



US00D485757S

(12) **United States Design Patent**
Roth et al.

(10) **Patent No.:** **US D485,757 S**

(45) **Date of Patent:** **** Jan. 27, 2004**

(54) **LID FOR A BOTTLE**

(74) *Attorney, Agent, or Firm*—Volpe and Koenig, P.C.

(76) Inventors: **Donna Roth**, 42 Tremont St., Duxbury, MA (US) 02332; **Henry Roth**, 42 Tremont St., Duxbury, MA (US) 02332

(57) **CLAIM**

We claim a new ornamental design for a lid for a bottle, as shown and described.

(**) Term: **14 Years**

DESCRIPTION

(21) Appl. No.: **29/180,775**

FIG. 1 is a perspective view of a lid for a bottle according to our new design;

(22) Filed: **Apr. 30, 2003**

FIG. 2 is a second perspective view of the lid for a bottle of FIG. 1;

(51) **LOC (7) Cl.** **09-07**

(52) **U.S. Cl.** **D9/443**

(58) **Field of Search** D9/443, 337, 435; 220/212, 212.5; 222/180; 215/399, 396; 248/339

FIG. 3 is a front elevational view of the lid for a bottle of FIG. 1;

FIG. 4 is a rear elevational view of the lid for bottle of FIG. 1;

(56) **References Cited**

U.S. PATENT DOCUMENTS

3,255,930 A	*	6/1966	Woodard	222/180
D271,746 S	*	12/1983	Pieri	D9/337
D311,139 S	*	10/1990	Butler	D9/443
D454,066 S	*	3/2002	Trabal	D9/443
D458,134 S	*	6/2002	Berish et al.	D9/443

FIG. 5 is a top plan view of the lid for a bottle of FIG. 1; FIG. 6 is a bottom plan view of the lid for a bottle of FIG. 1;

FIG. 7 is a right side elevational view of the lid for a bottle of FIG. 1; and,

FIG. 8 is a left side elevational view of the lid for a bottle of FIG. 1.

* cited by examiner

The broken lines in FIGS. 1 and 6 represent environment and are for illustrative purposes only and do not constitute part of the claimed design.

Primary Examiner—Ian Simmons
Assistant Examiner—Gregory Andoll

1 Claim, 2 Drawing Sheets

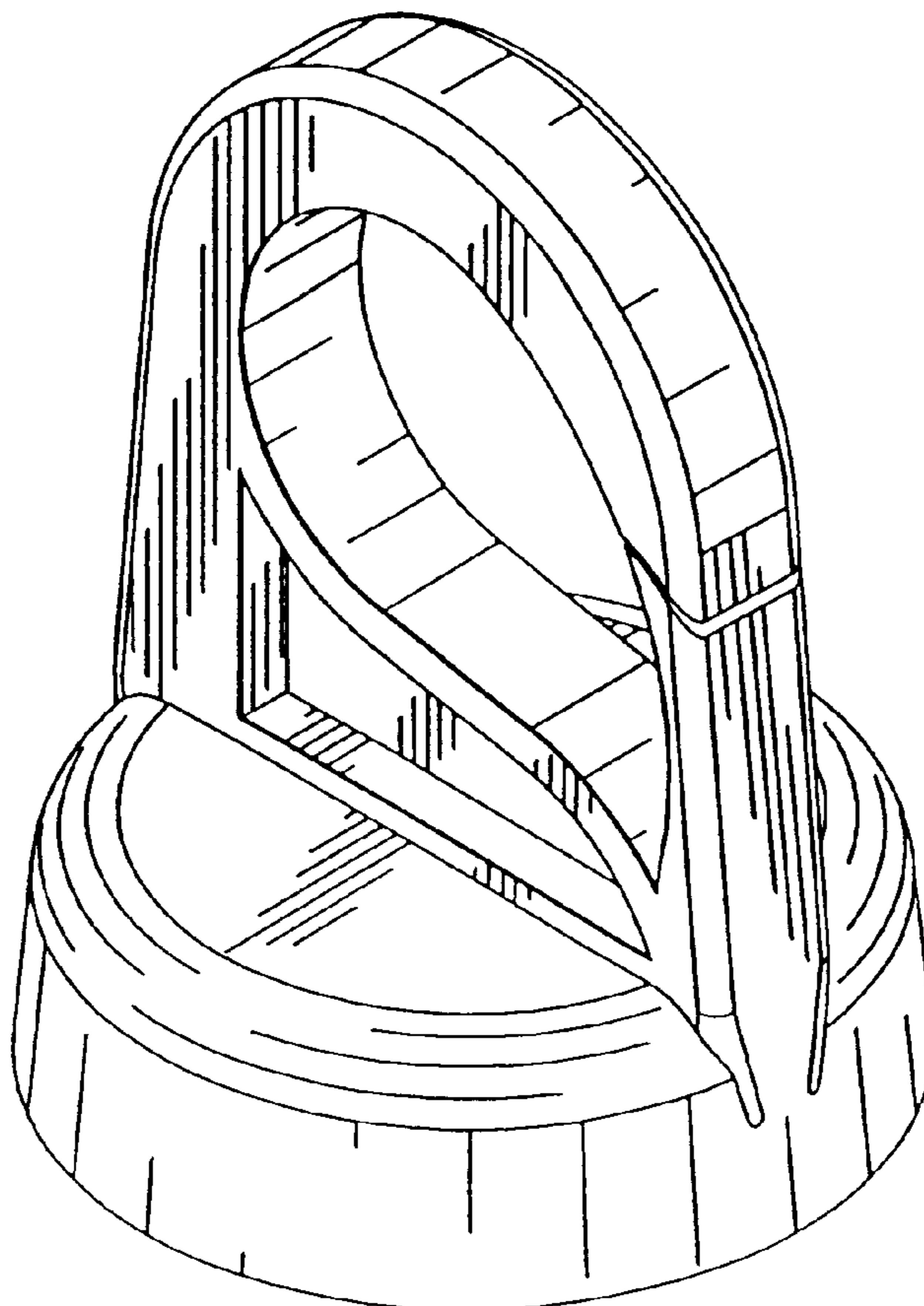


FIG. 1

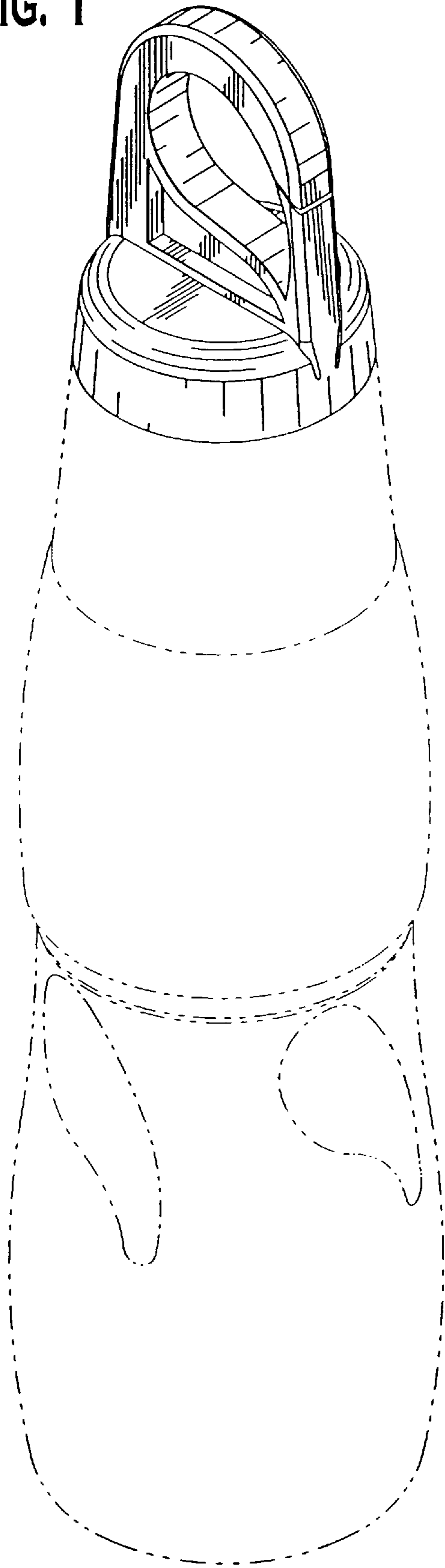


FIG. 2

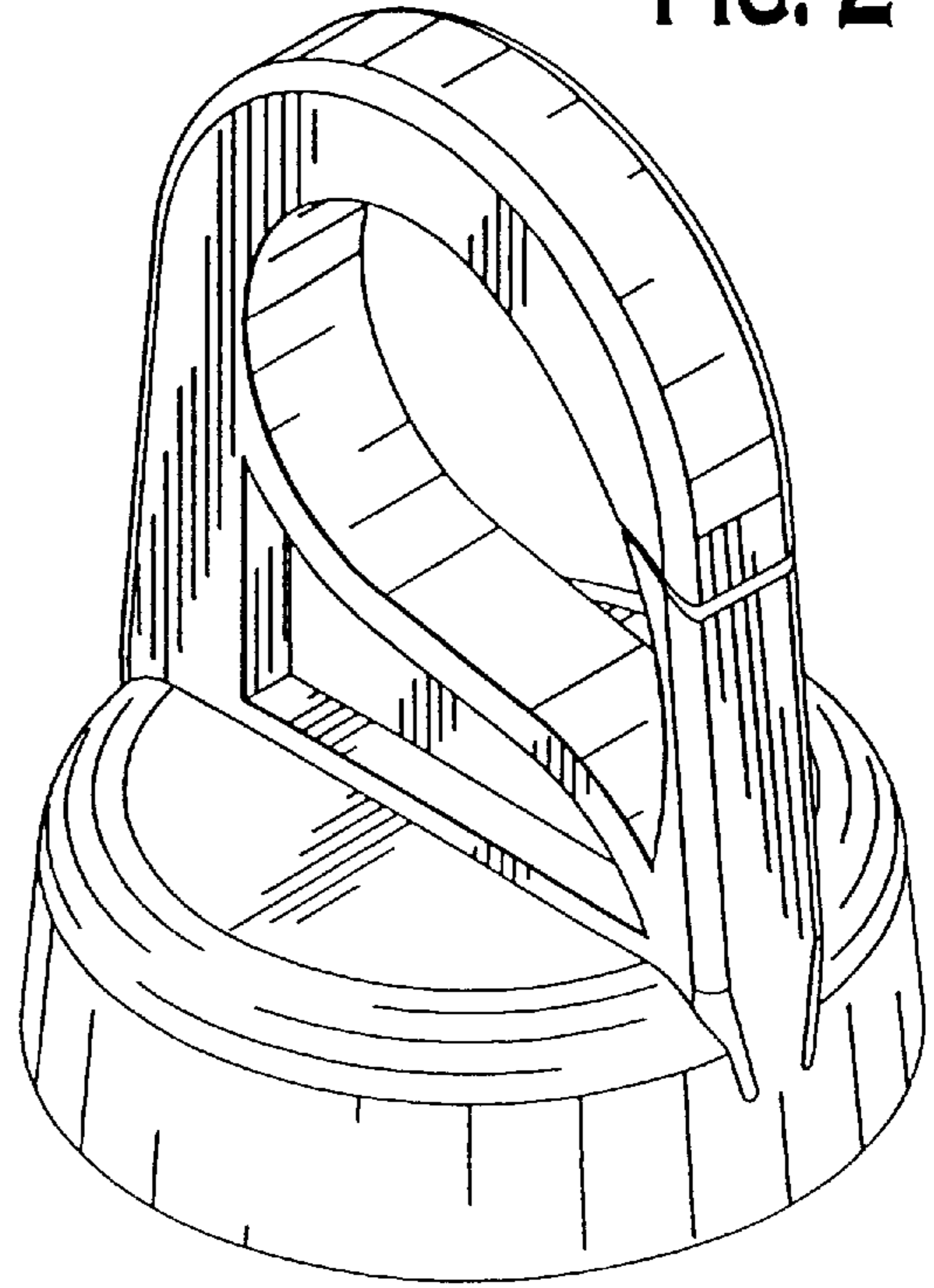
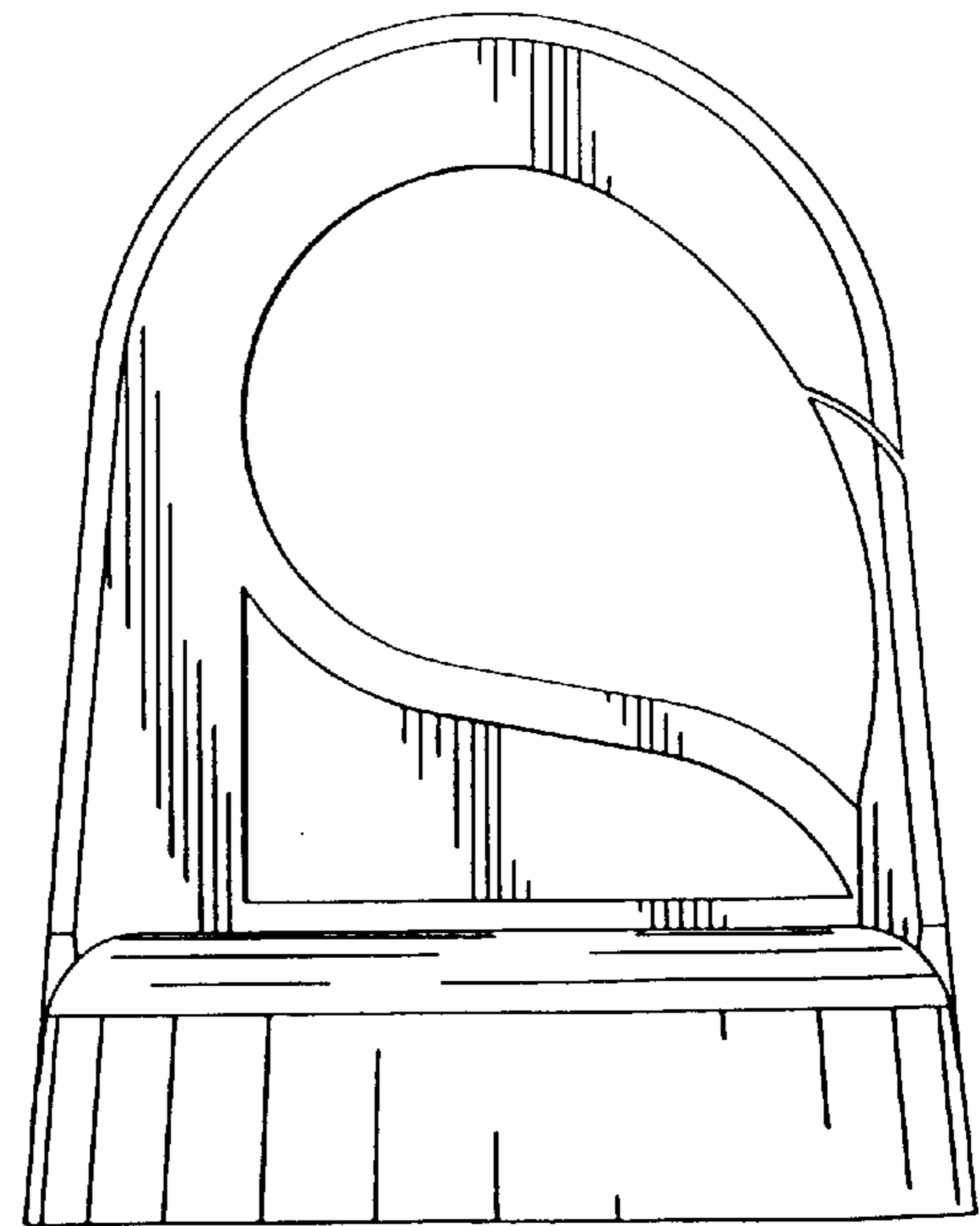


FIG. 3



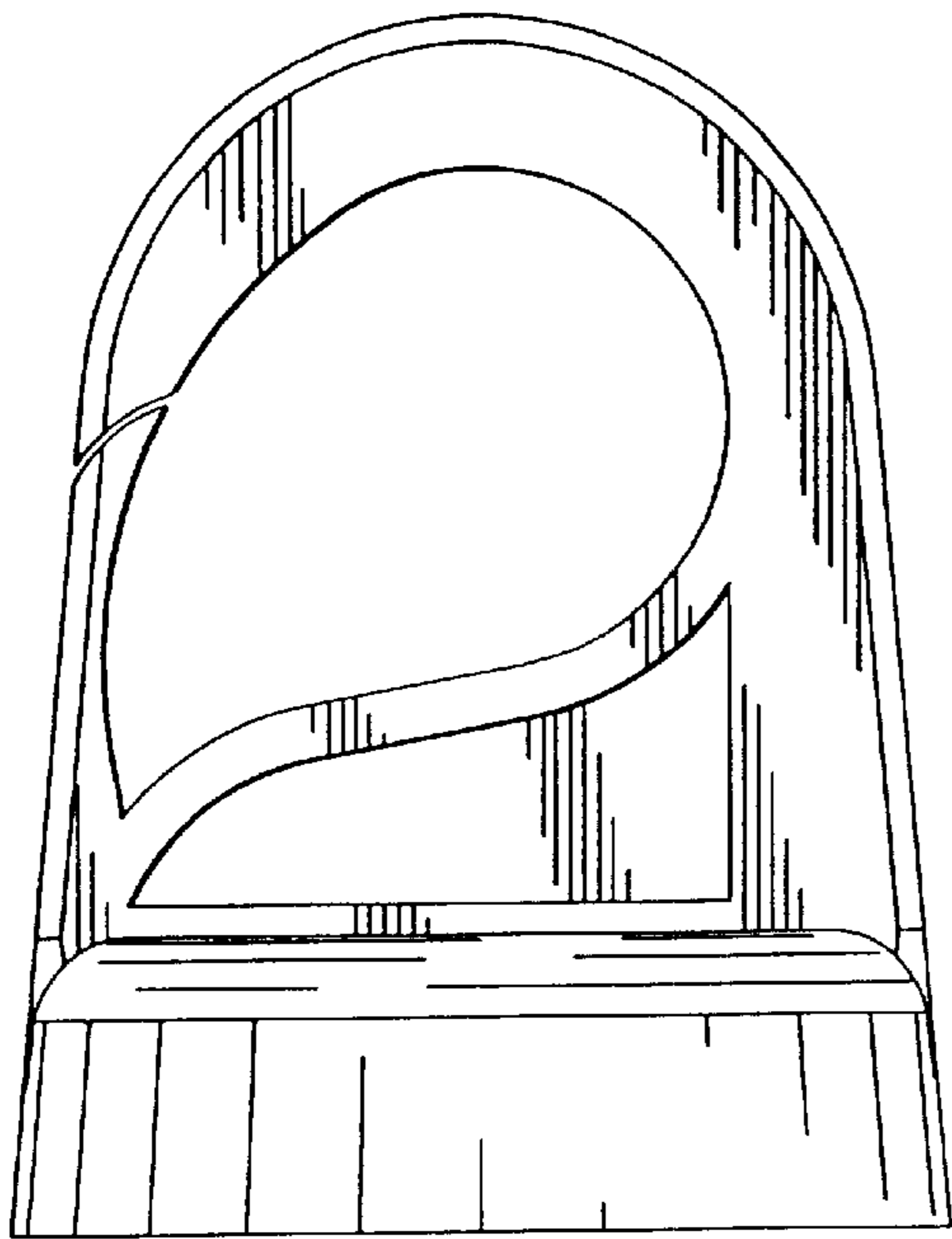


FIG. 4

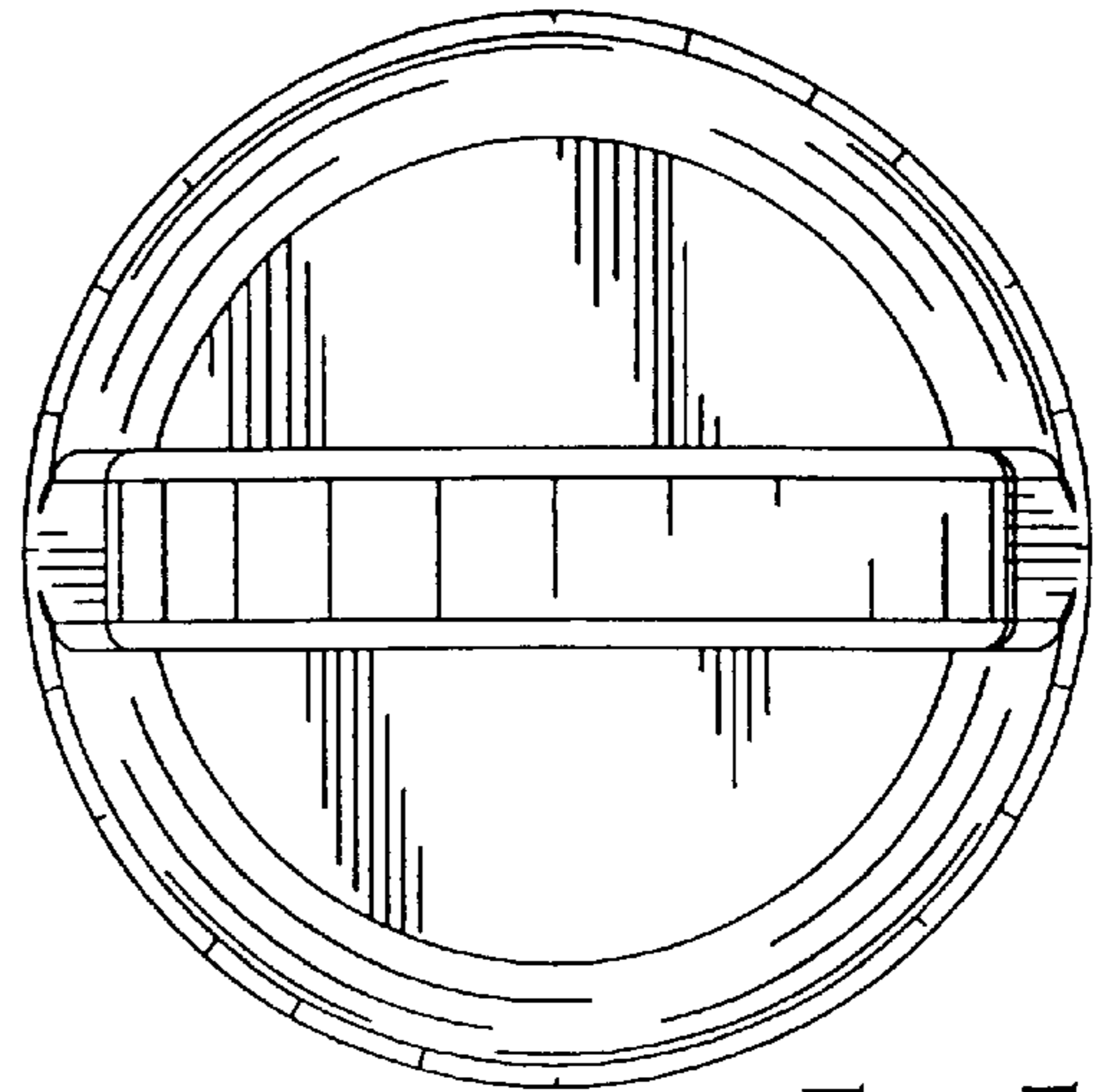


FIG. 5

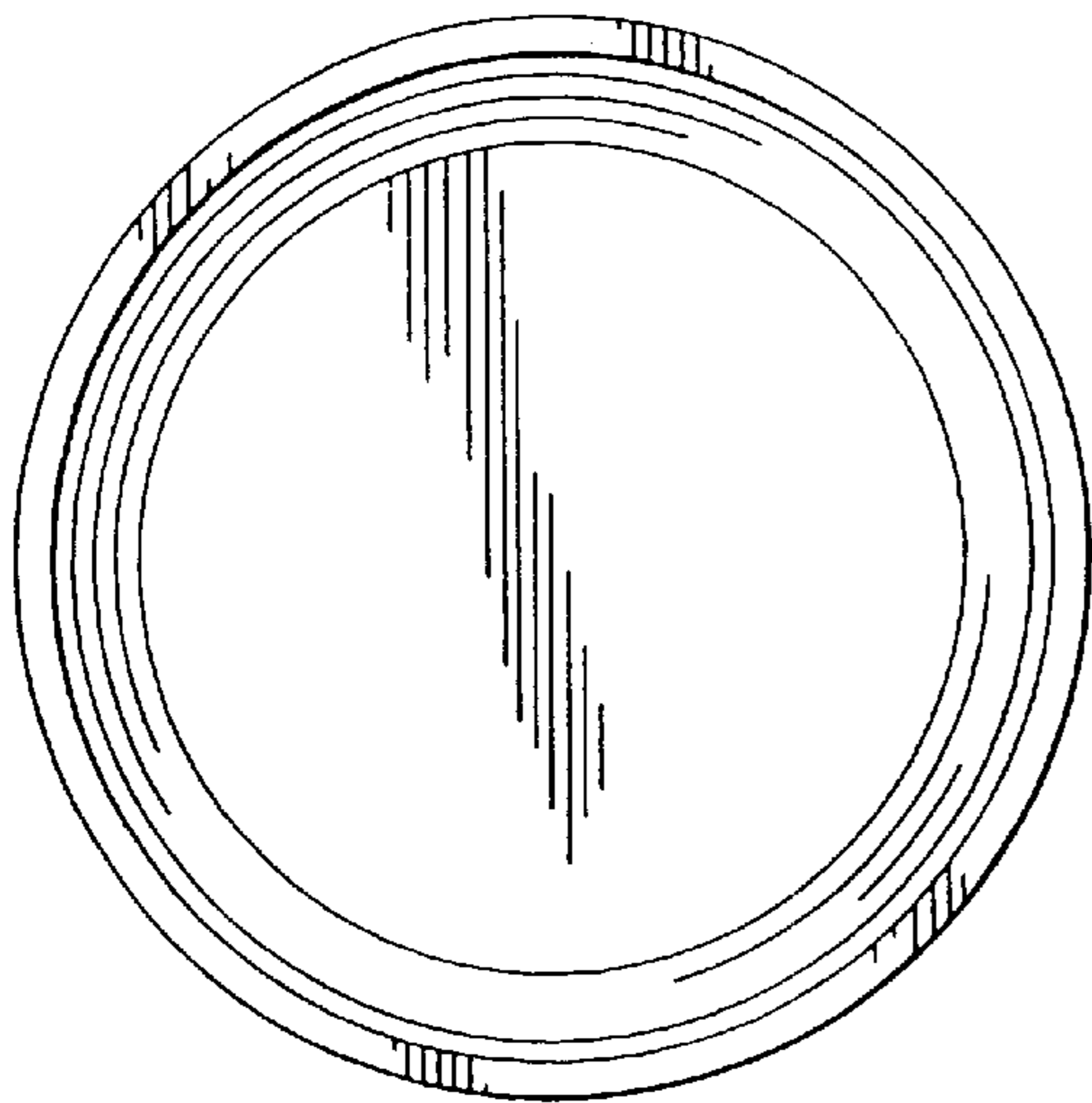


FIG. 6

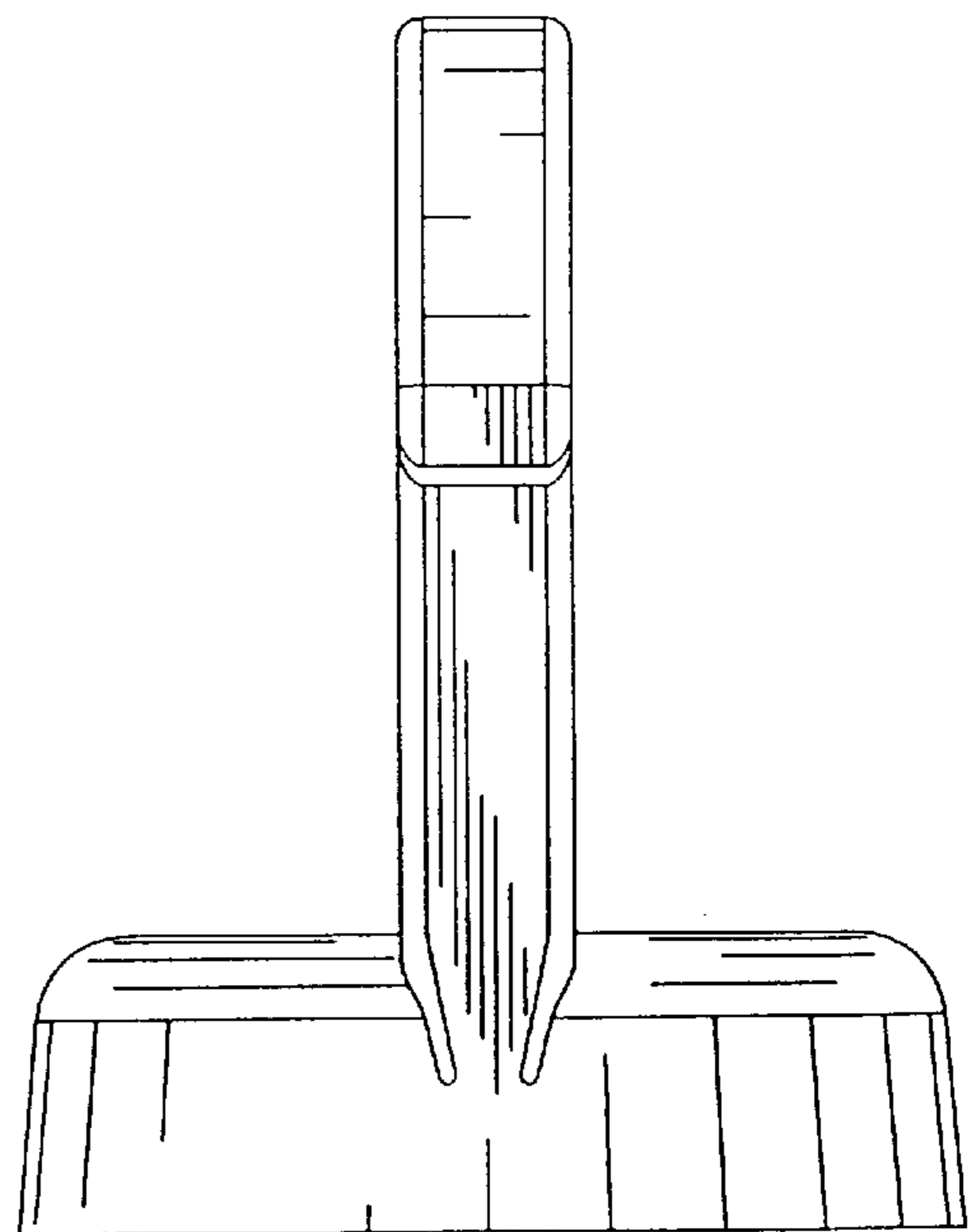


FIG. 7

FIG. 8

