



US00D485755S

(12) **United States Design Patent**  
**Isler et al.**

(10) **Patent No.: US D485,755 S**

(45) **Date of Patent: \*\* Jan. 27, 2004**

(54) **BAKING CONTAINER**

(75) Inventors: **Letsa R. Isler**, Waukegan, IL (US);  
**Matthew A. McCurdy**, Marysville, OH  
(US); **David J. Bulcher**, Powell, OH  
(US); **David C. Schiltz**, Columbus, OH  
(US)

(73) Assignee: **Pactiv Corporation**, Lake Forest, IL  
(US)

(\*\*) Term: **14 Years**

(21) Appl. No.: **29/179,792**

(22) Filed: **Apr. 15, 2003**

(51) **LOC (7) Cl. .... 09-03**

(52) **U.S. Cl. .... D9/425**

(58) **Field of Search** ..... D7/360, 629; D9/414,  
D9/424, 425, 430, 431, 432, 499; 206/557,  
564, 515, 518, 503, 525, 527; 220/573.1,  
574, 660, 669, 670, 675; 229/406, 407,  
902, 903, 906, 915, 919

(56) **References Cited**

**U.S. PATENT DOCUMENTS**

1,926,240 A	9/1933	Maas	63/1
2,170,040 A	8/1939	Stuart	53/6
D194,166 S	* 11/1962	Ringlen	D9/425
3,082,900 A	3/1963	Goodman	220/15
D195,375 S	* 6/1963	Bostrom	D9/425
D197,584 S	2/1964	Neucher	D58/12.6
D198,764 S	* 7/1964	Bostrom	D9/425
3,154,215 A	10/1964	Vesconte	220/97
3,191,796 A	6/1965	Schwartz et al.	220/23.6
3,229,886 A	1/1966	Grogel	229/3.5
3,233,812 A	2/1966	Kennedy	229/2.5
3,253,762 A	5/1966	Gaunt	229/2.5
D209,605 S	12/1967	Zoeller et al.	D44/1
D214,832 S	* 8/1969	Bloch et al.	D9/425
D225,512 S	* 12/1972	Cyr et al.	D9/341
D226,775 S	4/1973	Jones	D7/2
D229,036 S	* 11/1973	Joonase	D9/425
3,811,560 A	5/1974	Schilling et al.	206/4

3,840,115 A	10/1974	Ladewig	206/506
D235,302 S	6/1975	Lanigan	D7/1
D250,929 S	1/1979	Gerstman et al.	D7/28
4,183,435 A	1/1980	Thompson et al.	206/557
4,234,097 A	11/1980	Daenen	220/4
4,294,371 A	10/1981	Davis	220/4
D275,636 S	9/1984	Picozza	D7/40
D276,216 S	11/1984	Michaud	D9/425
D280,589 S	9/1985	Bassett	D7/360
D280,590 S	9/1985	Schrage	D7/360
D280,591 S	9/1985	Schrage	D7/360
D282,520 S	2/1986	Schrage	D7/360
4,616,762 A	10/1986	Alexander	220/74
4,623,088 A	11/1986	Holden	229/2.5
D287,104 S	12/1986	Holden	D9/425
D288,295 S	2/1987	Holden	D9/425
4,742,934 A	5/1988	Machaud et al.	220/306
D296,191 S	6/1988	Yoshida et al.	D9/425
4,753,351 A	6/1988	Guillin	206/520
D307,395 S	4/1990	Borst	D9/428
D307,716 S	* 5/1990	Fitzloff et al.	D9/424

(List continued on next page.)

**OTHER PUBLICATIONS**

Ekcotherm Specification; 2 pages.

*Primary Examiner*—Nanda Bondade

*Assistant Examiner*—Daniel Bui

(74) *Attorney, Agent, or Firm*—Jenkins & Gilchrist

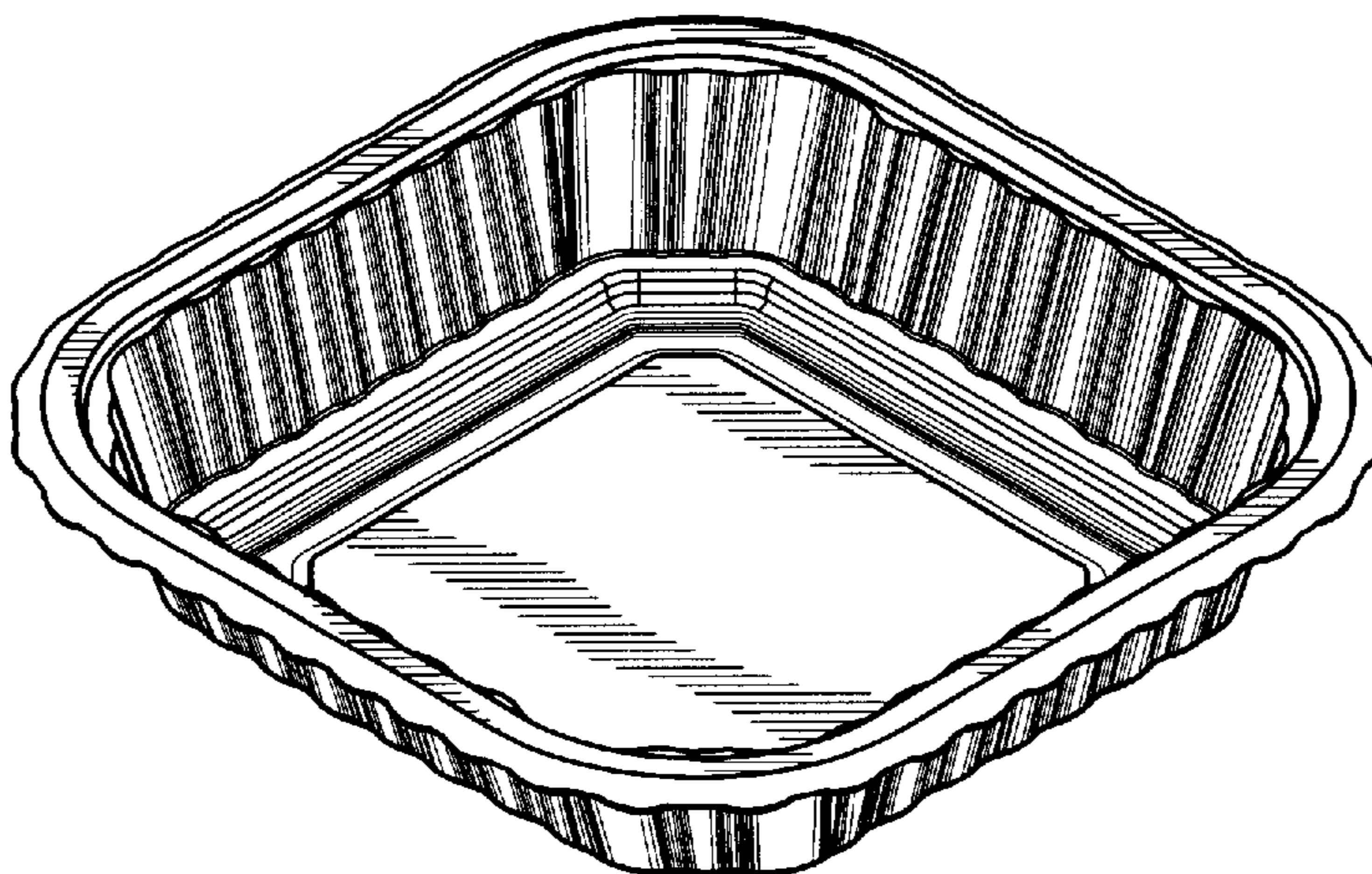
(57) **CLAIM**

The ornamental design for a baking container, as shown.

**DESCRIPTION**

FIG. 1 is a perspective view of a baking container.  
FIG. 2 is a top plan view of the baking container of FIG. 1.  
FIG. 3 is a bottom plan view of the baking container of FIG. 1.  
FIG. 4 is a side elevational view of the baking container of FIG. 1, the opposite side being identical thereto; and,  
FIG. 5 is an end elevational view of the baking container of FIG. 1, the opposite end being identical thereto.

**1 Claim, 1 Drawing Sheet**



# US D485,755 S

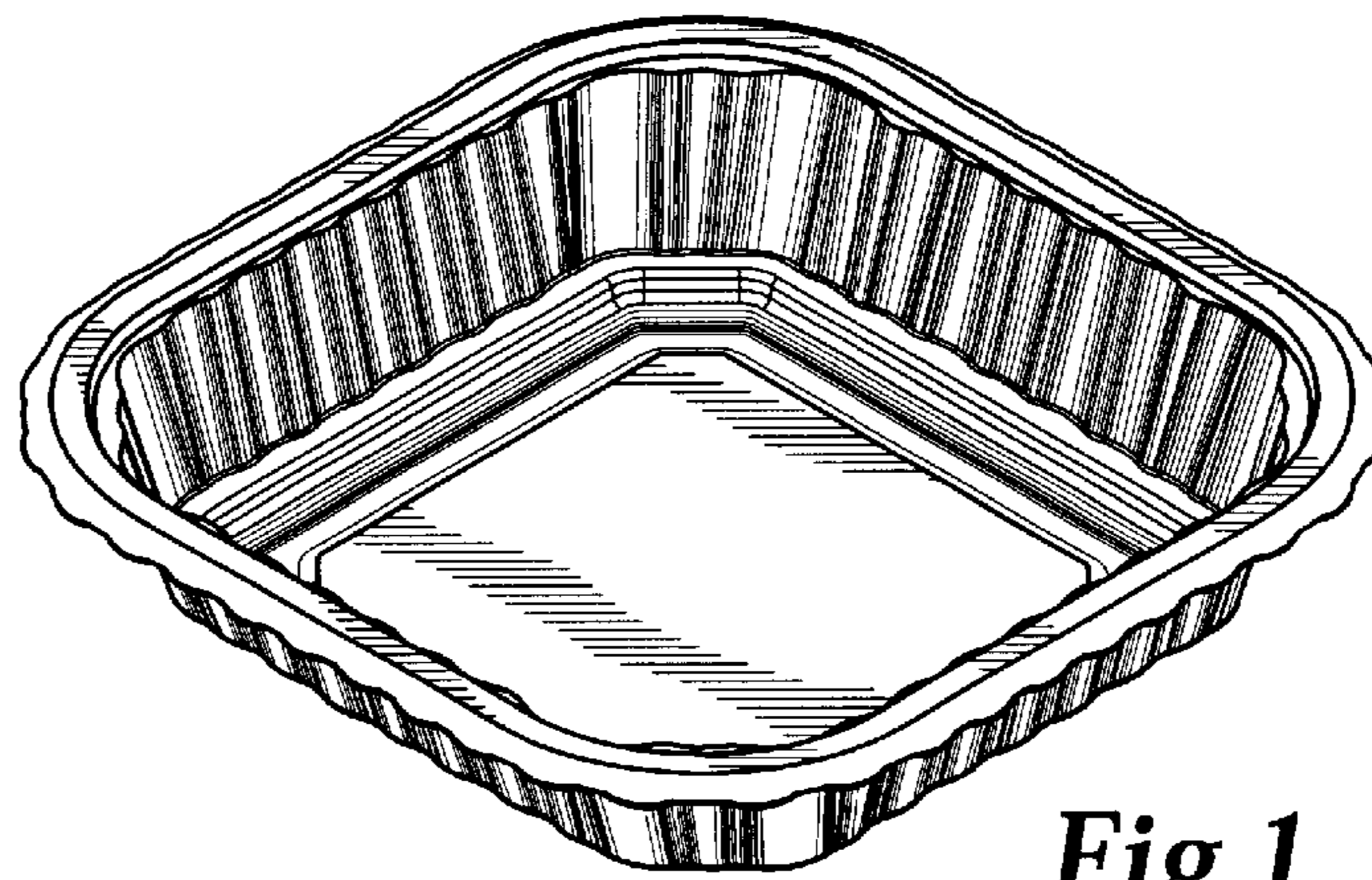
Page 2

---

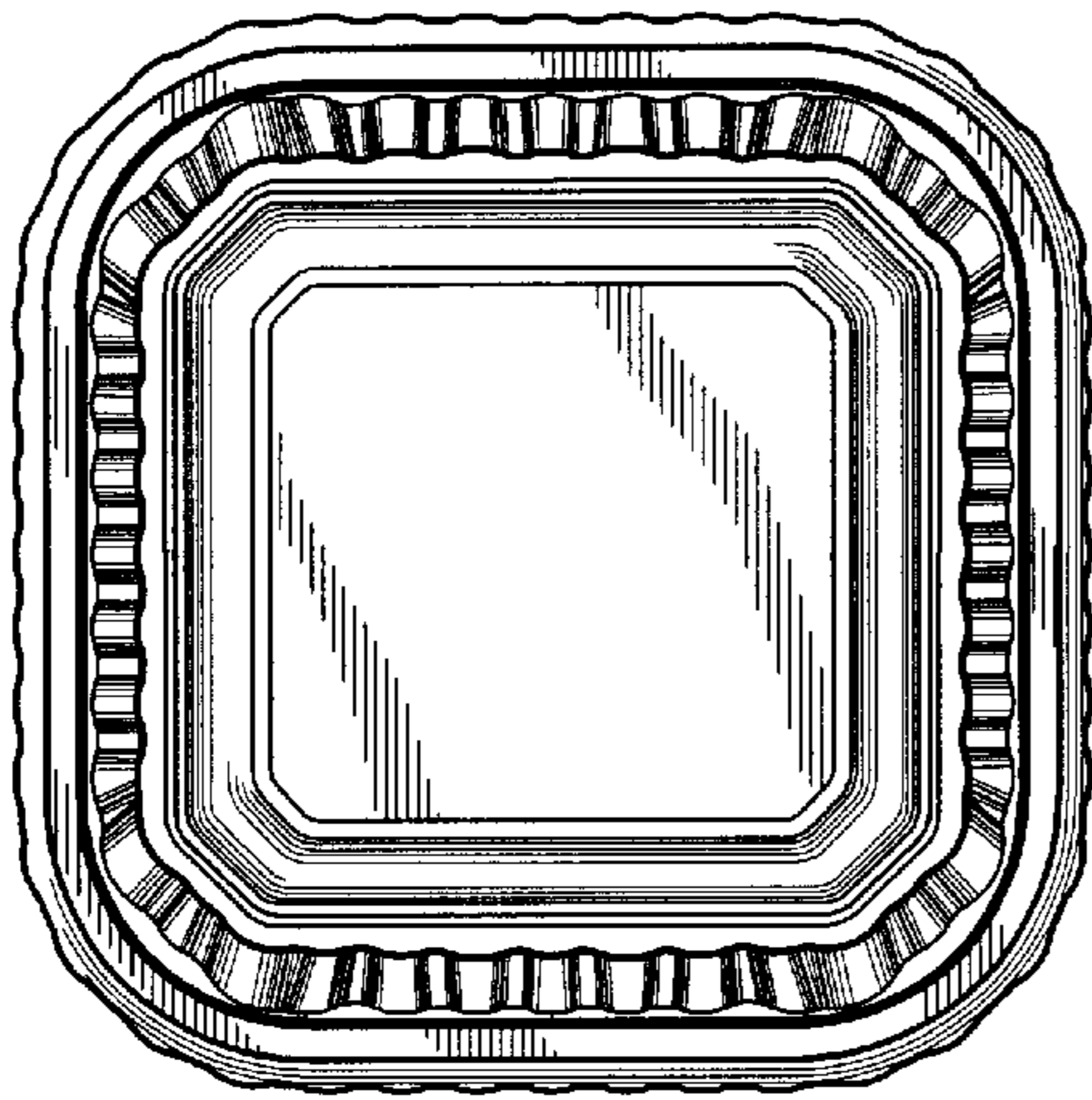
## U.S. PATENT DOCUMENTS

5,050,791 A	9/1991	Bowden et al. ....	229/2.5	D392,881 S	3/1998	Bulcher et al. ....	D9/425
D333,944 S	3/1993	Denzin et al. ....	D7/554	D392,884 S	3/1998	Hayes .....	D9/431
5,204,179 A	4/1993	Baker et al. ....	428/336	D402,850 S	* 12/1998	Davis et al. ....	D7/545
D348,608 S	7/1994	Wyslotsky .....	D9/425	D404,257 S	1/1999	Indekeu .....	D7/585
5,423,453 A	6/1995	Fritz .....	220/608	D404,258 S	1/1999	Indekeu .....	D7/585
5,515,993 A	5/1996	McManus .....	220/339	D404,614 S	1/1999	Indekeu .....	D7/588
D374,819 S	* 10/1996	Wells .....	D9/425	D429,961 S	8/2000	Harris .....	D7/540
D375,652 S	11/1996	Hayes .....	D7/354	6,149,053 A	11/2000	Chatterton et al. ....	229/407
D382,796 S	8/1997	Mangla .....	D9/429	D461,123 S	8/2002	Hayes et al. ....	D9/429
D386,081 S	11/1997	Hayes et al. ....	D9/425	D475,620 S	* 6/2003	Chen et al. ....	D9/425

\* cited by examiner



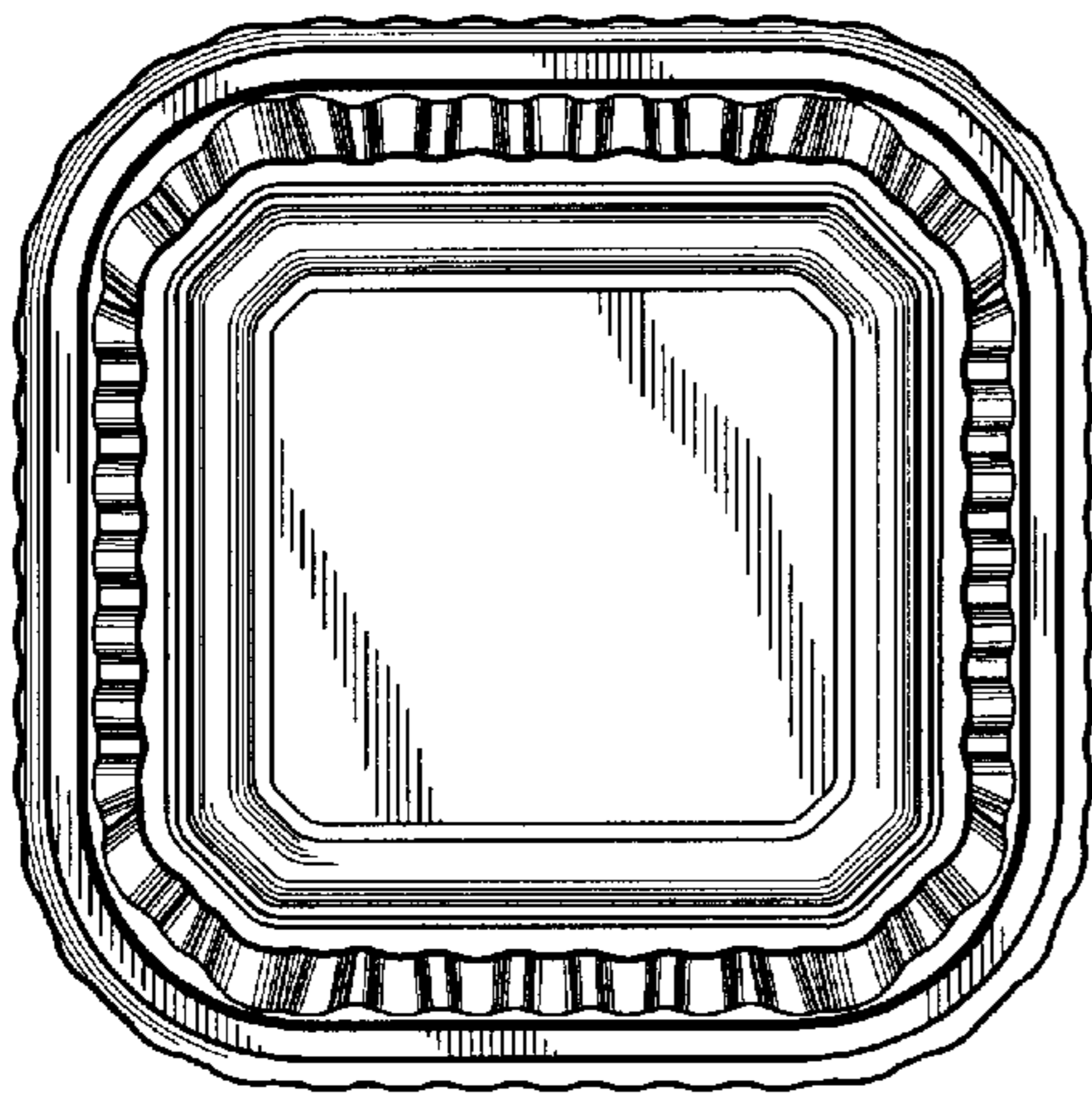
*Fig.1*



*Fig.2*



*Fig.4*



*Fig.3*



*Fig.5*