



US00D485749S

(12) **United States Design Patent**  
**Zaksenberg et al.**

(10) **Patent No.:** **US D485,749 S**  
(45) **Date of Patent:** **\*\* Jan. 27, 2004**

(54) **DISPENSER**

(75) Inventors: **Issac Zaksenberg**, Scotch Plains, NJ  
(US); **Christopher Miller**, Flemington,  
NJ (US)

(73) Assignee: **Colgate-Palmolive Company**, New  
York, NY (US)

(\*\*) Term: **14 Years**

(21) Appl. No.: **29/158,028**

(22) Filed: **Mar. 28, 2002**

(51) **LOC (7) Cl.** ..... **09-01**

(52) **U.S. Cl.** ..... **D9/338**

(58) **Field of Search** ..... D9/337, 338, 493,  
D9/404, 574, 414, 418, 424, 430, 499;  
206/38, 528, 529, 540, 438, 37, 1.5, 524.1,  
527, 815; 220/660, 669, 675, 890, DIG. 12-14;  
221/154, 210, 156, 186, 190, 199, 303,  
306; 222/173, 343, 498; D28/66

(56) **References Cited**

**U.S. PATENT DOCUMENTS**

D358,093 S \* 5/1995 Lanteigne et al. .... D9/430  
D373,725 S \* 9/1996 Weil ..... D9/422

D399,604 S \* 10/1998 Wolff ..... D28/66  
D410,114 S \* 5/1999 Carabello ..... D28/66  
D430,022 S \* 8/2000 Goettner ..... D9/416  
D432,911 S \* 10/2000 Clarke et al. .... D9/415  
D433,940 S \* 11/2000 Lindsay et al. .... D9/424  
D446,718 S \* 8/2001 Anderson ..... D9/422  
D465,729 S \* 11/2002 Nishimura ..... D9/422

\* cited by examiner

*Primary Examiner*—Adir Aronovich

*Assistant Examiner*—Daniel Bui

(74) *Attorney, Agent, or Firm*—Michael J. McGreal

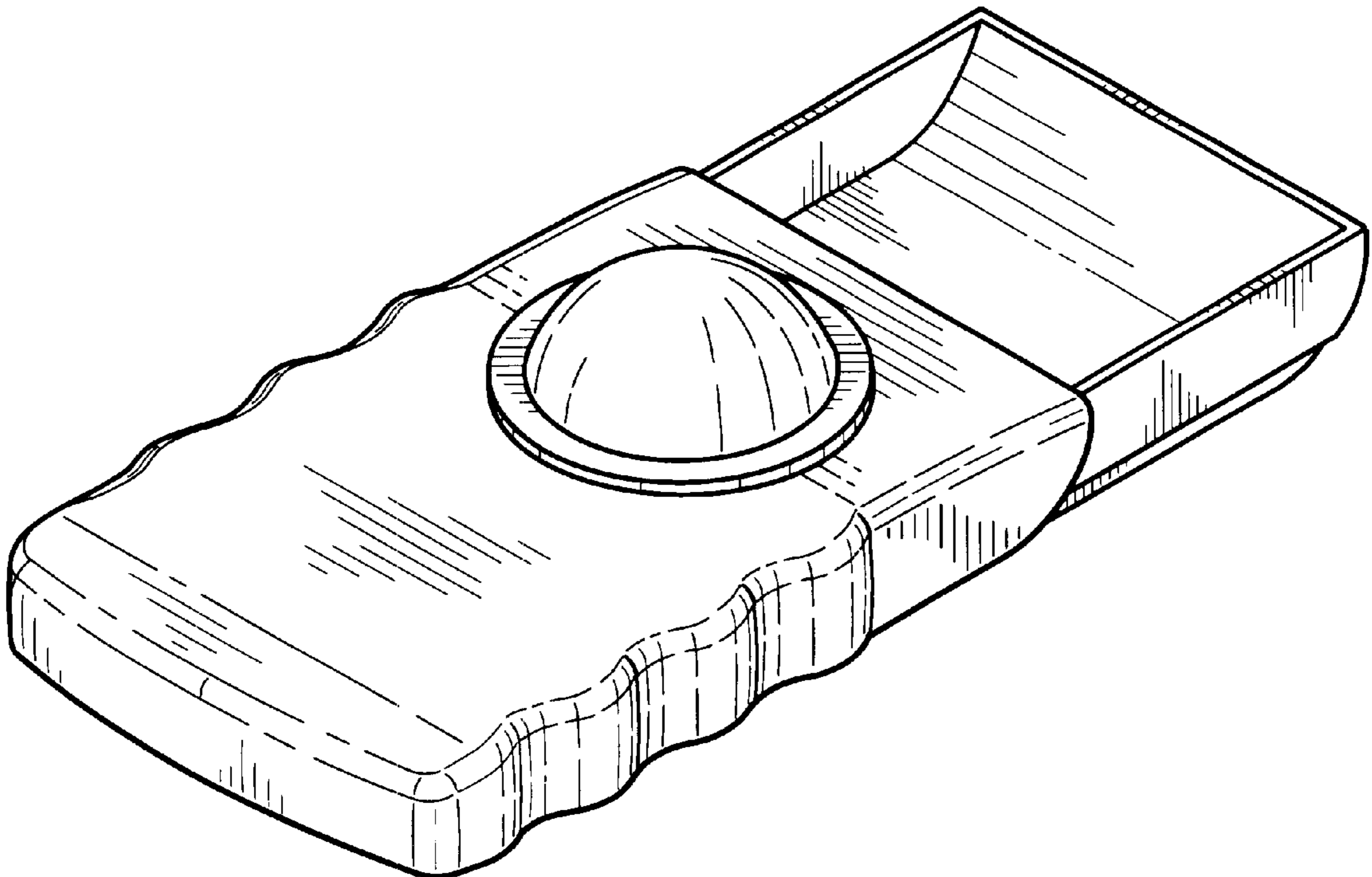
(57) **CLAIM**

The ornamental design for a dispenser, as shown and described.

**DESCRIPTION**

FIG. 1 is a perspective view of the dispenser of our design.  
FIG. 2 is a right side elevation view thereof.  
FIG. 3 is a left side elevation view thereof.  
FIG. 4 is a rear elevation view thereof.  
FIG. 5 is a front elevation view thereof.  
FIG. 6 is a top plan view thereof.  
FIG. 7 is a bottom plan view thereof; and,  
FIG. 8 is a perspective view of the dispenser opened.

**1 Claim, 3 Drawing Sheets**



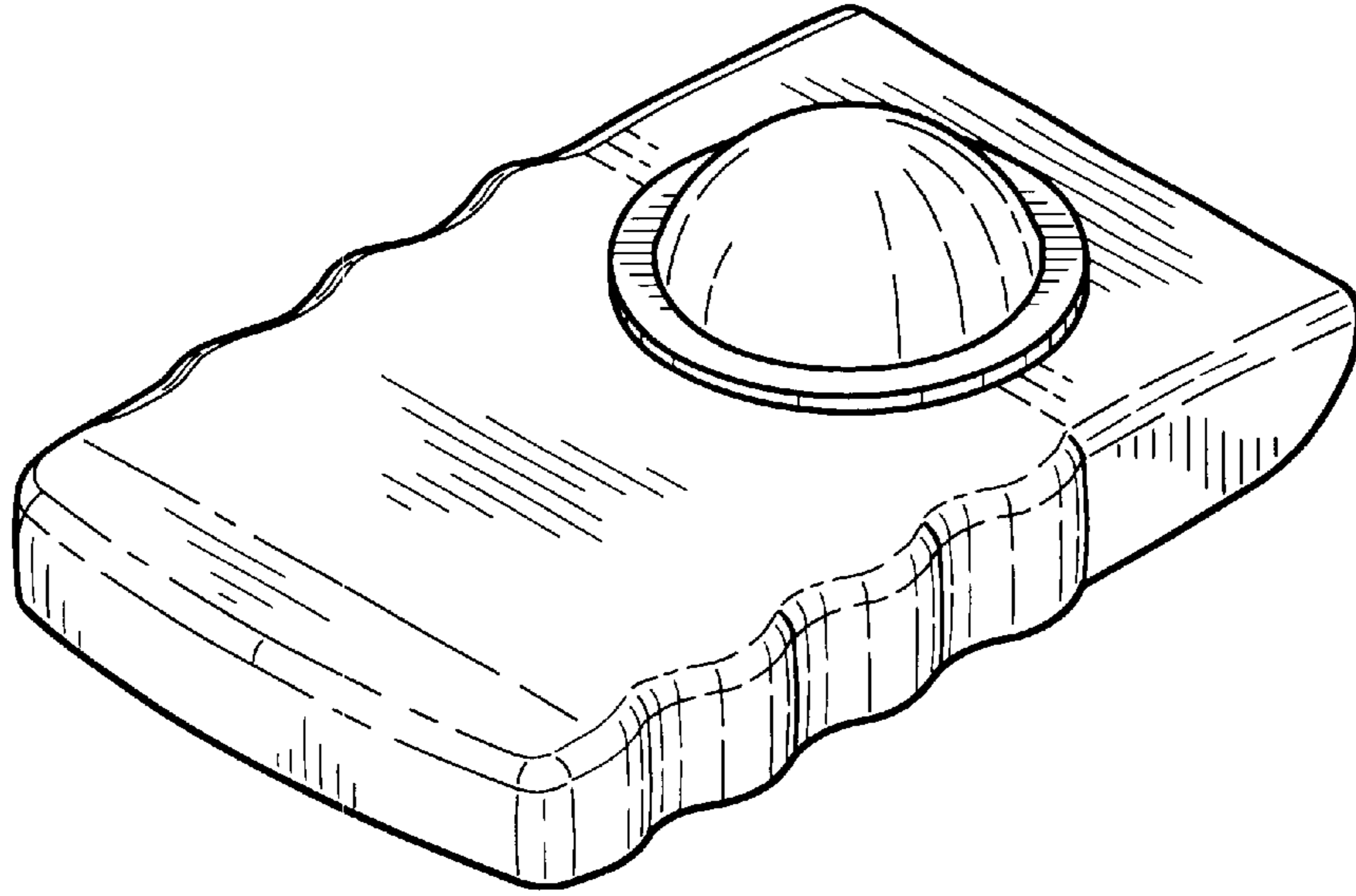


FIG. 1

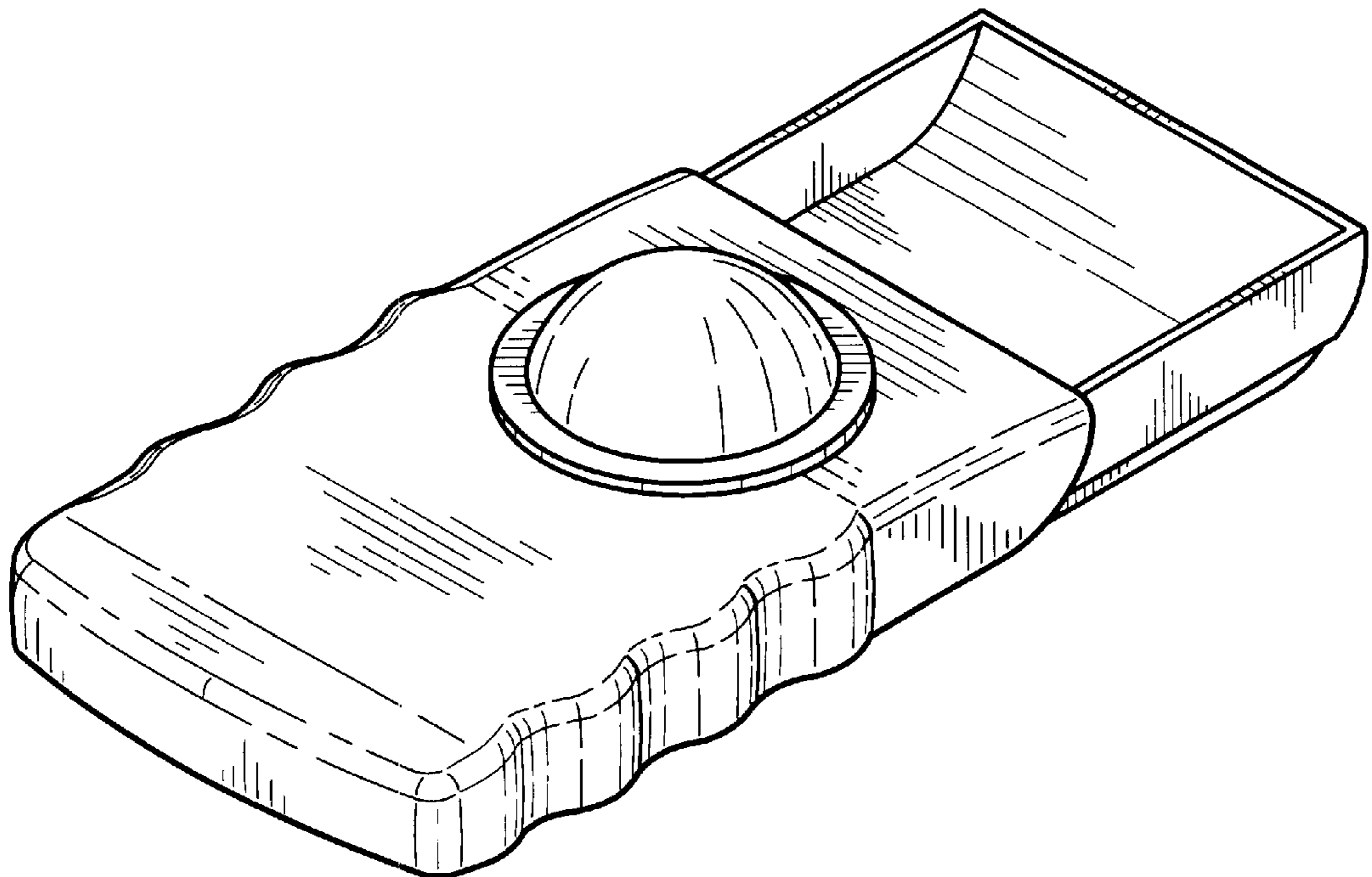


FIG. 8

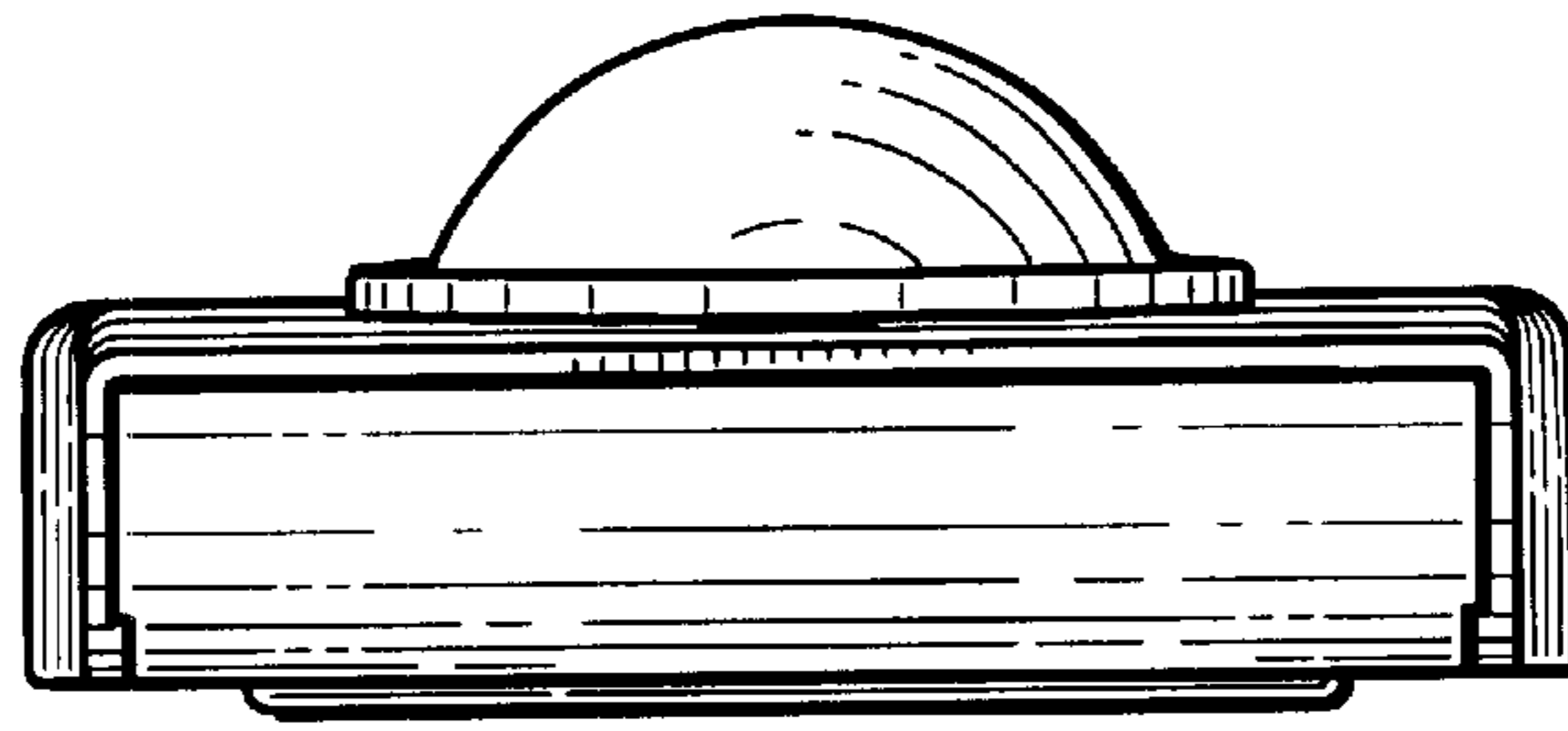


FIG. 2

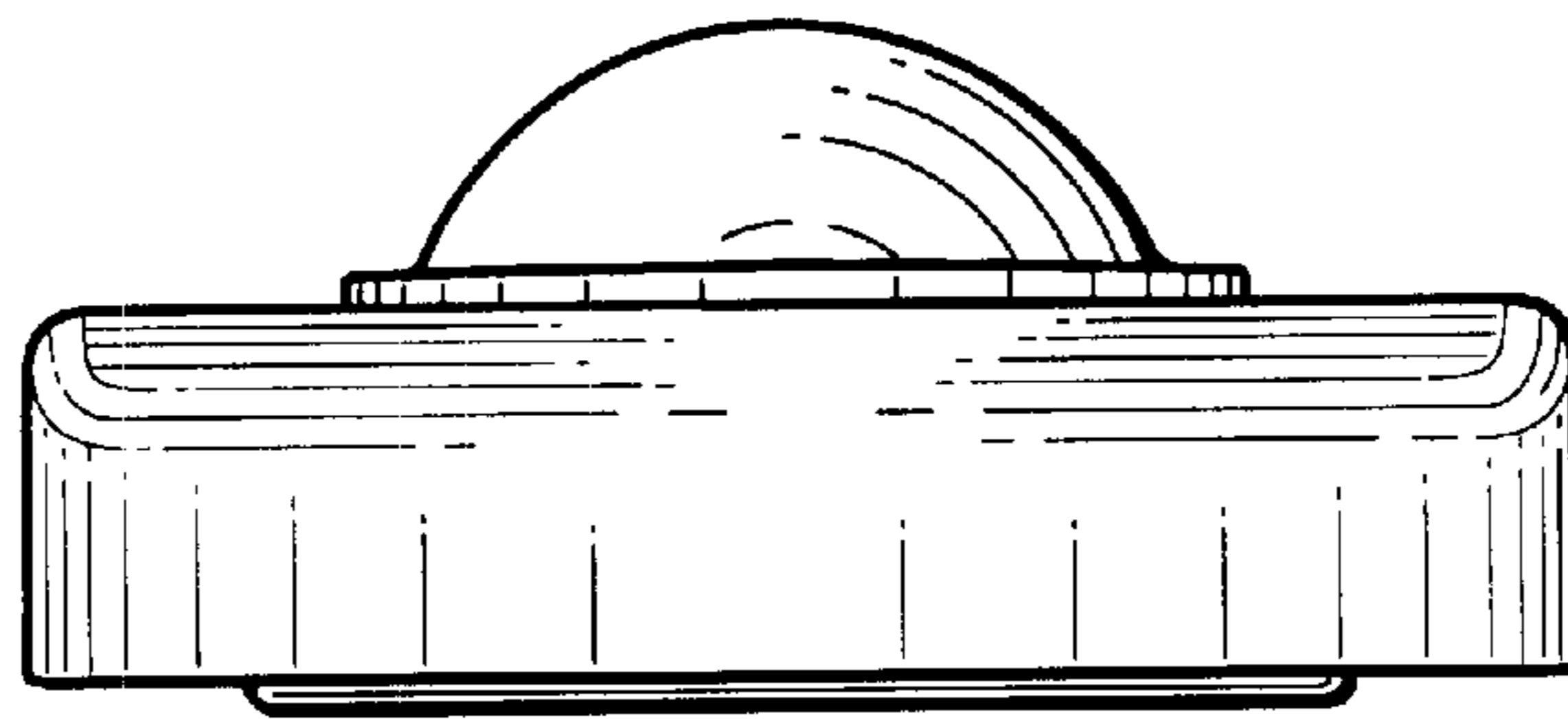


FIG. 3

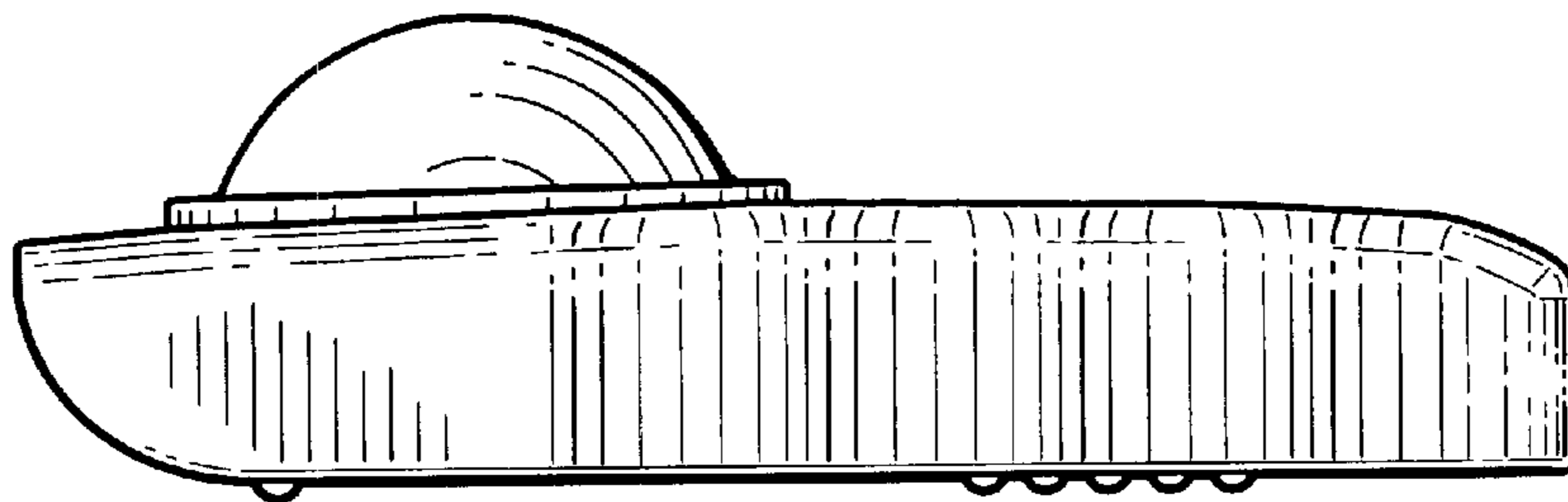


FIG. 4

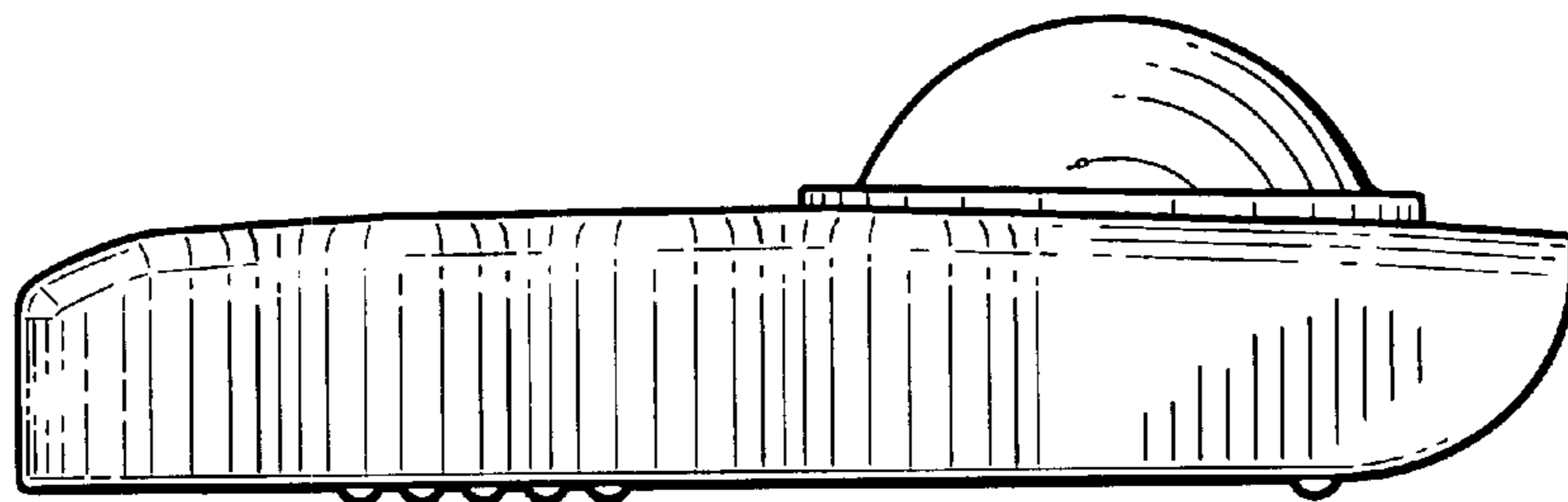


FIG. 5

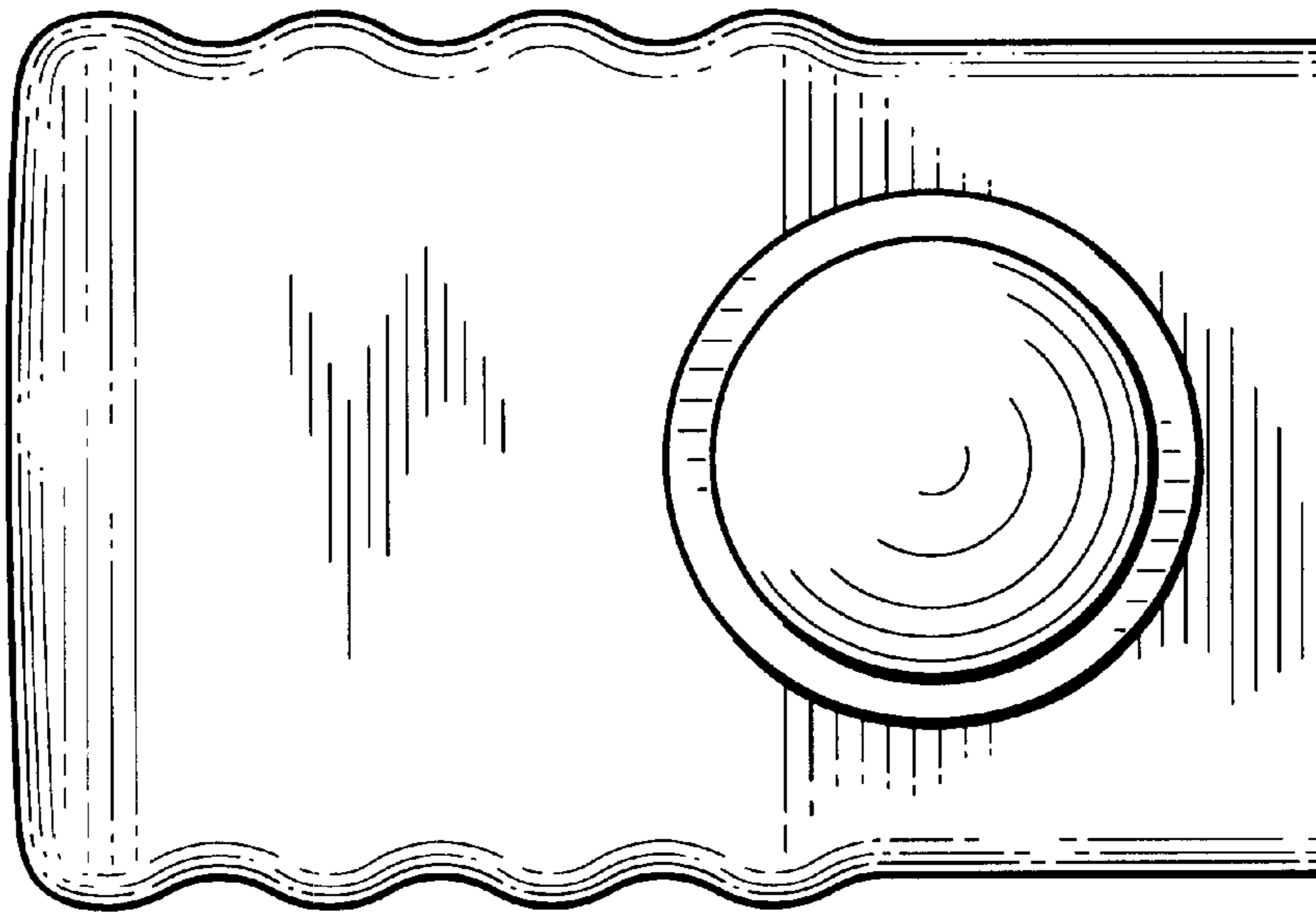


FIG. 6

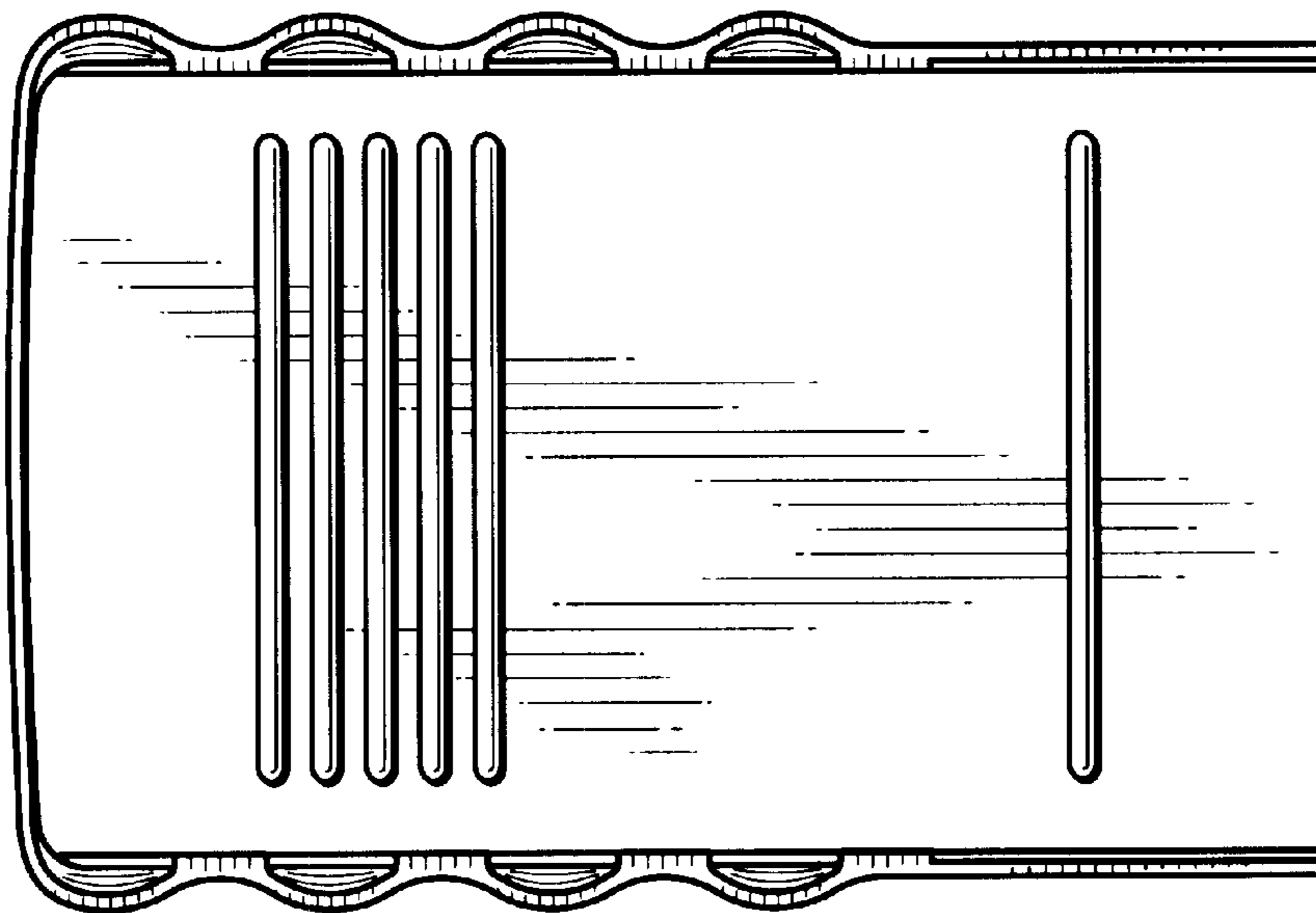


FIG. 7