



US00D485746S

(12) **United States Design Patent**
Abraham et al.

(10) **Patent No.:** **US D485,746 S**

(45) **Date of Patent:** **** Jan. 27, 2004**

(54) **BLOCKS FOR ELEVATING A BED**

(76) Inventors: **Gary R. Abraham**, 3002 Dow Ave.,
Suite 510, Tustin, CA (US) 92780;
Edward A. Abraham, 3002 Dow Ave.,
Suite 510, Tustin, CA (US) 92780;
Mark McKenzie, 3002 Dow Ave.,
Suite 510, Tustin, CA (US) 92780

(**) Term: **14 Years**

(21) Appl. No.: **29/174,710**

(22) Filed: **Jan. 23, 2003**

(51) **LOC (7) Cl.** **08-08**

(52) **U.S. Cl.** **D8/374**

(58) **Field of Search** D8/374; 5/658,
5/663; 248/346.11, 188.2, 509.1; D7/368.1

(56) **References Cited**

U.S. PATENT DOCUMENTS

- 1,981,627 A * 11/1934 Merriman 248/346.11
- 2,893,164 A * 7/1959 Martin 248/188.2
- 2,933,850 A * 4/1960 Martin 248/188.2

* cited by examiner

Primary Examiner—Holly Baynham
(74) *Attorney, Agent, or Firm*—Eric K. Satermo

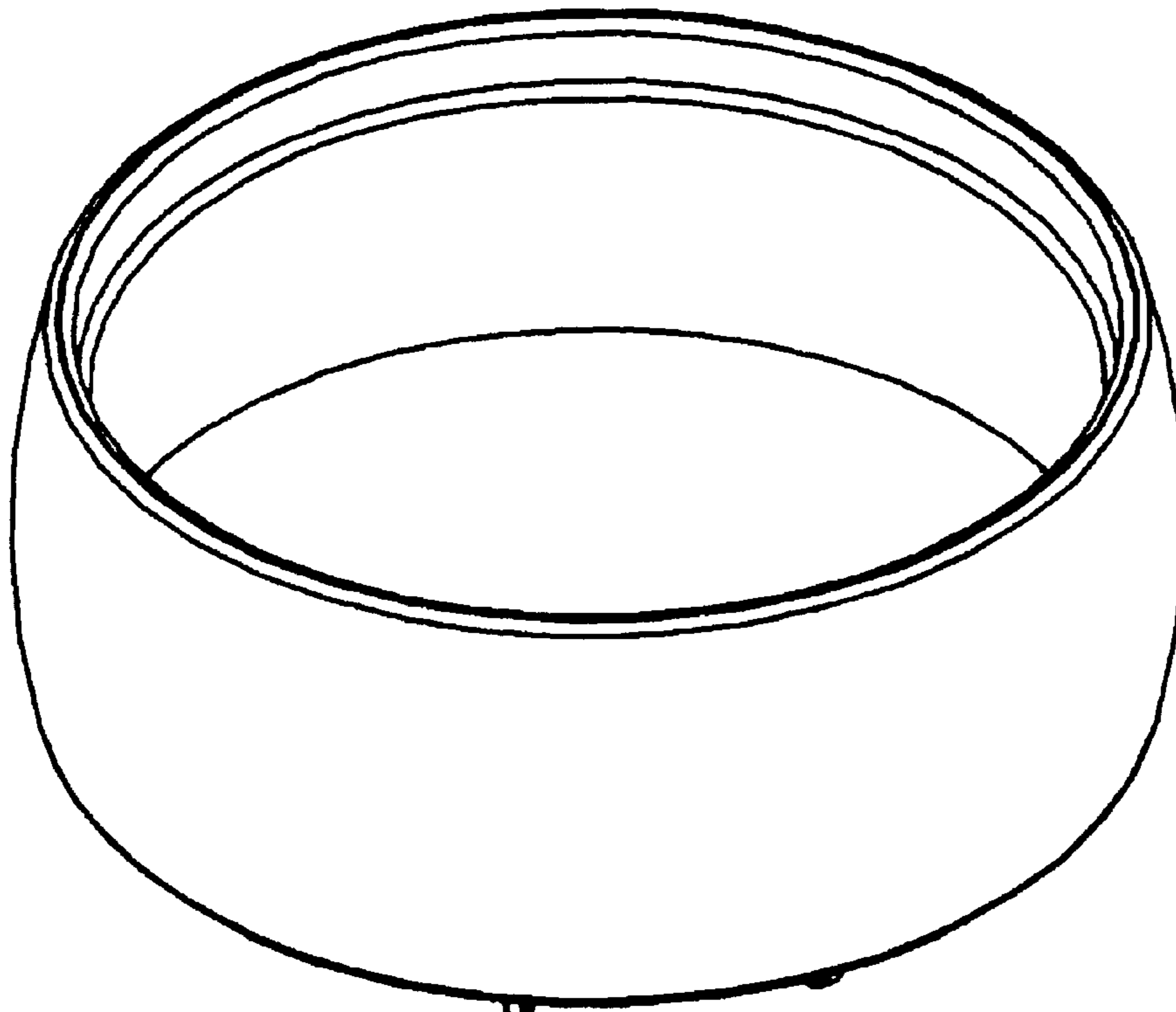
(57) **CLAIM**

The ornamental design of blocks for elevating a bed, as shown and described.

DESCRIPTION

FIG. 1 is a perspective view of a block for elevating a bed in accordance with the present invention;
 FIG. 2 is a top view of a block for elevating a bed;
 FIG. 3 is a bottom view of a block for elevating a bed;
 FIG. 4 is a side view of a block for elevating a bed;
 FIG. 5 is a side view of a second embodiment of the blocks for elevating a bed;
 FIG. 6 is a side view of two stacked blocks that are connected together;
 FIG. 7 is a side view of a third embodiment of the blocks for elevating a bed; and,
 FIG. 8 is a side view of three stacked blocks that are connected together.
 The appearance of the bottom and top plan views of the second and third embodiments are identical in appearance to the bottom and top plan views of the first embodiment.

1 Claim, 4 Drawing Sheets



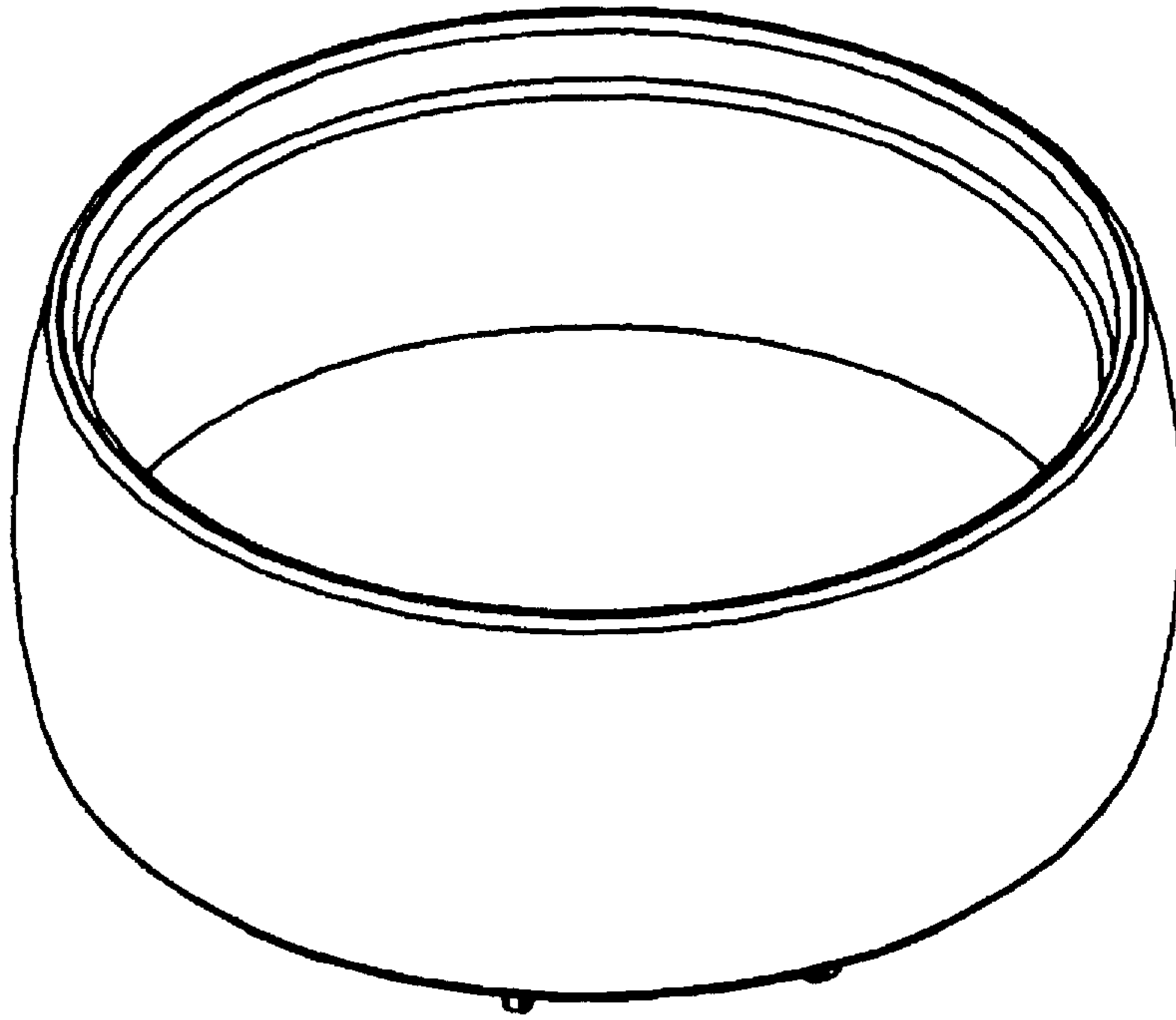


FIG. 1

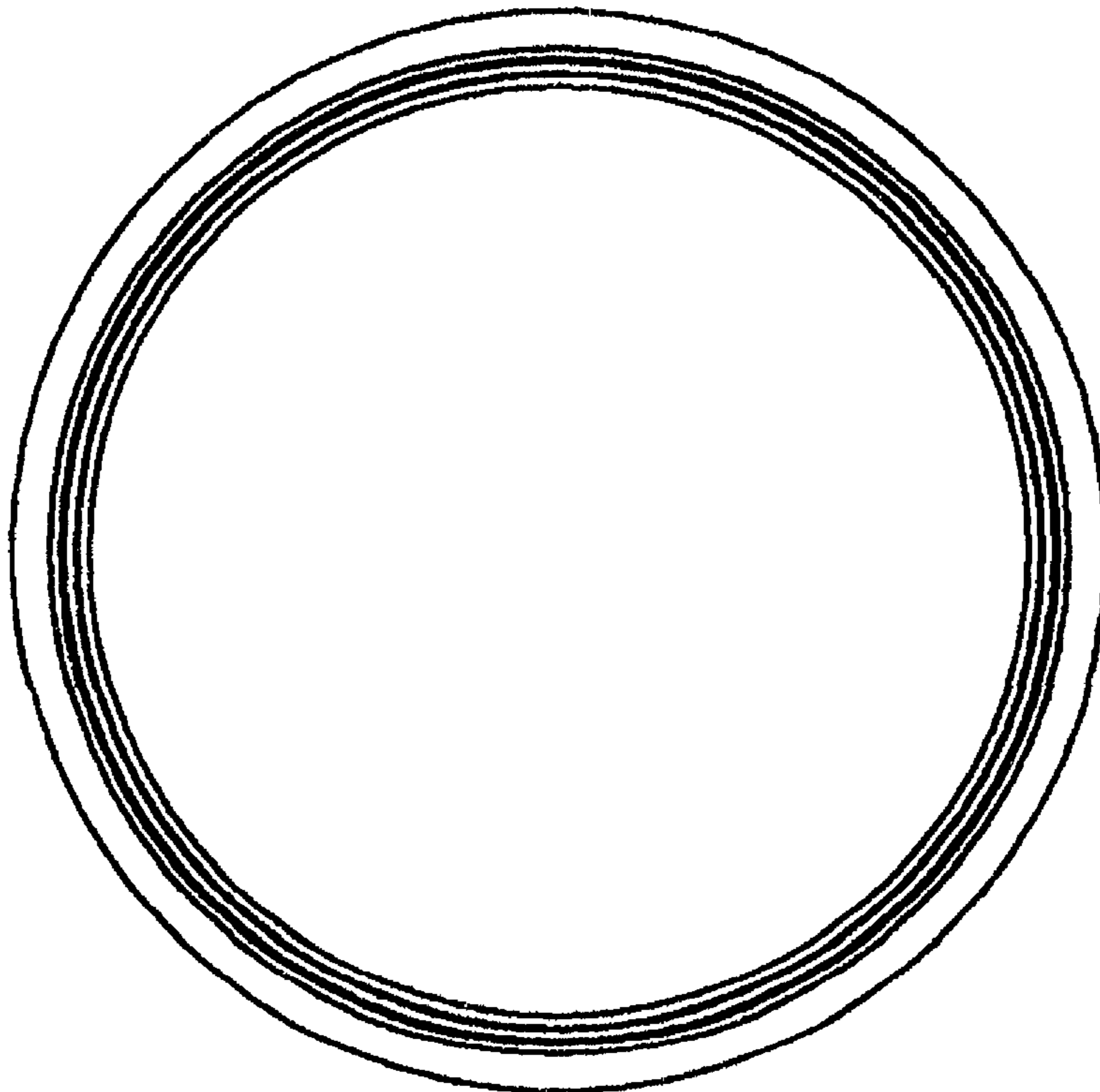


FIG. 2

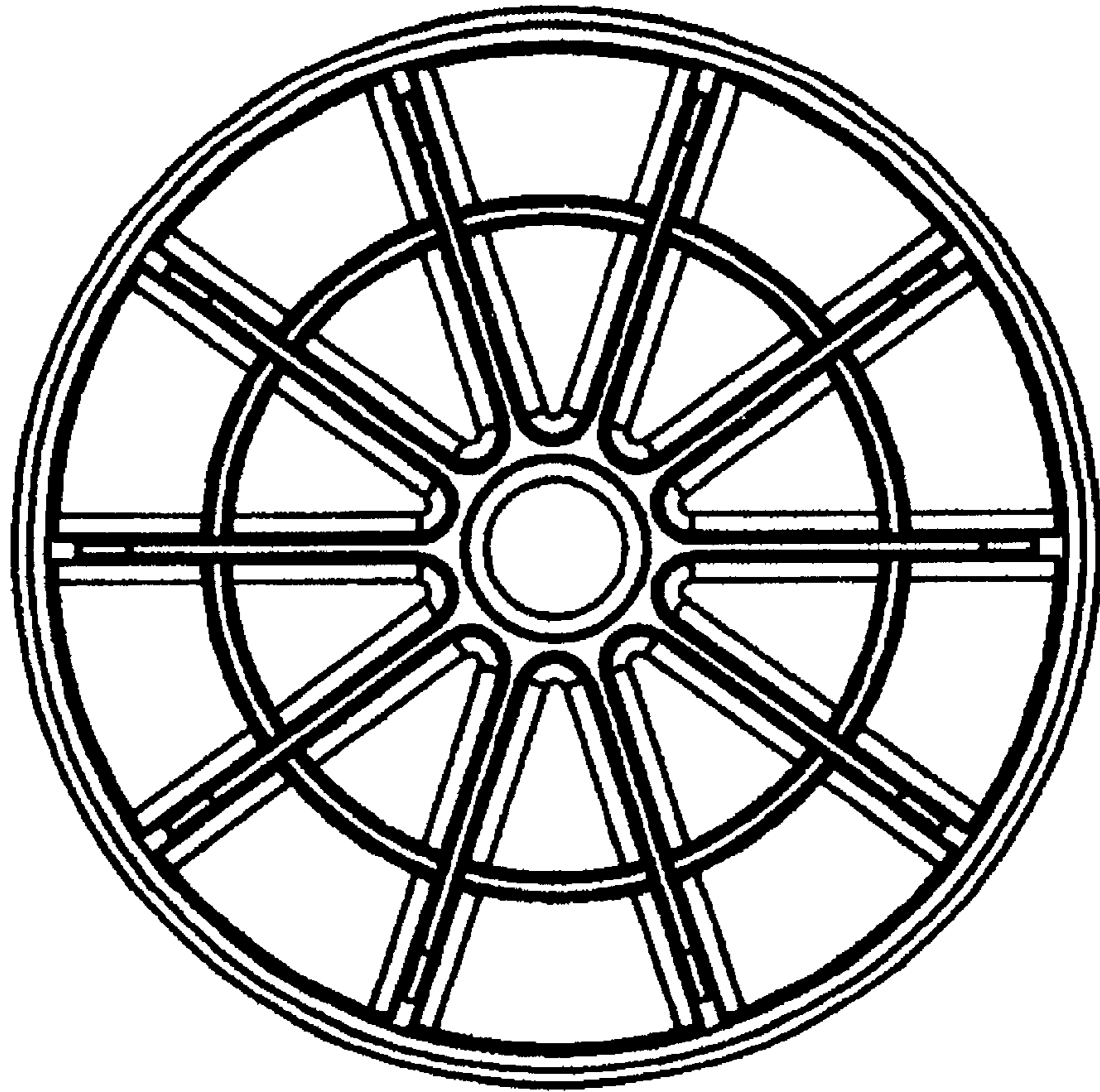


FIG. 3

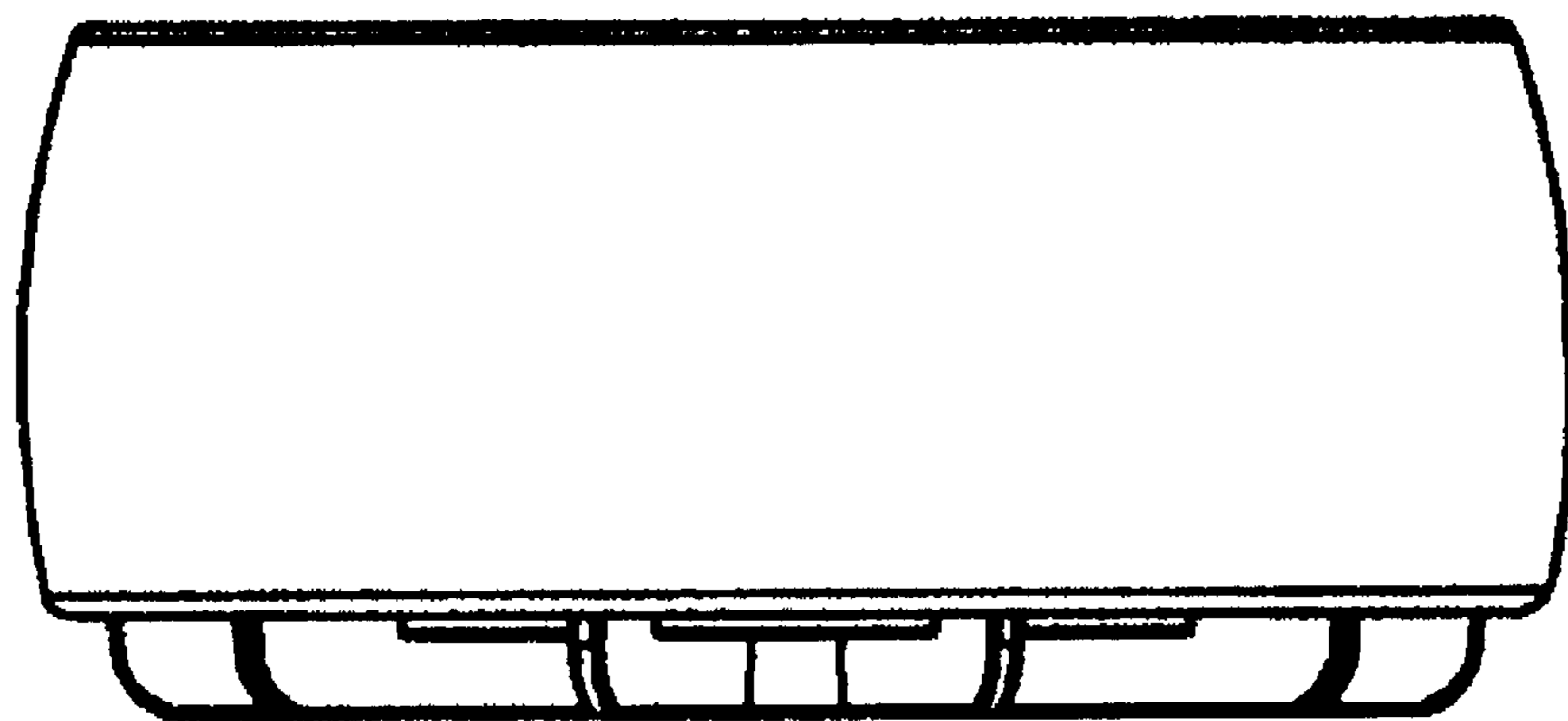


FIG. 4

FIG. 5

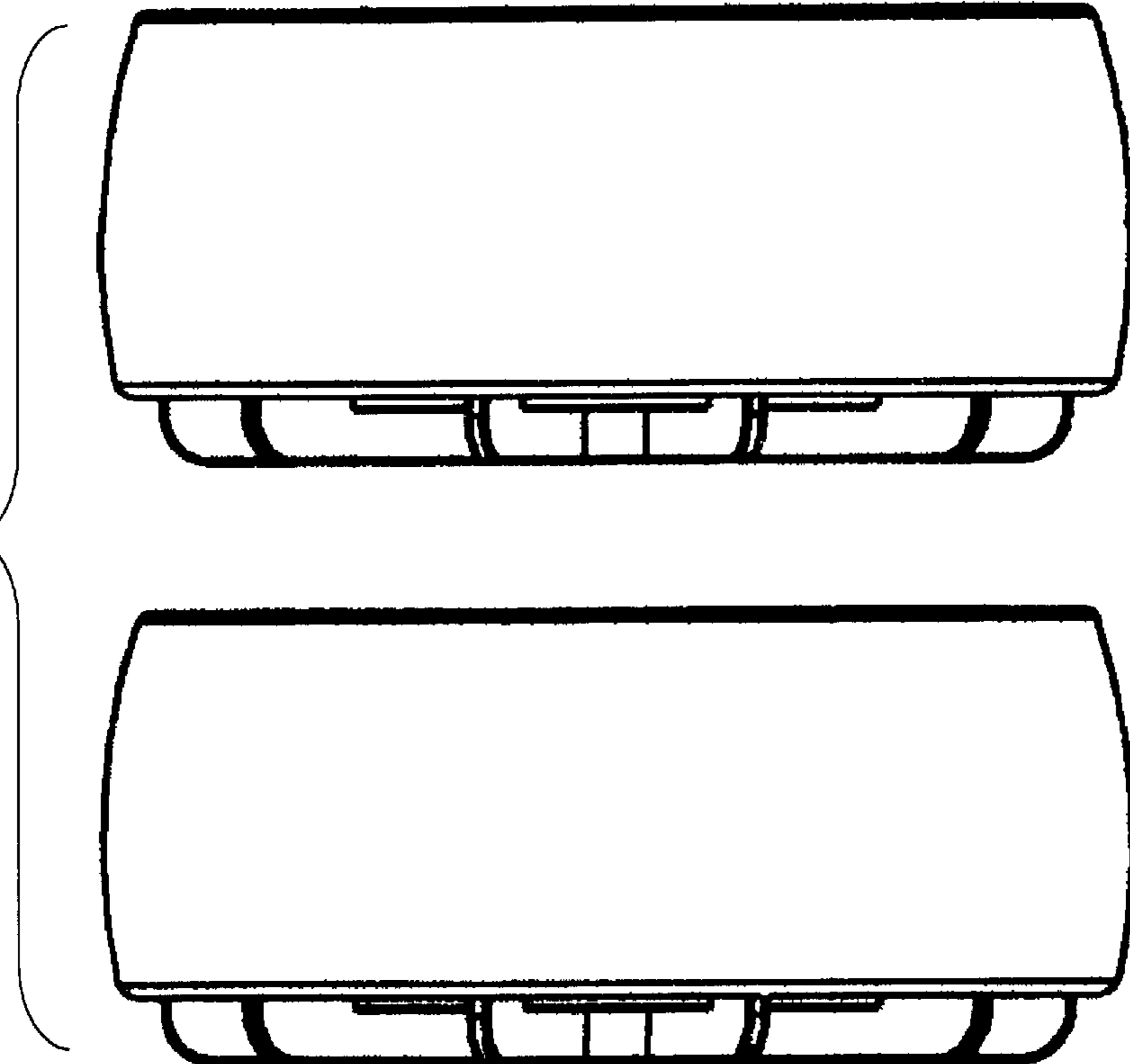


FIG. 6

