



US00D485745S

(12) **United States Design Patent**  
**Sung**

(10) **Patent No.:** **US D485,745 S**  
(45) **Date of Patent:** **\*\* Jan. 27, 2004**

(54) **TWO PART BRACKET ASSEMBLY FOR HANGING DISPLAY DEVICES ONTO VERTICAL SURFACES**

(76) Inventor: **Robbin Sung**, 1528 W. Olympic St., Los Angeles, CA (US) 90015

(\*\*) Term: **14 Years**

(21) Appl. No.: **29/172,753**

(22) Filed: **Dec. 18, 2002**

(51) **LOC (7) Cl.** ..... **08-05**

(52) **U.S. Cl.** ..... **D8/373**

(58) **Field of Search** ..... D8/373; 248/230.1, 248/222.51, 222.52, 224.7, 229.1, 220.21, 220.22, 488-489, 496, 544; 211/87.01

(56) **References Cited**

**U.S. PATENT DOCUMENTS**

3,529,799	A *	9/1970	Schaefer	.....	248/496
5,188,324	A *	2/1993	Joseph et al.	.....	248/222.52
5,730,413	A *	3/1998	Chen	.....	248/489
5,740,995	A *	4/1998	Richter	.....	248/220.21
5,893,544	A *	4/1999	Chen	.....	248/220.21
6,244,550	B1 *	6/2001	Blatchford	.....	248/222.52

\* cited by examiner

*Primary Examiner*—Holly Baynham

(74) *Attorney, Agent, or Firm*—Jerry H. Noh

(57) **CLAIM**

The ornamental design for a two part bracket assembly for hanging display devices onto vertical surfaces, as shown and described.

**DESCRIPTION**

FIG. 1 is an attached top perspective view of a two part

bracket assembly for hanging display devices onto vertical surfaces showing my new design;

FIG. 2 is an attached left side elevational view of the two part bracket assembly for hanging display devices onto vertical surfaces with the right side being a mirror image thereof;

FIG. 3 is a front elevational view of FIG. 1;

FIG. 4 is a back elevational view of FIG. 1

FIG. 5 is an exploded perspective view of the two part bracket assembly for hanging display devices onto vertical surfaces;

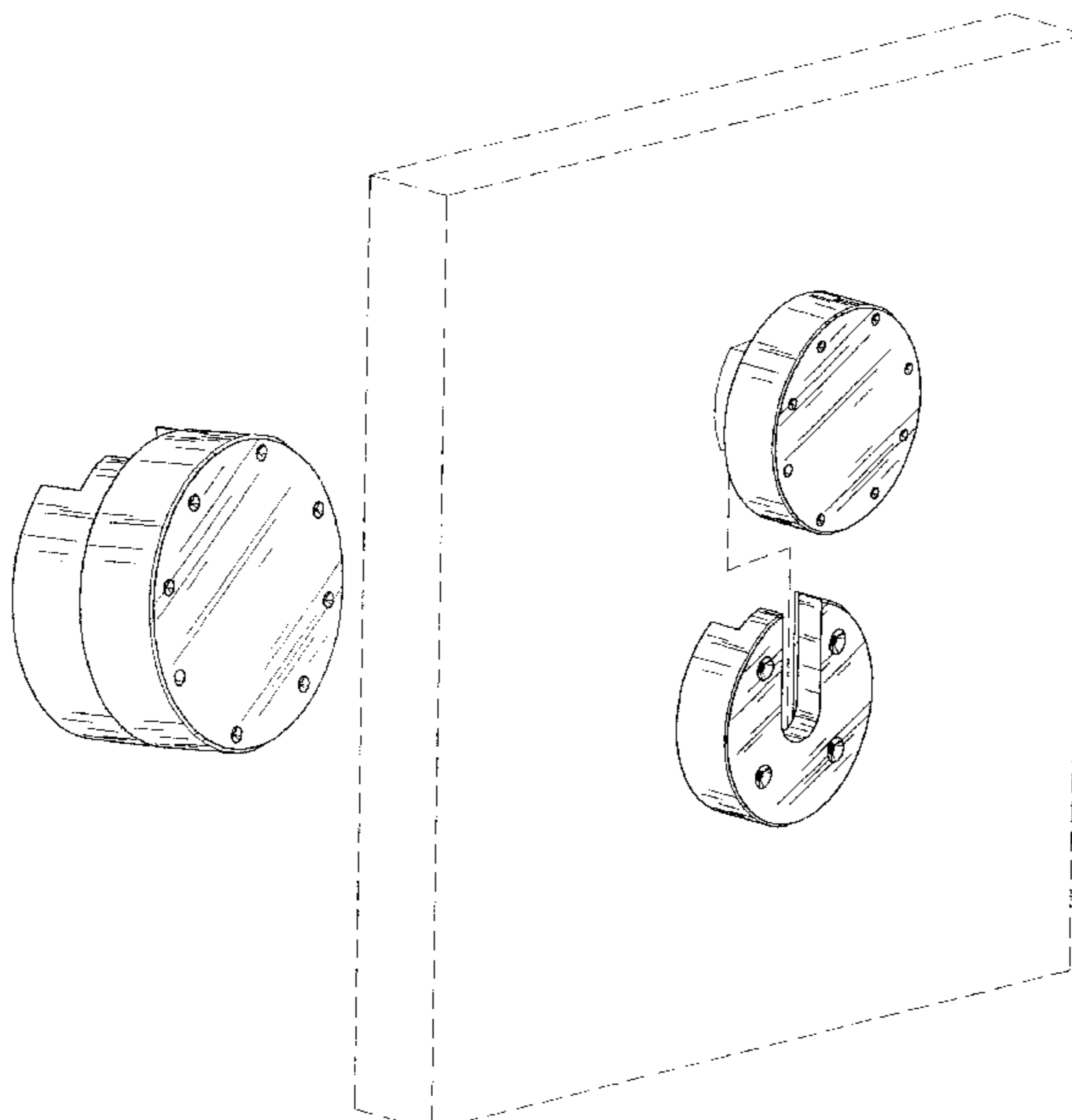
FIG. 6 is an exploded left side elevational view of the two part bracket assembly for hanging display devices onto vertical surfaces with the right side being a mirror image thereof;

FIG. 7 is an exploded front plan view of the two part bracket assembly for hanging display devices onto vertical surfaces; and,

FIG. 8 is an exploded back elevational view of the two part bracket assembly for hanging display devices onto vertical surfaces.

The broken line showing of environment in FIG. 1, FIG. 5, FIG. 6, FIG. 7, and FIG. 8 is for illustrative purposes only and forms no part of the claimed design.

**1 Claim, 2 Drawing Sheets**



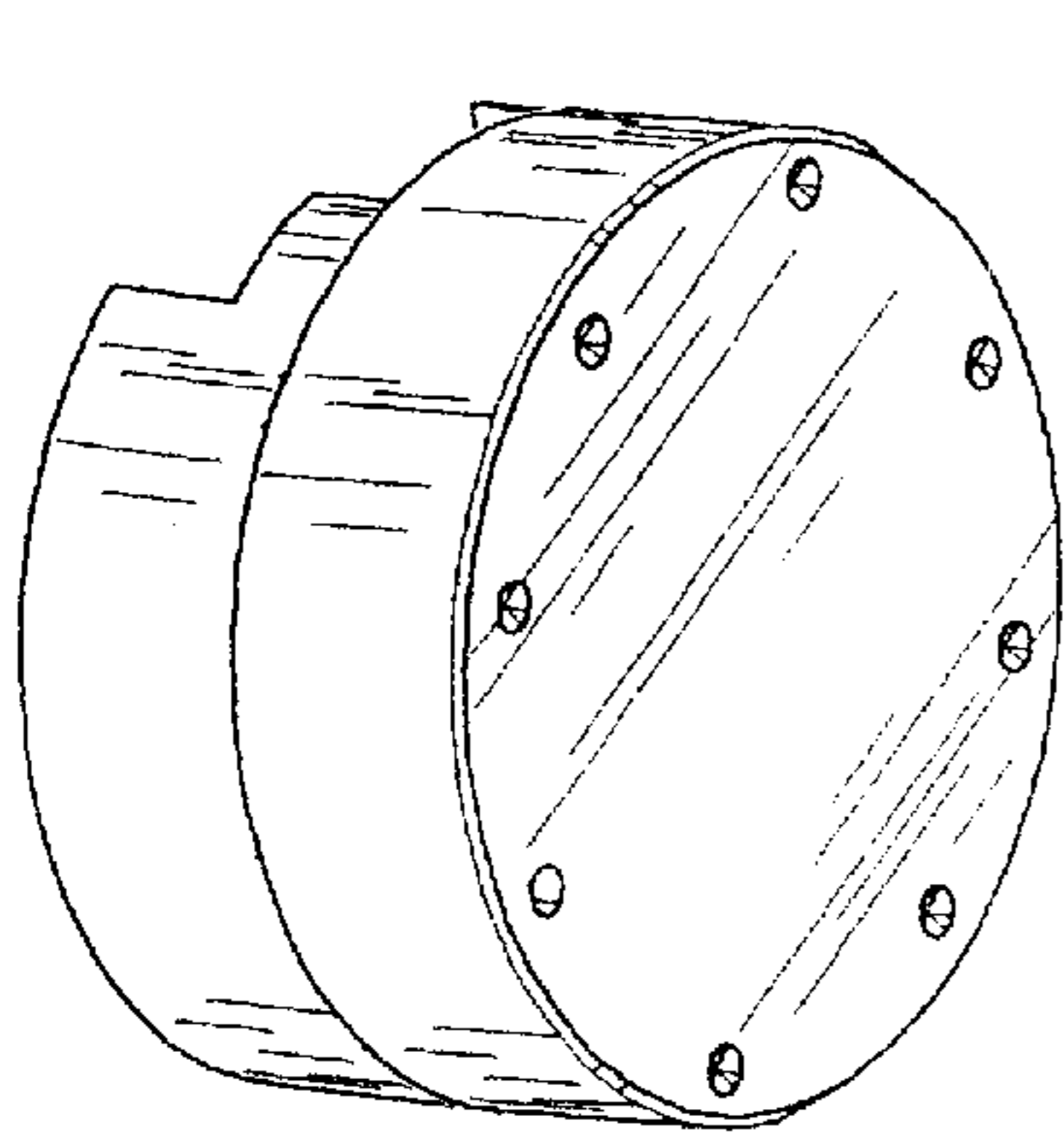


FIG. 1

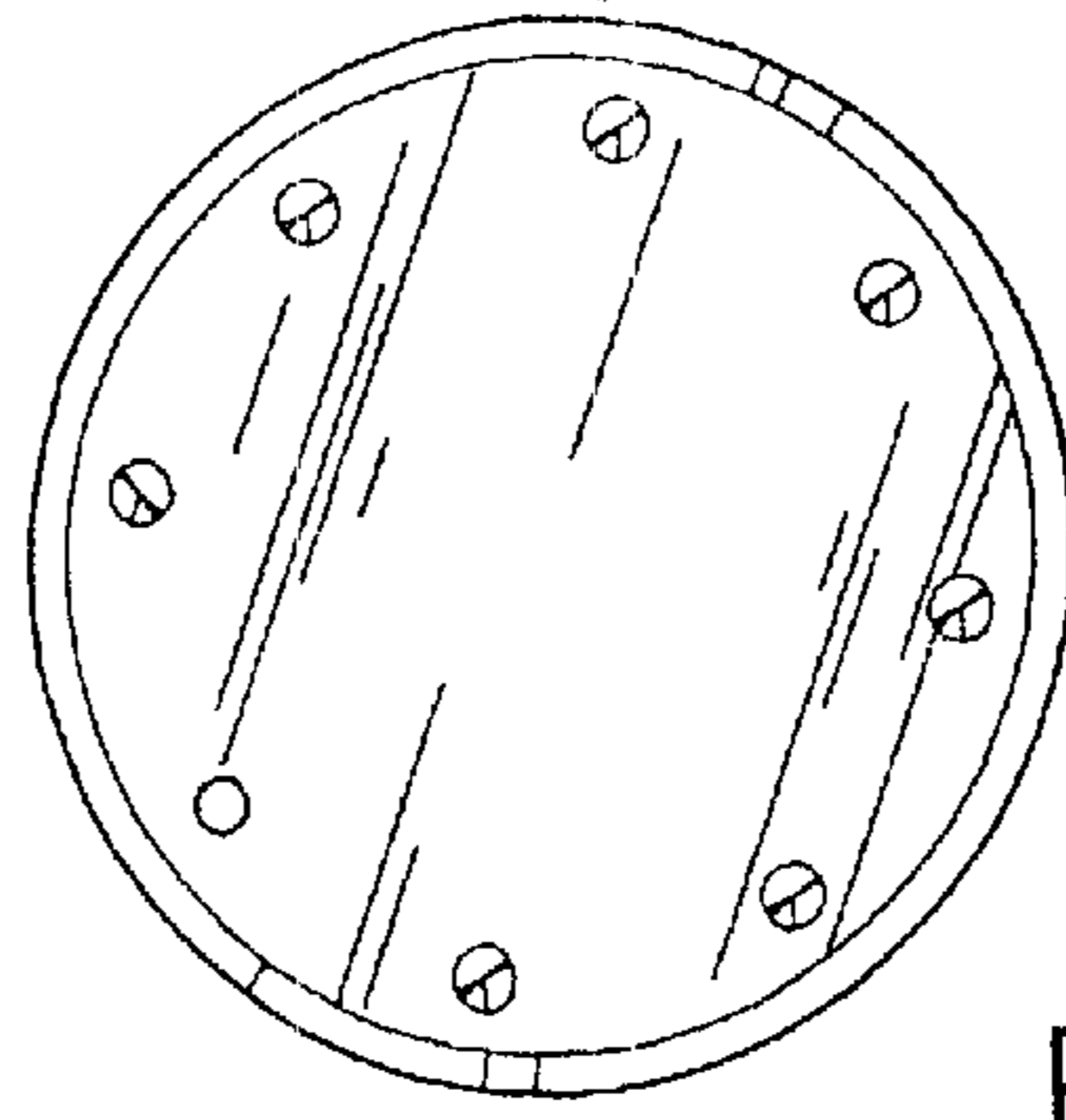


FIG. 3

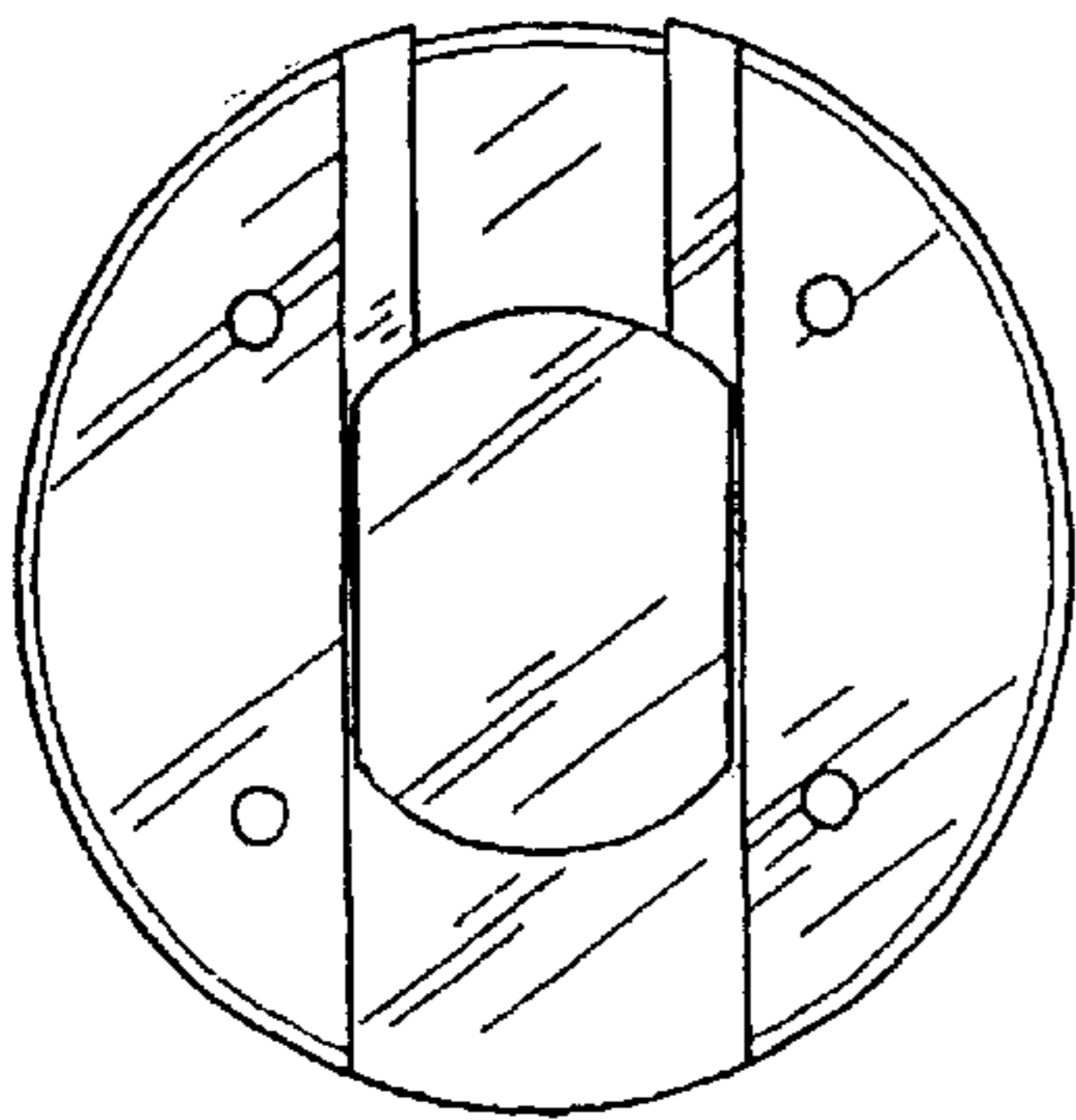


FIG. 4

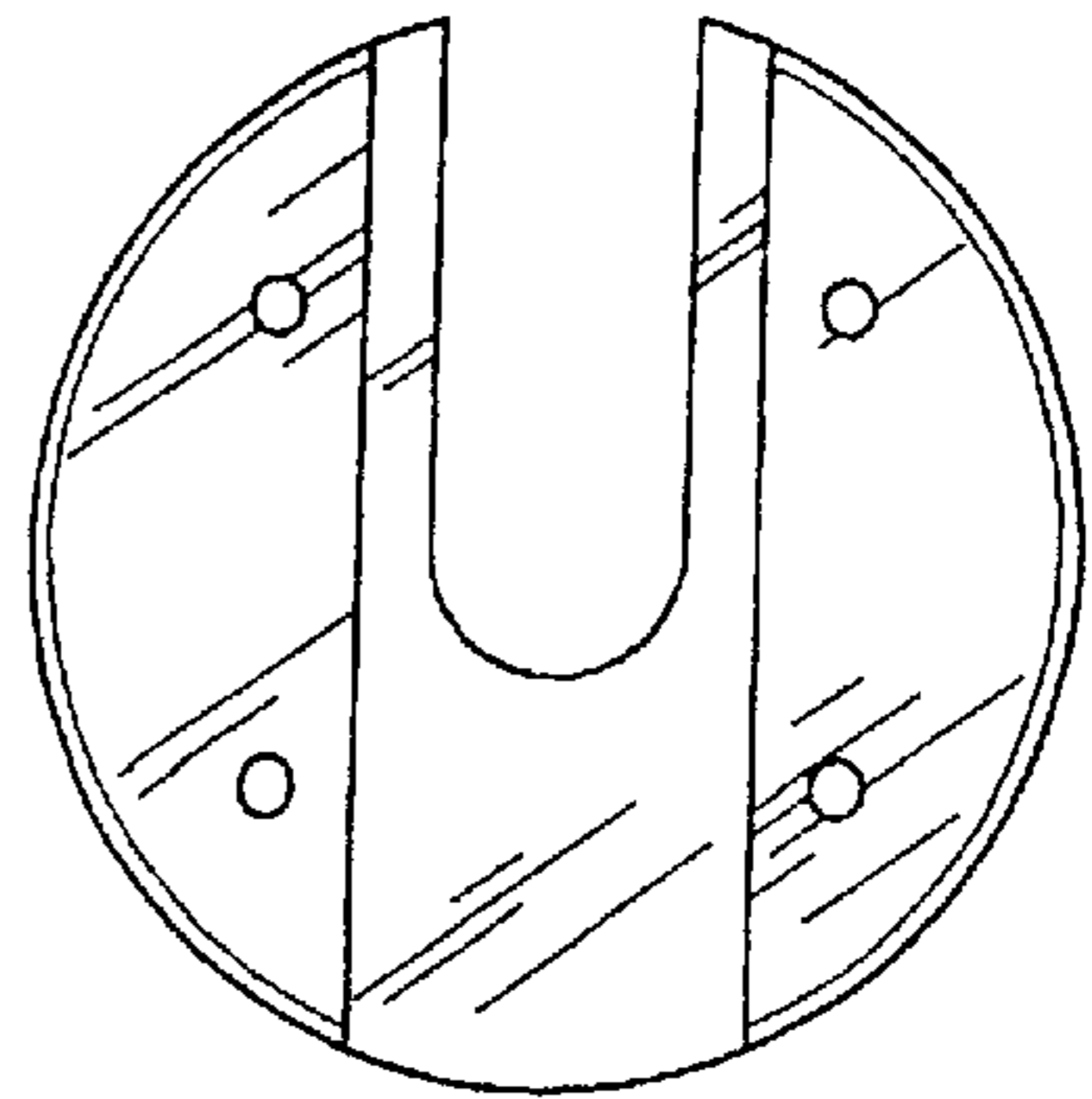
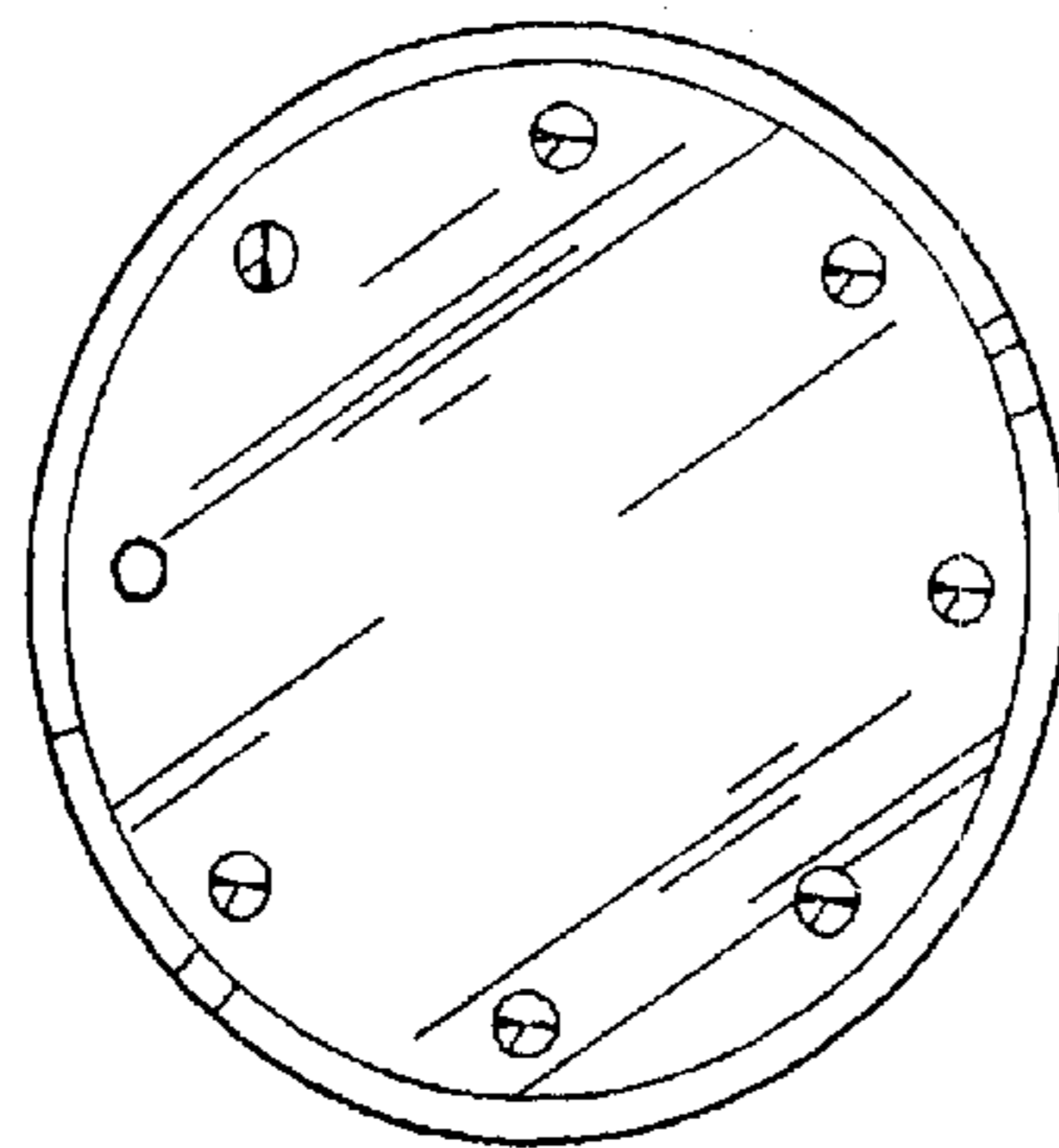
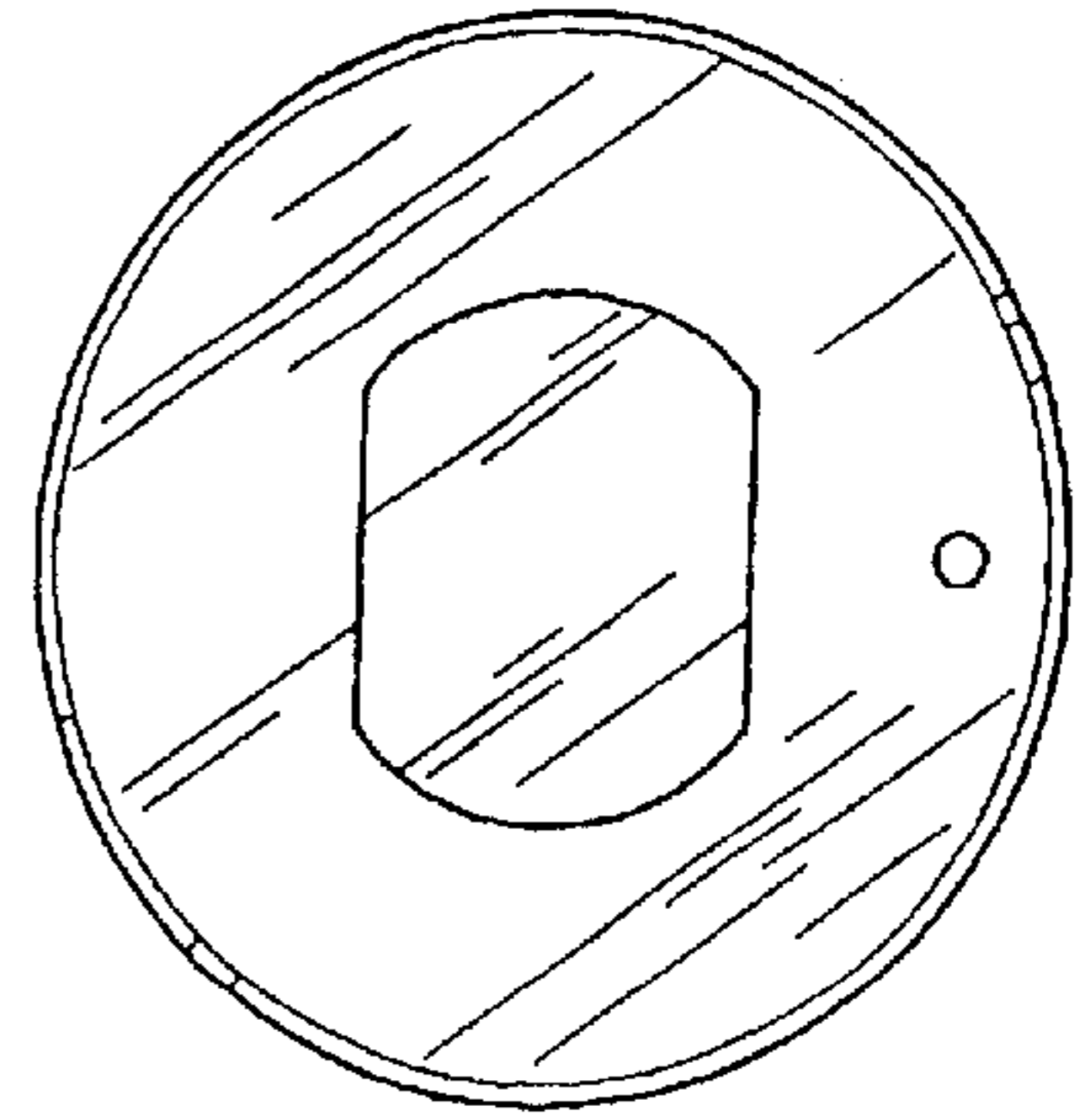


FIG. 8

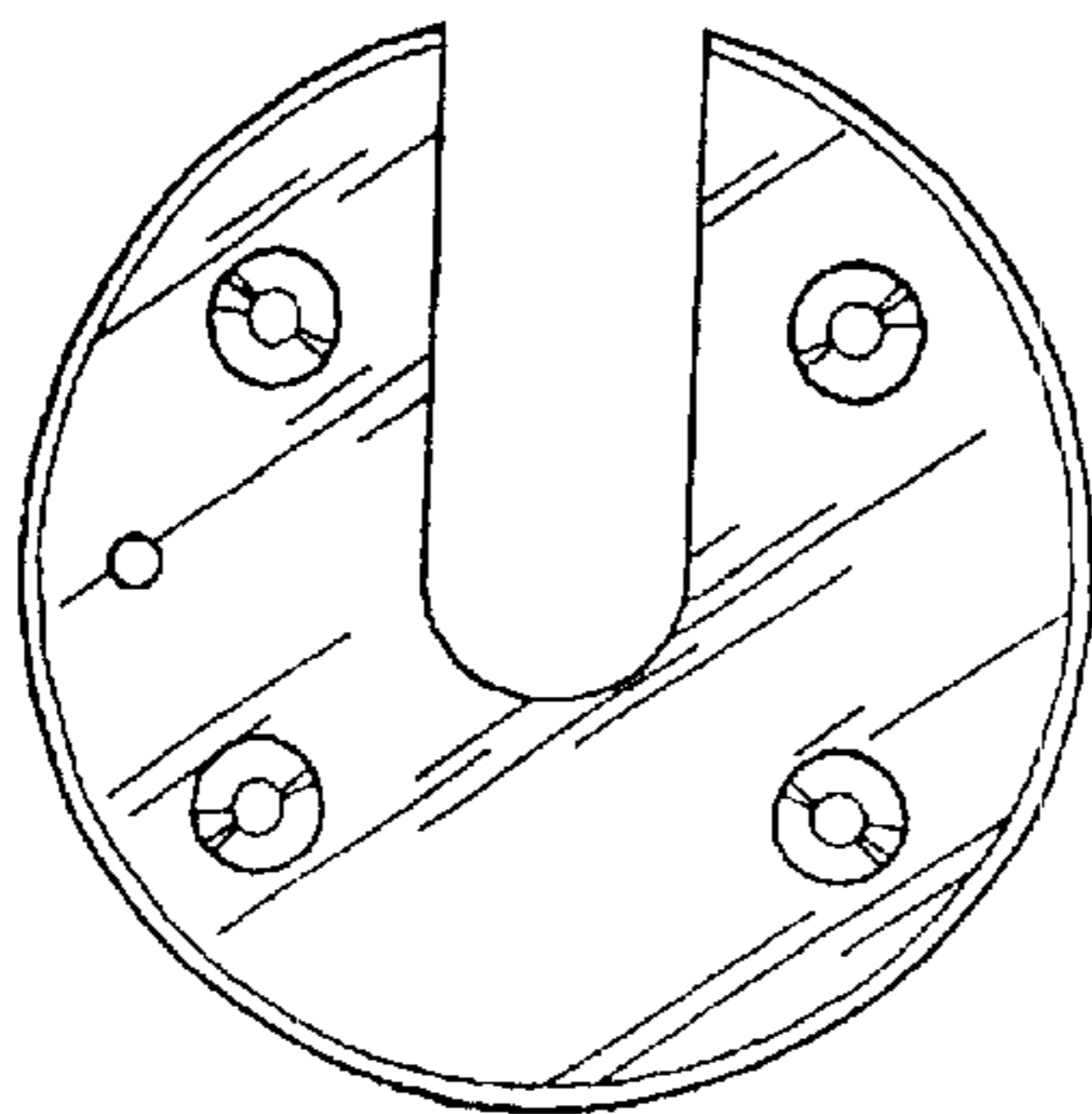


FIG. 7

FIG. 2

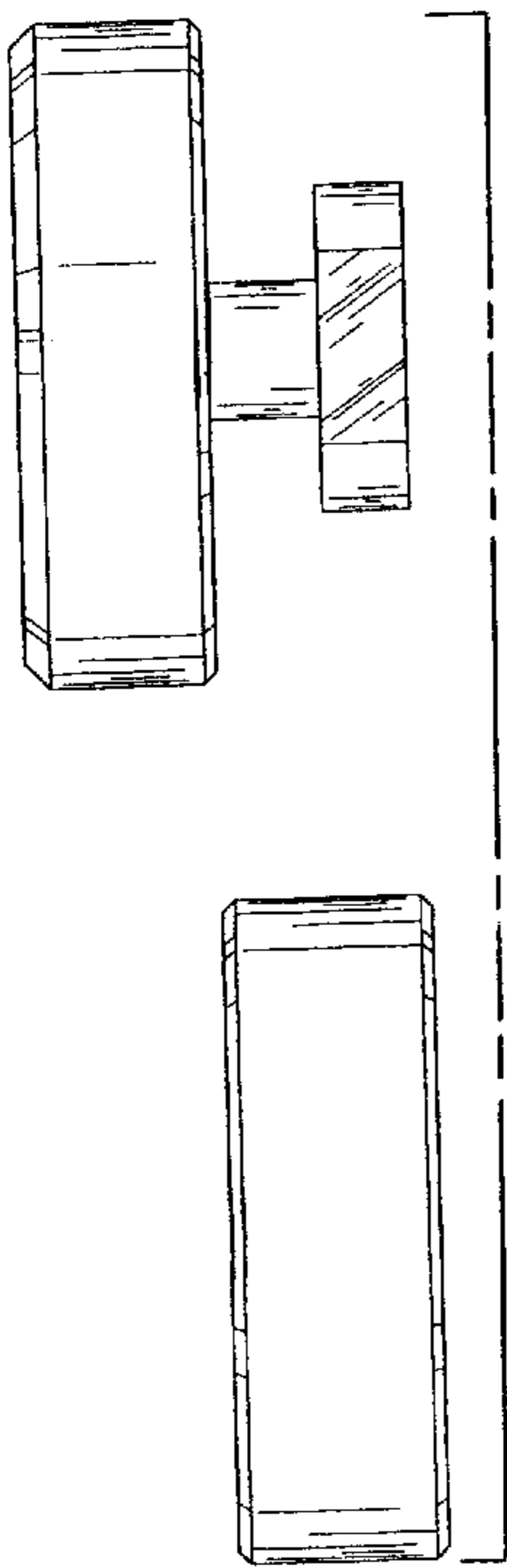
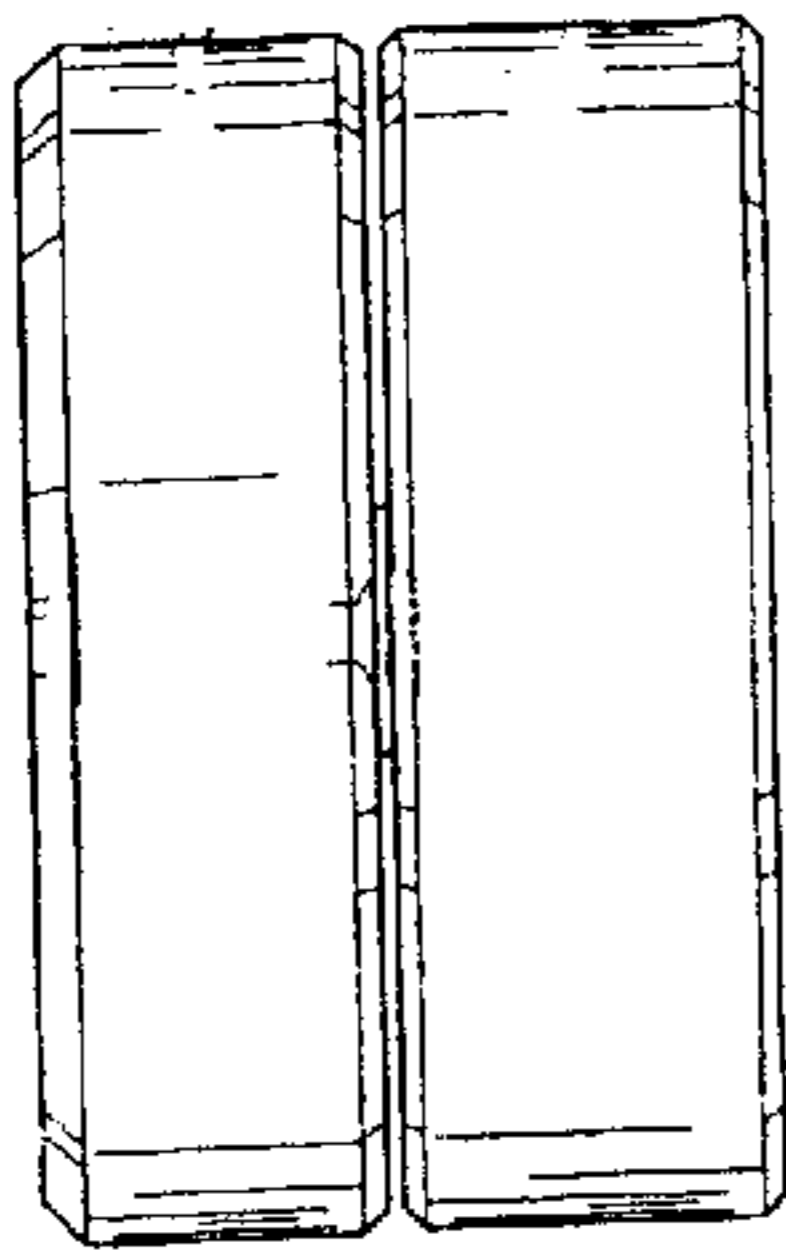


FIG. 6

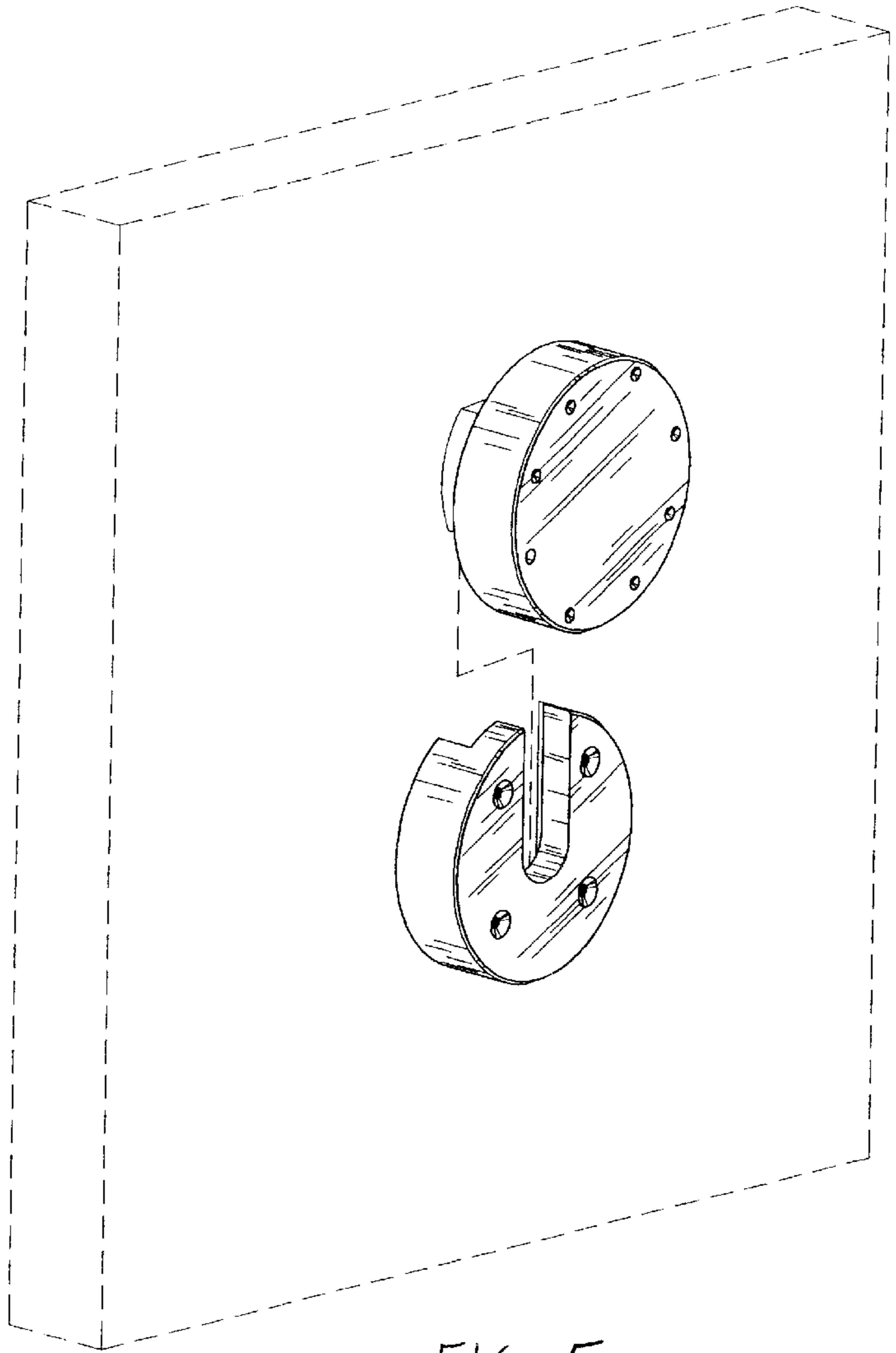


FIG. 5