



US00D485743S

(12) **United States Design Patent**
Wilson, Sr.

(10) **Patent No.:** **US D485,743 S**

(45) **Date of Patent:** **** Jan. 27, 2004**

(54) **POLE HOLDER**

(76) **Inventor:** **Howard Wilson, Sr.,** P.O. Box 10375,
Norfolk, VA (US) 23513

(**) **Term:** **14 Years**

(21) **Appl. No.:** **29/174,886**

(22) **Filed:** **Jan. 27, 2003**

(51) **LOC (7) Cl.** **08-05**

(52) **U.S. Cl.** **D8/354**

(58) **Field of Search** D3/10; D6/495,
D6/512; D8/349, 354, 373, 380; D10/109;
D11/130.1, 166, 181, 182, 183; D14/229;
40/612; 116/173, 174, 175; 248/125.1,
158, 346.01, 346.03, 511, 518, 519, 523,
534, 535, 536, 537, 539, 541, 676, 678,
688, 910; D21/799.1; 473/473, 492

(56) **References Cited**

U.S. PATENT DOCUMENTS

2,455,131 A * 11/1948 Masterson 248/158
3,415,475 A * 12/1968 Goodman 248/158
4,596,262 A * 6/1986 Tegze 248/158

4,718,624 A * 1/1988 Greulich 248/158
5,755,419 A * 5/1998 Gearhart et al. 248/346.01
D427,034 S * 6/2000 Cyrell D8/356
D429,056 S * 8/2000 Aftoora D1/130
D447,649 S * 9/2001 Mason D6/495

* cited by examiner

Primary Examiner—Doris V. Coles
Assistant Examiner—Elizabeth A. Albert
(74) *Attorney, Agent, or Firm*—Bradley D. Goldizen

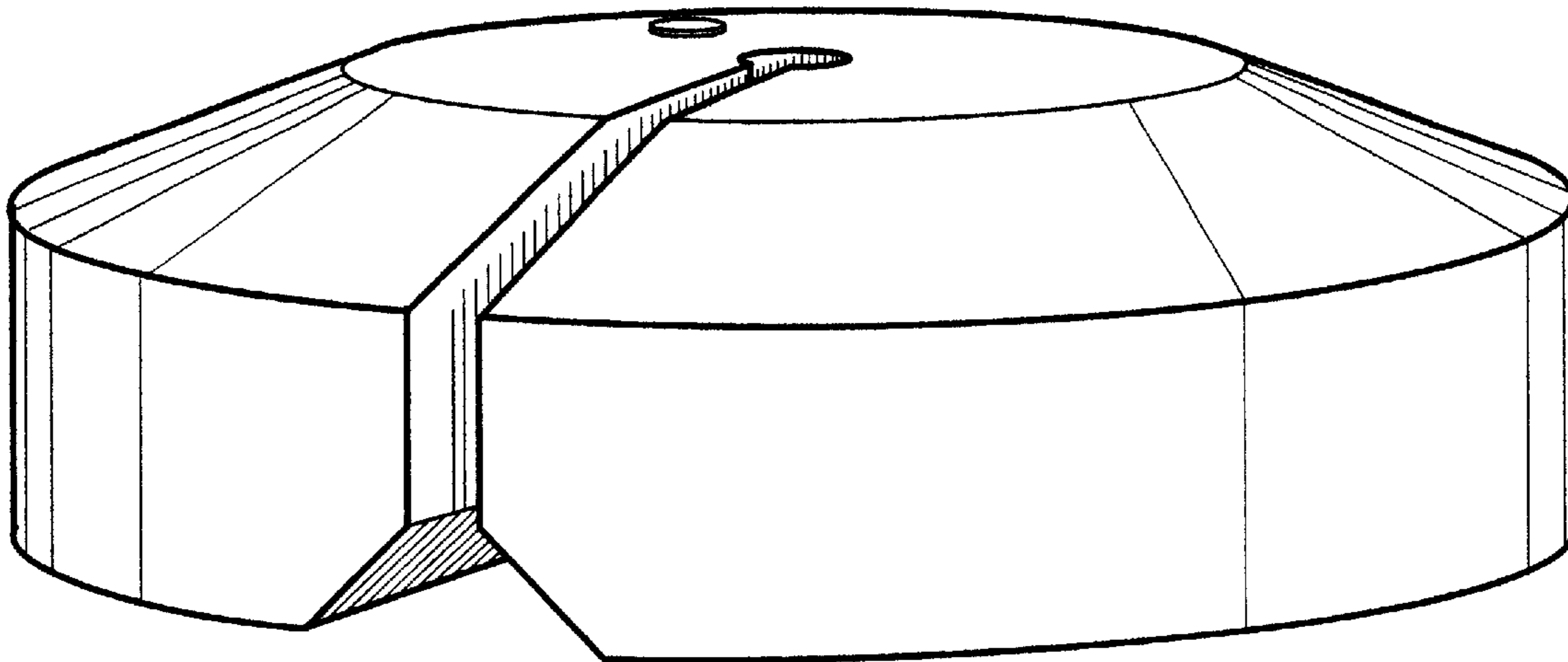
(57) **CLAIM**

The ornamental design for a pole holder, as shown and described.

DESCRIPTION

FIG. 1 is a perspective view of the pole holder.
FIG. 2 is a front view of the pole holder.
FIG. 3 is a back view of the pole holder.
FIG. 4 is a left side view of the pole holder.
FIG. 5 is a right side view of the pole holder.
FIG. 6 is a top view of the pole holder; and,
FIG. 7 is a bottom view of the pole holder.

1 Claim, 3 Drawing Sheets



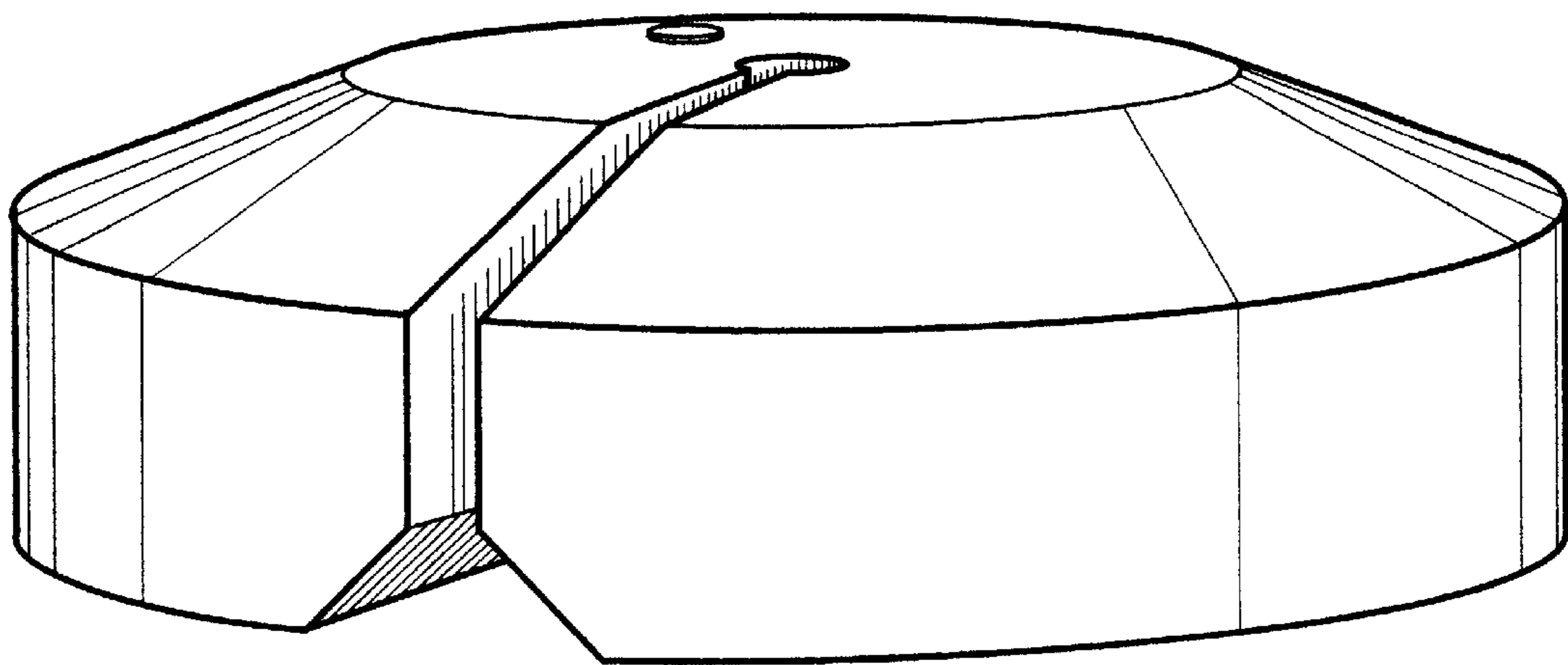


FIG. 1

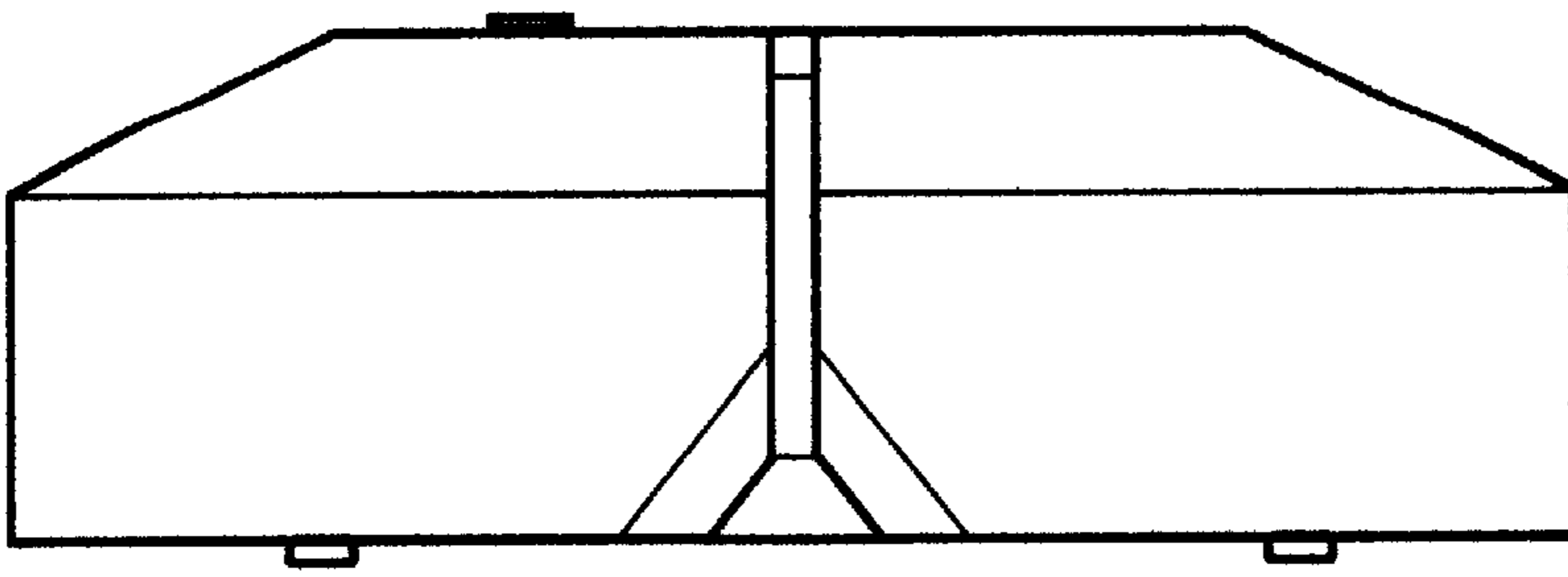


FIG. 2

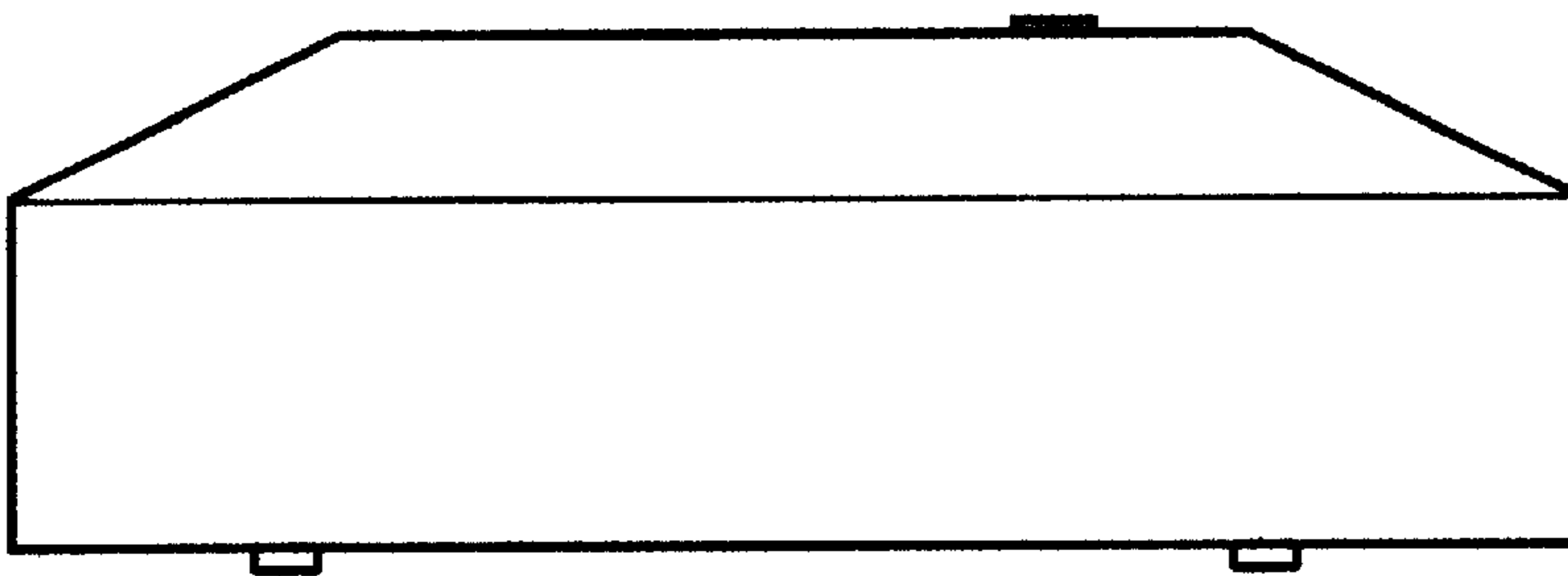


FIG. 3

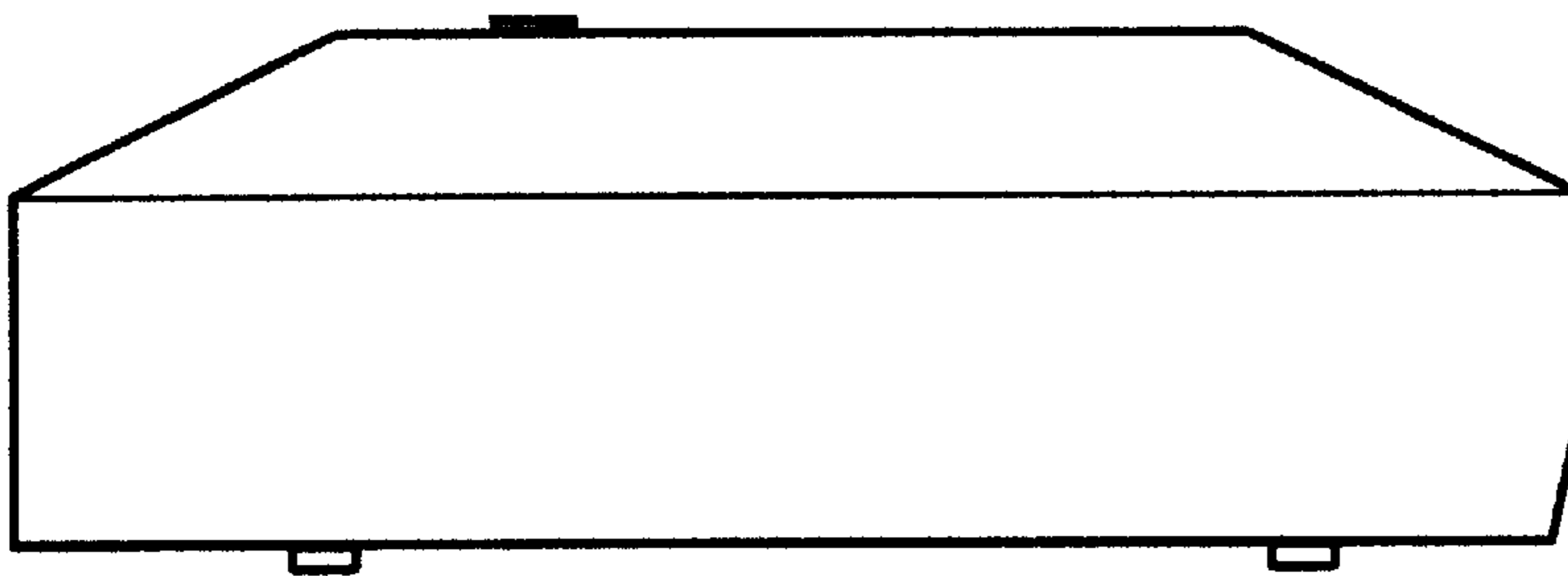


FIG. 4

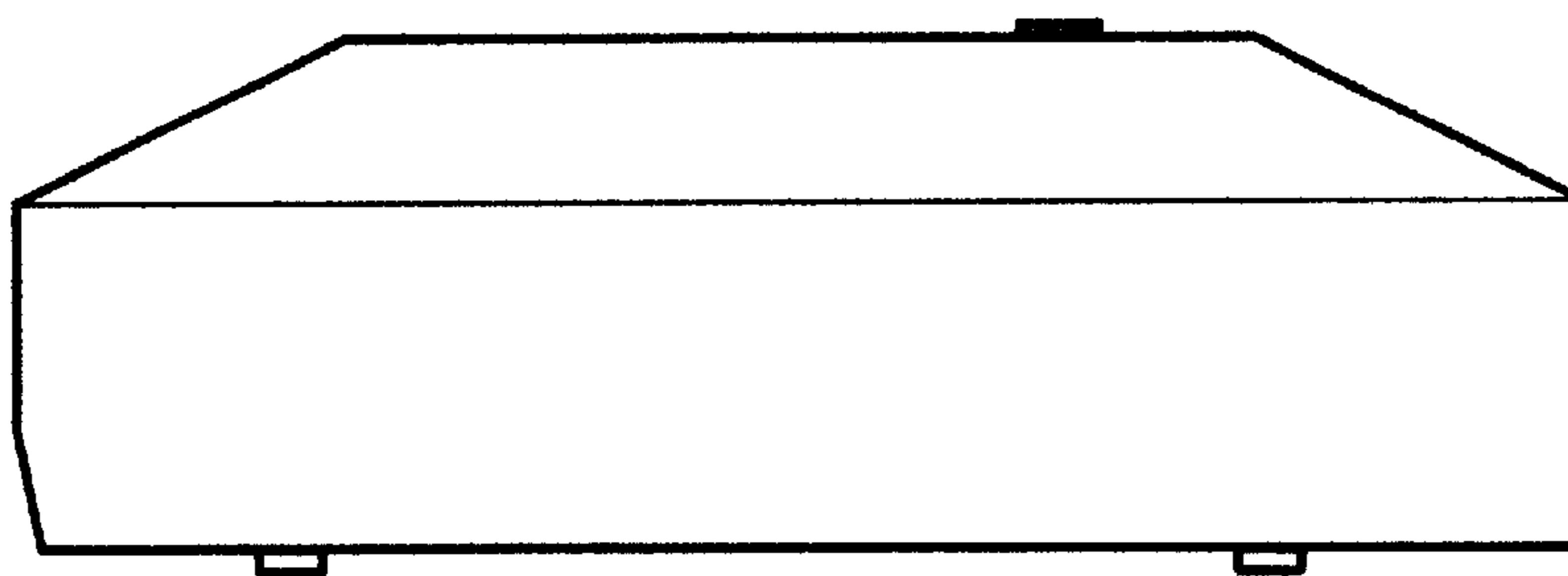


FIG. 5

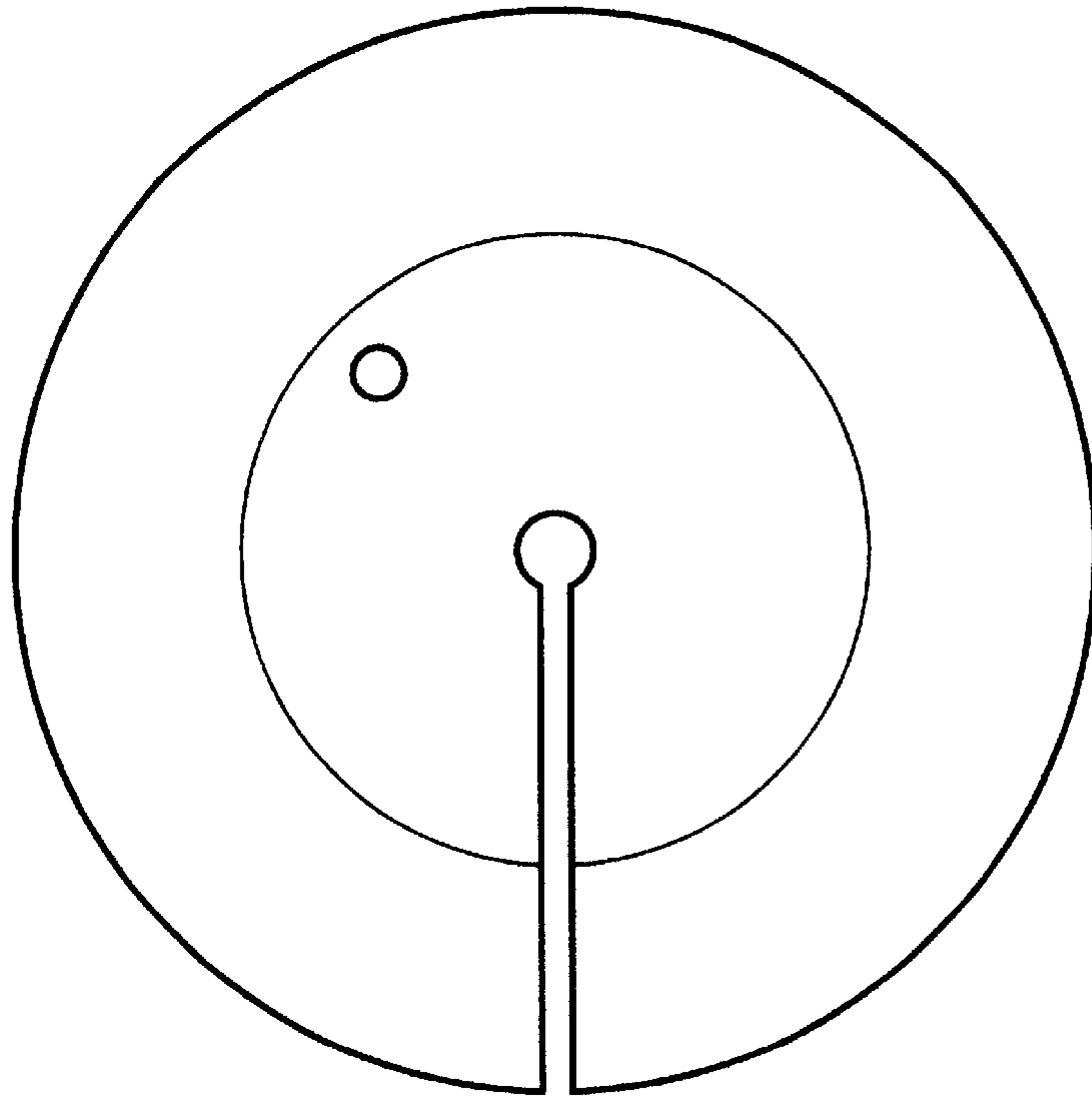


FIG. 6

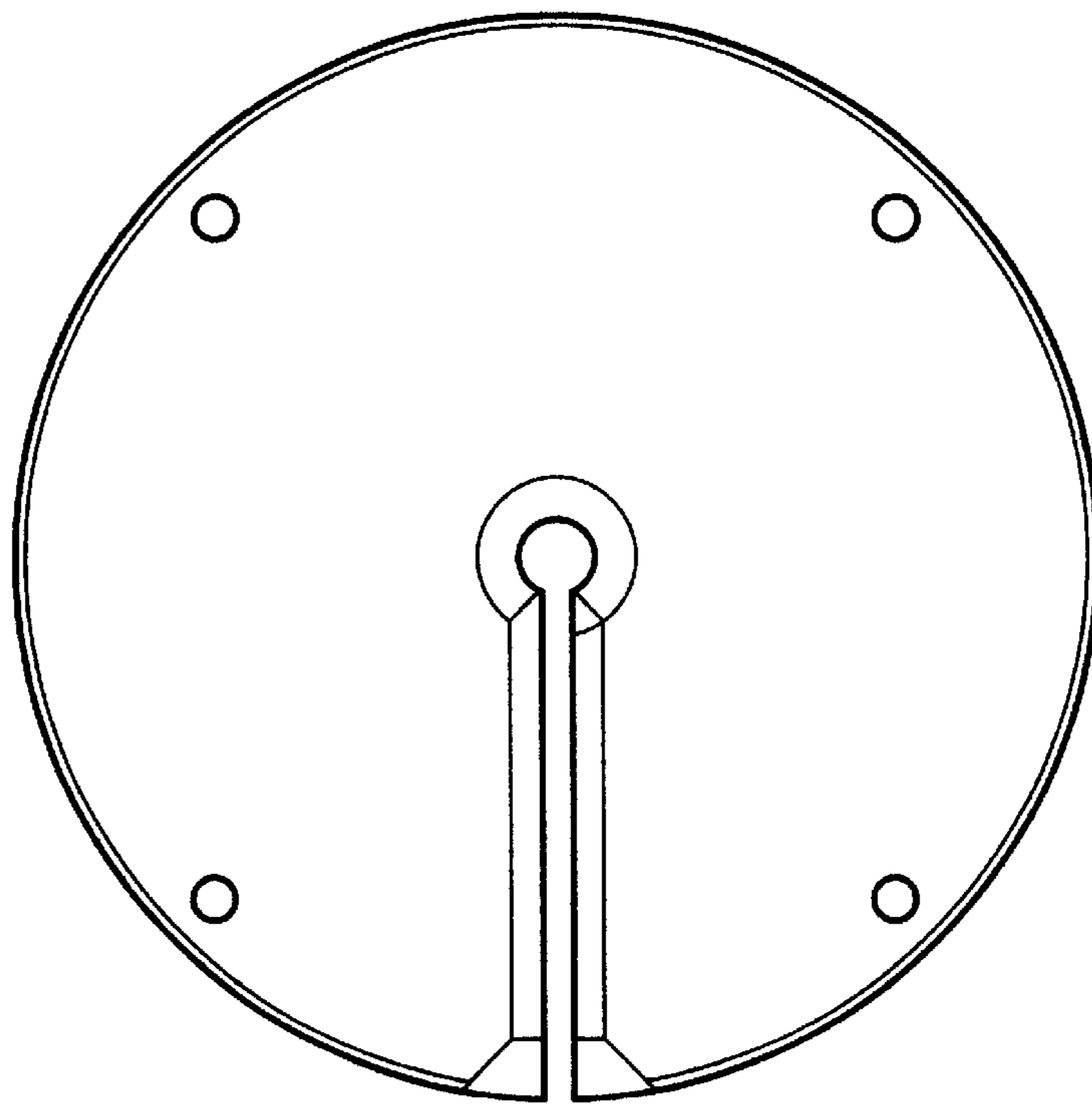


FIG. 7