



US00D485741S

(12) **United States Design Patent**
Worrall

(10) **Patent No.:** **US D485,741 S**

(45) **Date of Patent:** **** Jan. 27, 2004**

(54) **CLAMP COMPONENT, PARTICULARLY FOR USE AS PART OF A WALL MOUNT FOR A COMBINATION TV/VCR SET**

D341,301 S * 11/1993 Noelck D8/70
D415,768 S * 10/1999 Howell D14/239
D423,910 S * 5/2000 Cyrell D8/349
6,152,416 A * 11/2000 Jacob 248/214
6,418,010 B1 * 7/2002 Sawyer 361/681

(75) Inventor: **Raymond Worrall**, Wolverhampton (GB)

OTHER PUBLICATIONS

(73) Assignee: **AVF Group Limited** (GB)

AVF Vector-Product information for Multicamp 850 TV Wall Mount; date unknown.

(**) Term: **14 Years**

Drawing of Multicamp 850 TV Wall Mount; date unknown.

(21) Appl. No.: **29/166,418**

* cited by examiner

(22) Filed: **Aug. 27, 2002**

(30) **Foreign Application Priority Data**

May 22, 2002 (GB) 3003855

Primary Examiner—Doris V. Coles

Assistant Examiner—Elizabeth A. Albert

(74) *Attorney, Agent, or Firm*—Cantor Colburn LLP

(51) **LOC (7) Cl.** **08-08**

(57) **CLAIM**

(52) **U.S. Cl.** **D8/349**

The ornamental design for a 'clamp component, particularly for use as part of a wall mount for a combination TV/VCR set', as shown.

(58) **Field of Search** D6/512, 491; D8/11, D8/14, 16, 45, 71, 349, 354, 373, 380, 394, 366, 363; D14/238, 239, 251, 432, 451; 24/455, 570; 224/929; 248/123.11, 200, 201, 205.1, 207, 214, 226.11, 228.6, 229.15, 229.25, 230.6, 231.71, 279.1, 284.1, 297.11, 300, 309.1, 312.1, 316.1, 317, 342, 917, 915, 919, 920, 921, 922, 923, 924; 361/681, 801

DESCRIPTION

FIG. 1 is an end view of the clamp component, particularly for use as part of a wall mount for a combination TV/VCR set showing my new design;

FIG. 2 is a side view thereof;

FIG. 3 is a bottom view thereof; and,

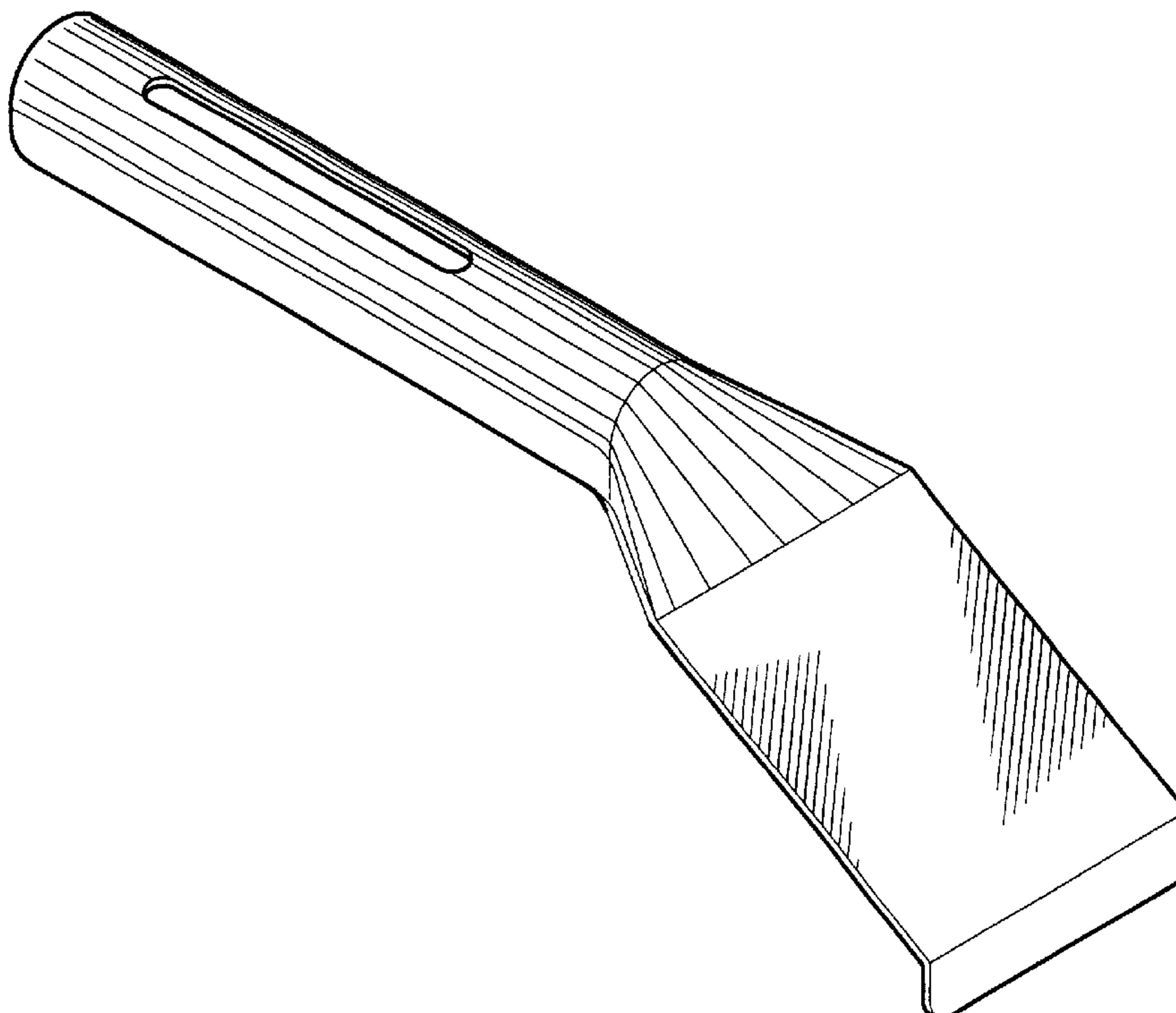
FIG. 4 is a perspective view thereof.

(56) **References Cited**

U.S. PATENT DOCUMENTS

D162,664 S * 3/1951 Kleeb D8/16

1 Claim, 1 Drawing Sheet



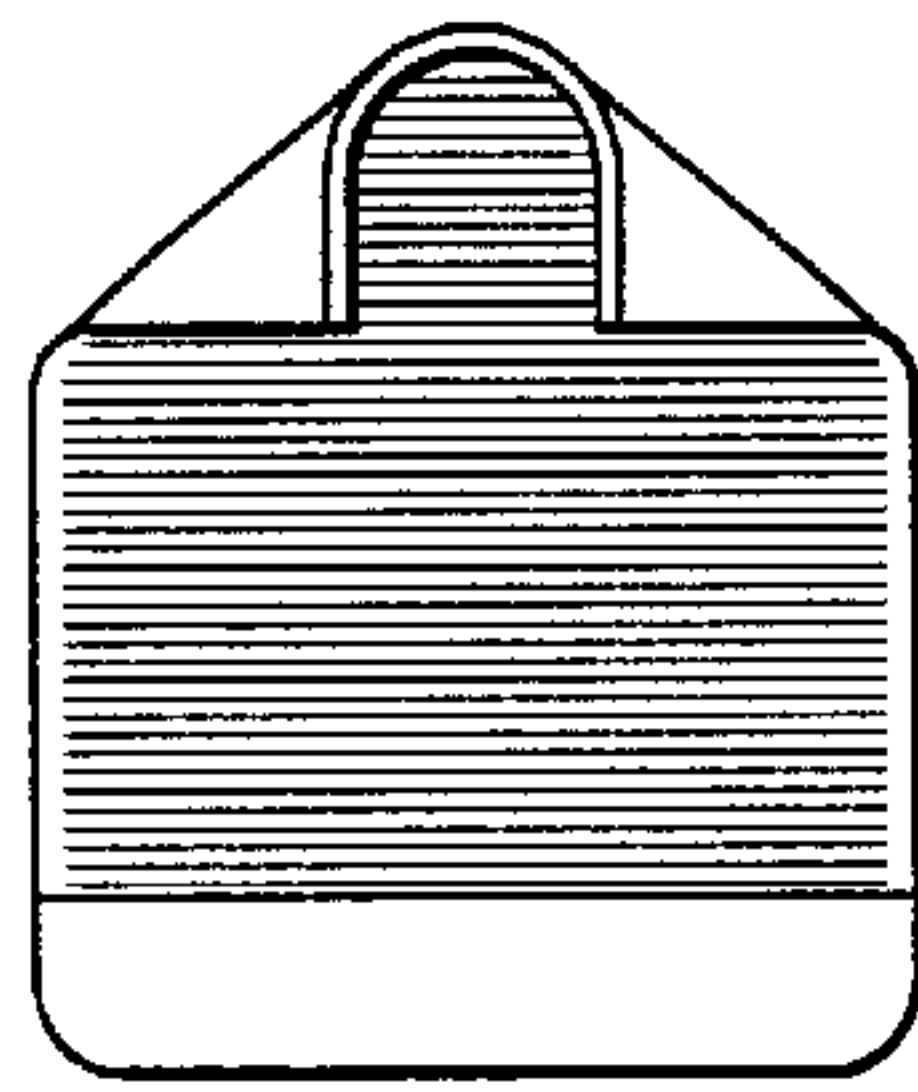


FIG 1

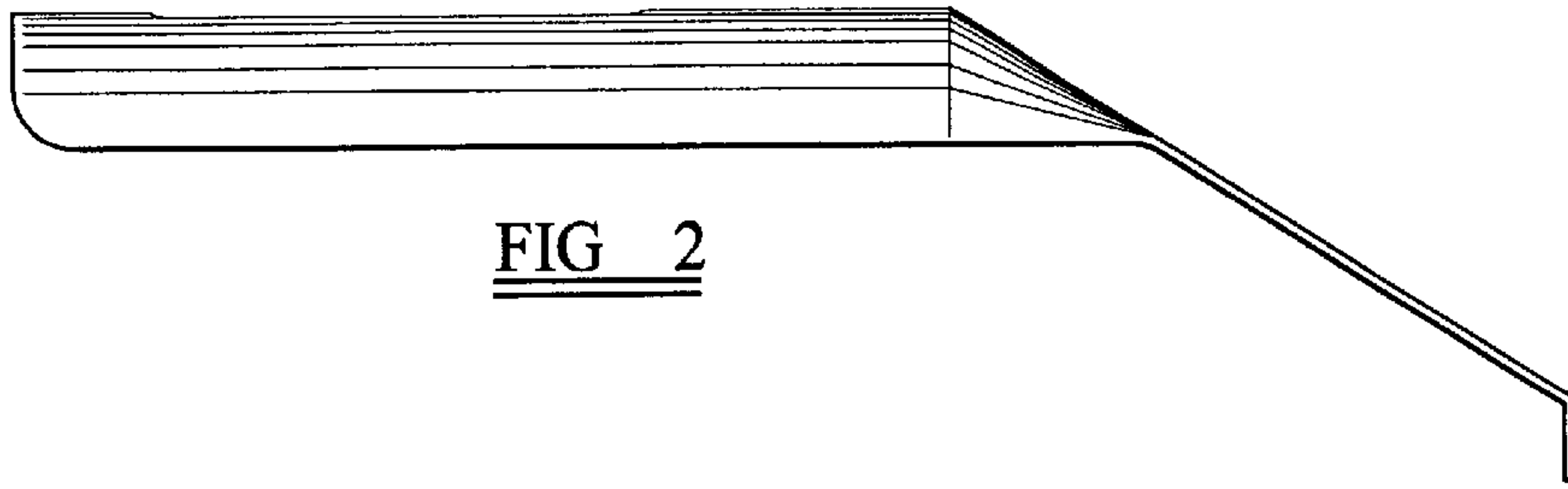


FIG 2

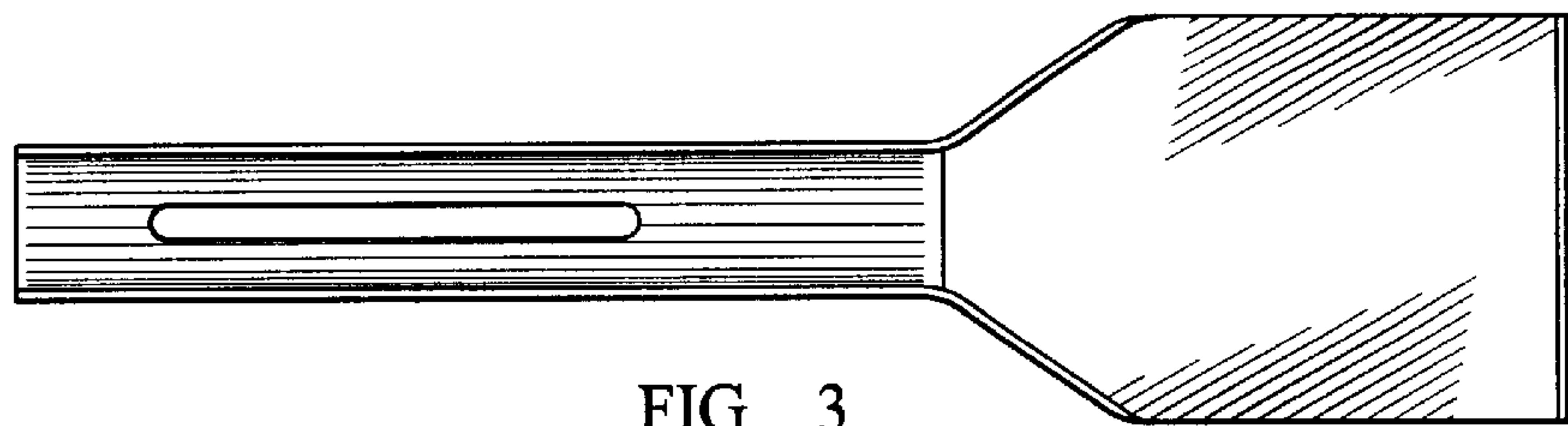


FIG 3

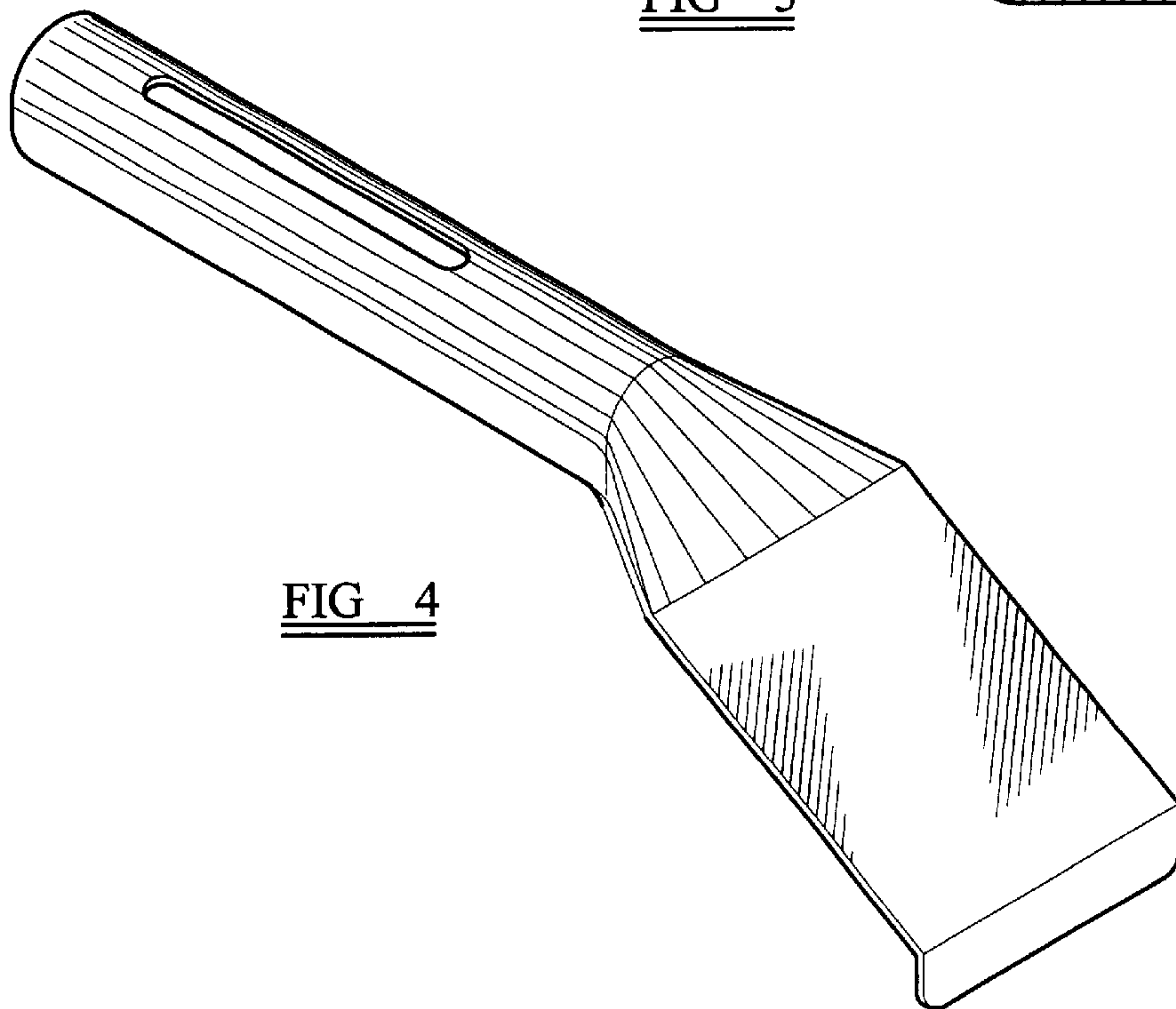


FIG 4