



US00D485740S

(12) **United States Design Patent**  
**Varzino et al.**

(10) **Patent No.:** **US D485,740 S**  
(45) **Date of Patent:** **\*\* Jan. 27, 2004**

(54) **APPARATUS FOR SECURING A WORKPIECE**  
(75) Inventors: **Robert E. Varzino**, Batavia, IL (US);  
**William J. Phillips**, Bolingbrook, IL (US)  
(73) Assignee: **WMH Tool Group, Inc.**, Elgin, IL (US)  
(\*\*) Term: **14 Years**

GB	443381	2/1936
GB	819506	9/1959
GB	956390	4/1964
GB	973387	10/1964
GB	2 063 111	6/1981
GB	2 182 271	5/1987
GB	2 204 264	11/1988
GB	2 214 109	8/1989
GB	2 221 634	2/1990

**OTHER PUBLICATIONS**

Wilton Corporation 2001 Catalog.

*Primary Examiner*—Gregory Andoll

(74) *Attorney, Agent, or Firm*—Fitch, Even, Tabin & Flannery

(21) Appl. No.: **29/156,492**  
(22) Filed: **Mar. 1, 2002**

(51) **LOC (7) Cl.** ..... **08-05**  
(52) **U.S. Cl.** ..... **D8/74**  
(58) **Field of Search** ..... D8/71, 74; 269/246,  
269/247, 270; 81/363, 429

(57) **CLAIM**

We claim the ornamental design for an apparatus for securing a workpiece, as shown and described.

**DESCRIPTION**

(56) **References Cited**

**U.S. PATENT DOCUMENTS**

449,987 A	4/1891	Wies
457,710 A	8/1891	Emmert
693,811 A	2/1902	Yonge
703,376 A	7/1902	Bingham
777,611 A	12/1904	Dodge
1,106,096 A	8/1914	Hunt
1,497,107 A	6/1924	Lasell
1,890,114 A	12/1932	Fulton
2,430,458 A	11/1947	Farrell
2,559,925 A	7/1951	Barker
2,704,951 A	3/1955	Petersen
2,734,409 A	2/1956	Schum et al.
D181,115 S	10/1957	Vogl

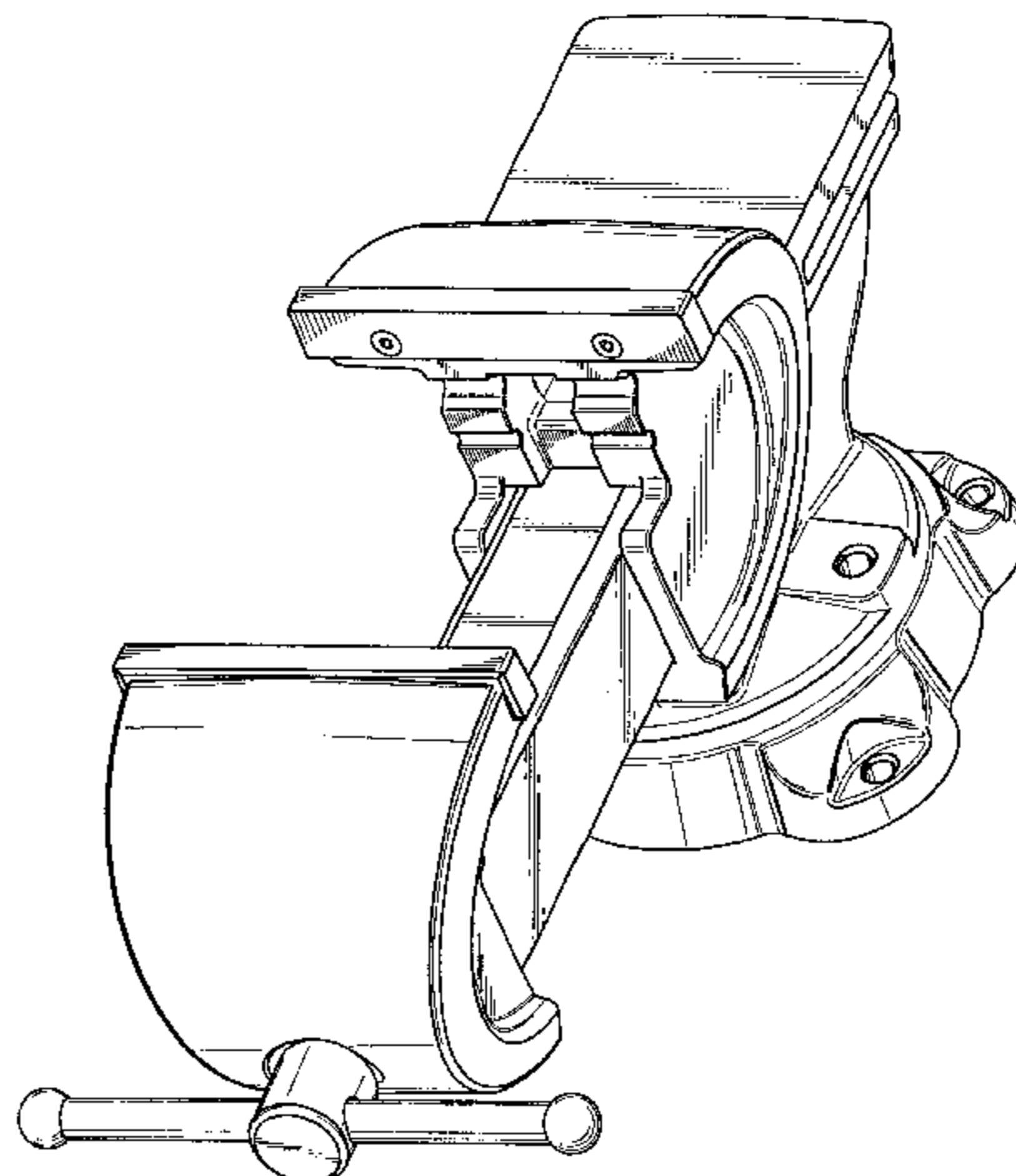
(List continued on next page.)

**FOREIGN PATENT DOCUMENTS**

DE	328149	10/1920
DE	332373	2/1921
DE	1 099 478	2/1961
DE	2 326 546	12/1974
DE	8907067	10/1989

FIG. 1 is a perspective view of an apparatus for securing a workpiece according to our new design;  
FIG. 2 is a perspective view of the apparatus for securing a workpiece of FIG. 1, viewed from behind and above the rear jaw;  
FIG. 3 is a left side elevational view of the apparatus for securing a workpiece of FIG. 1;  
FIG. 4 is a right side elevational view of the apparatus for securing a workpiece of FIG. 1;  
FIG. 5 is a front elevational view of the apparatus for securing a workpiece of FIG. 1;  
FIG. 6 is a rear elevational view of the apparatus for securing a workpiece of FIG. 1;  
FIG. 7 is a top plan view of the apparatus for securing a workpiece of FIG. 1;  
FIG. 8 is a side elevational view of the apparatus for securing a workpiece of FIG. 1, showing the jaws in an open position; and,  
FIG. 9 is a perspective view of the apparatus for securing a workpiece of FIG. 9, viewed at an angle to and above the forward jaw.

**1 Claim, 6 Drawing Sheets**



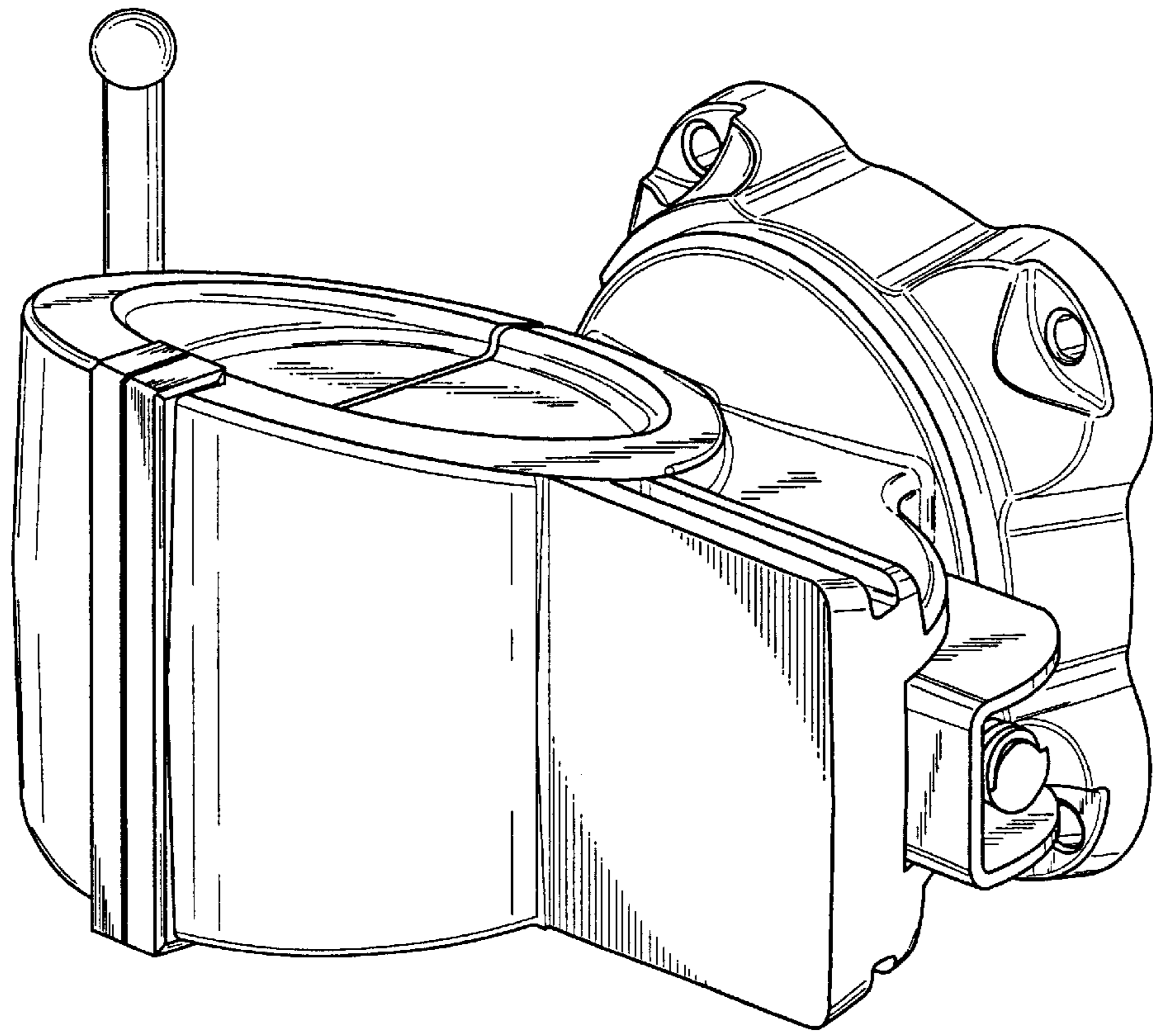
# US D485,740 S

Page 2

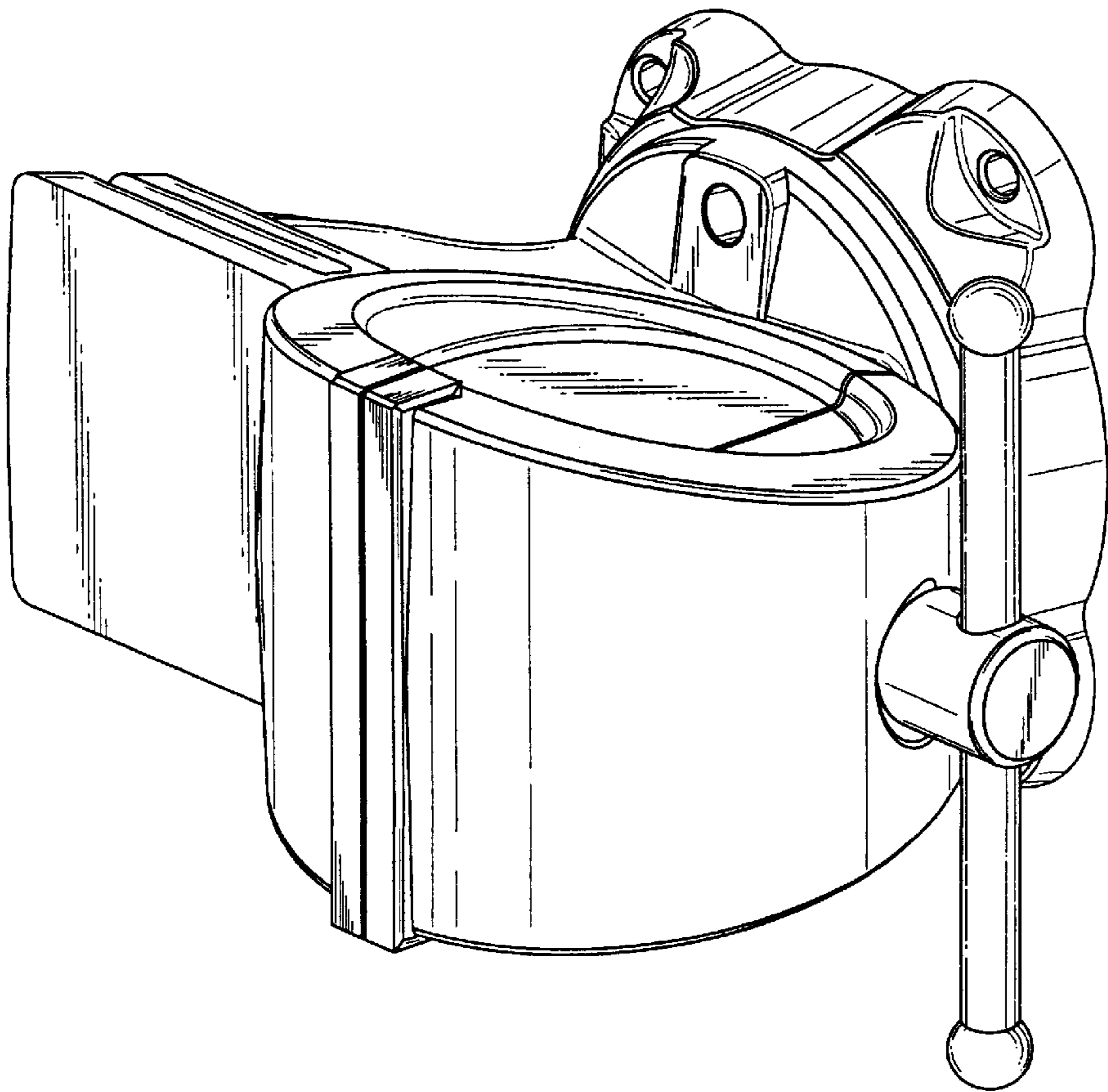
---

## U.S. PATENT DOCUMENTS

3,007,358 A	11/1961	Vogl et al.	3,675,916 A	7/1972	Kartasuk et al.
3,193,277 A	7/1965	Nagamori	3,768,797 A	10/1973	Kartasuk et al.
3,281,140 A	10/1966	Smierciak	4,040,613 A	8/1977	Kartasuk et al.
3,307,843 A	3/1967	Torossian	4,057,239 A	11/1977	Hopf et al.
3,377,061 A	4/1968	Watson	4,534,547 A	8/1985	Cox
3,492,886 A	2/1970	Naureckas	4,830,350 A	5/1989	Kuei
3,663,005 A	5/1972	Peddinghaus	6,135,435 A	10/2000	Schmitz
3,669,440 A	6/1972	Kartasuk et al.	6,347,792 B1	2/2002	O'Brien
			2002/0043752 A1	4/2002	Reed et al.



*Fig. 2*



*Fig. 1*

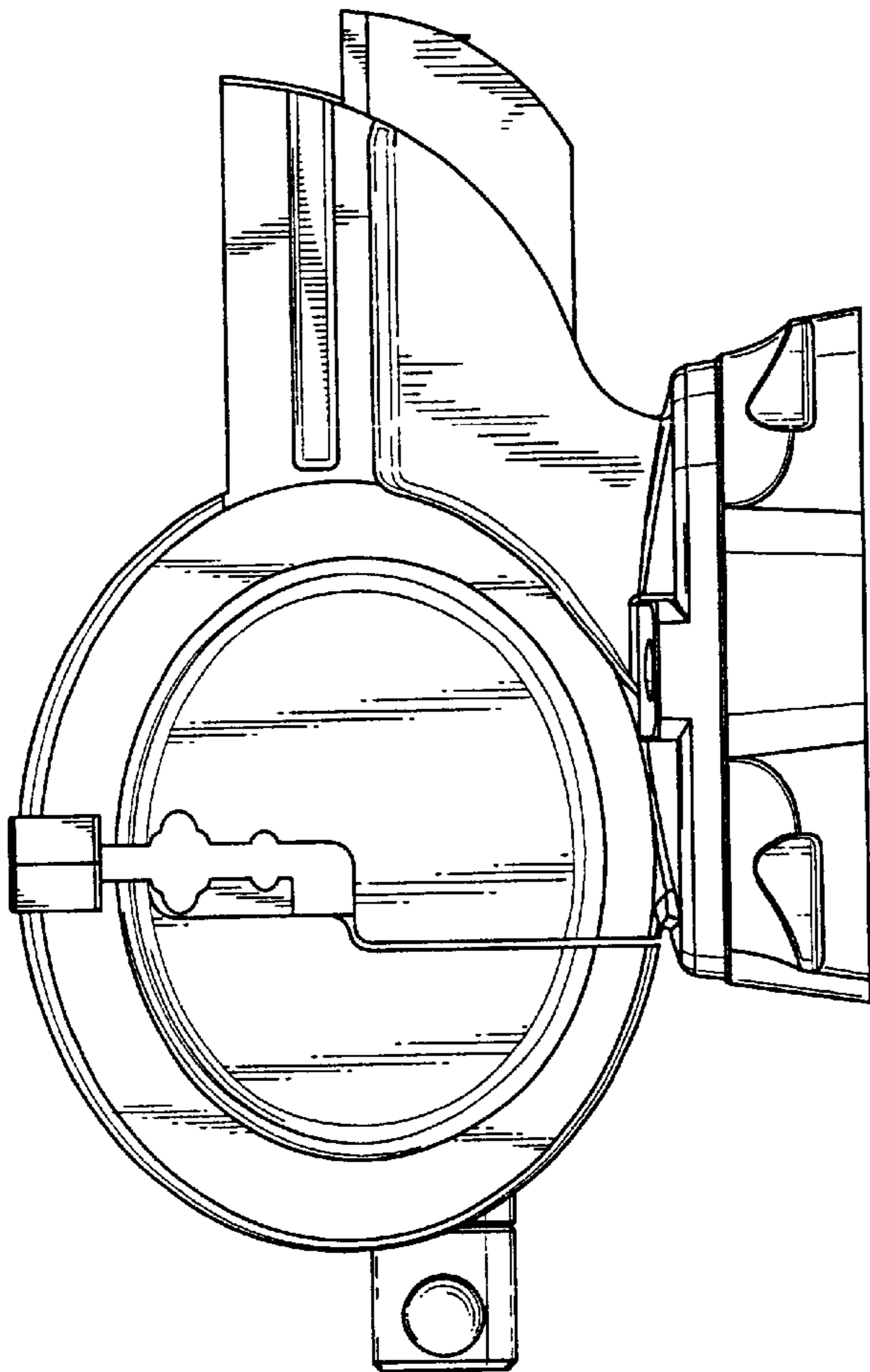
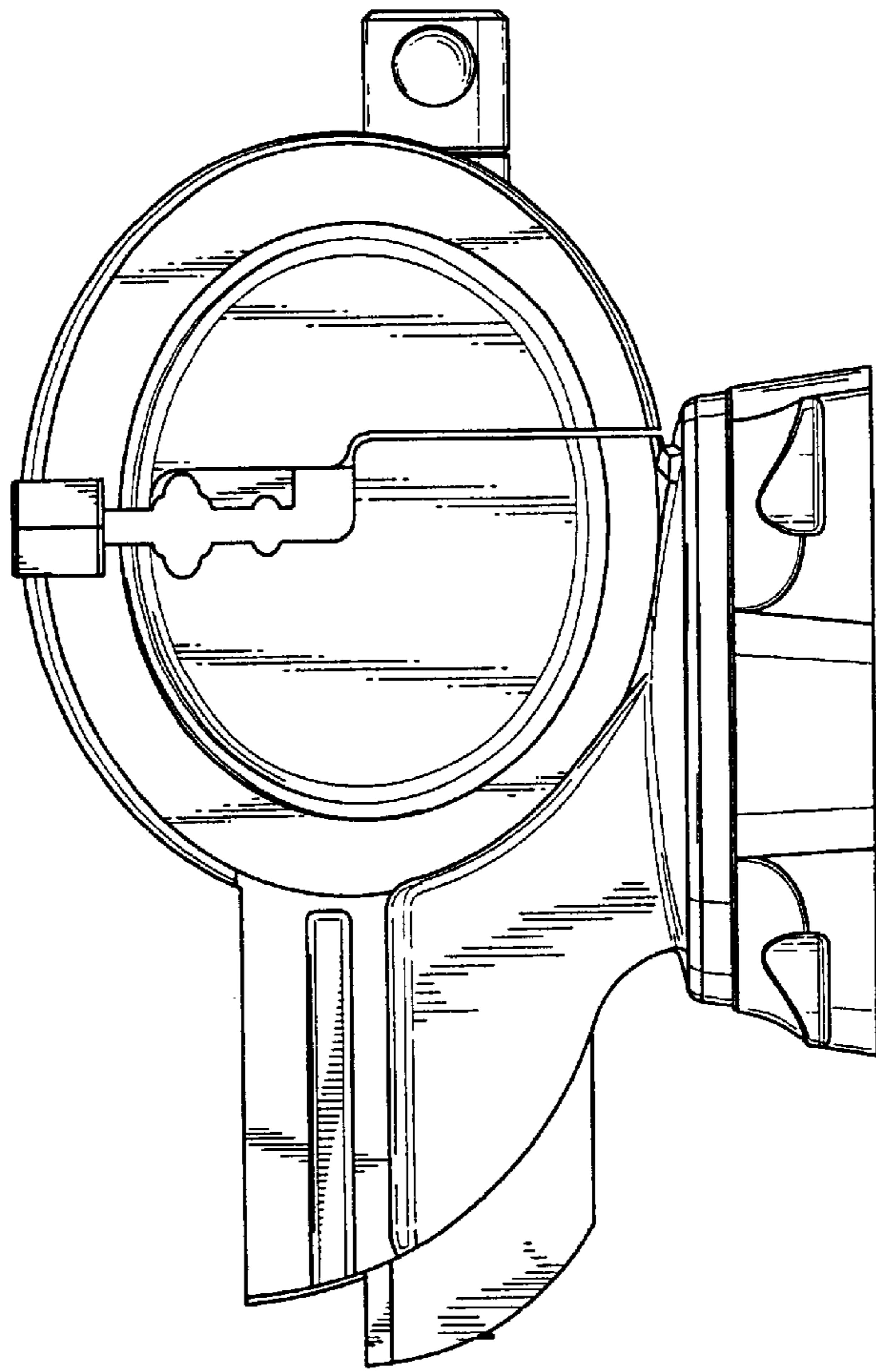
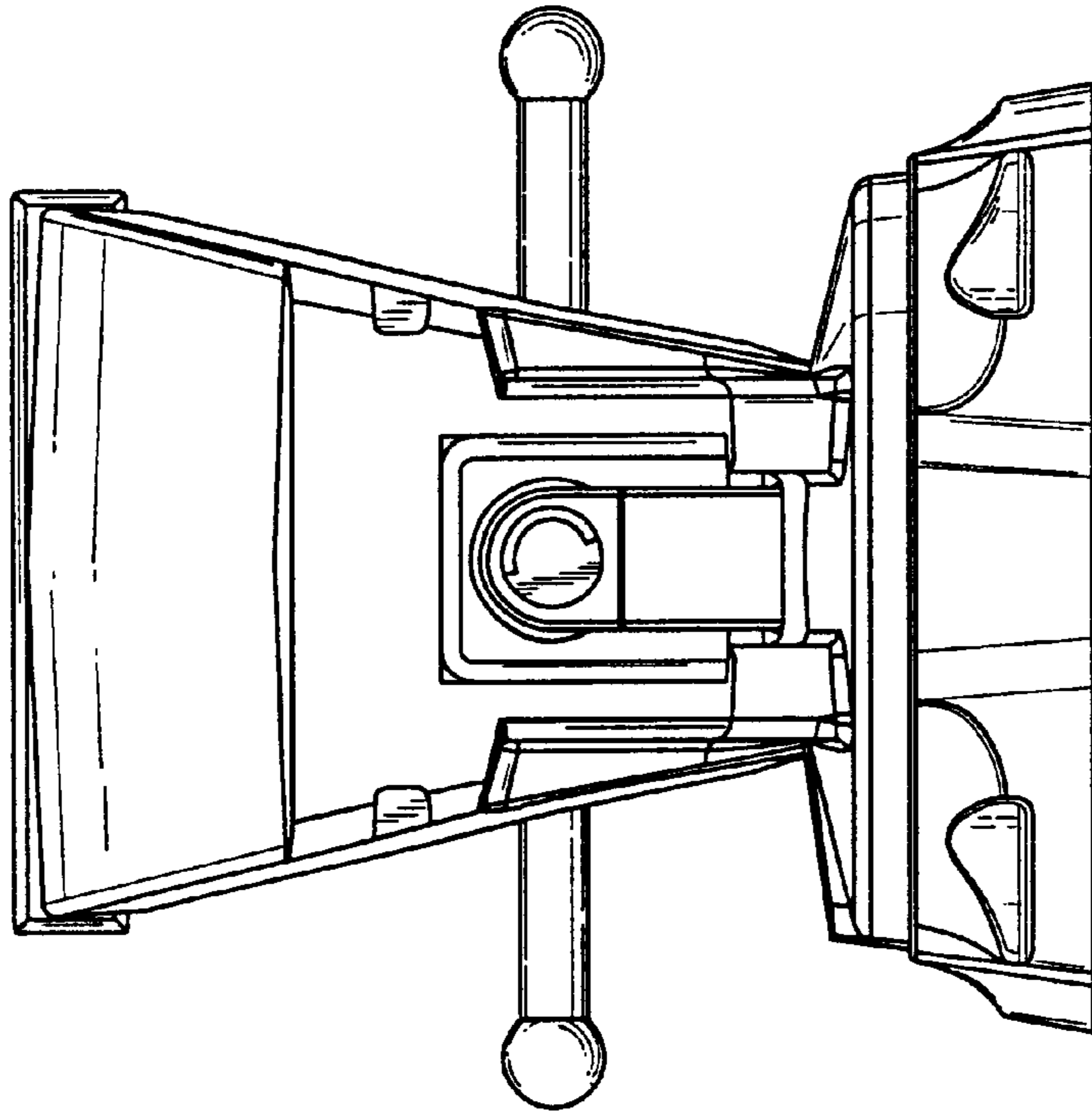


Fig. 3

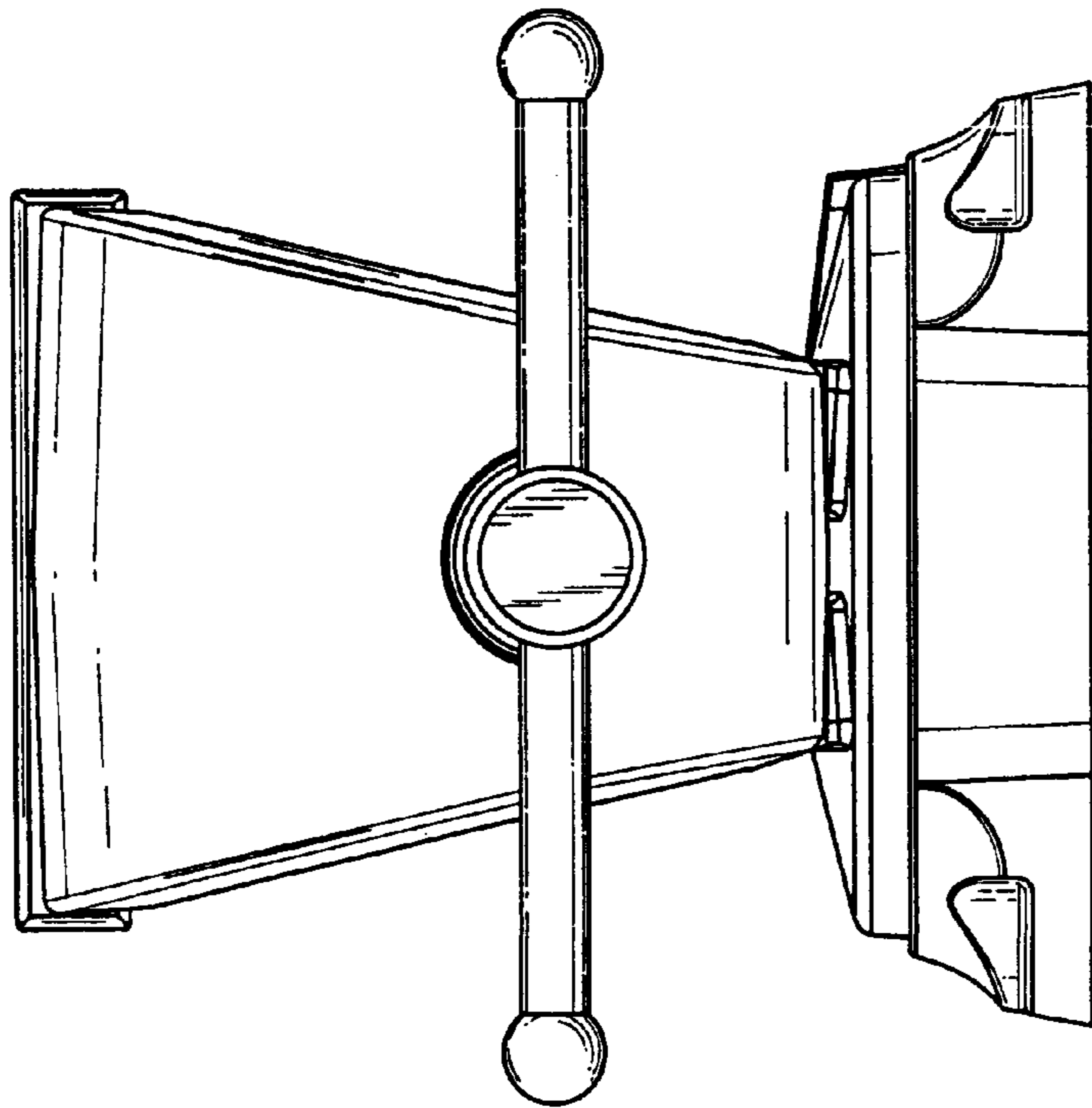
Fig. 4



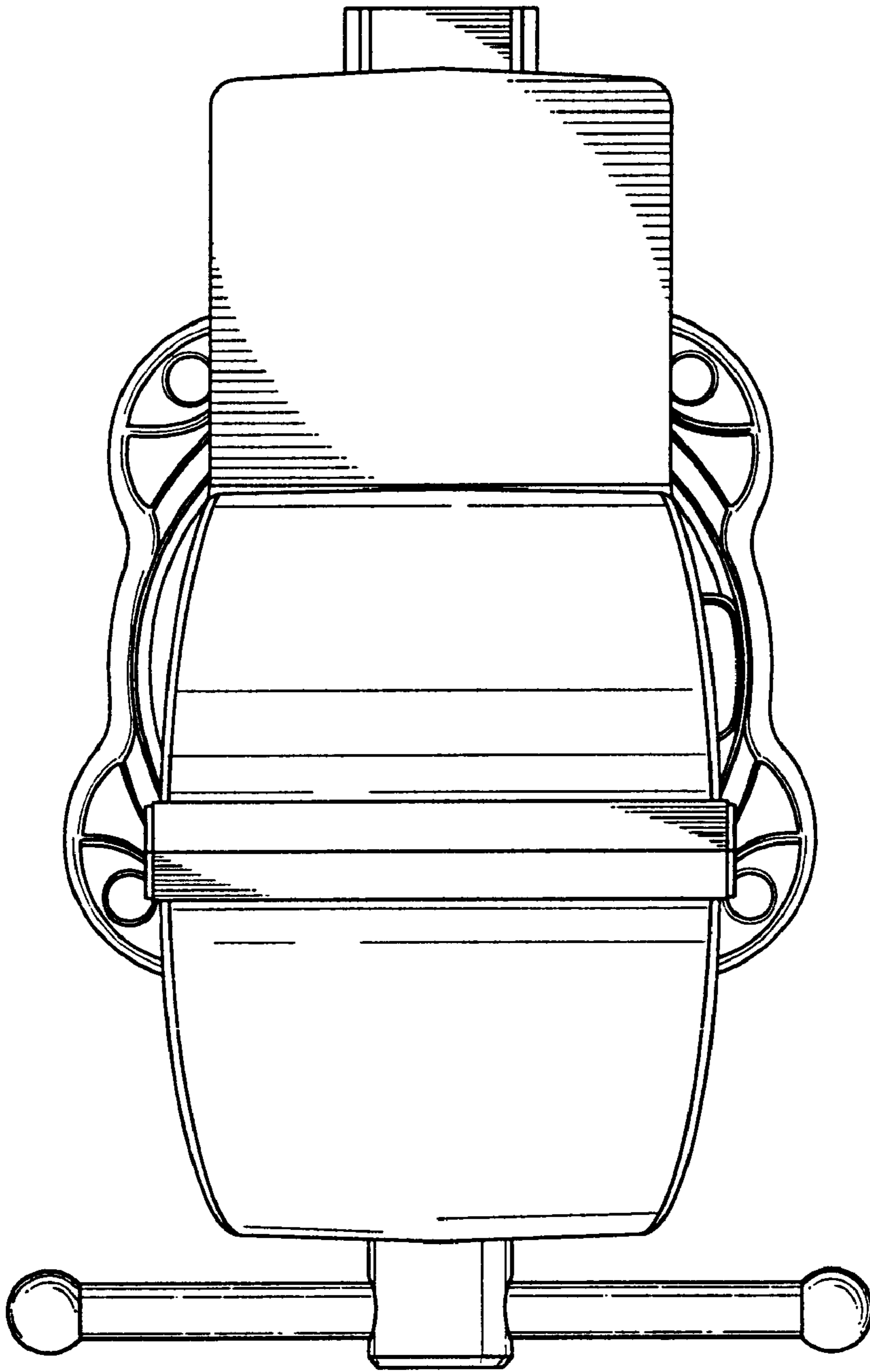




*Fig. 6*



*Fig. 5*



*Fig. 7*

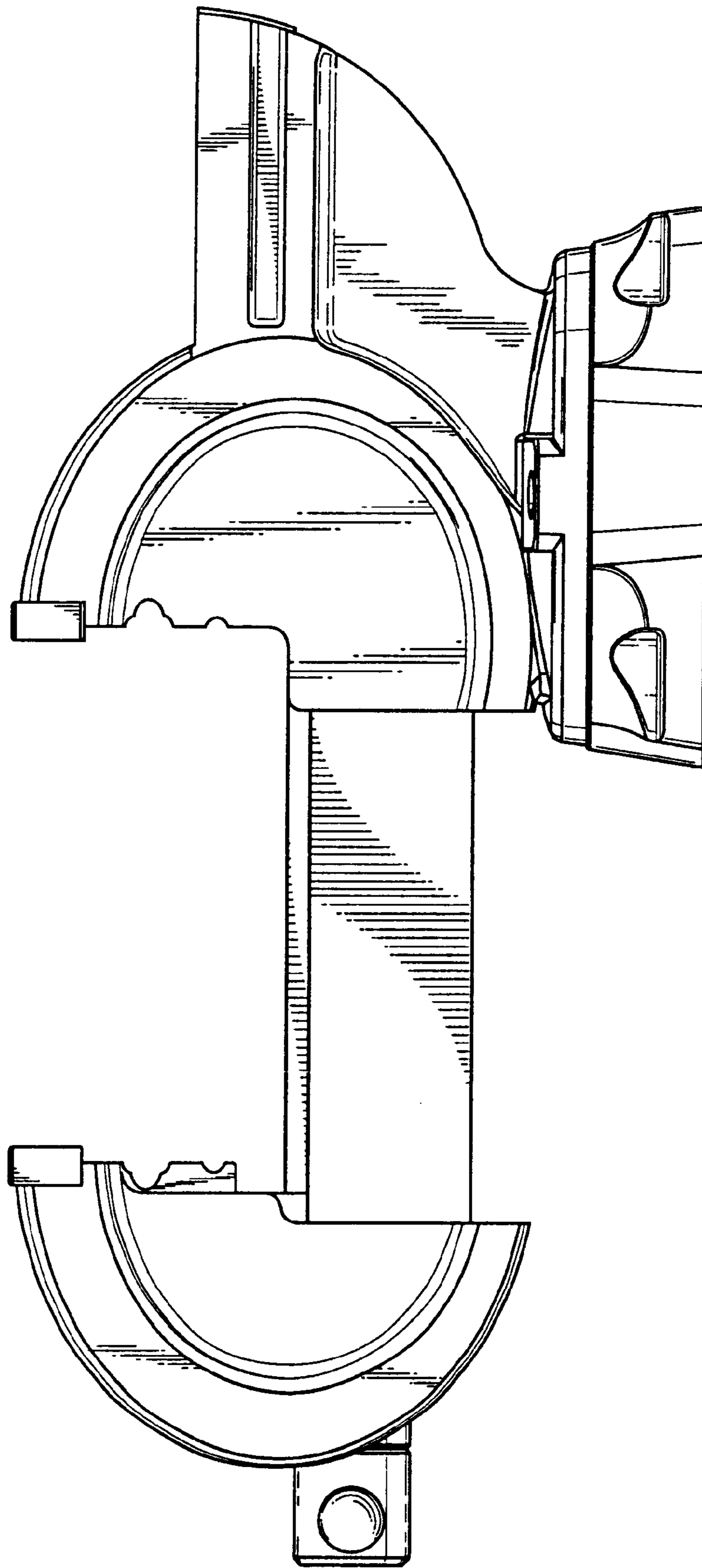


Fig. 8

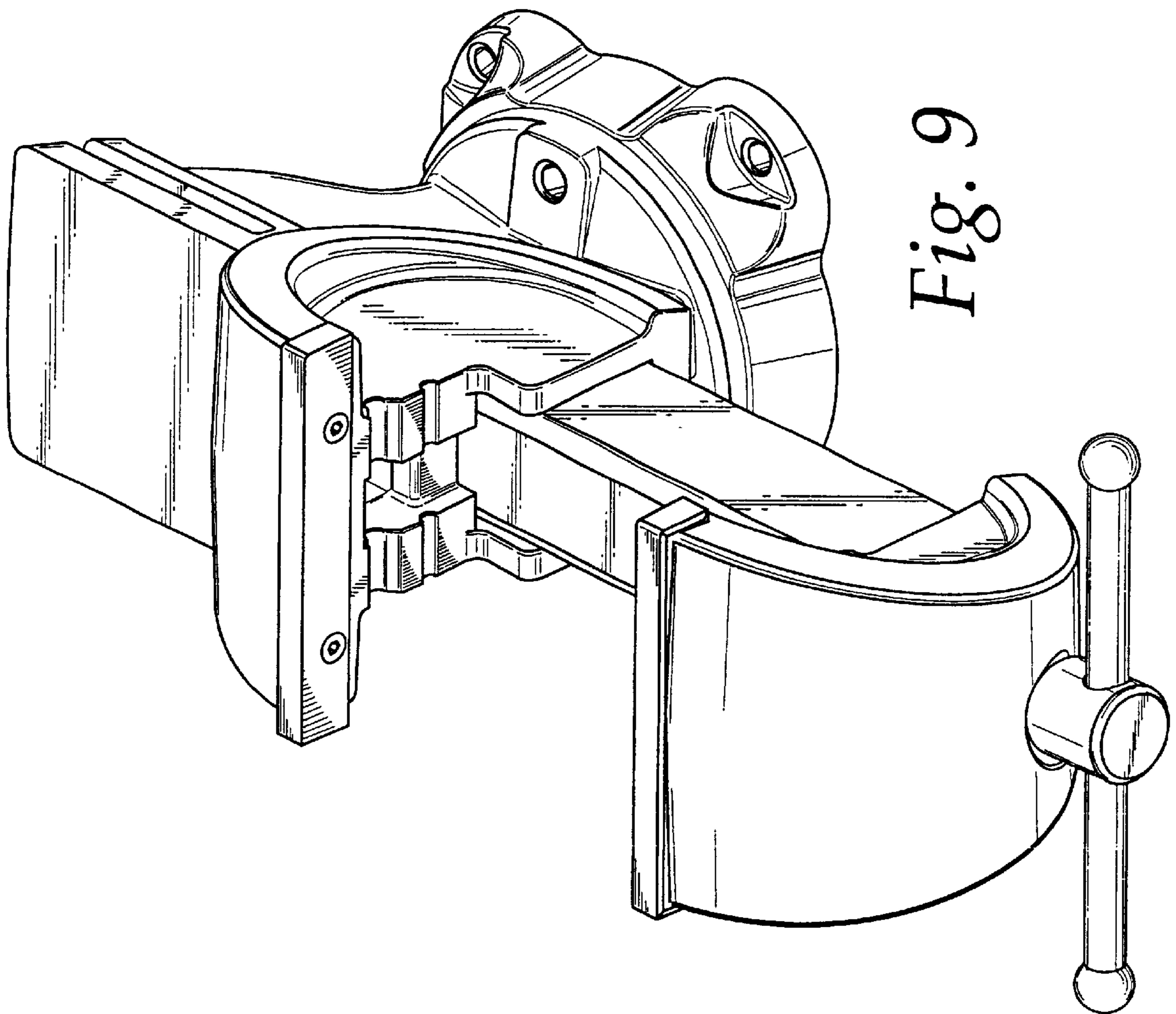


Fig. 9