



US00D485736S

(12) **United States Design Patent**
Phillips et al.

(10) **Patent No.:** **US D485,736 S**
(45) **Date of Patent:** **** Jan. 27, 2004**

(54) **SCISSORS**

(75) Inventors: **Marta Phillips**, Fairfield, CT (US);
Dan Brady, Berkshire (GB); **Will Knight**, London (GB); **Tim Manson**, London (GB)

(73) Assignee: **Acme United Corporation**, Fairfield, CT (US)

(**) Term: **14 Years**

(21) Appl. No.: **29/169,303**

(22) Filed: **Oct. 17, 2002**

(51) **LOC (7) Cl.** **08-03**

(52) **U.S. Cl.** **D8/57**

(58) **Field of Search** D8/5, 57; D24/148;
606/174; 30/120, 145, 194, 229, 230, 232,
248, 254, 257, 260, 262, 298; 7/135

(56) **References Cited**

U.S. PATENT DOCUMENTS

D237,038 S	*	10/1975	Laurenti	D8/57
D254,421 S	*	3/1980	Backstrom	D8/57
D396,394 S	*	7/1998	Gstadler	D8/57
D456,230 S	*	4/2002	Gstadler	D8/57
D460,671 S	*	7/2002	Chan	D8/57
6,493,947 B2	*	12/2002	Stokes	30/232
D470,026 S	*	2/2003	DiPalma	D8/57
D472,122 S	*	3/2003	Manson et al.	D8/57
D473,438 S	*	4/2003	Manson et al.	D8/57

OTHER PUBLICATIONS

Guernsey Office Products' 2001 General Line Catalog; p. 976, item "J"—straight trimmer, and item "S"—soft handle trimmer.*

Guernsey Office Products' 2001 General Line Catalog; p. 975, item "L"—recycled scissors.*

* cited by examiner

Primary Examiner—Clare E. Heflin

(74) *Attorney, Agent, or Firm*—Ohlandt, Greeley, Ruggiero & Perle, LLP

(57) **CLAIM**

The ornamental design for the scissors, as shown and described.

DESCRIPTION

FIG. 1 illustrates a top view of the scissors of the present invention;

FIG. 2 illustrates a side view of the scissors of the present invention;

FIG. 3 illustrates a bottom view of the scissors of the present invention;

FIG. 4 illustrates a side view, opposite the side view shown in FIG. 2, of the scissors of the present invention;

FIG. 5 illustrates a front end view of the scissors of the present invention; and,

FIG. 6 illustrates a rear end view of the scissors of the present invention.

1 Claim, 2 Drawing Sheets

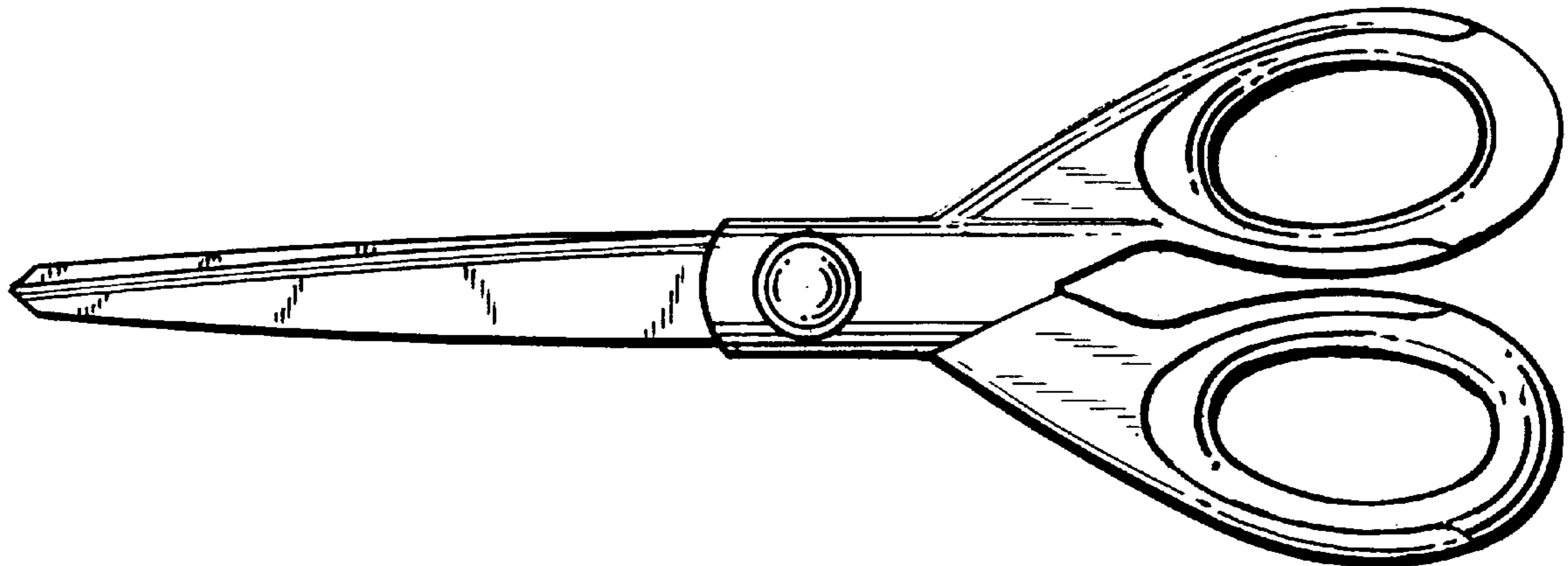


FIG.1

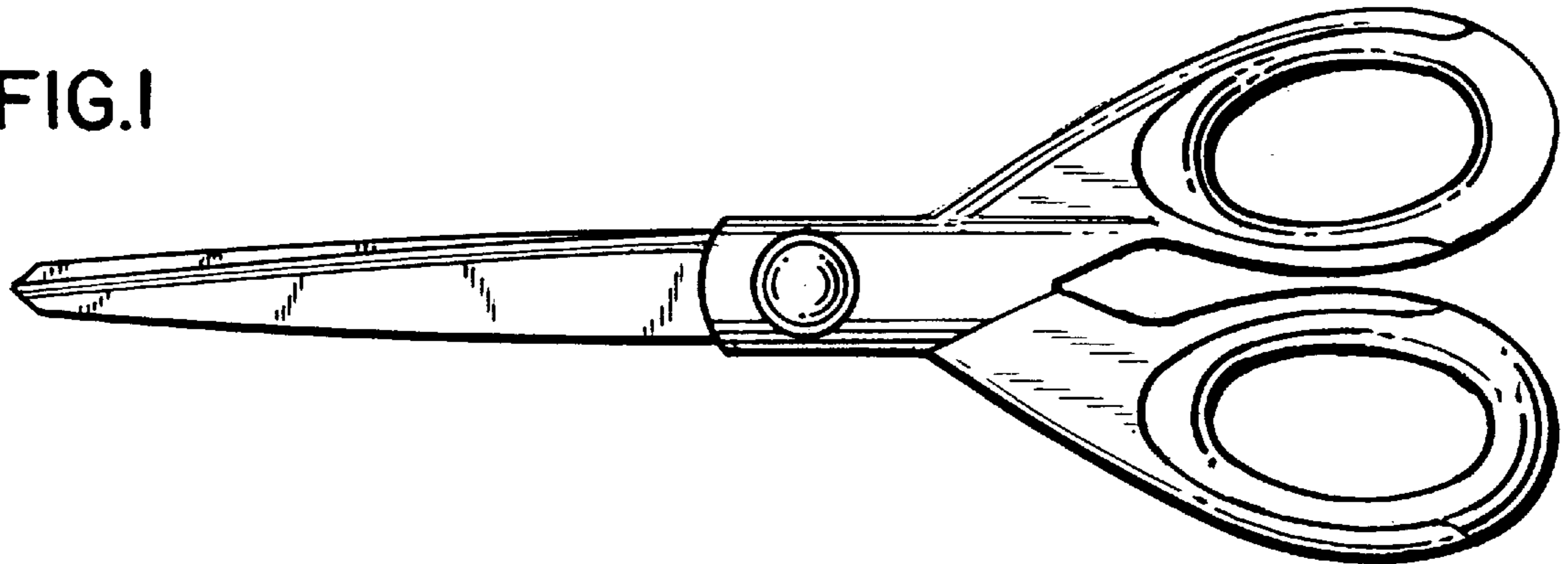


FIG.2



FIG.3

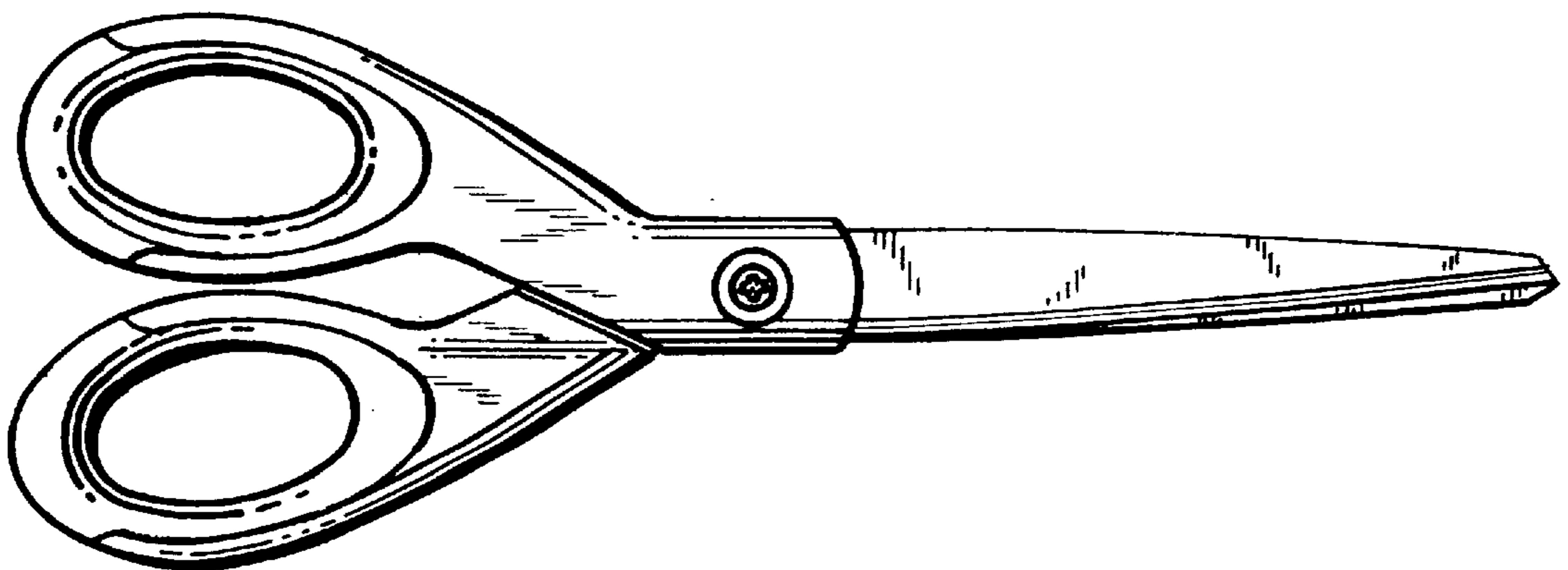


FIG.4

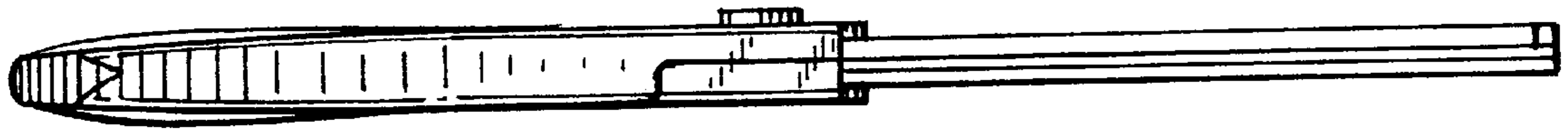


FIG.5

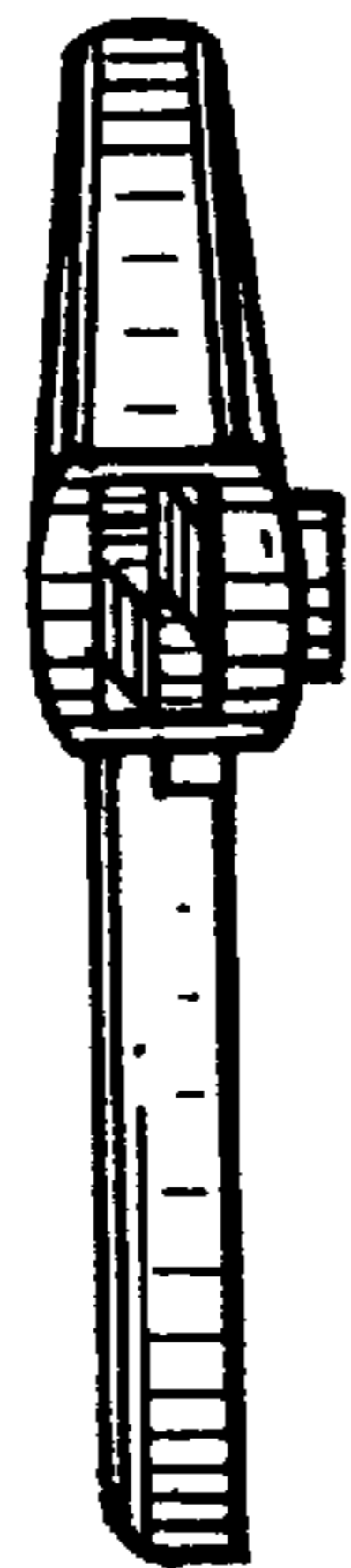


FIG.6

