



US00D485732S

(12) **United States Design Patent**
Lanman et al.

(10) **Patent No.:** **US D485,732 S**
(45) **Date of Patent:** **** Jan. 27, 2004**

- (54) **FRONT PANEL FOR A COOLER**
- (75) Inventors: **John Lanman**, Naperville, IL (US);
Korie Trevino, Green Oaks, IL (US)
- (73) Assignee: **Thermos L.L.C.**, Rolling Meadows, IL (US)
- (**) Term: **14 Years**
- (21) Appl. No.: **29/170,370**
- (22) Filed: **Nov. 5, 2002**
- (51) **LOC (7) Cl.** **07-01**
- (52) **U.S. Cl.** **D7/607**
- (58) **Field of Search** D7/605–608, 629,
D7/709; D3/273, 276, 283–287, 289; 190/110;
220/592.2, 592.24, 592.25, 915.1, 915.2;
383/97, 110, 113; 62/457.1, 457.7, 371,
372

- (56) **References Cited**
- U.S. PATENT DOCUMENTS
- D340,840 S * 11/1993 Melk D7/607
- D412,269 S * 7/1999 Wyant D7/709

* cited by examiner

Primary Examiner—Terry A. Wallace
(74) *Attorney, Agent, or Firm*—Wood, Phillips, Katz, Clark & Mortimer

(57) **CLAIM**

The ornamental design of a front panel for a cooler, as shown and described.

DESCRIPTION

FIG. 1 is a perspective view taken from the upper left corner of our front panel design for a cooler of small capacity; FIG. 2 is a perspective view taken from the lower right of our front panel design as embodied in a cooler of small capacity; FIG. 3 is a front elevation of our front panel design embodied in a cooler of small capacity;

FIG. 4 is a right side elevation taken from the right of our front panel design embodied on a cooler of a small capacity; FIG. 5 is an elevational taken from the left of our front panel for a cooler design embodied in a cooler of small capacity; FIG. 6 is a plan view of our front panel design embodied in a cooler of a medium small capacity; FIG. 7 is a bottom view of our front panel design embodied in a cooler of small capacity; FIG. 8 is a perspective view taken from the upper left corner of our front panel design for a cooler of a medium small capacity; FIG. 9 is a perspective view taken from the lower right of our front panel design as embodied in a cooler of a medium small capacity; FIG. 10 is a front elevation of our front panel design embodied in a cooler of a medium small capacity; FIG. 11 is a right side elevation taken from the right of our front panel design embodied in a cooler of medium small capacity; FIG. 12 is an elevational taken from the left of our front panel for a cooler design embodied in a cooler of medium small capacity; FIG. 13 is a plan view of our front panel design embodied in a cooler of a medium small capacity; FIG. 14 is a bottom view of our front panel design embodied in a cooler medium small capacity; FIG. 15 is a perspective view taken from the upper left corner of our front panel design for a cooler of medium large capacity; FIG. 16 is a perspective view taken from the lower right of our front panel design as embodied in a cooler of medium large capacity; FIG. 17 is a front elevation of our front panel design embodied in a cooler of medium large capacity; FIG. 18 is a right side elevation taken from the right of our front panel design embodied in a cooler of medium large capacity; FIG. 19 is an elevational taken from the left of our front panel for a cooler design embodied in a cooler of medium large capacity; FIG. 20 is a plan view of our front panel design embodied in a cooler of medium large capacity; FIG. 21 is a bottom view of our front panel design embodied in a cooler of medium large capacity;

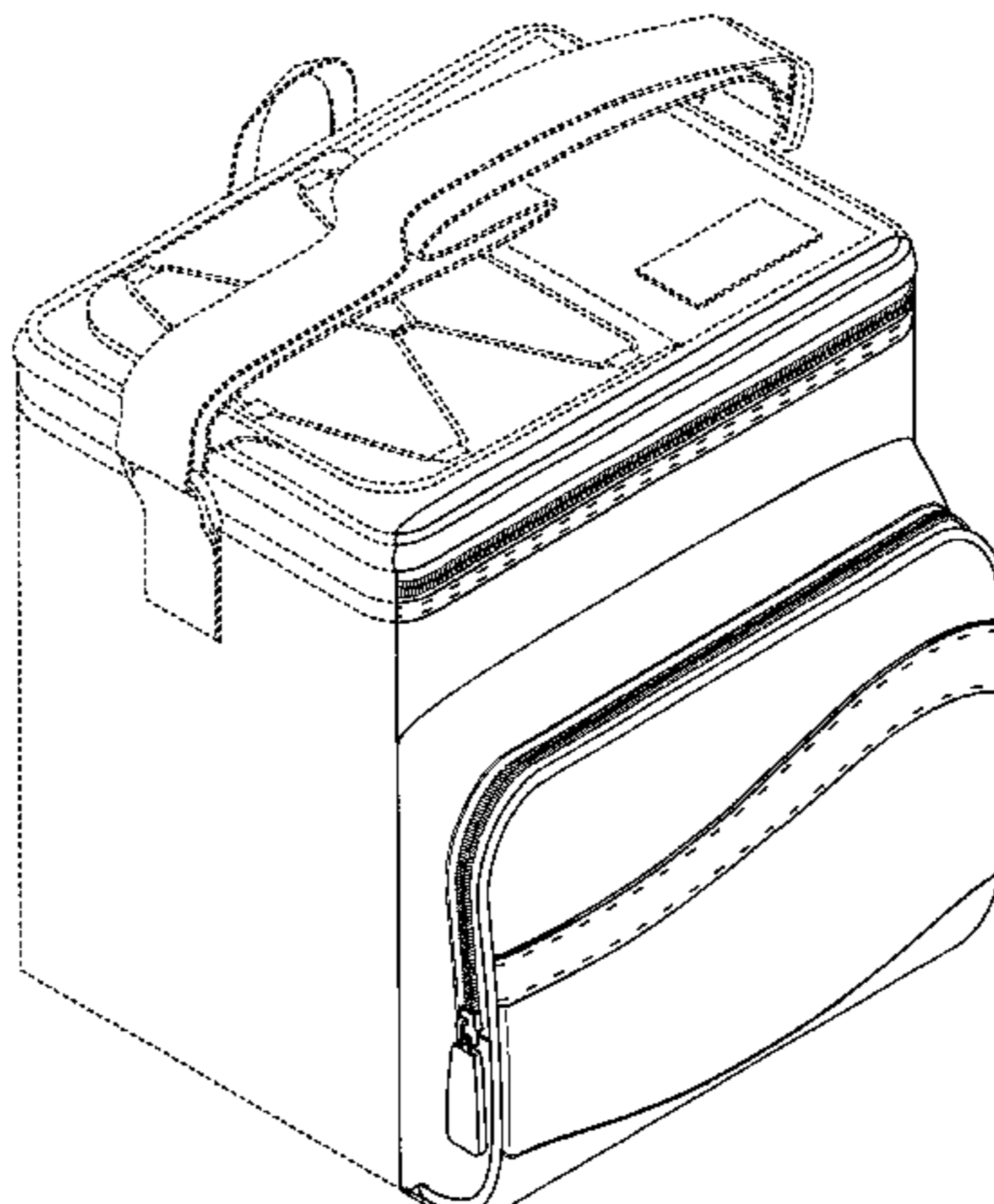


FIG. **22** is a perspective view taken from the upper left corner of our front panel design for a cooler of large capacity;

FIG. **23** is a perspective view taken from the lower right of our front panel design as embodied in a cooler of large capacity;

FIG. **24** is a front elevation of our front panel design embodied in a cooler of large capacity;

FIG. **25** is a right side elevation taken from the right of our front panel design embodied in a cooler of large capacity;

FIG. **26** is an elevational taken from the left of our front panel for a cooler design embodied in a cooler of large capacity;

FIG. **27** is a plan view of our front panel design embodied in a cooler of large capacity; and,

FIG. **28** is a bottom view of our front panel design embodied in a cooler of large capacity.

The broken lines are for illustrative purposes only and form no part of the claimed design.

It is to be particularly noted that in considering the drawings hereof, that the ratio of the top to bottom dimension to the side to side dimension of our front panel for a cooler design can be varied in accordance with the capacity of the cooler with which the front panel for a cooler design is to be associated as illustrated, for example, in the 4 embodiments shown.

1 Claim, 20 Drawing Sheets

Fig. 1

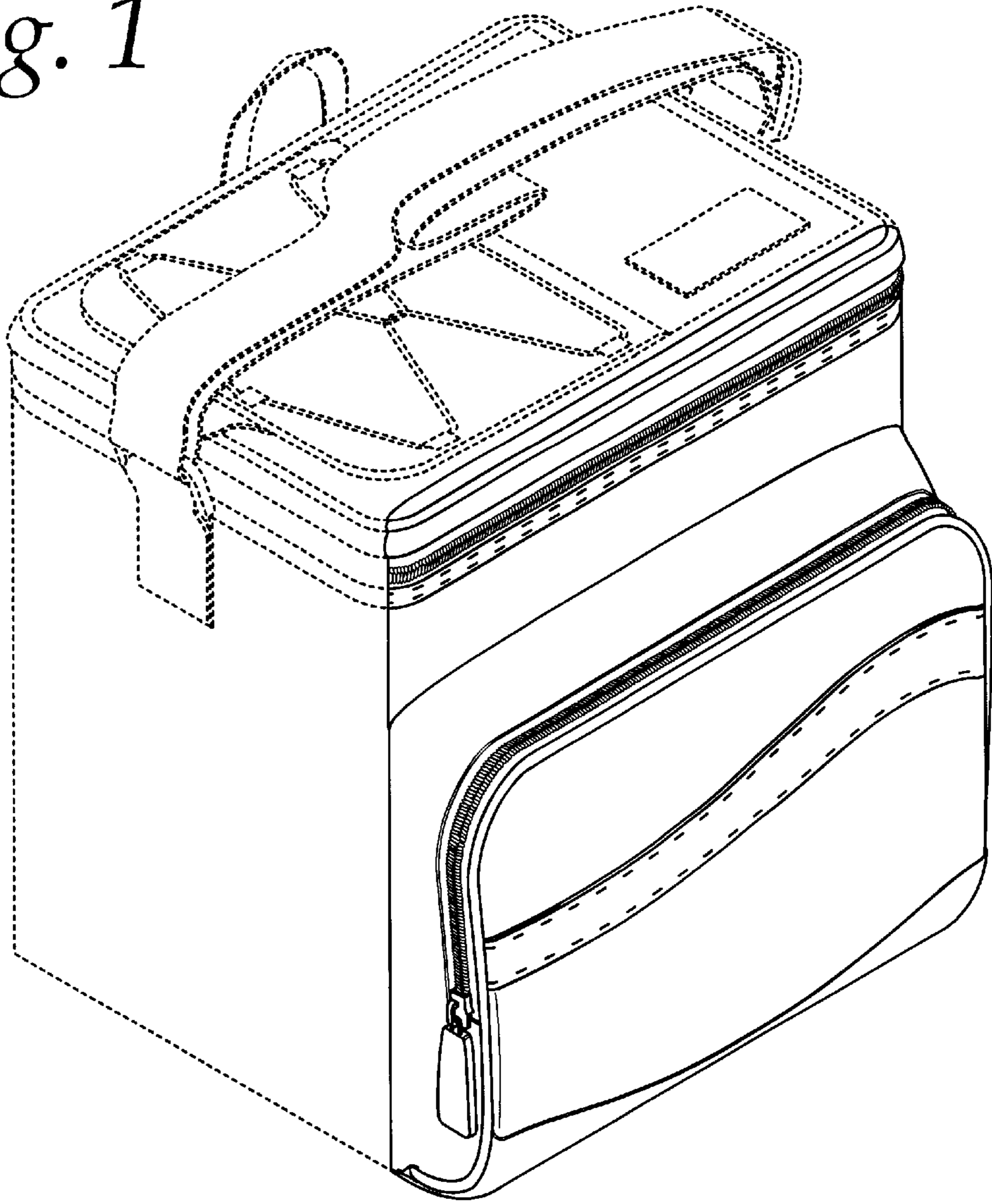


Fig. 2

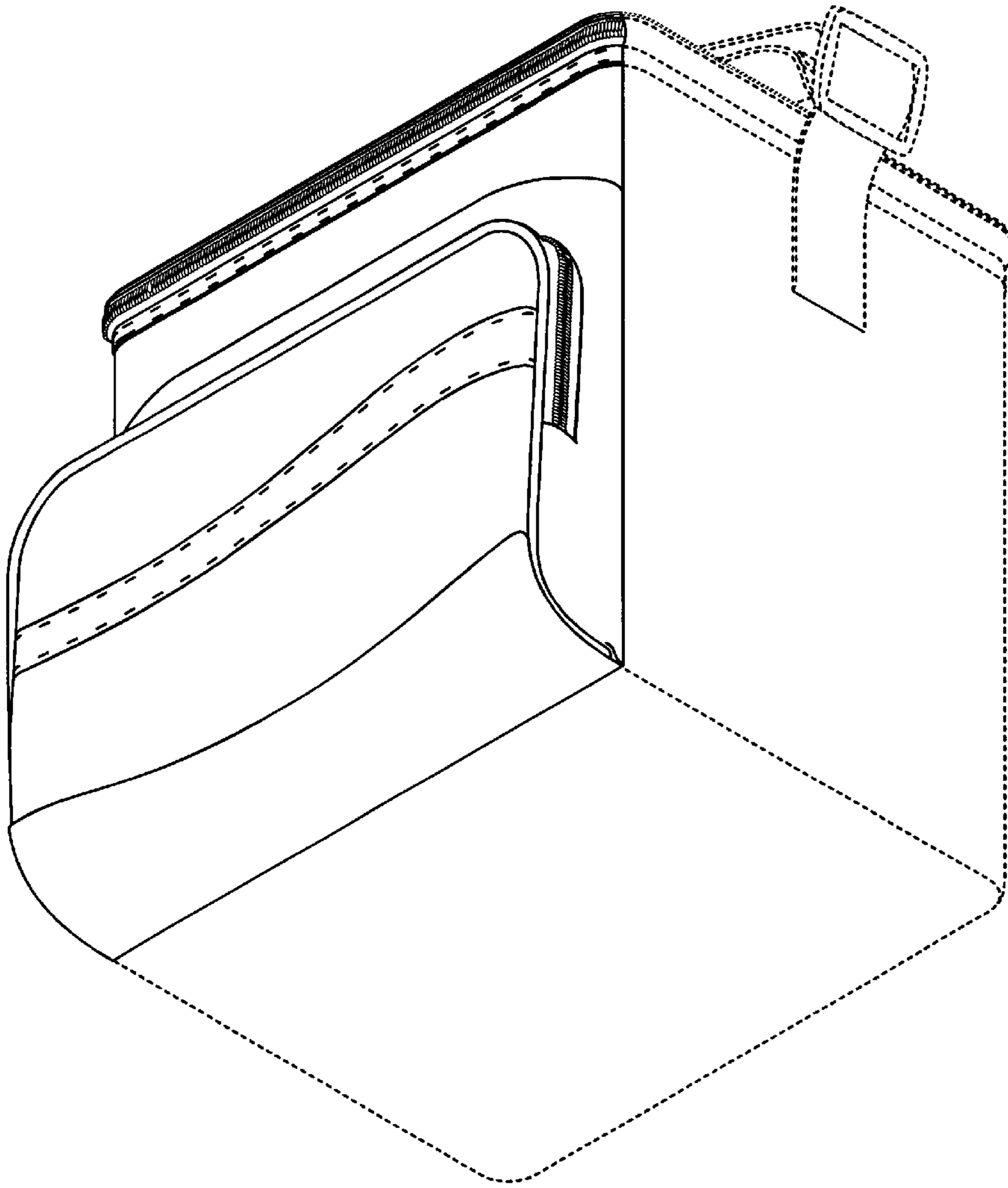


Fig. 3

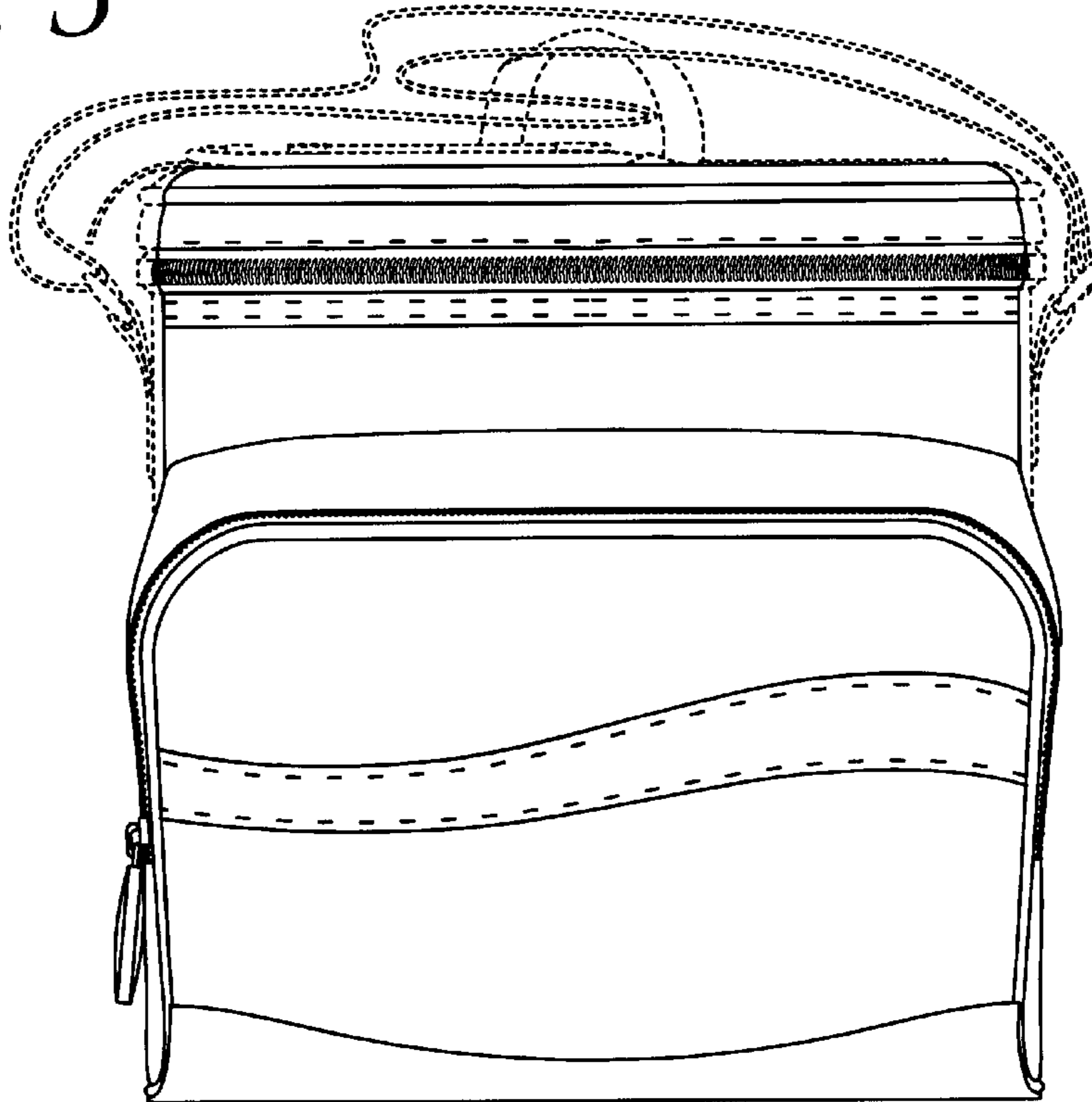


Fig. 4

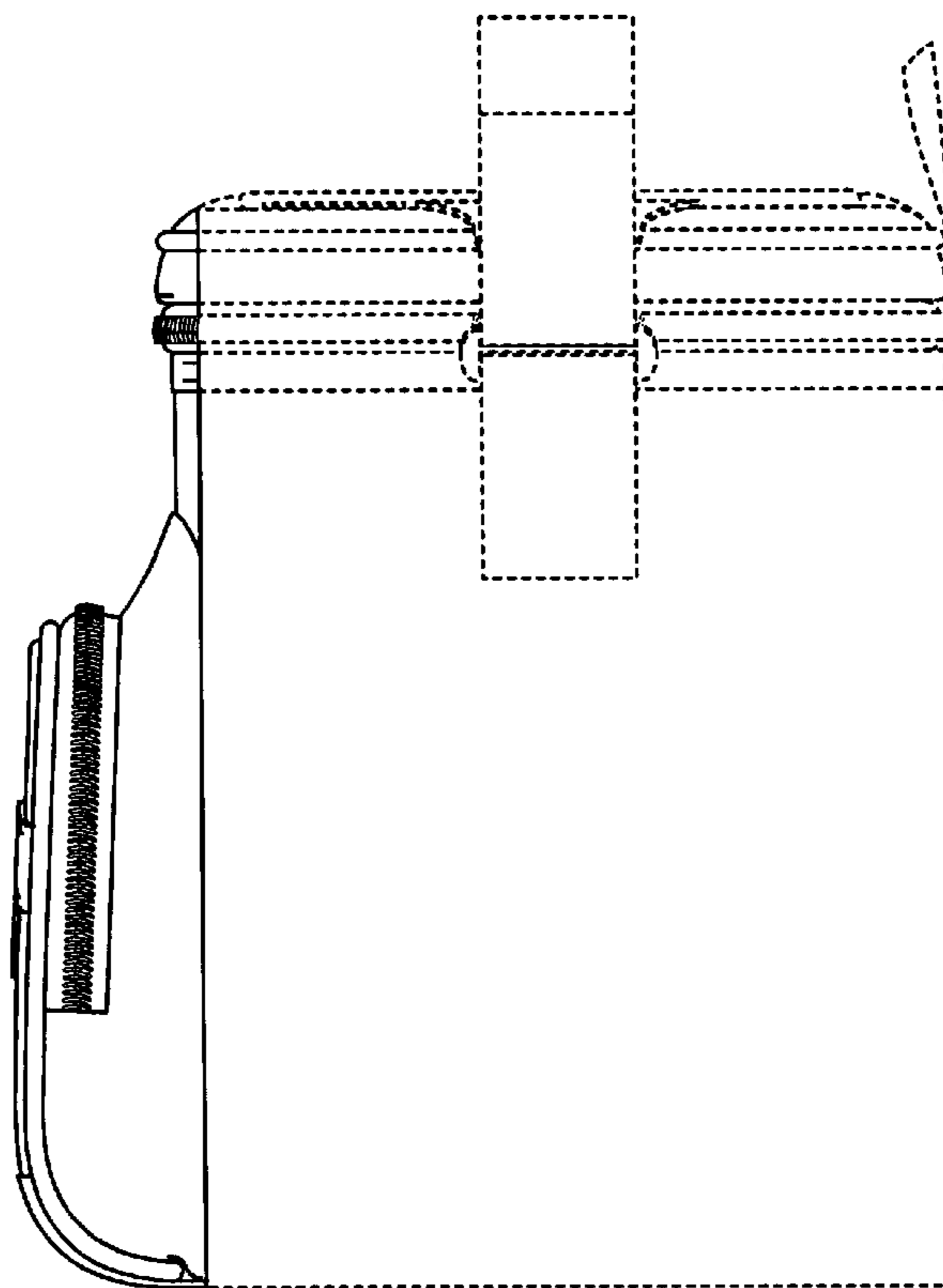


Fig. 5

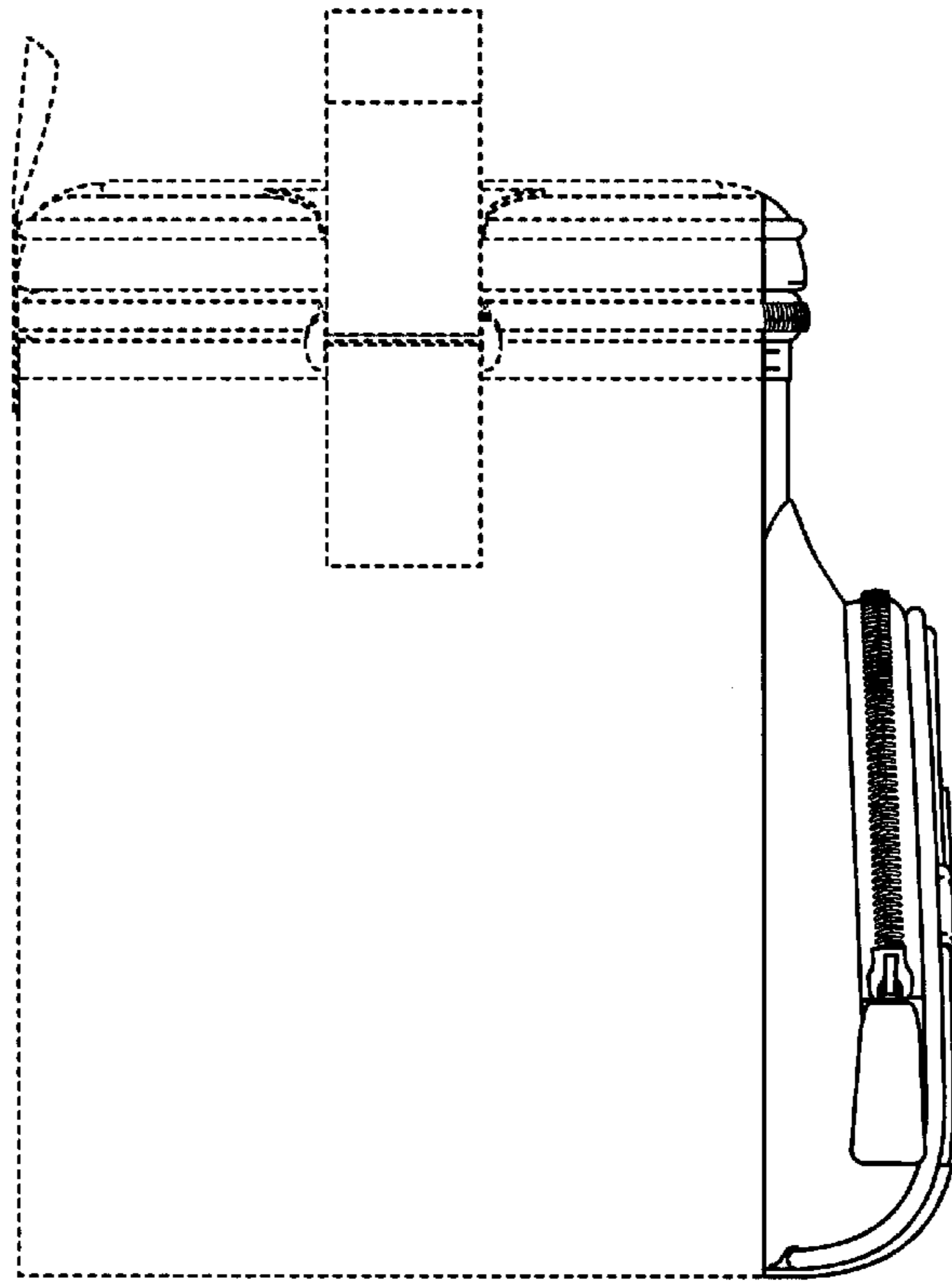


Fig. 6

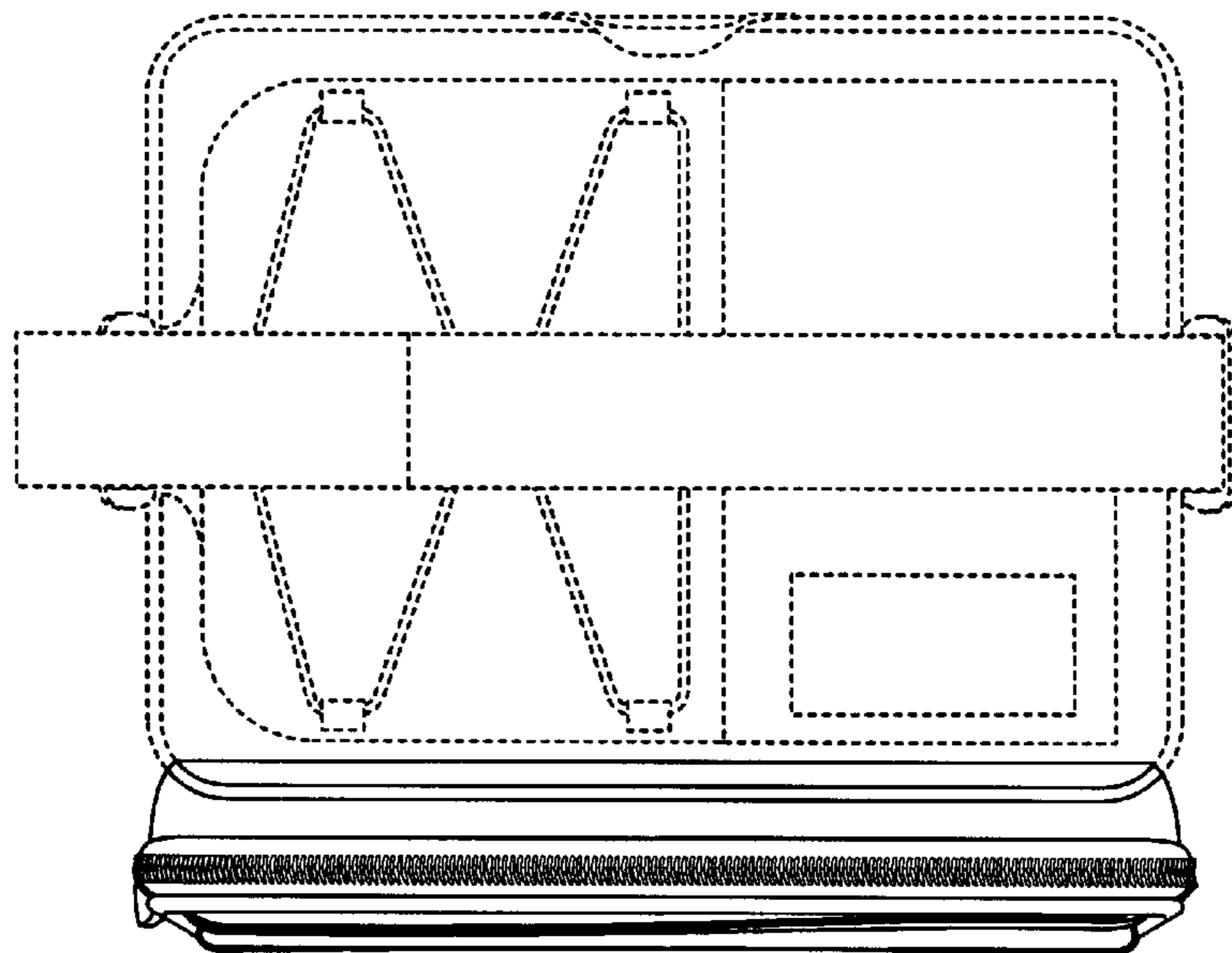


Fig. 7

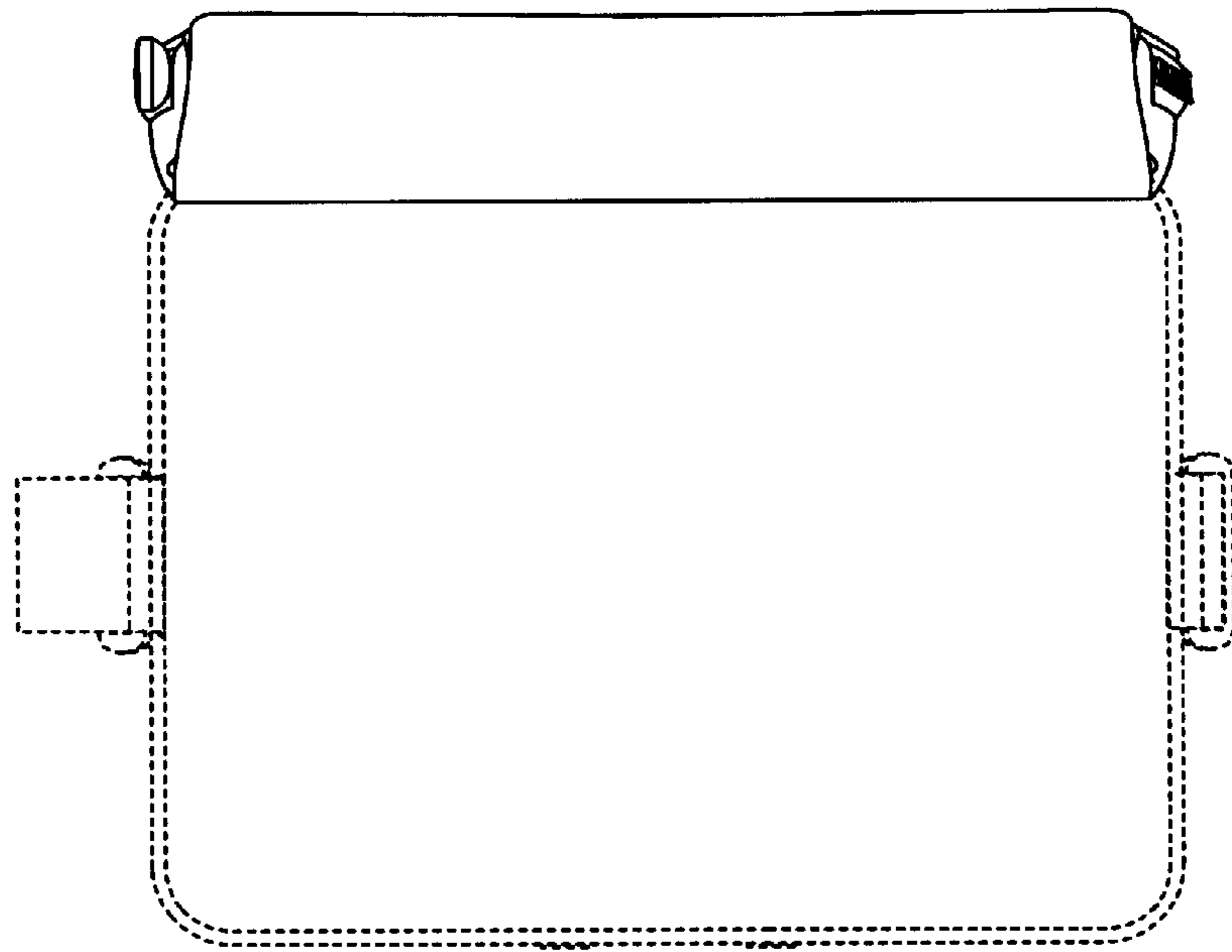


Fig. 8

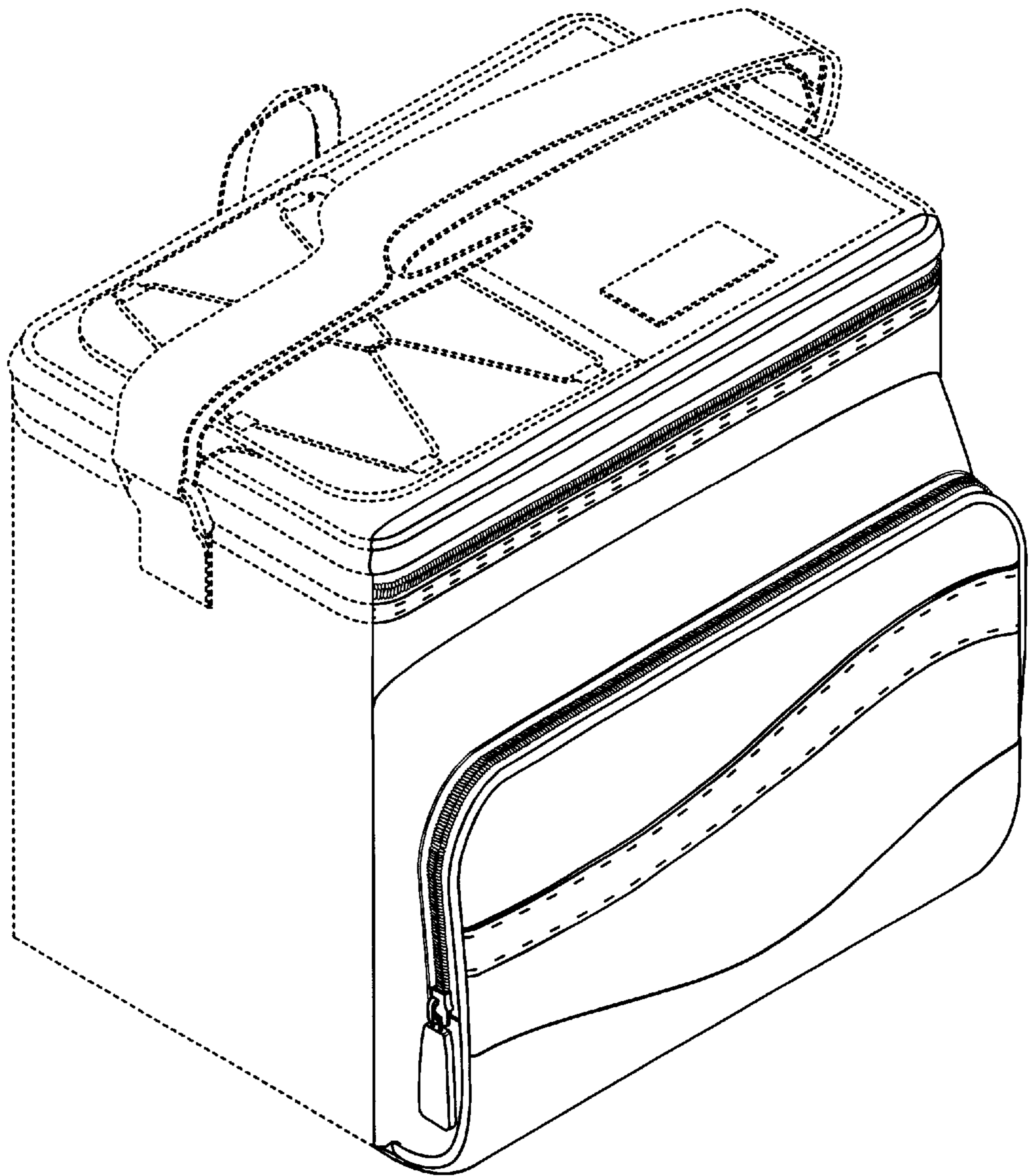


Fig. 9

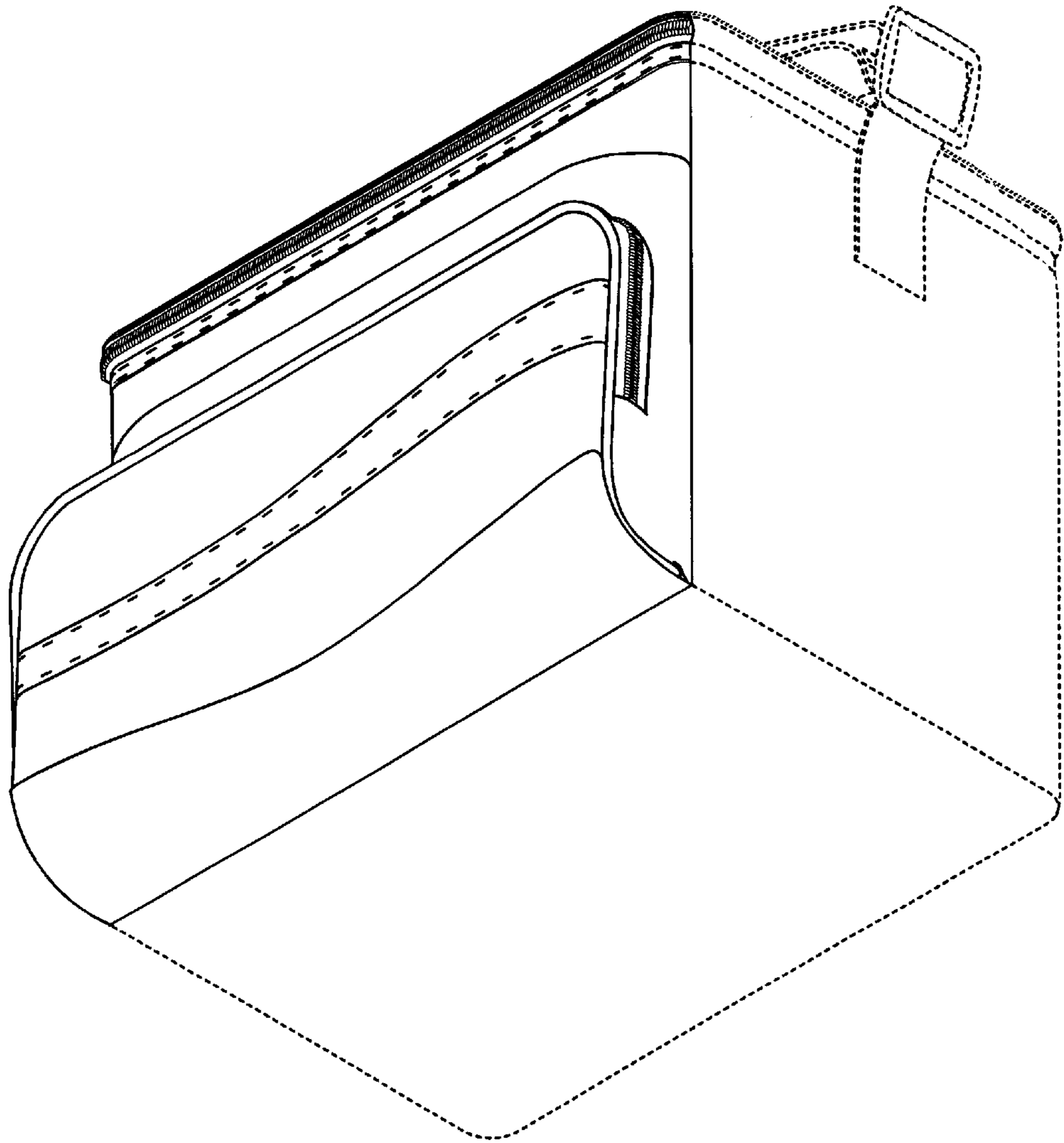


Fig. 10

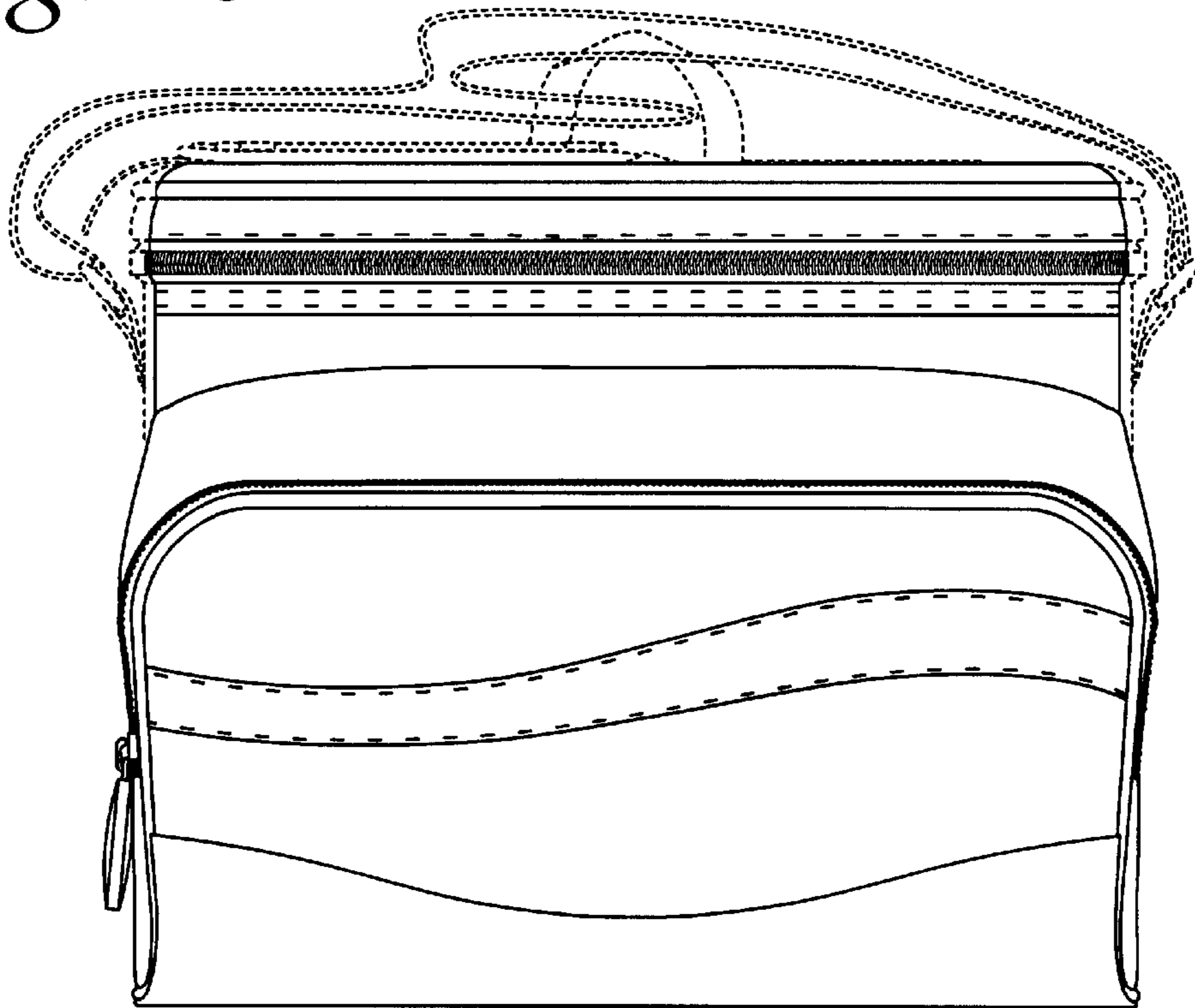


Fig. 11

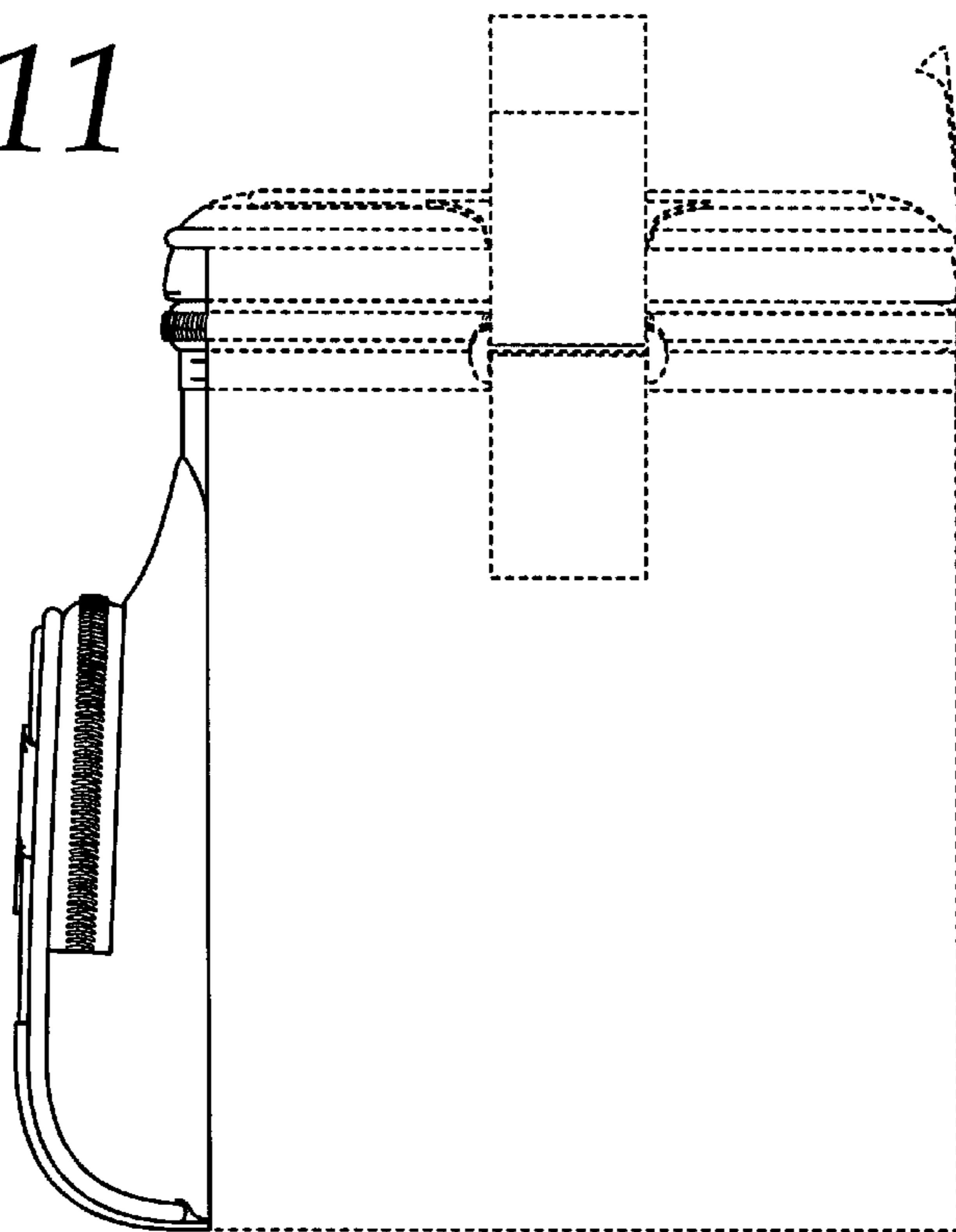


Fig. 12

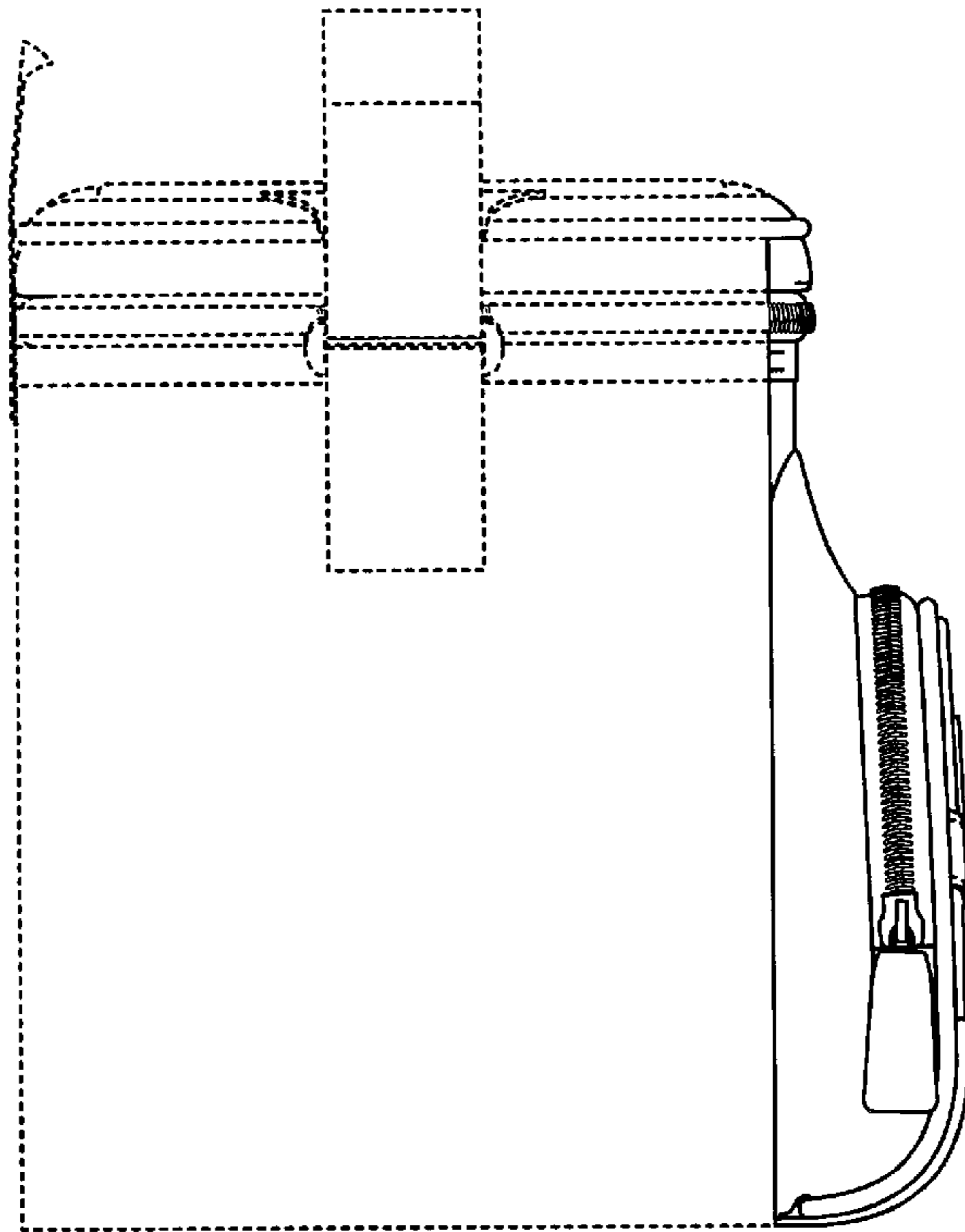


Fig. 13

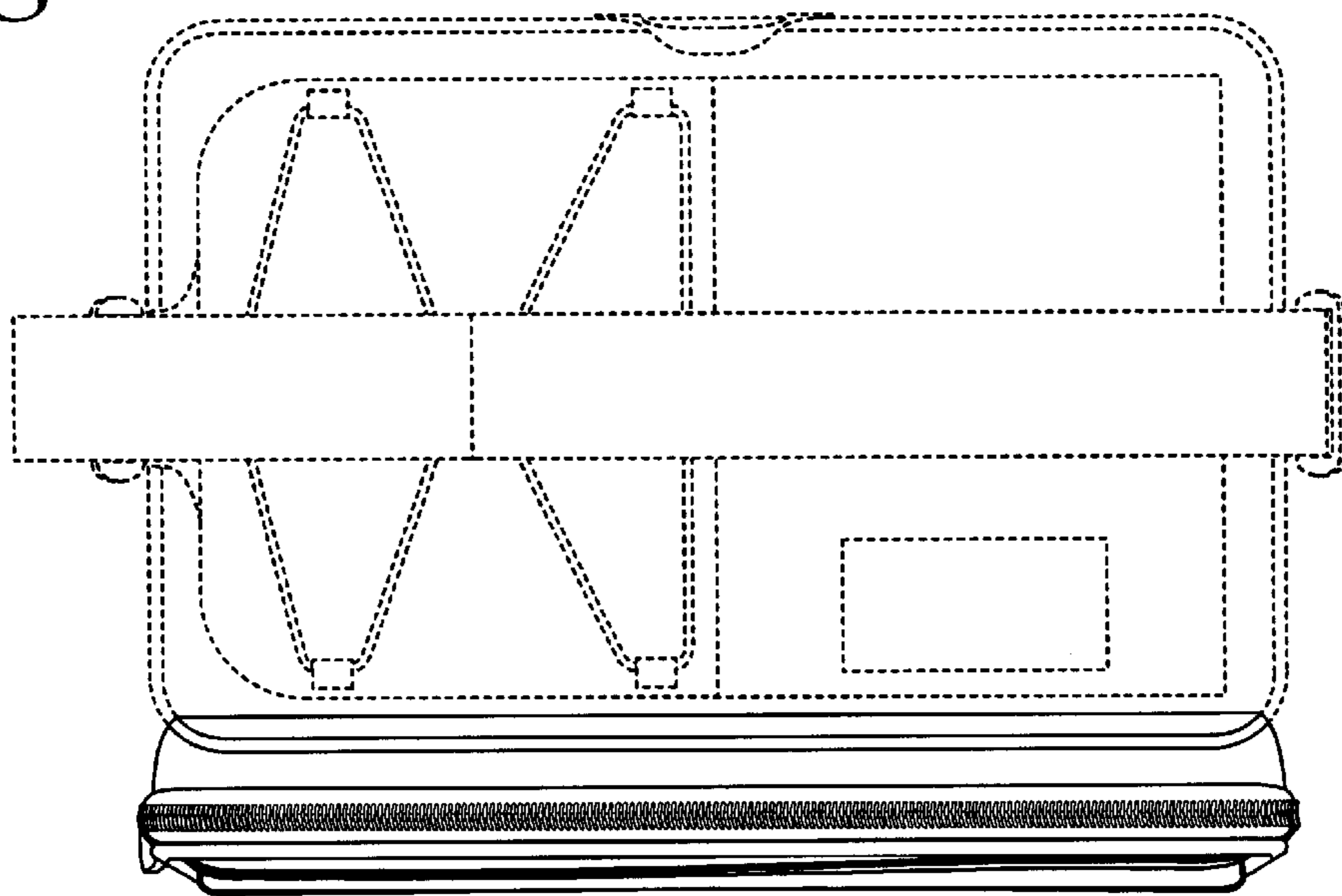


Fig. 14

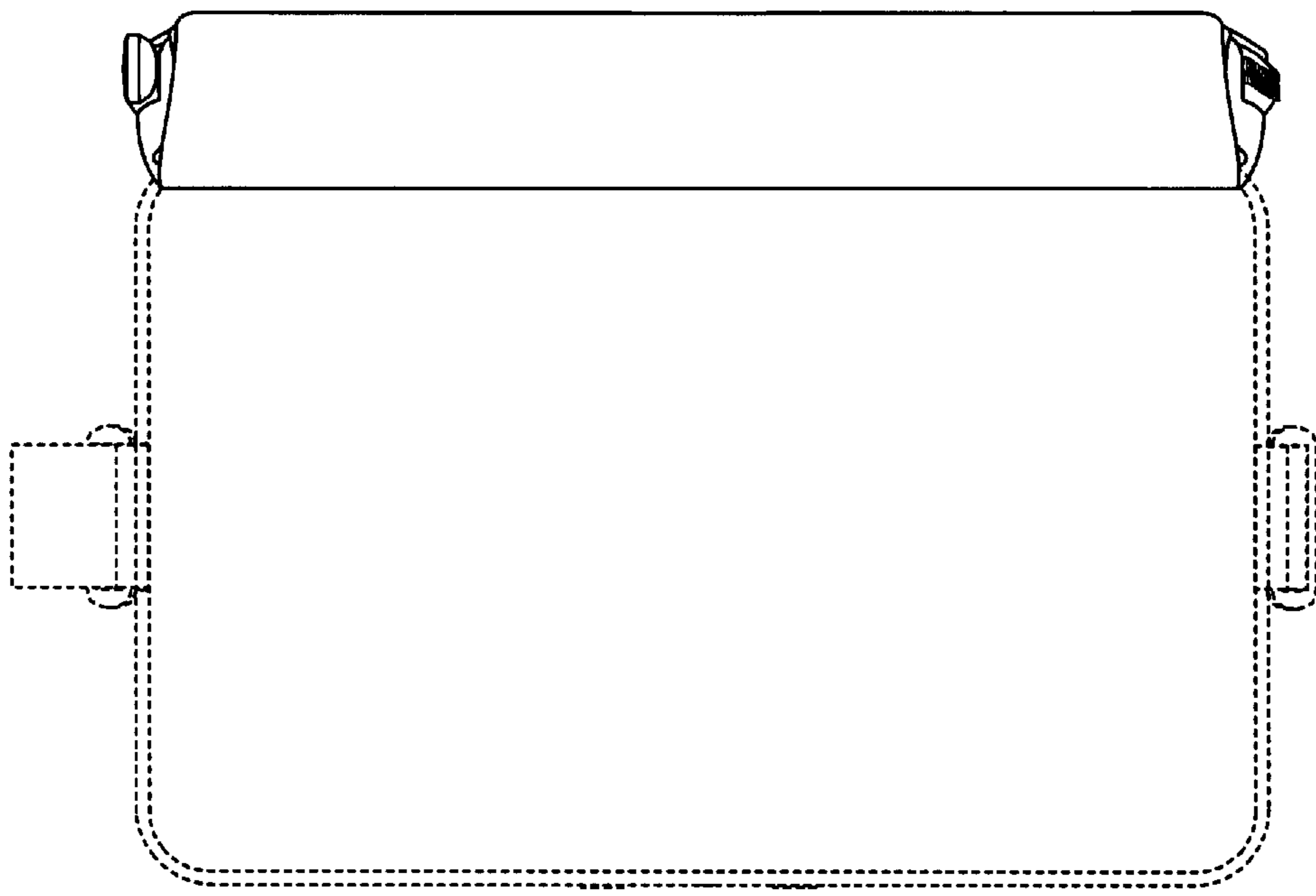


Fig. 15

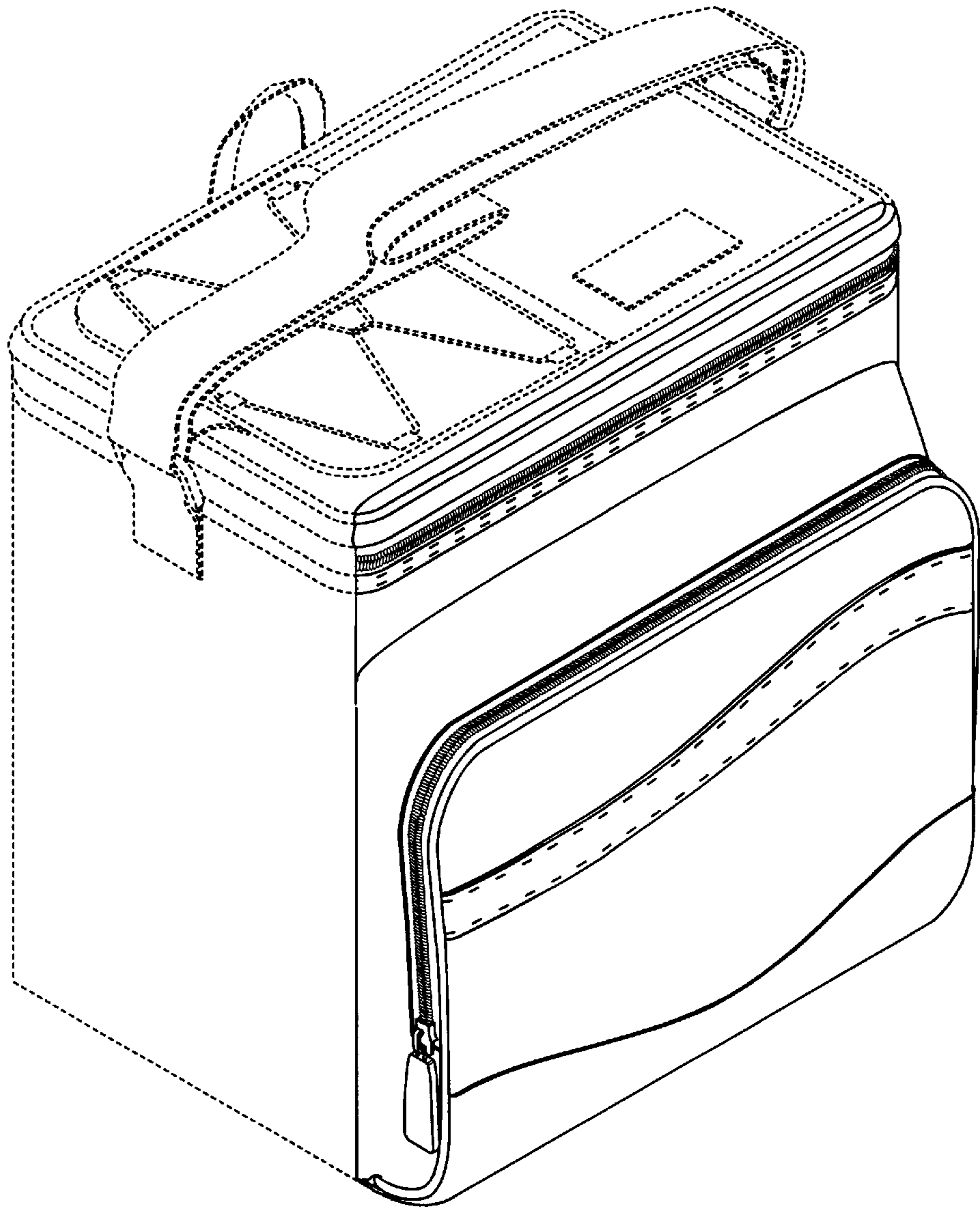


Fig. 16

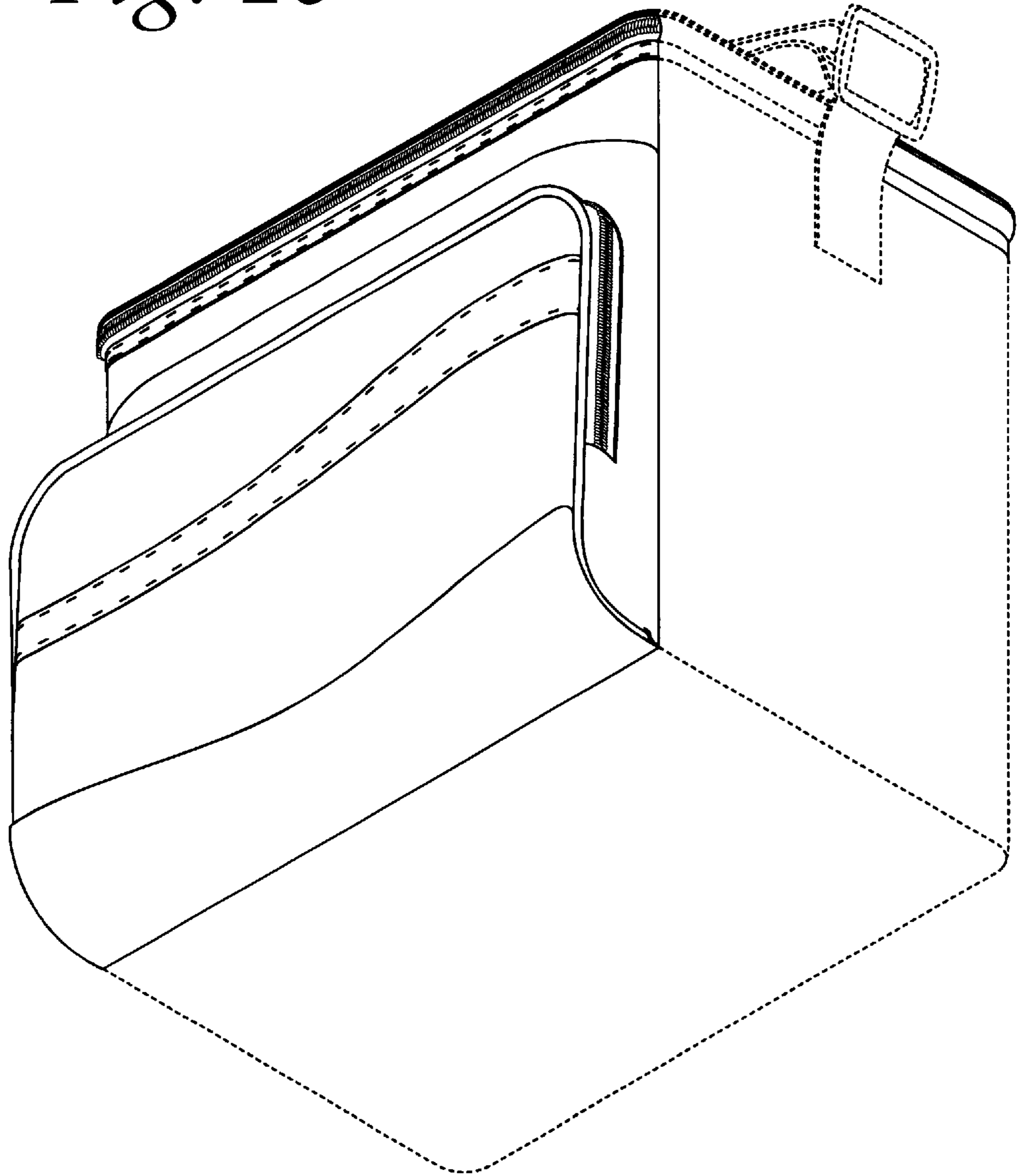


Fig. 17

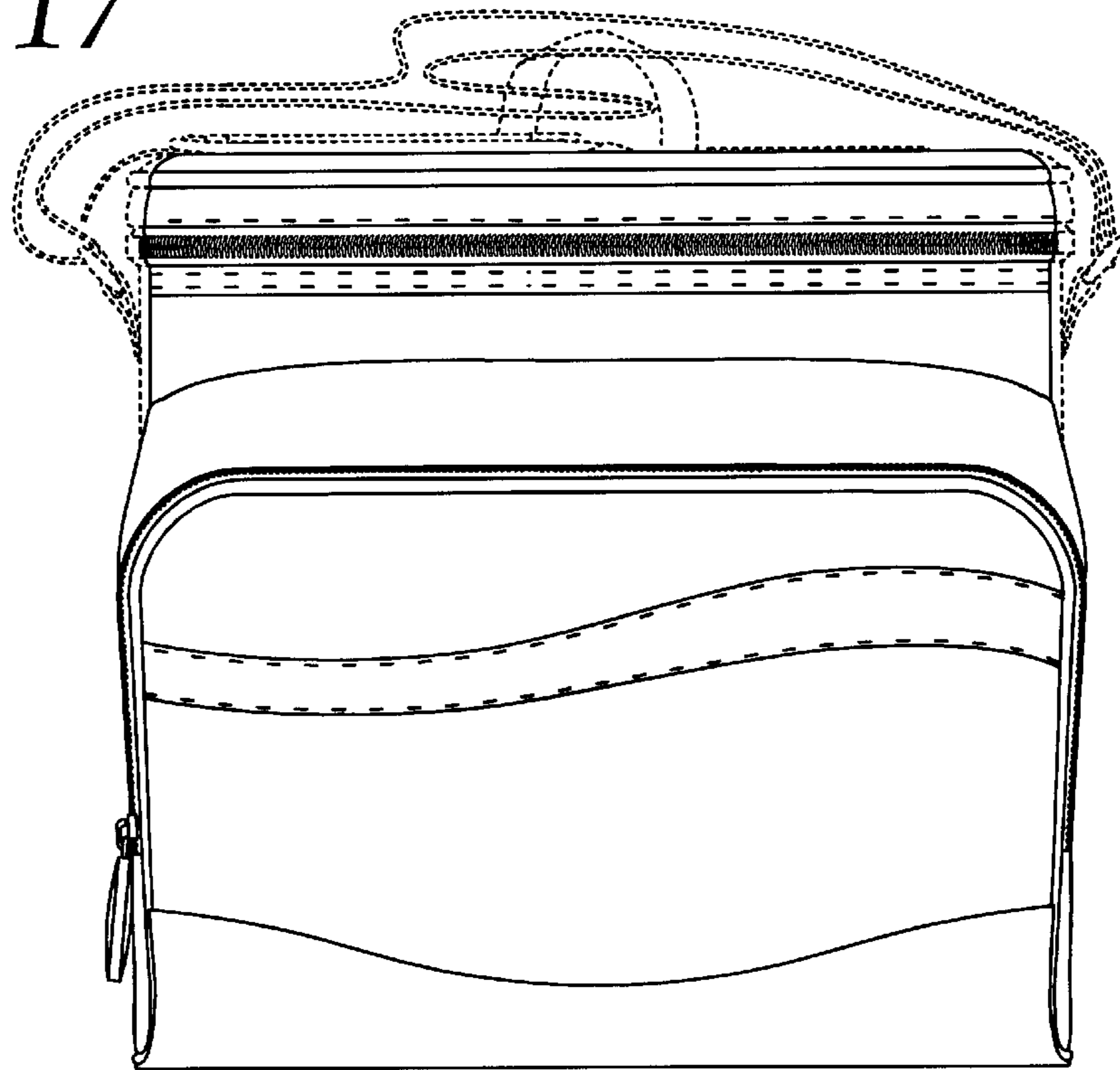


Fig. 18

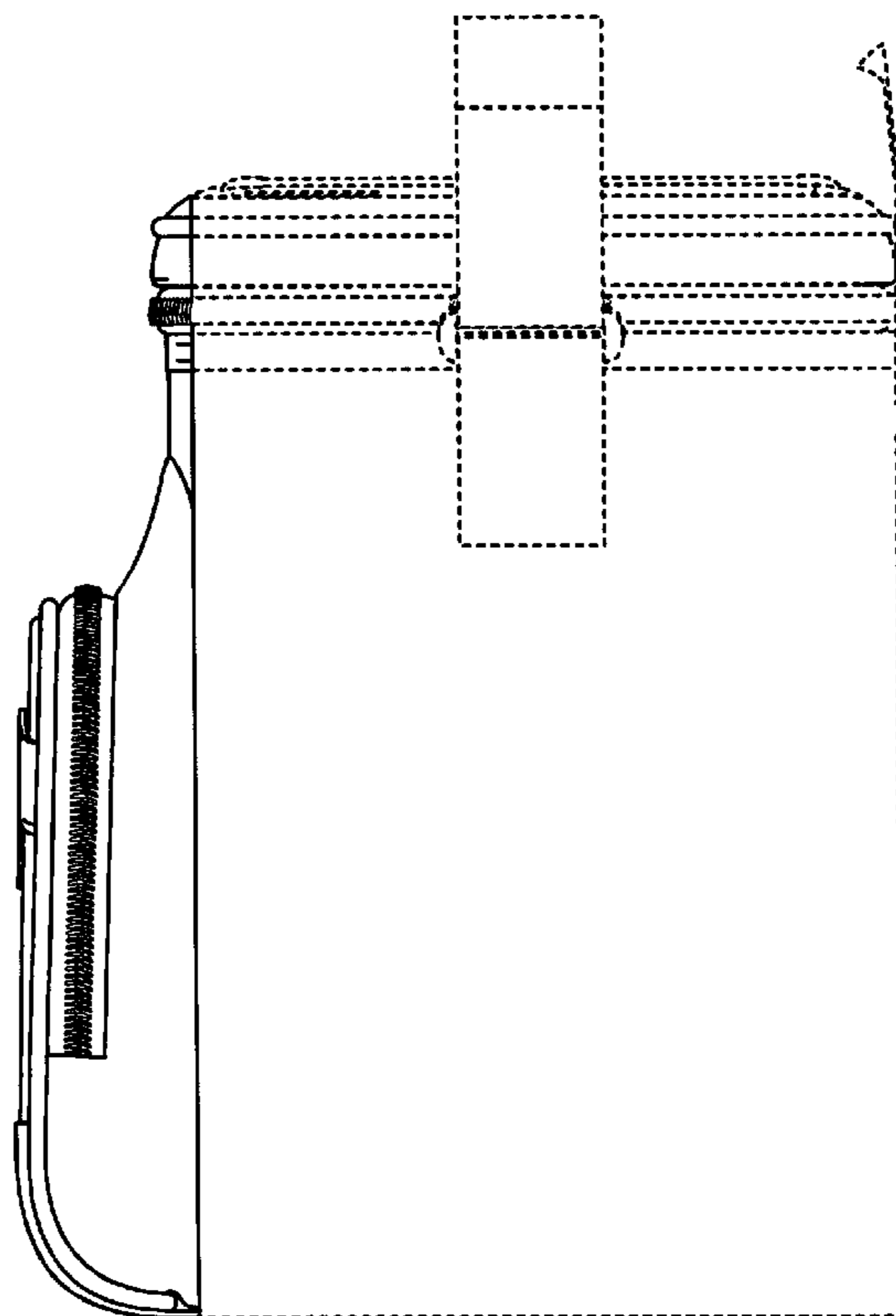


Fig. 19

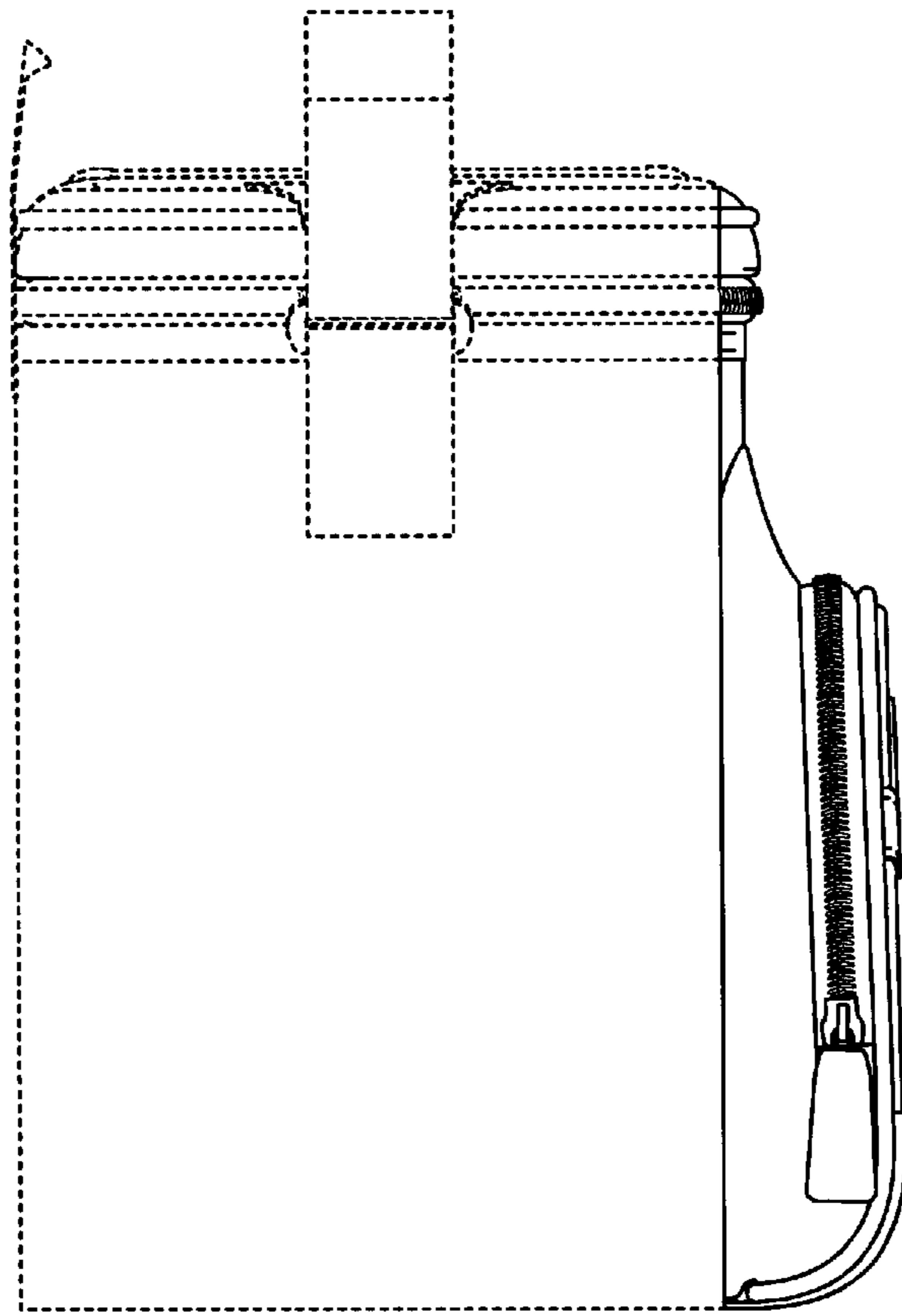


Fig. 20

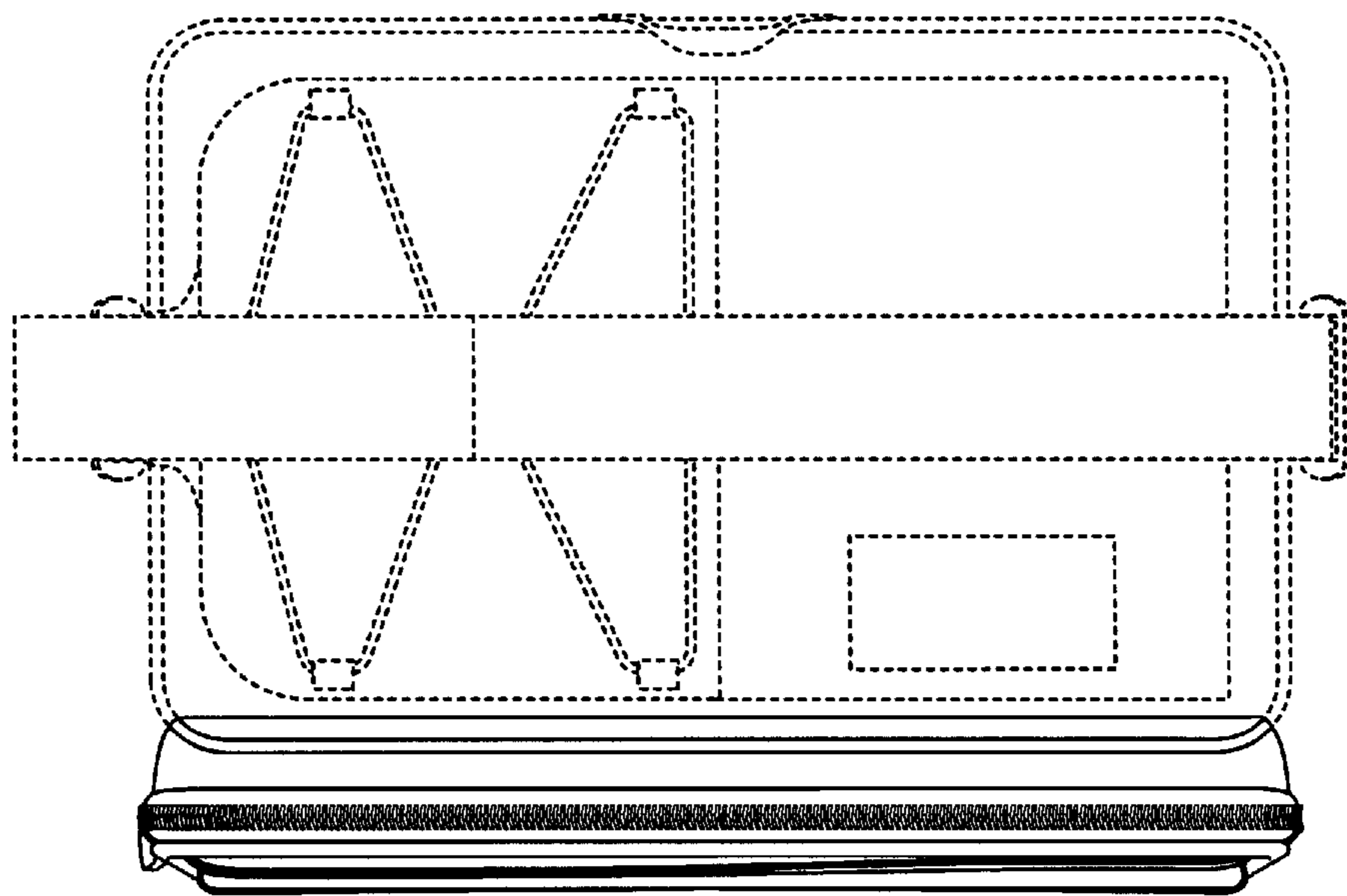


Fig. 21

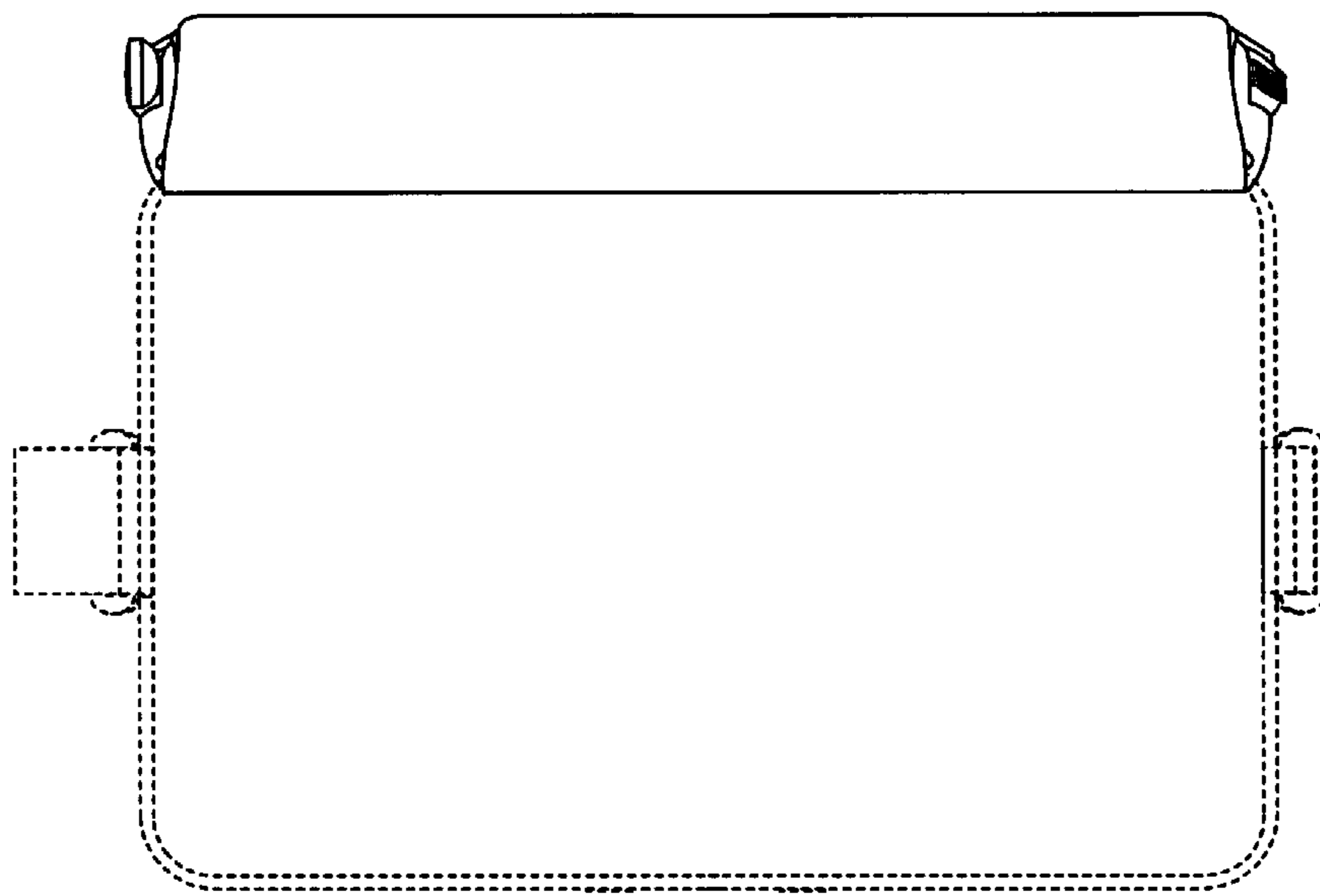


Fig. 22

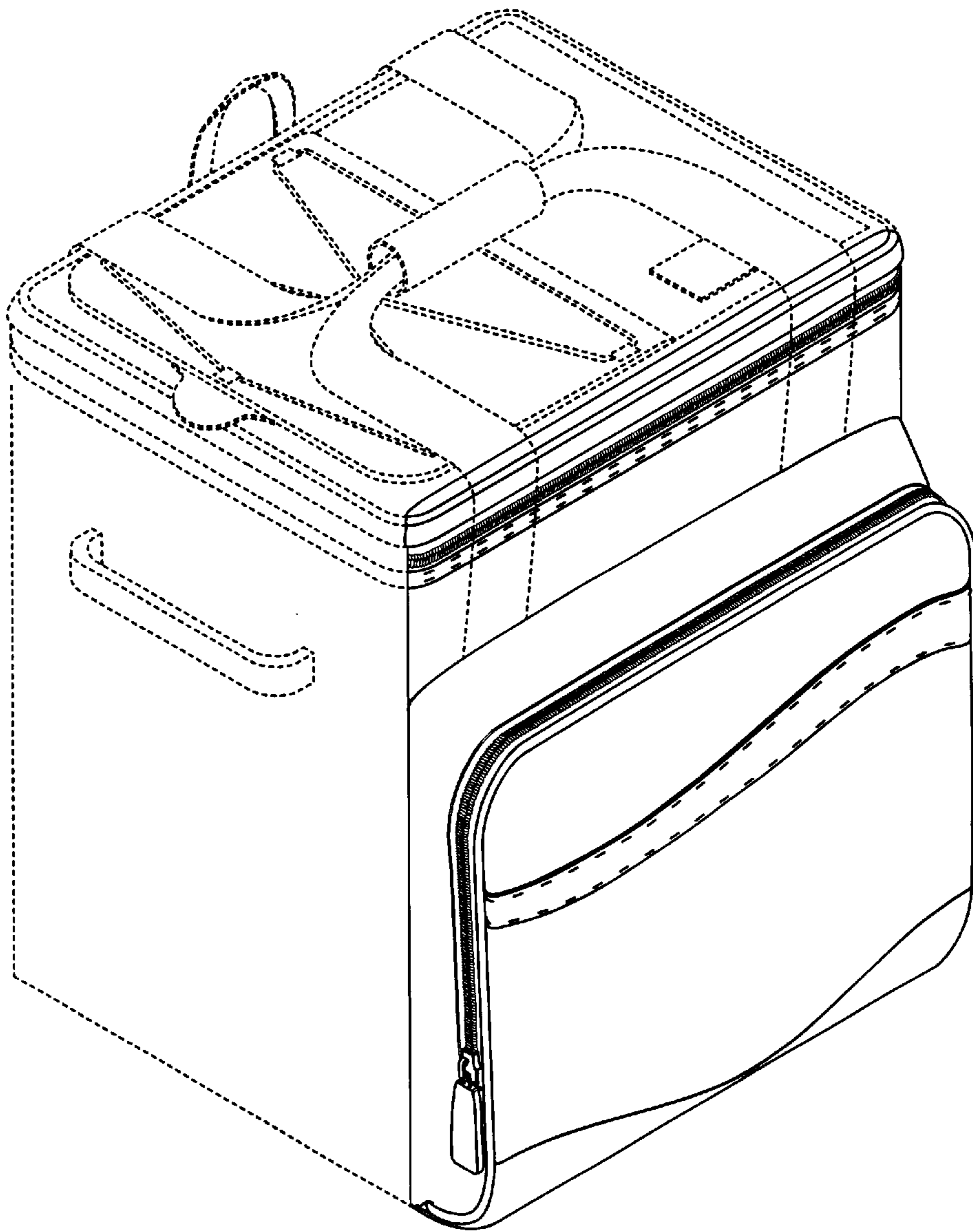


Fig. 23

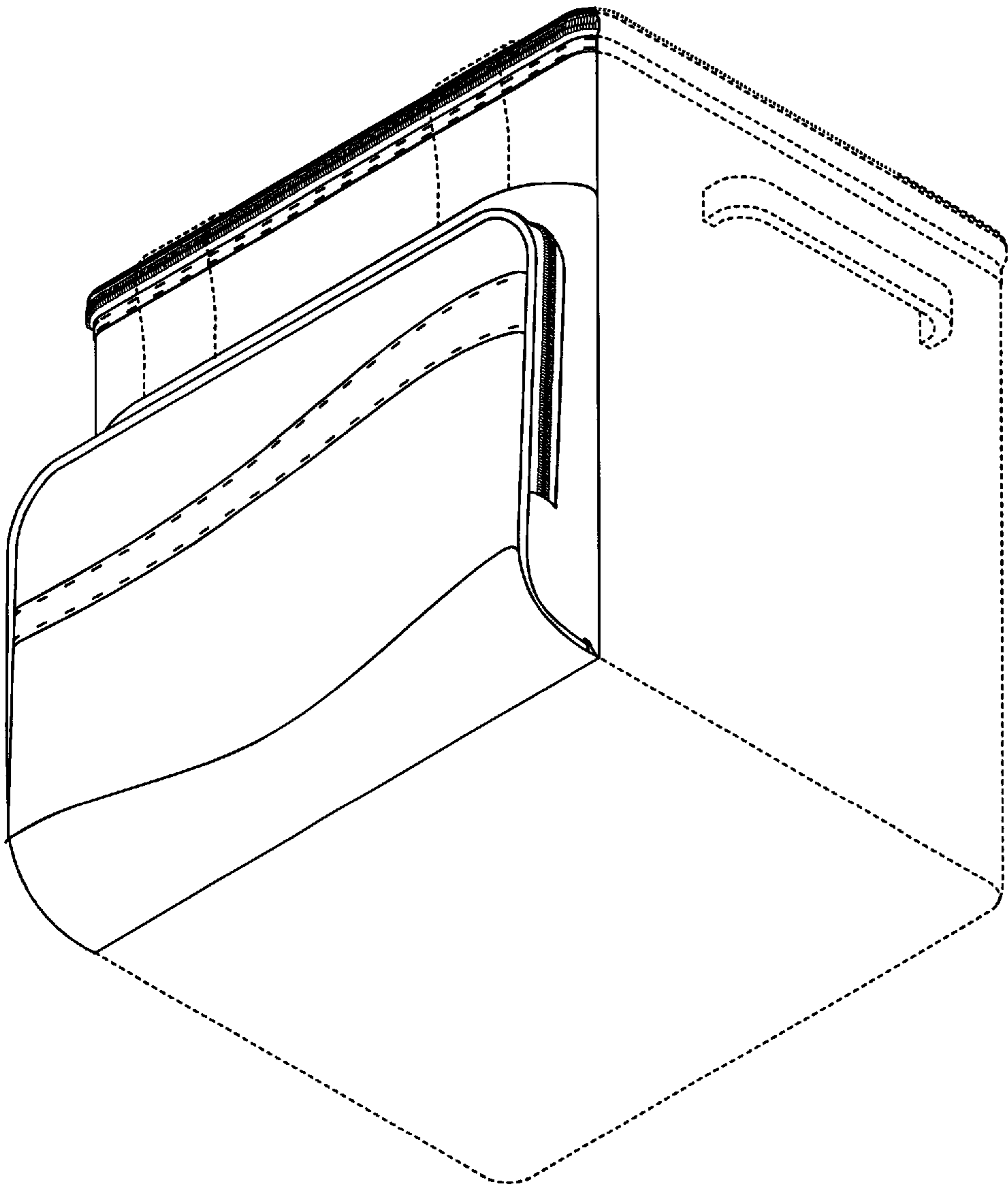


Fig. 24

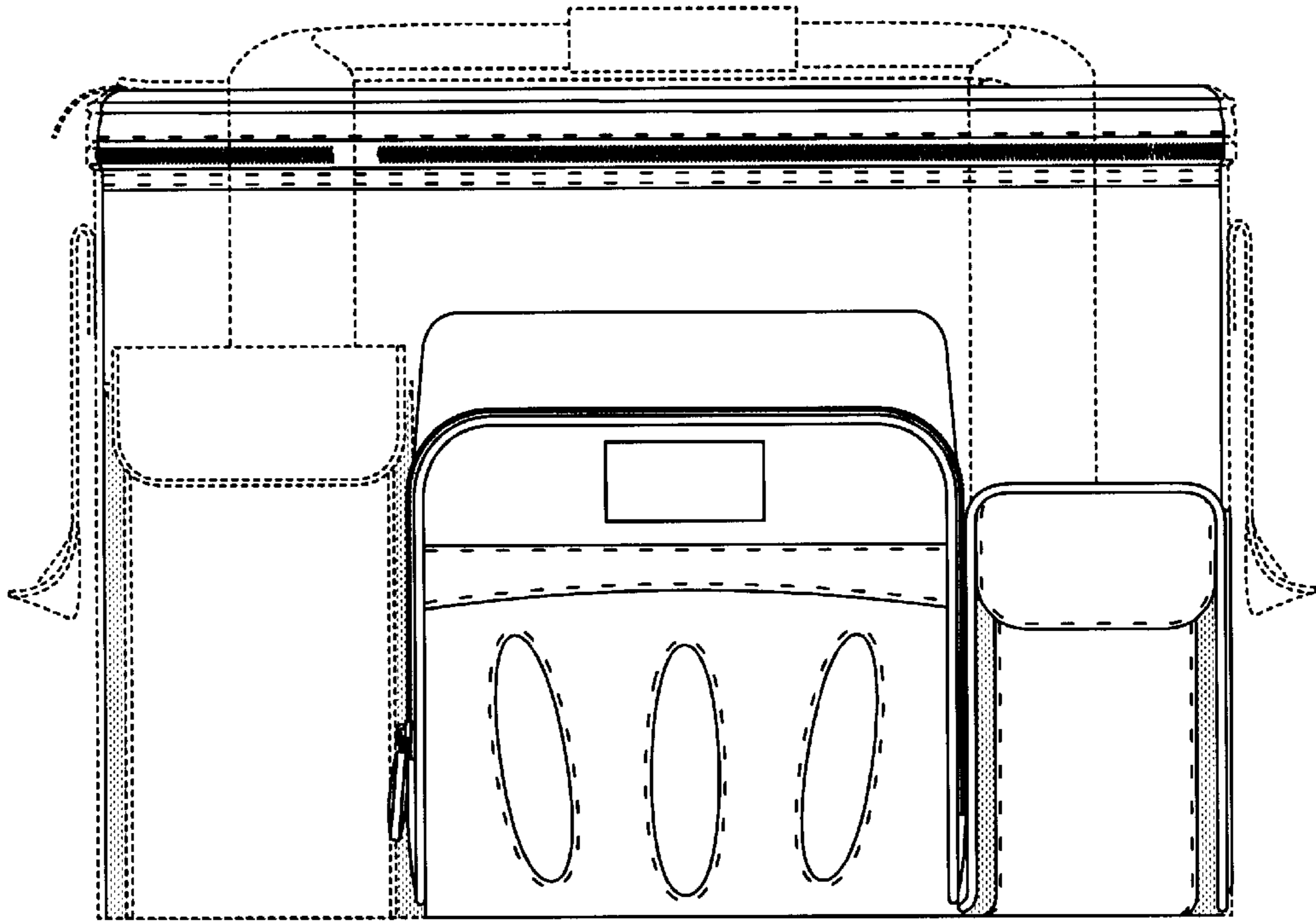


Fig. 25

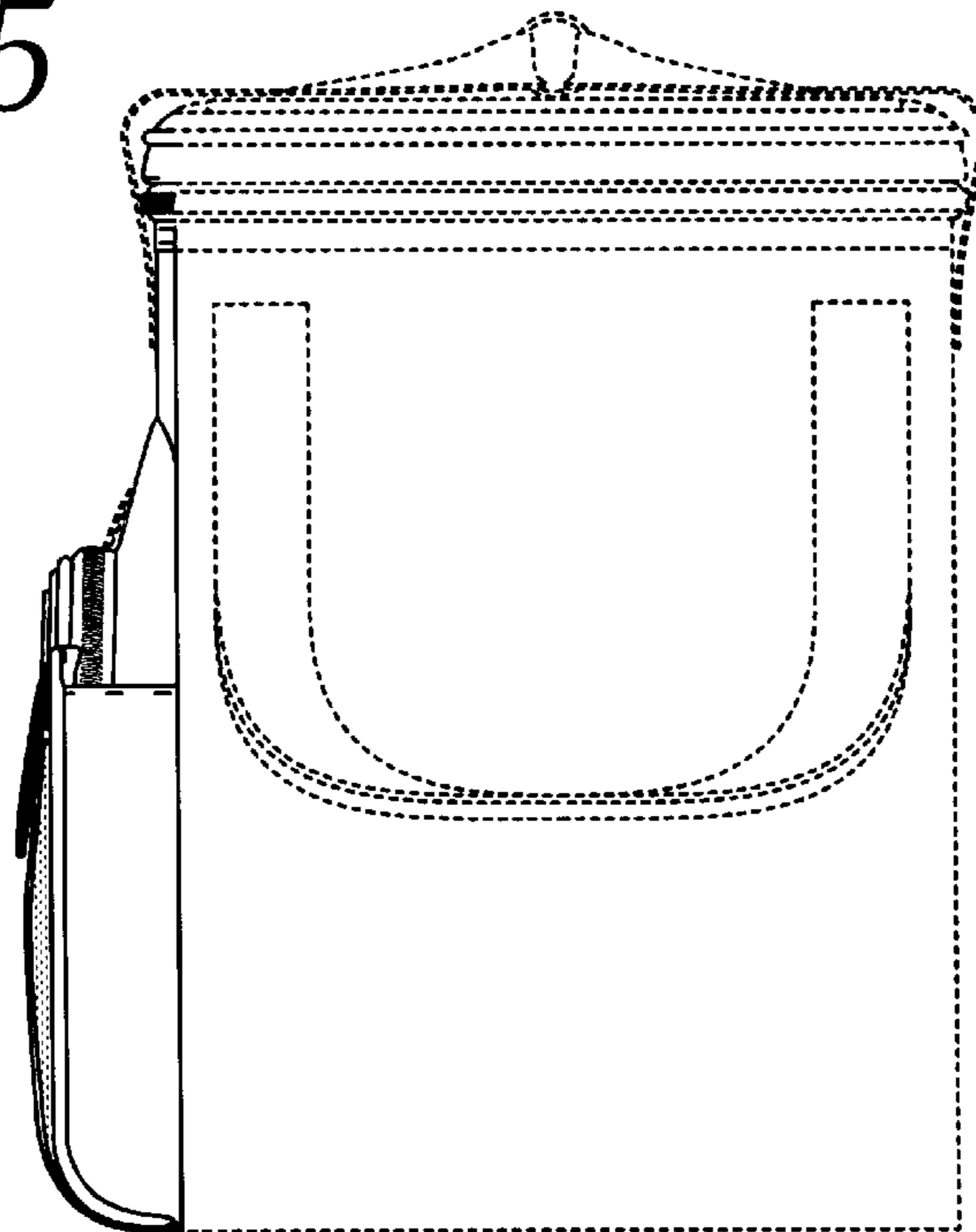


Fig. 26

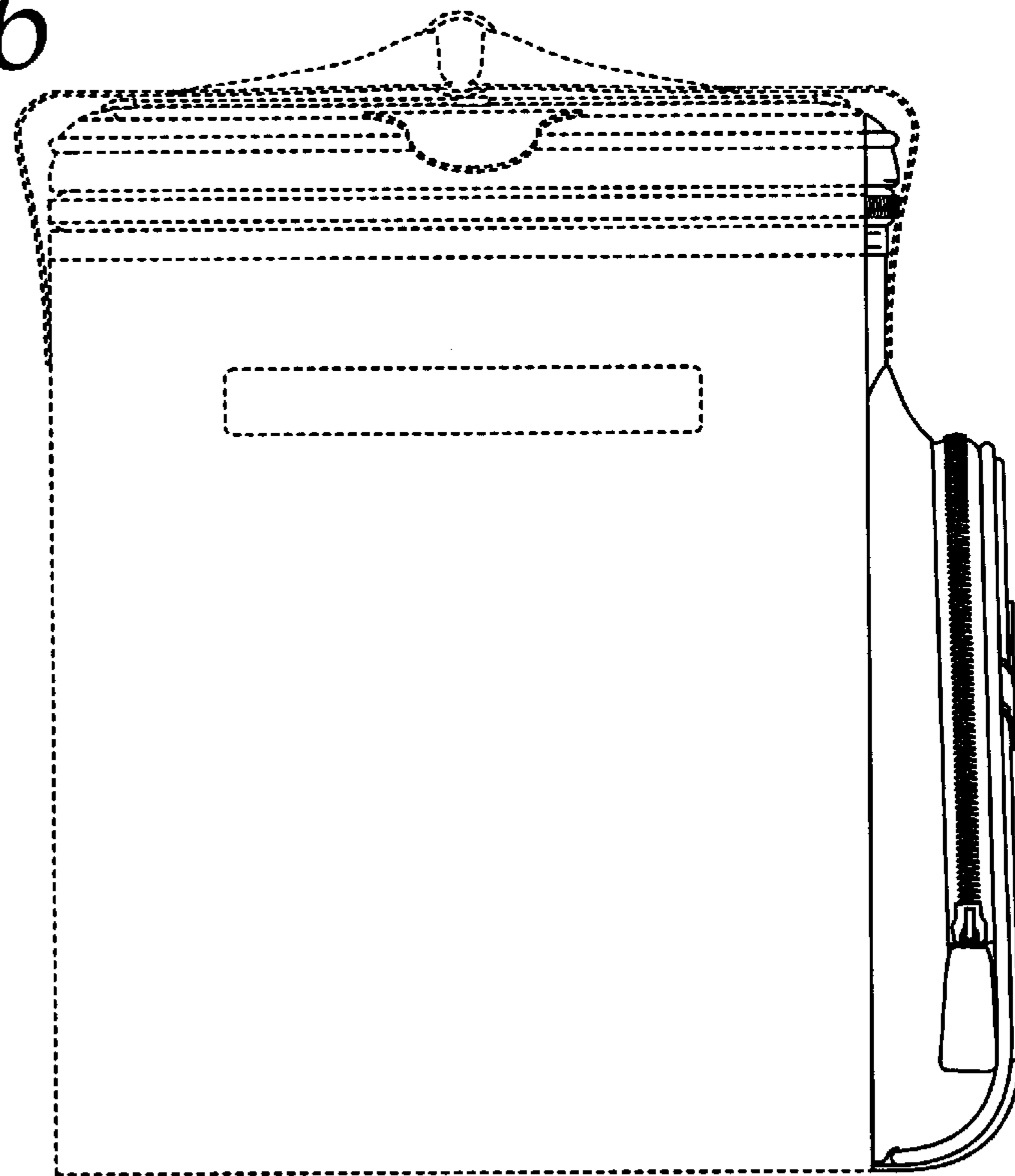


Fig. 27

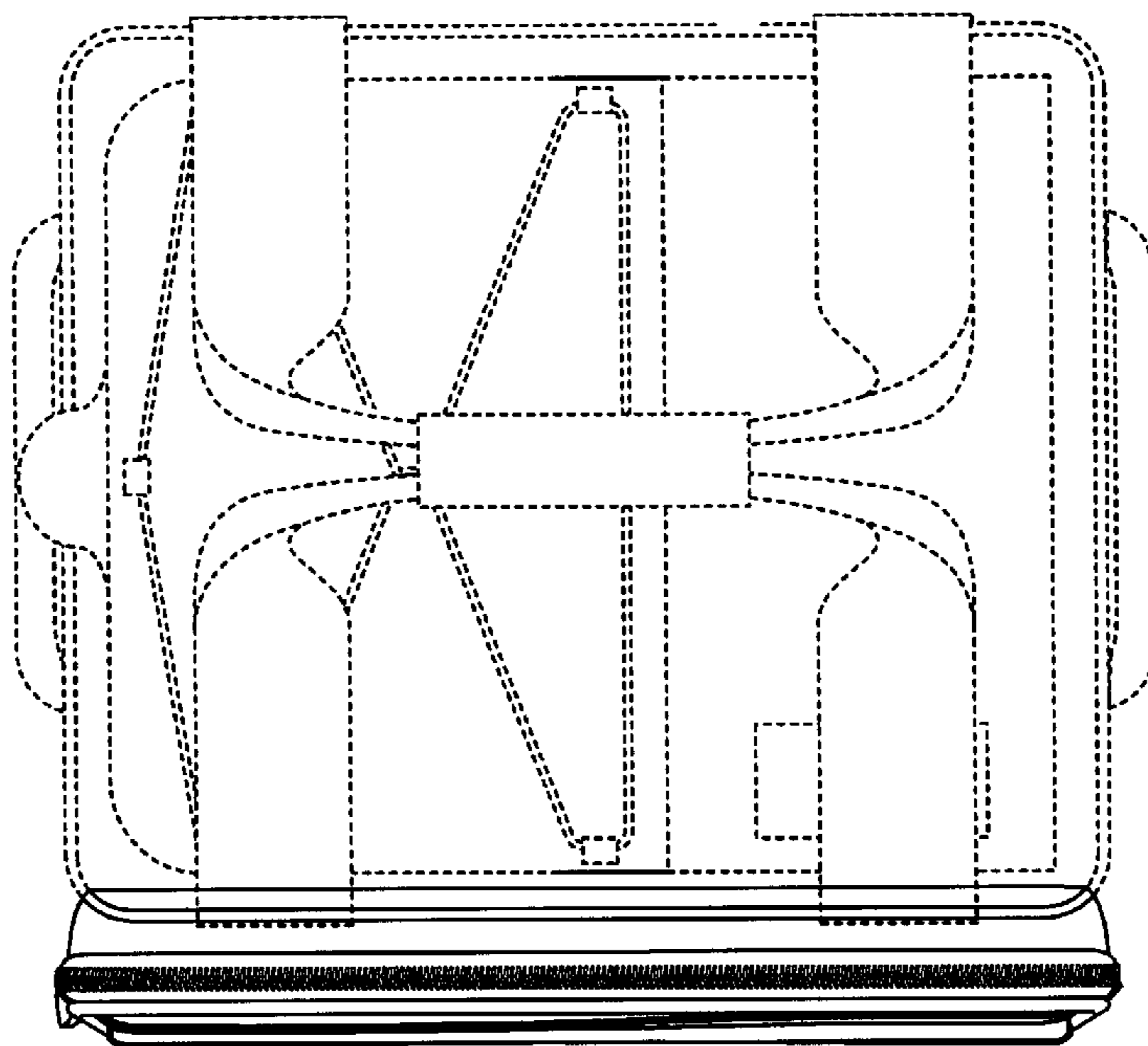


Fig. 28

