



US00D485725S

(12) **United States Design Patent**  
**Real**

(10) **Patent No.:** **US D485,725 S**

(45) **Date of Patent:** **\*\* Jan. 27, 2004**

(54) **MEDIA TRAY**

(76) **Inventor:** **Michael Real**, 9950 Marconi Dr., Suite 106, San Diego, CA (US) 92154

(\*\*) **Term:** **14 Years**

(21) **Appl. No.:** **29/165,367**

(22) **Filed:** **Aug. 7, 2002**

(51) **LOC (7) Cl.** ..... **06-04**

(52) **U.S. Cl.** ..... **D6/629; D6/510**

(58) **Field of Search** ..... D6/407, 627-630, D6/466-468, 510; 206/308.1, 309; 211/40, 42, 43, 41.12; 312/9.1, 9.9, 9.11, 9.16, 9.47, 9.51, 9.53, 9.54, 9.46, 9.64

(56) **References Cited**

**U.S. PATENT DOCUMENTS**

- D331,503 S \* 12/1992 Tavares ..... D6/630
- 5,383,722 A \* 1/1995 Chen ..... 312/9.55
- D358,524 S \* 5/1995 Sedon et al. .... D6/629
- D358,525 S \* 5/1995 Sedon et al. .... D6/629
- 5,597,216 A \* 1/1997 Real et al. .... 312/9.54

- D403,550 S \* 1/1999 Smith ..... D6/629
- D404,956 S \* 2/1999 Cheris et al. .... D6/629
- D404,957 S \* 2/1999 Cheris et al. .... D6/629
- D470,354 S \* 2/2003 Udommahuntisuk ..... D6/629

\* cited by examiner

*Primary Examiner*—Cathron C. Brooks

(74) *Attorney, Agent, or Firm*—Henri J. A. Charmasson; John D. Buchaca

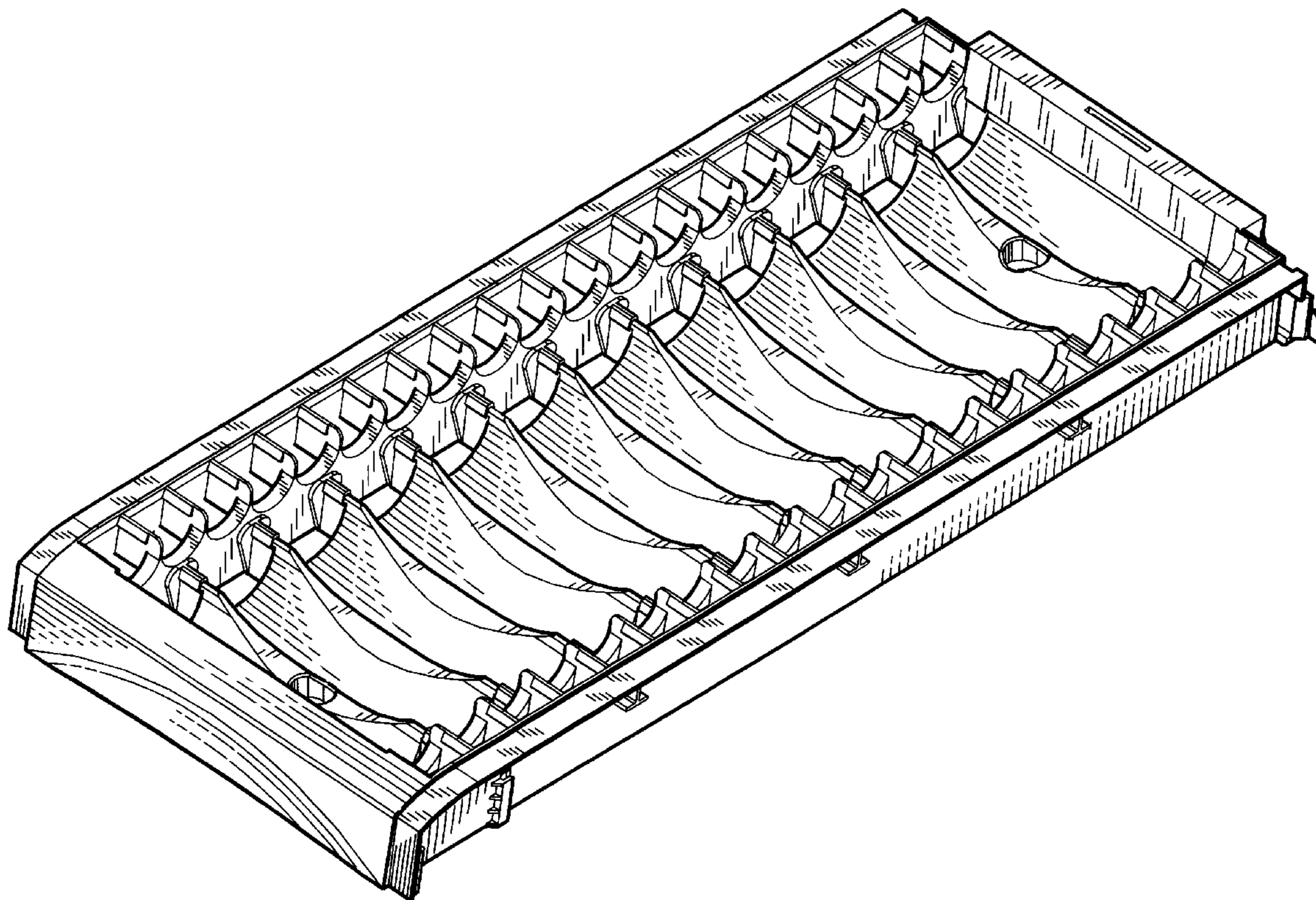
(57) **CLAIM**

The ornamental design for a media tray, as shown and described.

**DESCRIPTION**

FIG. 1 is a top, left side and front isometric view of a media tray showing my new design;  
 FIG. 2 is a top plan view thereof;  
 FIG. 3 is a bottom plan view thereof;  
 FIG. 4 is a right side elevational view thereof;  
 FIG. 5 is a left side elevational view thereof;  
 FIG. 6 is a front elevational view thereof; and,  
 FIG. 7 is a back elevational view thereof.

**1 Claim, 5 Drawing Sheets**



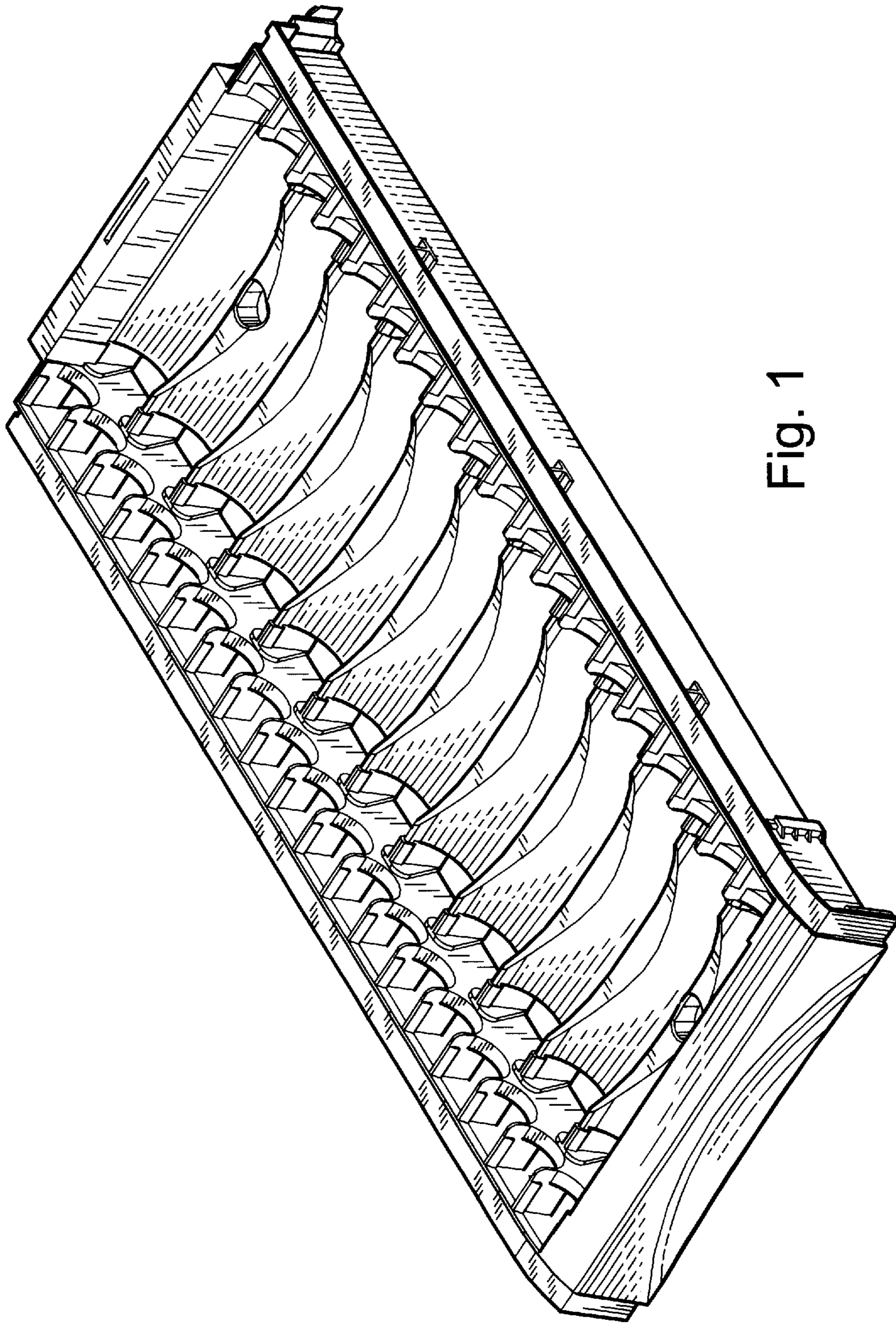


Fig. 1

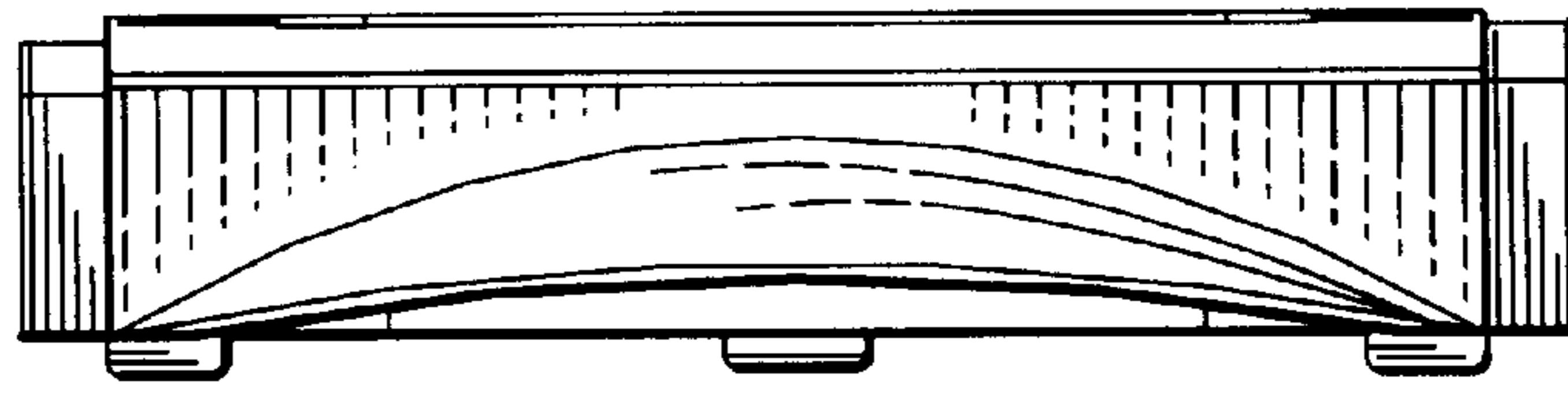


Fig. 2

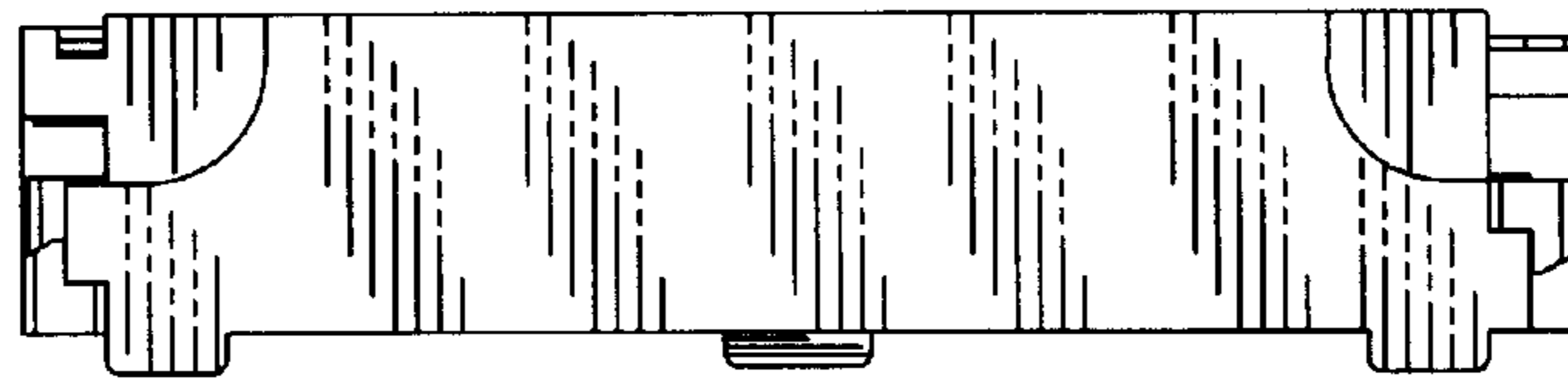


Fig. 3

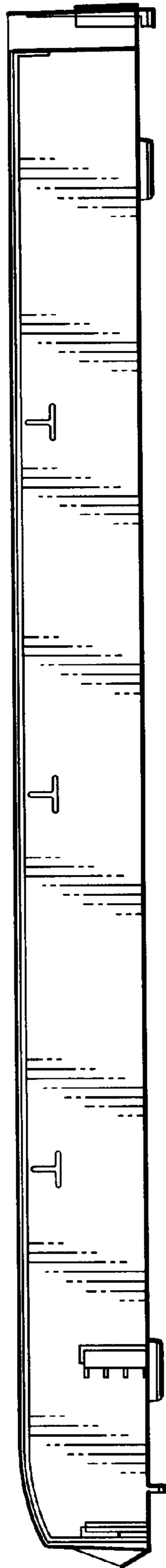


Fig. 4

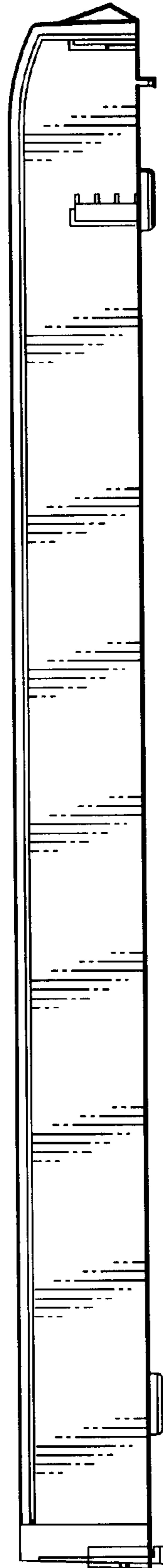


Fig. 5

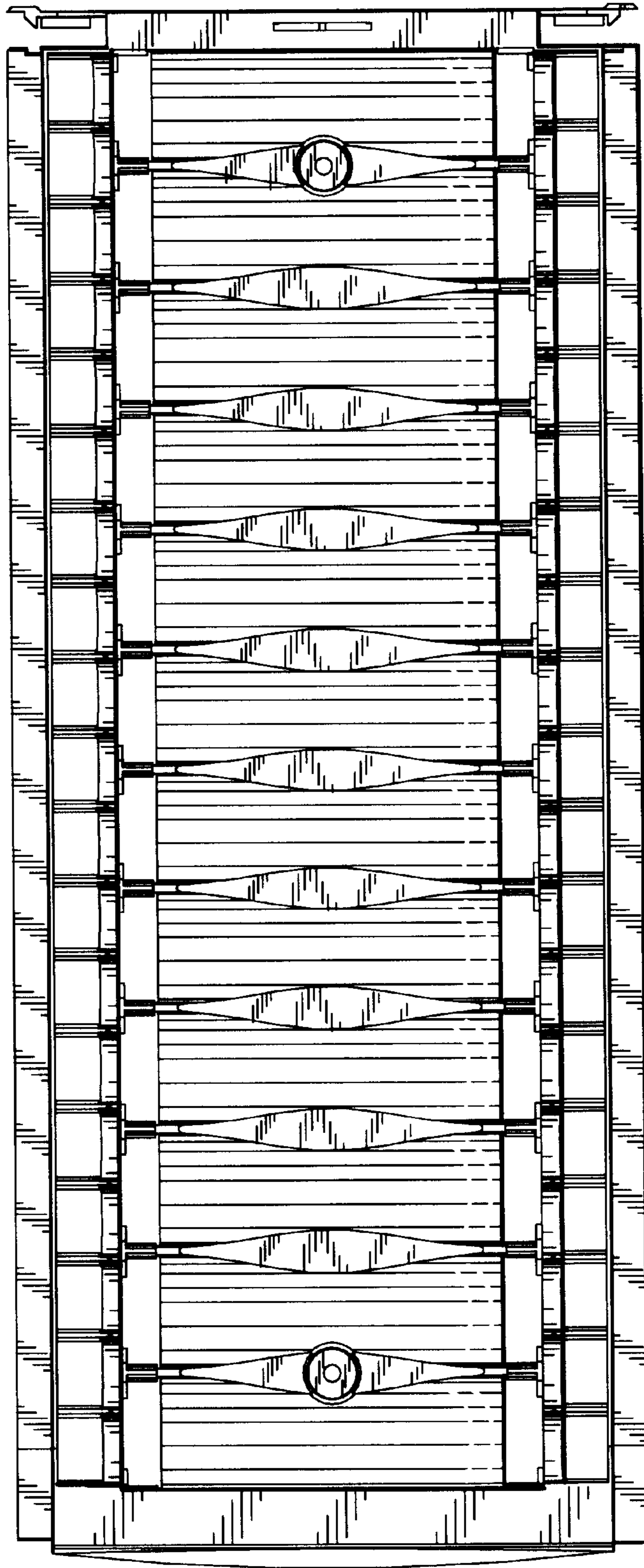


Fig. 6

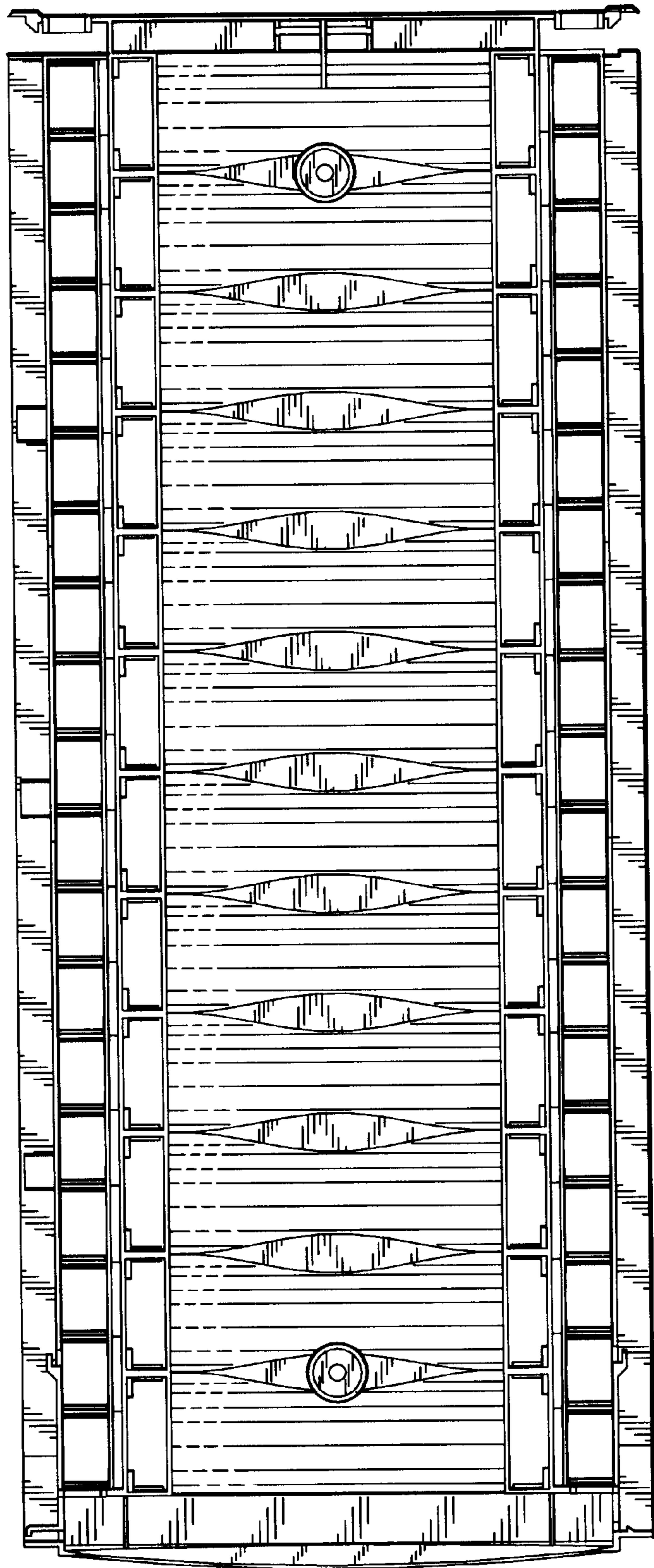


Fig. 7