



US00D485721S

(12) **United States Design Patent**
Walker

(10) **Patent No.:** **US D485,721 S**

(45) **Date of Patent:** **** Jan. 27, 2004**

(54) **WALL CABINET**

(75) **Inventor:** **David Walker**, Chester, PA (US)

(73) **Assignee:** **Zenith Products Corp.**, New Castle, DE (US)

(**) **Term:** **14 Years**

(21) **Appl. No.:** **29/183,724**

(22) **Filed:** **Jun. 17, 2003**

(51) **LOC (7) Cl.** **06-04**

(52) **U.S. Cl.** **D6/559**

(58) **Field of Search** D6/553, 559-61,
D6/568, 329, 396, 432, 436-39, 444-46,
448; 312/209, 224-25, 234, 242, 245; 206/320,
823

(56) **References Cited**

U.S. PATENT DOCUMENTS

D276,392 S	*	11/1984	Palka	D6/561
D373,038 S	*	8/1996	Chen	D6/561
D379,281 S	*	5/1997	Palka	D6/559

D395,778 S	*	7/1998	Chen	D6/559
D412,629 S	*	8/1999	Zaidman	D6/445
5,951,127 A	*	9/1999	Smith	312/245 X
D436,481 S	*	1/2001	Harwanko	D6/559
D436,485 S	*	1/2001	Harwanko	D6/561

* cited by examiner

Primary Examiner—Brian N. Vinson

(74) *Attorney, Agent, or Firm*—Edgar A. Zarins; Lloyd D. Doigan

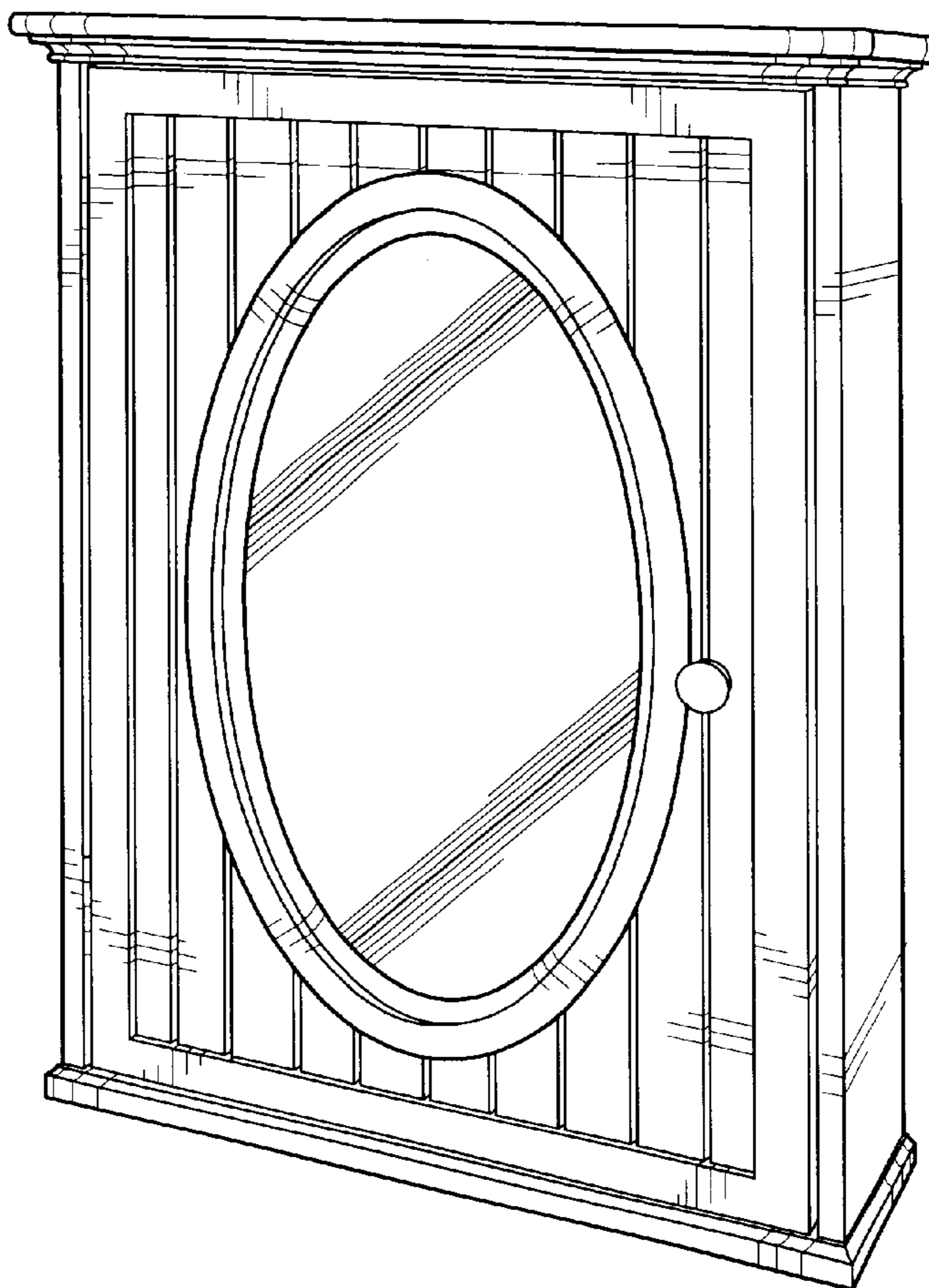
(57) **CLAIM**

The ornamental design for a wall cabinet, as shown and described.

DESCRIPTION

FIG. 1 is a perspective view of a wall cabinet showing my new design;
FIG. 2 is a front elevational view thereof;
FIG. 3 is a left side view thereof, the opposite side being a mirror image of the side shown;
FIG. 4 is a top plan view thereof; and,
FIG. 5 is a bottom plan view thereof.

1 Claim, 2 Drawing Sheets



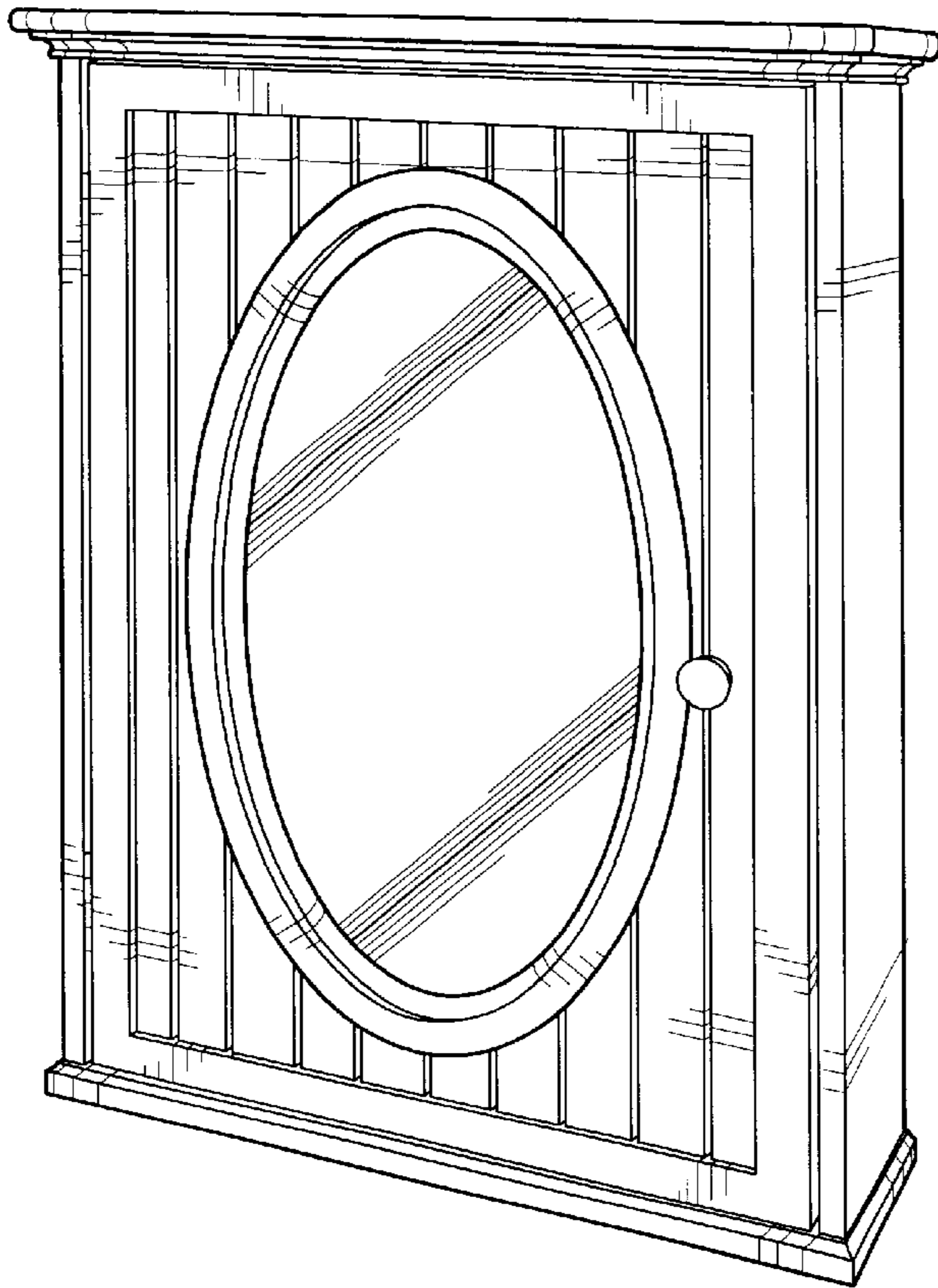


Fig-1

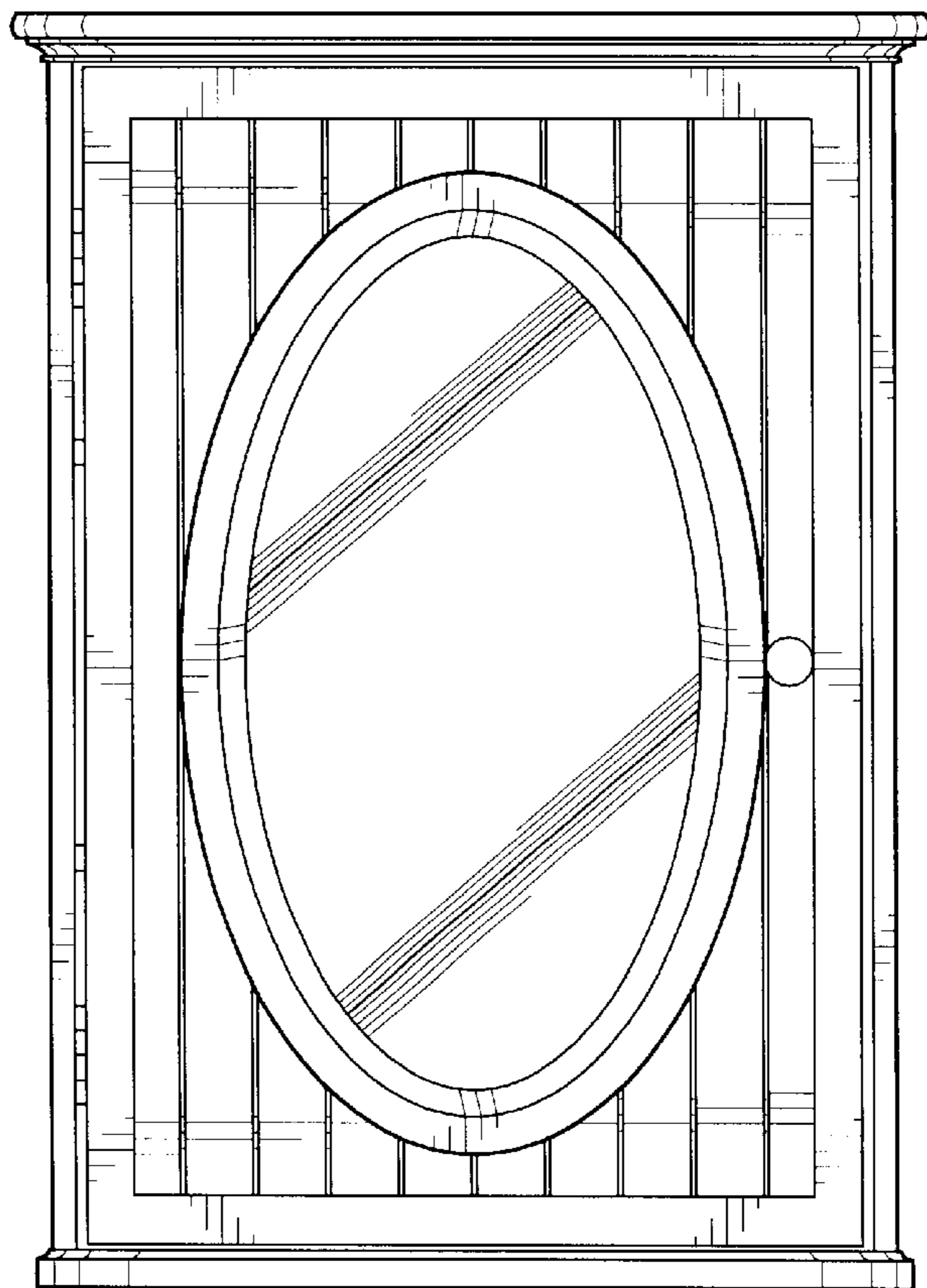


Fig-2

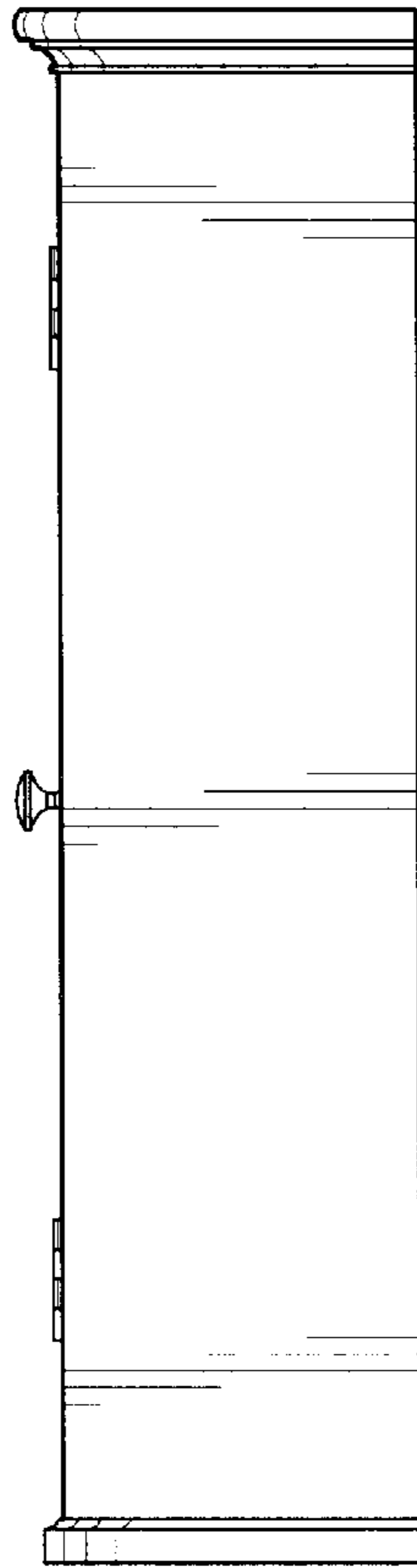


Fig-3

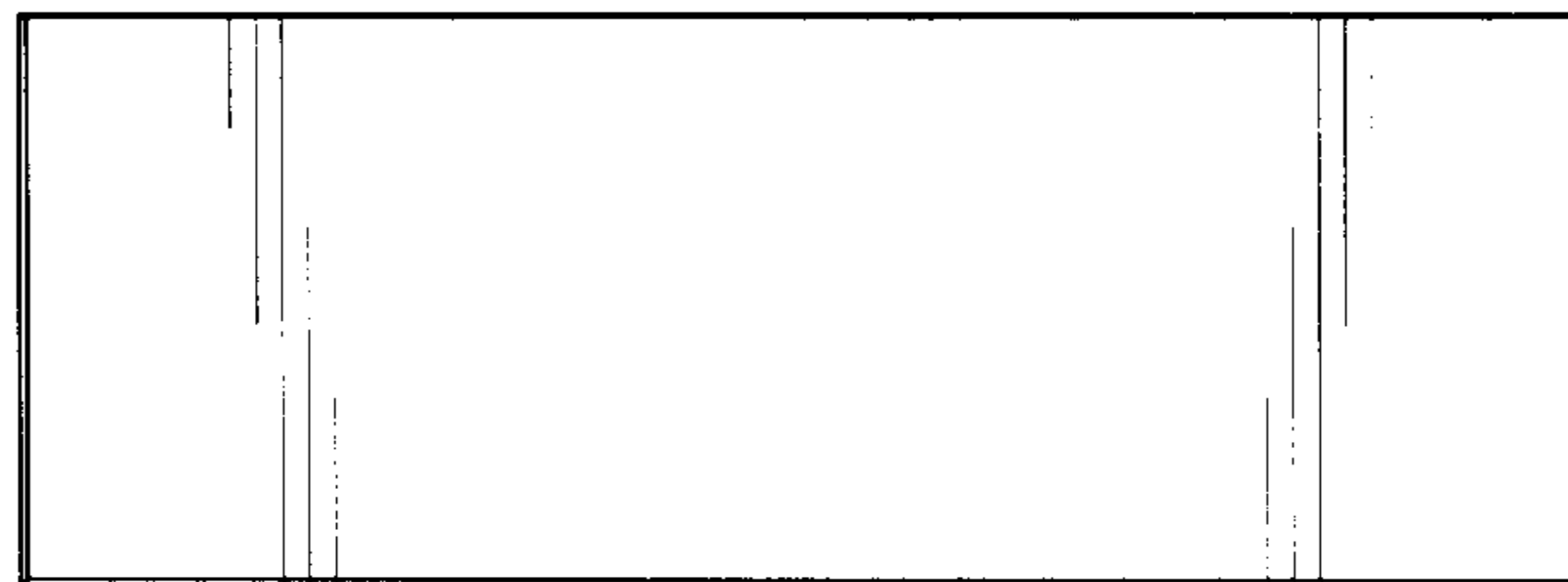


Fig-4

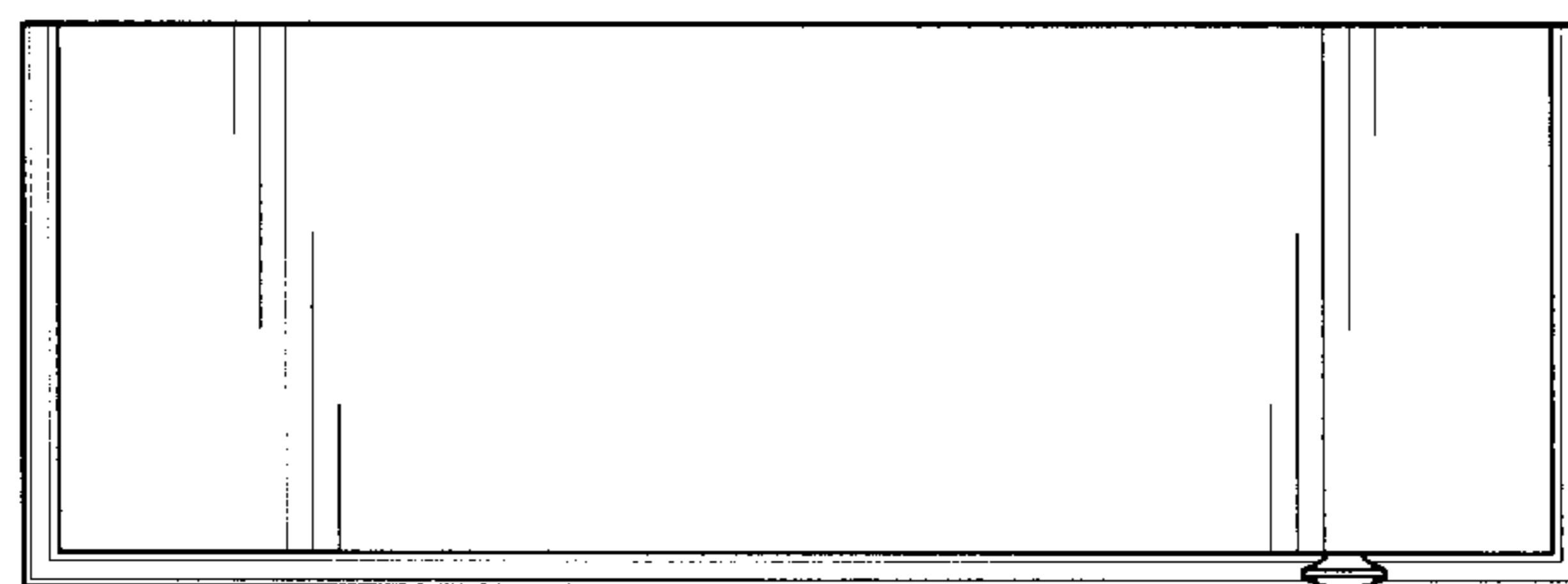


Fig-5