



US00D485720S

(12) **United States Design Patent**  
**Messinger**

(10) **Patent No.:** **US D485,720 S**

(45) **Date of Patent:** **\*\* Jan. 27, 2004**

(54) **TOOTHBRUSH HOLDER**

6,268,070 B1 \* 7/2001 Bergstresser et al. .... 428/622

(76) Inventor: **Samuel Messinger**, 4812 Pine Tree Dr.,  
#17, Miami Beach, FL (US) 33140

\* cited by examiner

(\*\*) Term: **14 Years**

*Primary Examiner*—Brian N. Vinson  
(74) *Attorney, Agent, or Firm*—Pendorf & Cutliff

(21) Appl. No.: **29/167,422**

(57) **CLAIM**

(22) Filed: **Sep. 13, 2002**

The ornamental design for a toothbrush holder, as shown and described.

(51) **LOC (7) Cl.** ..... **23-02**

**DESCRIPTION**

(52) **U.S. Cl.** ..... **D6/528**

(58) **Field of Search** ..... D6/524, 528, 534;  
211/13.1, 60.1, 65, 66, 70.6, 70.7; 206/362.1,  
362.3, 362; 428/622, 624, 675, 676

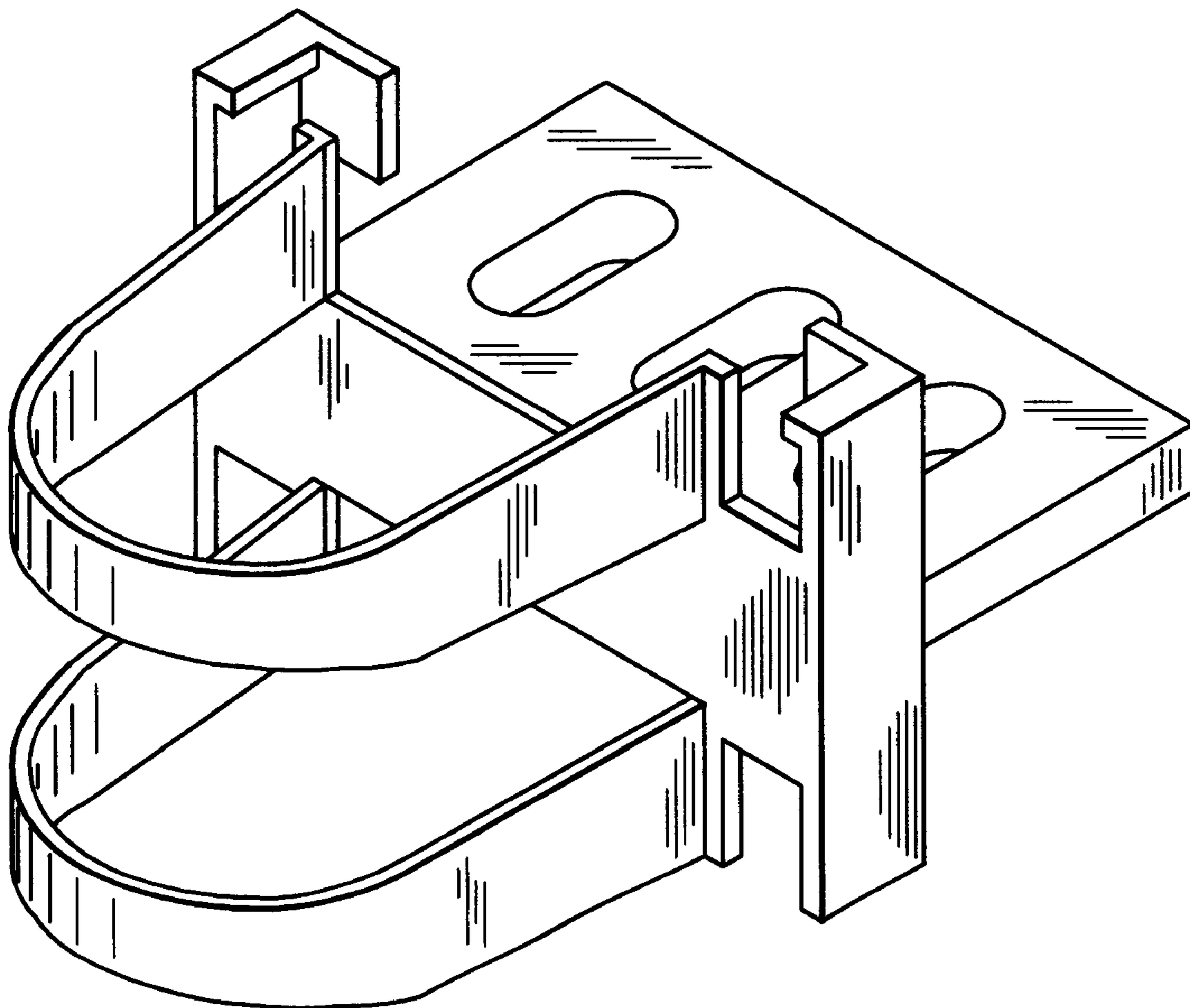
FIG. 1 is perspective view of a toothbrush holder design;  
FIG. 2 is a top view of the design shown in FIG. 1;  
FIG. 3 is a bottom view of the design shown in FIG. 1;  
FIG. 4 is a left side view of the design shown in FIG. 1;  
FIG. 5 is a right side view of the design shown in FIG. 1;  
FIG. 6 is a front view of the design shown in FIG. 1; and,  
FIG. 7 is a back view of the design shown in FIG. 1.

(56) **References Cited**

**U.S. PATENT DOCUMENTS**

- D366,171 S \* 1/1996 Green ..... D6/534
- D433,263 S \* 11/2000 Viner ..... D6/534
- D439,781 S \* 4/2001 Spore ..... D6/534

**1 Claim, 2 Drawing Sheets**



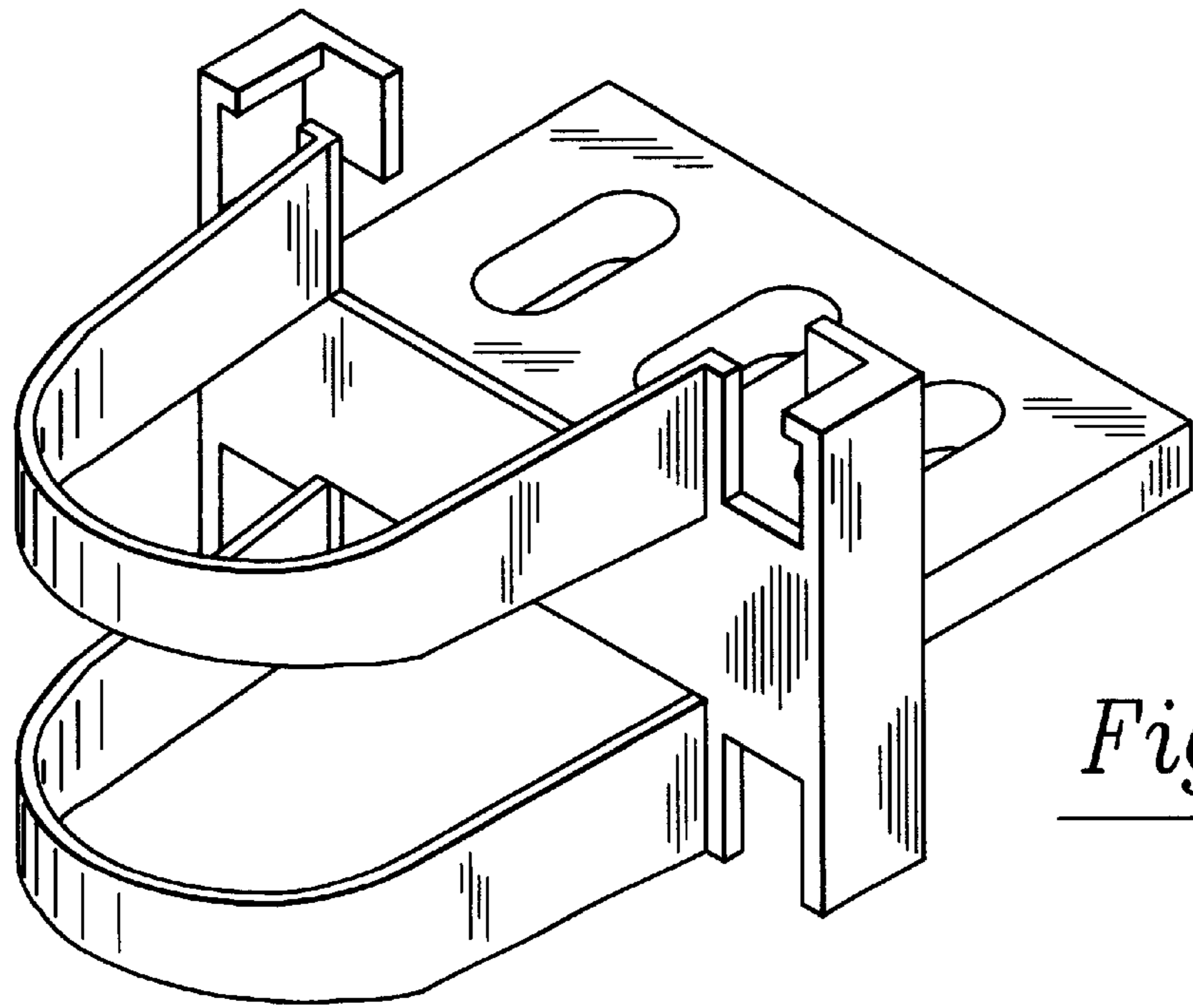


Fig. 1

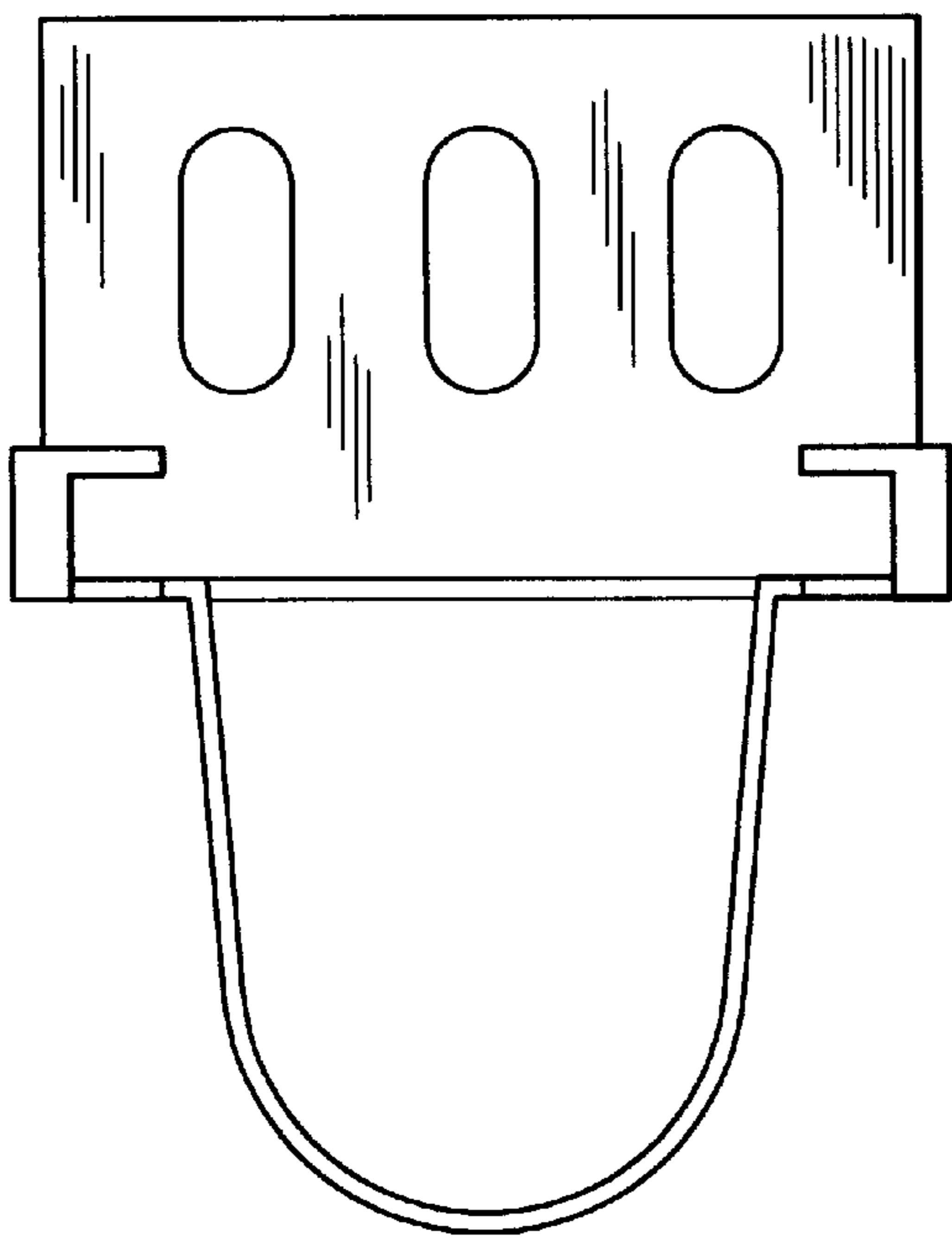


Fig. 2

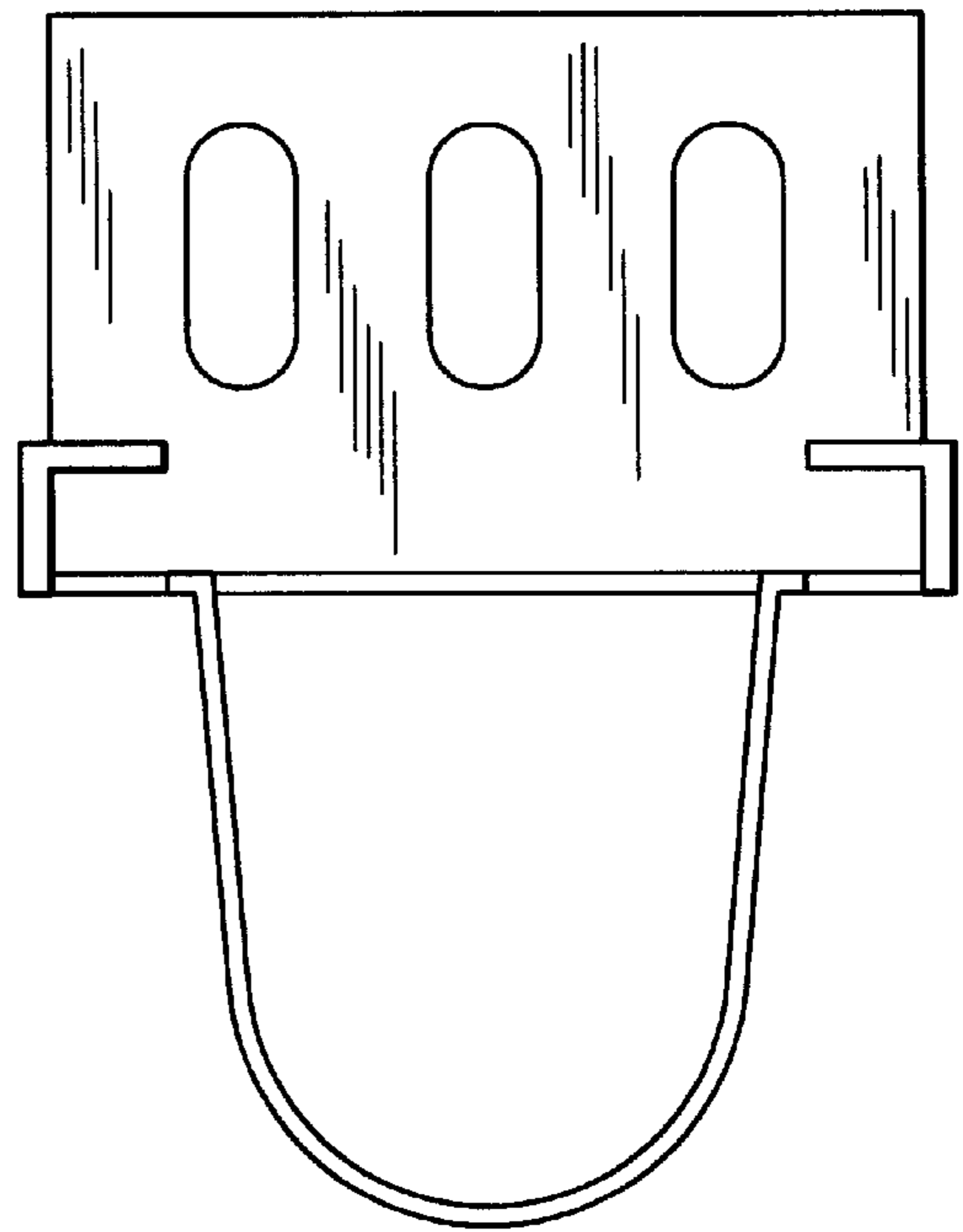


Fig. 3

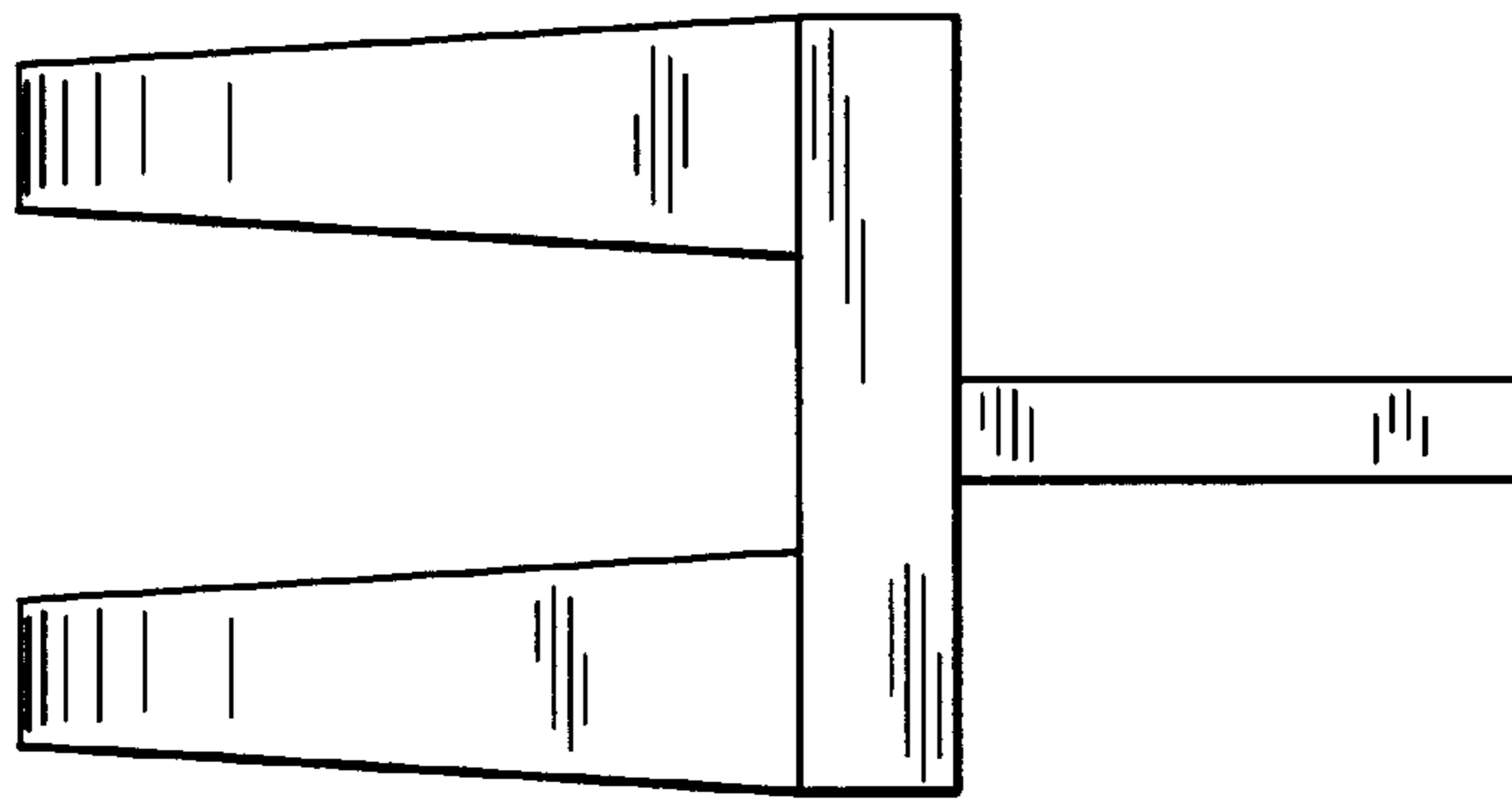


Fig. 4

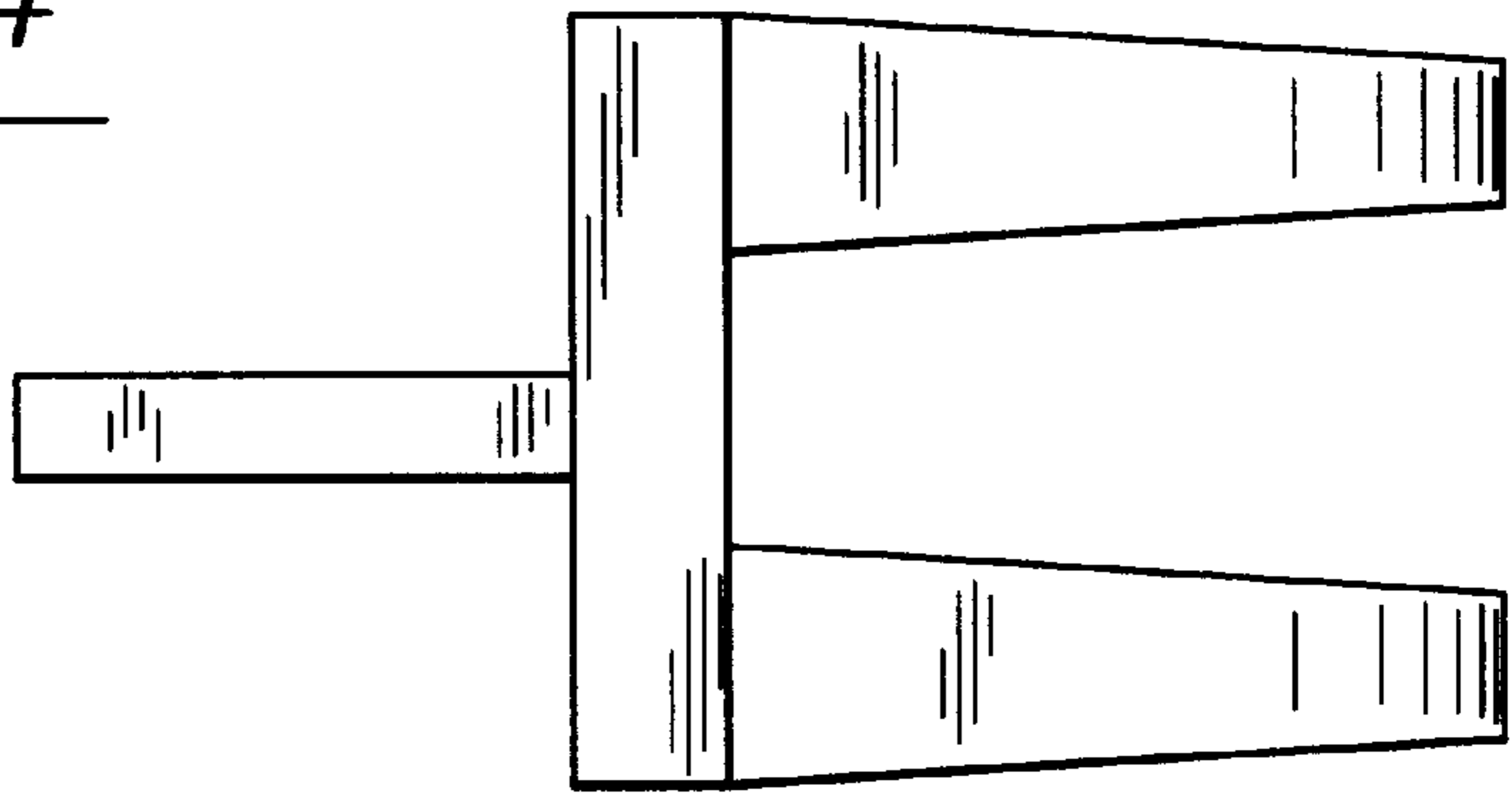


Fig. 5

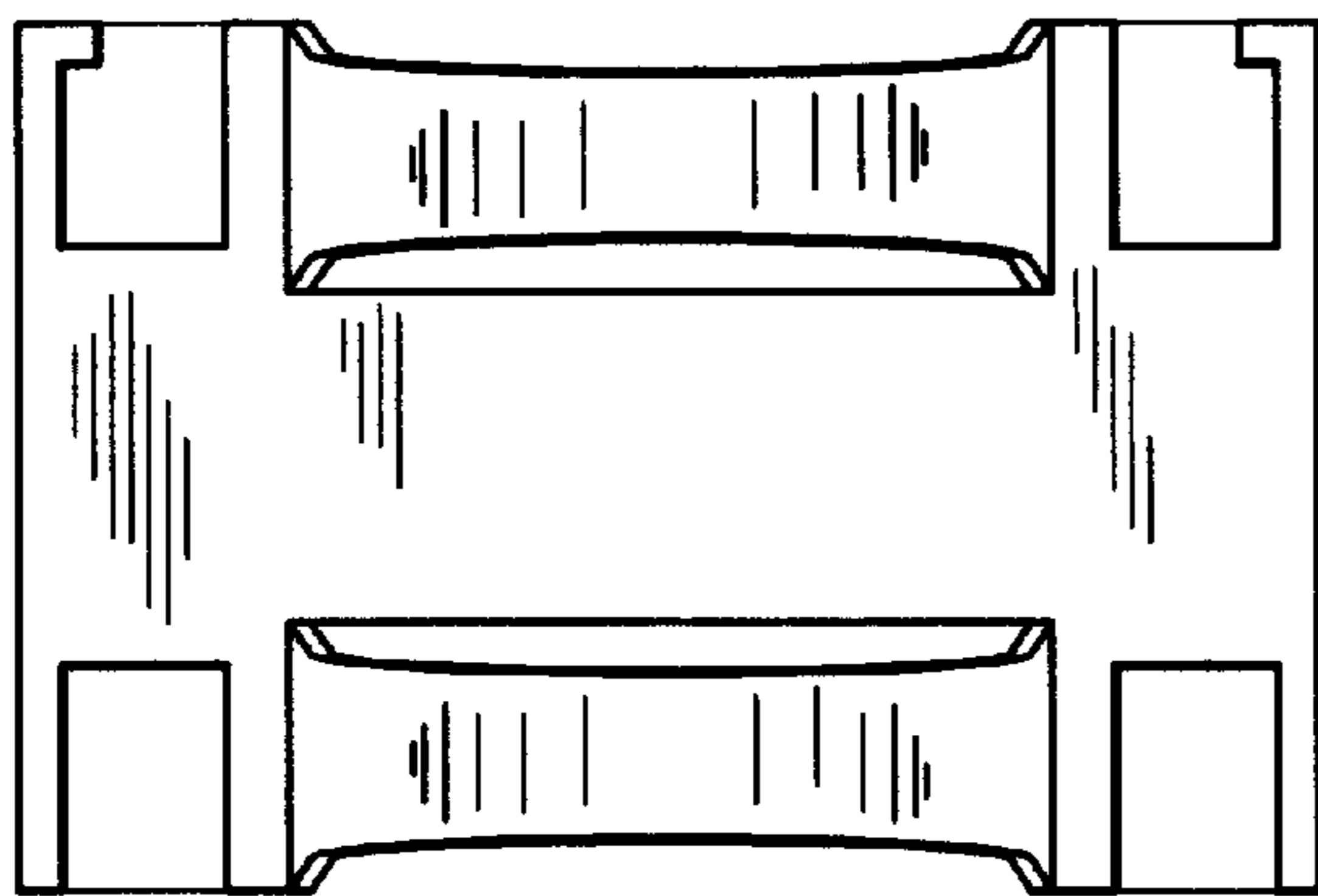


Fig. 6

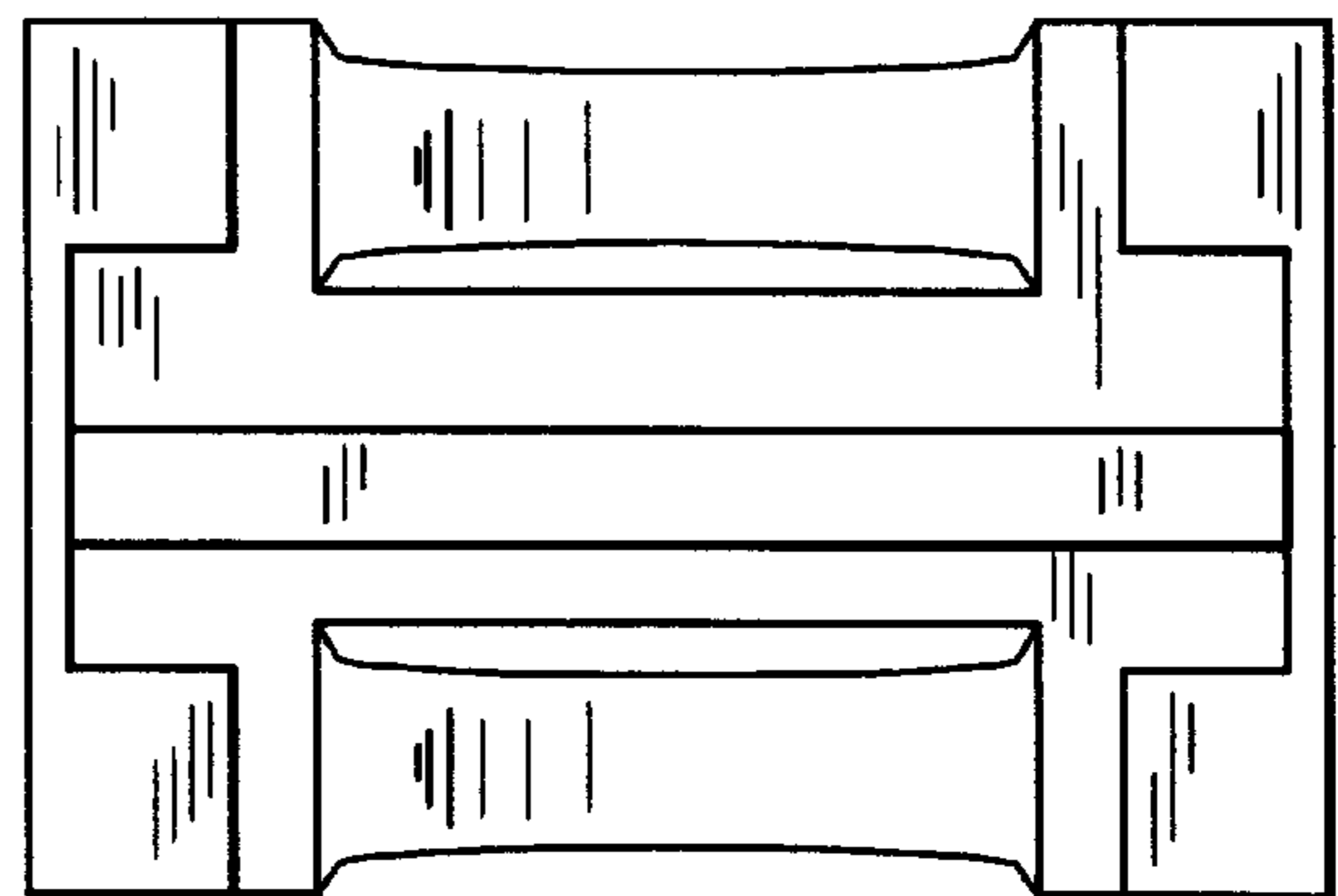


Fig. 7