



US00D485719S

(12) **United States Design Patent**
Ashby et al.

(10) **Patent No.:** **US D485,719 S**
(45) **Date of Patent:** **** Jan. 27, 2004**

(54) **TABLE TOP**

(75) Inventors: **Kent Ashby**, Logan, UT (US); **Jay Jones**, Clearfield, UT (US); **L. Curtis Strong**, Clearfield, UT (US); **Brandon Smith**, Ogden, UT (US)

(73) Assignee: **Lifetime Products, Inc.**, Clearfield, UT (US)

(**) Term: **14 Years**

(21) Appl. No.: **29/176,842**

(22) Filed: **Feb. 26, 2003**

(51) **LOC (7) Cl.** **06-06**

(52) **U.S. Cl.** **D6/511**

(58) **Field of Search** D6/480-489, 511,
D6/491, 429-431, 422; 108/150, 153.1,
155, 156, 157.1, 161, 50.01, 50.02; 312/140.2,
140.3

(56) **References Cited**

U.S. PATENT DOCUMENTS

D353,286 S * 12/1994 Hand D6/480
D355,091 S * 2/1995 Green et al. D6/511
D358,954 S * 6/1995 Leduc D6/480

D452,626 S * 1/2002 Petri D6/511
D452,787 S * 1/2002 Petri D6/511
D469,996 S * 2/2003 Ashby D6/511
D470,352 S * 2/2003 Strong D6/511

* cited by examiner

Primary Examiner—Janice E. Seeger

(74) *Attorney, Agent, or Firm*—Workman Nydegger

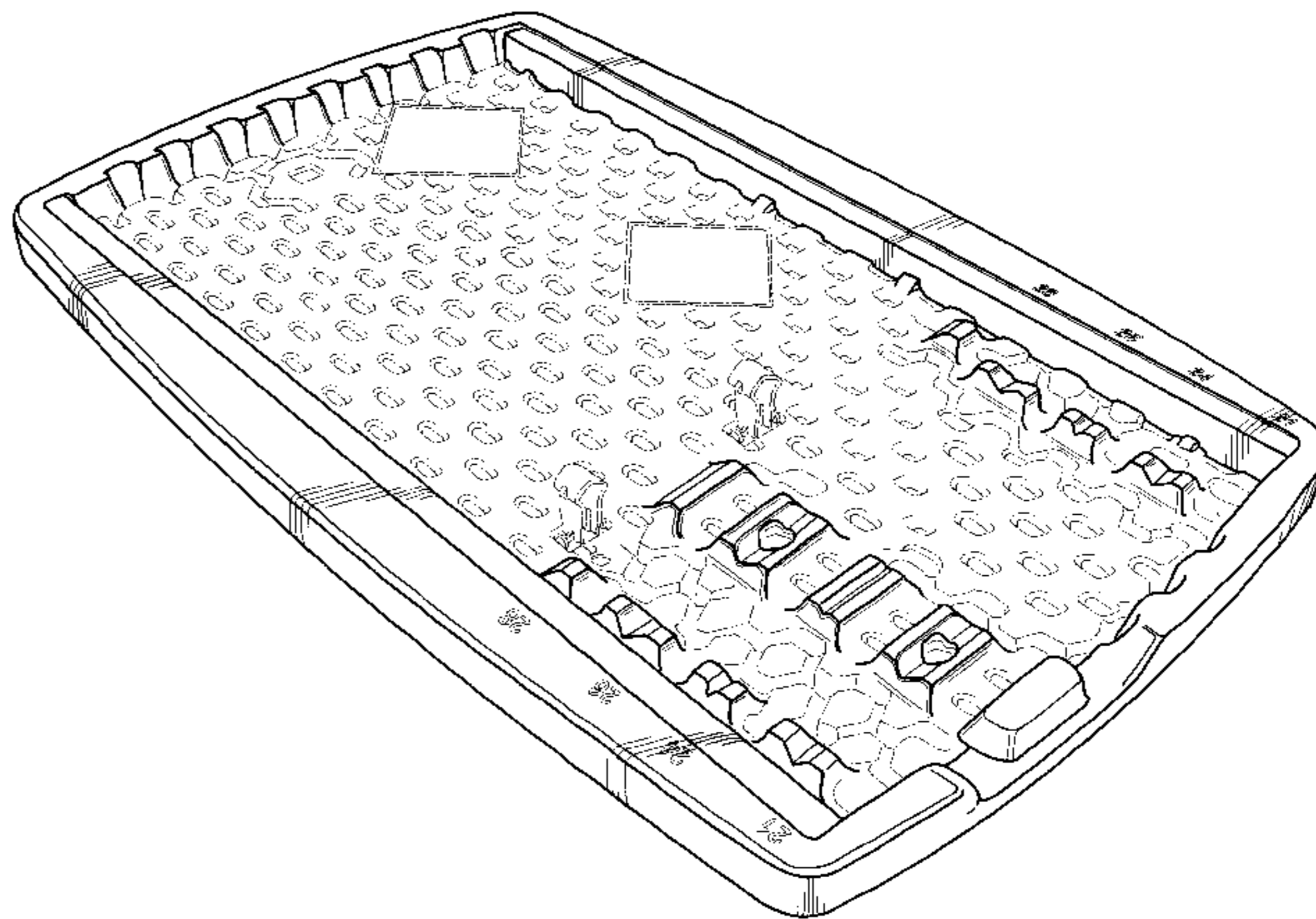
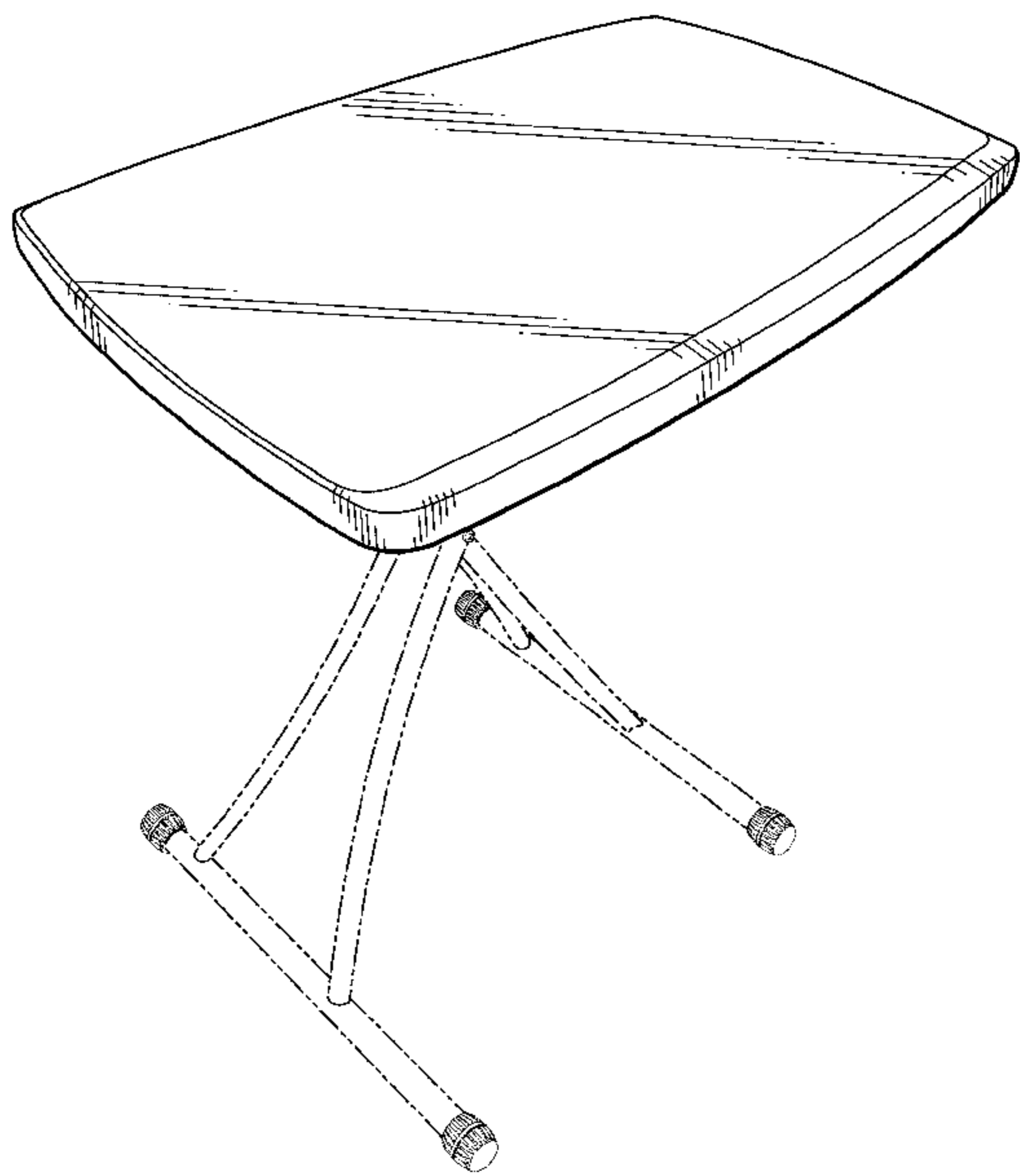
(57) **CLAIM**

The ornamental design for a table top, as shown and described.

DESCRIPTION

FIG. 1 is a top perspective view of a table top;
FIG. 2 is a bottom perspective view of the table top shown in FIG. 1;
FIG. 3 is a bottom view of the table top shown in FIG. 1;
FIG. 4 is a top view of the table top shown in FIG. 1;
FIG. 5 is a right side view of the table top shown in FIG. 1;
FIG. 6 is a left side view of the table top shown in FIG. 1;
FIG. 7 is a front view of the table top shown in FIG. 1; and
FIG. 8 is a back view of the table top shown in FIG. 1.
The broken lines are for illustrative purposes only and form no part of the claimed design.

1 Claim, 5 Drawing Sheets



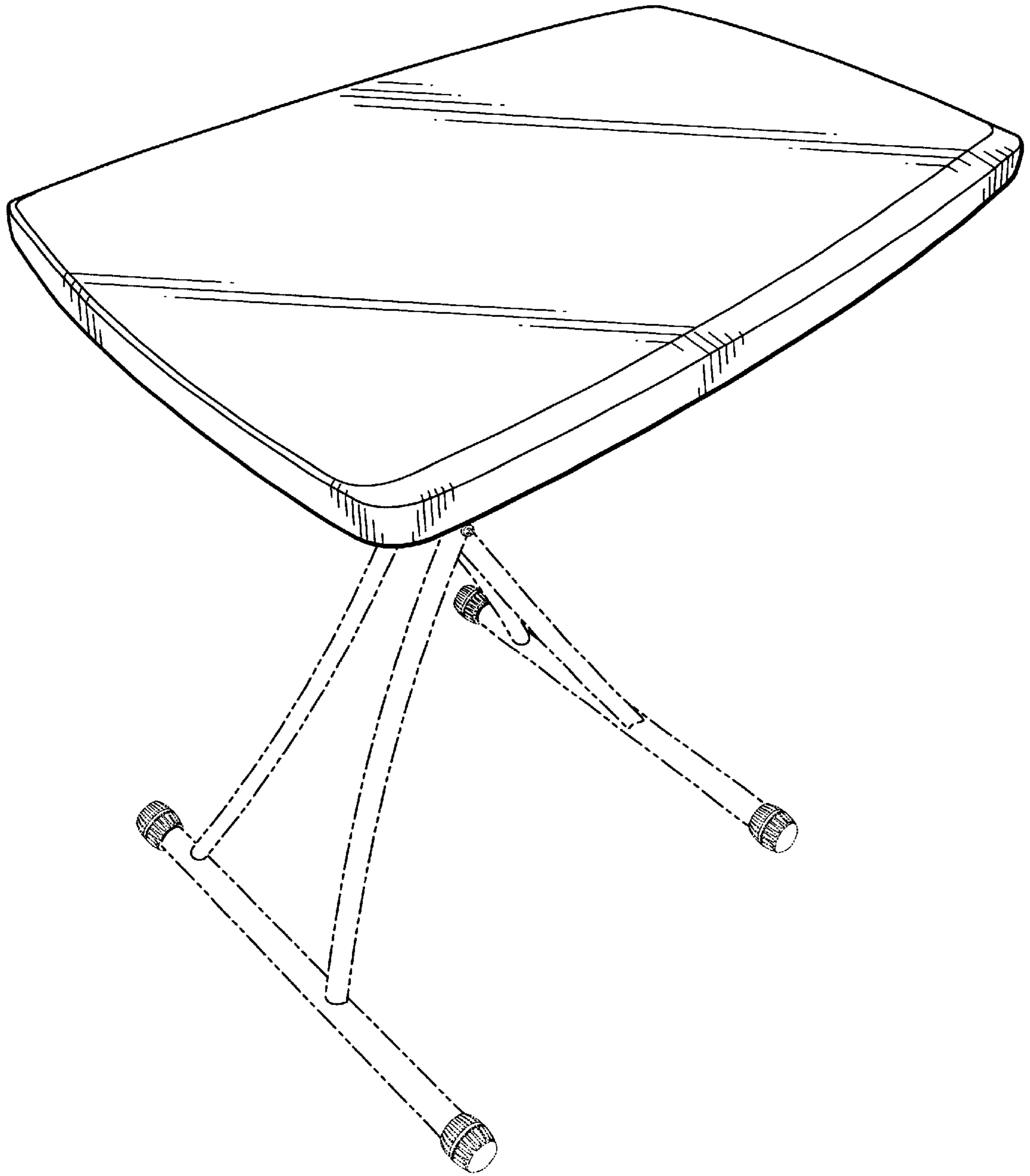


Fig. 1

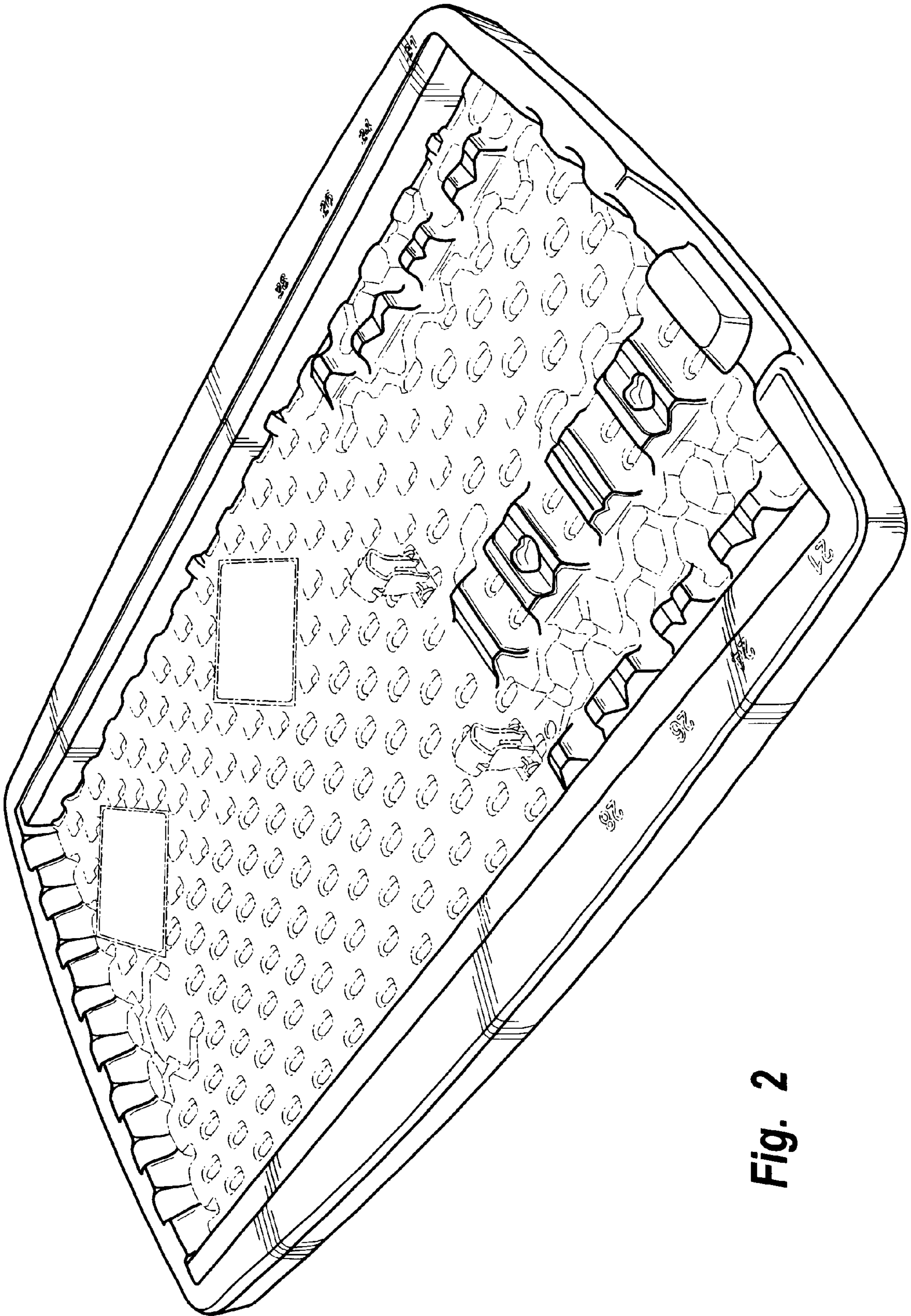


Fig. 2

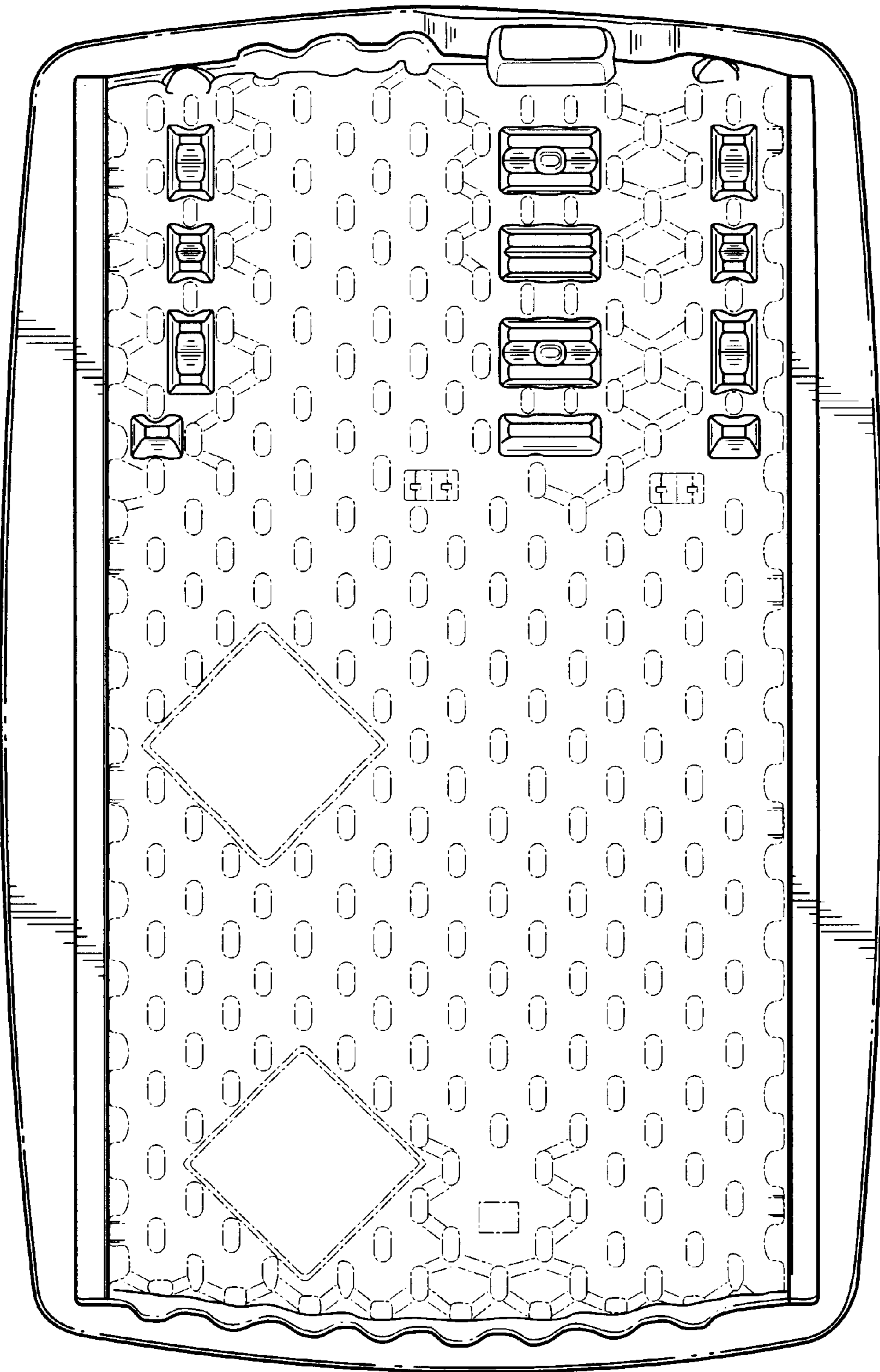


Fig. 3

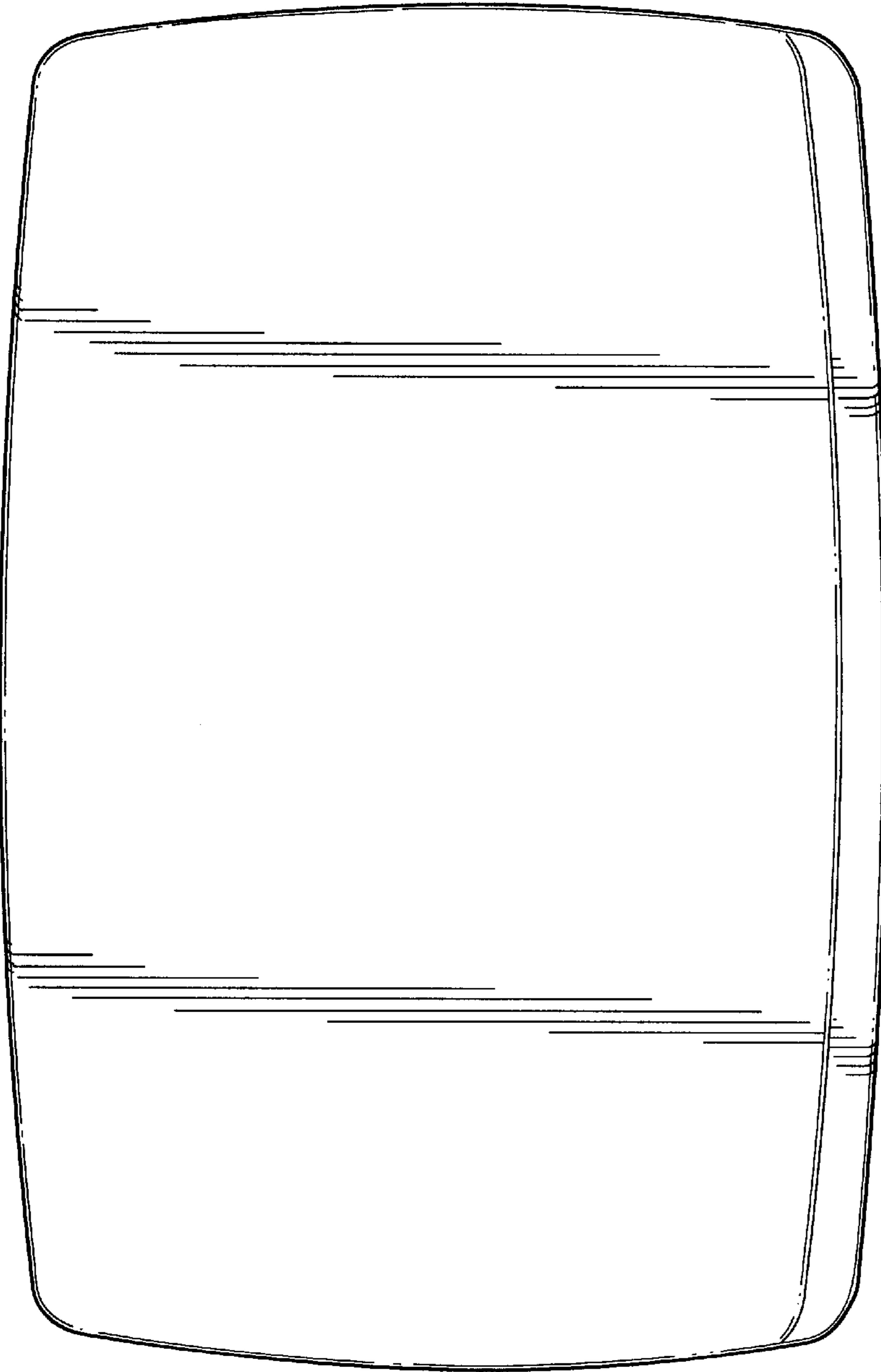


Fig. 4

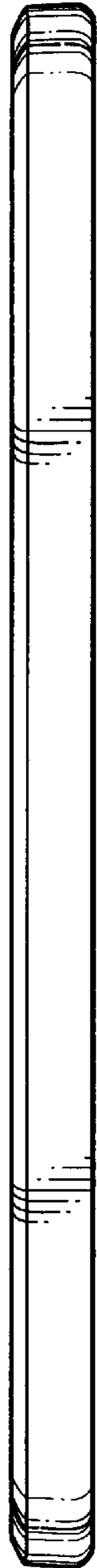


Fig. 5

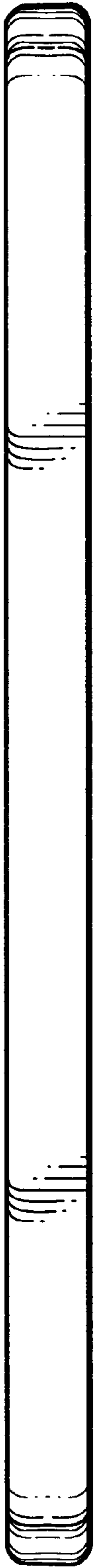


Fig. 6



Fig. 7



Fig. 8

UNITED STATES PATENT AND TRADEMARK OFFICE
CERTIFICATE OF CORRECTION

PATENT NO. : Des. 485,719 S
DATED : January 27, 2004
INVENTOR(S) : Ashby et al.

Page 1 of 1

It is certified that error appears in the above-identified patent and that said Letters Patent is hereby corrected as shown below:

Title page.

Item [75], Inventors, please delete the following inventors: “**Jay Jones**, Clearfield, UT (US);”, “**Brandon Smith**, Ogden, UT (US); **Kent Ashby**, Logan, UT (US);” and please add -- **Thayne B. Haney**, Syracuse, UT (US) --

Signed and Sealed this

Twenty-seventh Day of July, 2004

A handwritten signature in black ink that reads "Jon W. Dudas". The signature is written in a cursive style with a large, looped initial "J".

JON W. DUDAS

Acting Director of the United States Patent and Trademark Office