



US00D485718S

(12) **United States Design Patent**
Boron

(10) **Patent No.:** **US D485,718 S**

(45) **Date of Patent:** **** Jan. 27, 2004**

(54) **TRANSLUCENT PRODUCT HOLDING SHELF WITH INCLUSIONS**

(75) Inventor: **Andrew J. Boron**, Belleville, IL (US)

(73) Assignee: **Paul Flum Ideas, Inc.**, St. Louis, MO (US)

(**) Term: **14 Years**

(21) Appl. No.: **29/175,705**

(22) Filed: **Feb. 7, 2003**

(51) **LOC (7) Cl.** **06-06**

(52) **U.S. Cl.** **D6/511**

(58) **Field of Search** D6/408, 467, 468, D6/469, 473, 474, 475, 476, 477-479, 511; 108/59, 91, 93, 106, 147.12, 147.13; 211/85.4, 49.1, 74, 183, 187, 188, 203; 206/562-564; 220/513-516

(56) **References Cited**

U.S. PATENT DOCUMENTS

D186,060 S	*	9/1959	Udesky et al.	D6/461
D284,533 S	*	7/1986	Berry, Jr.	D6/478
4,815,394 A	*	3/1989	Ettlinger et al.	108/107
D304,398 S	*	11/1989	Goetz	D6/479
4,930,643 A		6/1990	Flum		
5,048,305 A		9/1991	Taub		
D321,101 S	*	10/1991	Zucker	D6/479
D321,296 S	*	11/1991	Miranda	D6/461
D323,262 S	*	1/1992	Flum	D6/479
D326,800 S		6/1992	Flum		
D326,801 S		6/1992	Flum		
5,433,085 A		7/1995	Rogers		
D368,396 S	*	4/1996	Bidwell	D6/479
D383,339 S	*	9/1997	Grosfillex	D6/511
5,756,211 A		5/1998	Ittmann et al.		
D406,712 S		3/1999	Bidwell		
D407,928 S		4/1999	Bidwell		
5,910,162 A		6/1999	Harbour et al.		

D412,078 S		7/1999	Bidwell		
D413,217 S		8/1999	Bidwell et al.		
D413,745 S		9/1999	Bidwell et al.		
5,976,446 A		11/1999	Lin et al.		
6,022,437 A		2/2000	White		
D421,350 S	*	3/2000	Bidwell et al.	D6/450
6,068,896 A		5/2000	Manabe et al.		
6,200,410 B1		3/2001	Kukoff		
6,210,782 B1		4/2001	Mizutani et al.		
D471,383 S	*	3/2003	Linz	D6/475

* cited by examiner

Primary Examiner—Cathron C. Brooks

(74) *Attorney, Agent, or Firm*—Blackwell Sanders Peper Martin, LLP

(57) **CLAIM**

The ornamental design for a translucent product holding shelf with inclusions, as shown and described.

DESCRIPTION

A product holding shelf for use in holding and merchandising products therefrom made of a translucent material wherein the translucent material includes a plurality of inclusions embedded within the material which can be seen and viewed through the translucent material. The translucent material may be of any color so long as the inclusions may be viewed therethrough.

FIG. 1 is a perspective view of a translucent product holding shelf showing my new design.

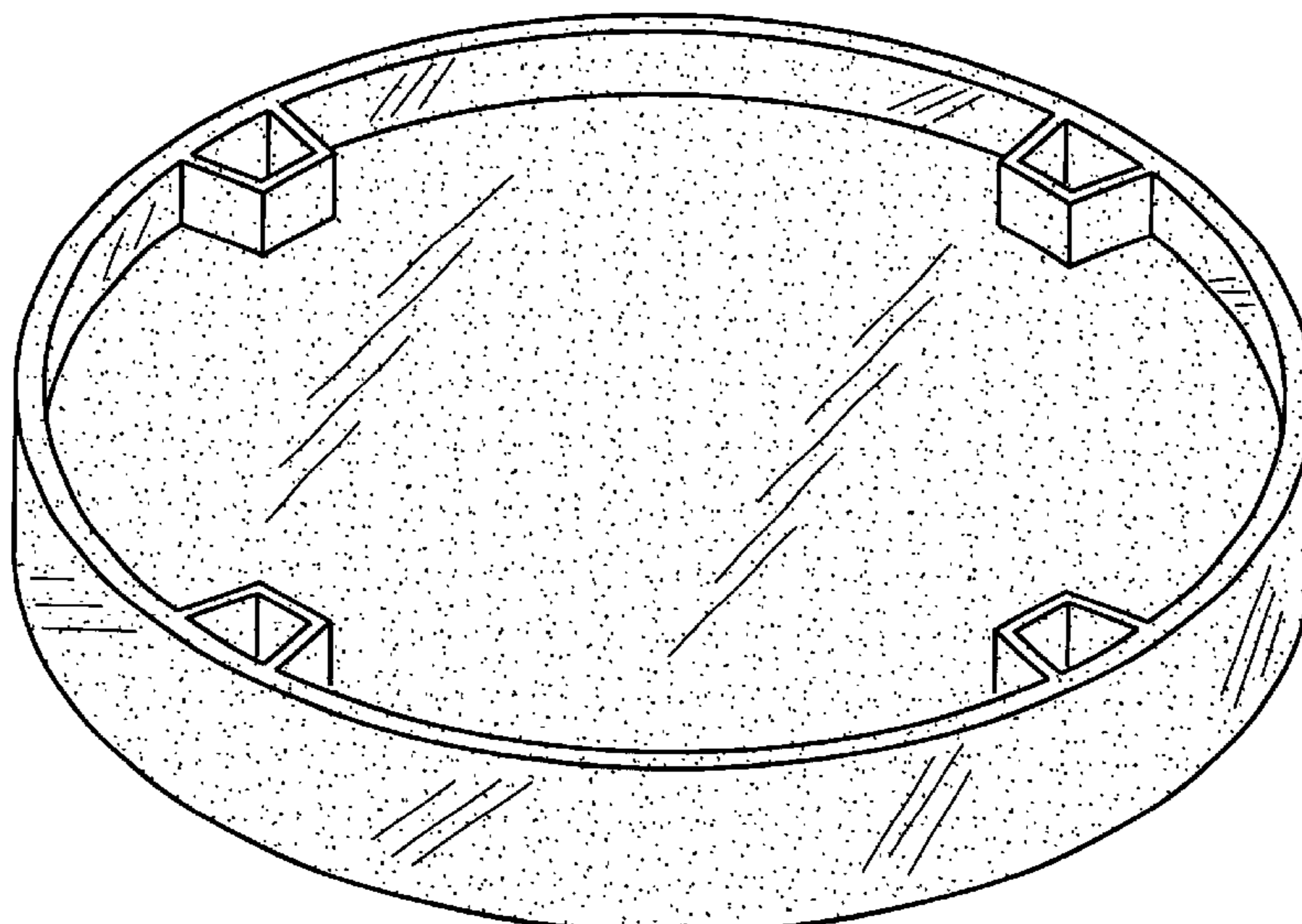
FIG. 2 is a front elevational view thereof, the side and rear elevational views being a mirror image thereof.

FIG. 3 is a top plan view thereof.

FIG. 4 is a cross-sectional view taken along line 4—4 of FIG. 3 showing the inclusions embedded in the translucent shelf structure thereof, the cross-sectional view being taken solely through the floor portion and peripheral sidewall associated therewith; and,

FIG. 5 is a bottom plan view thereof.

1 Claim, 3 Drawing Sheets



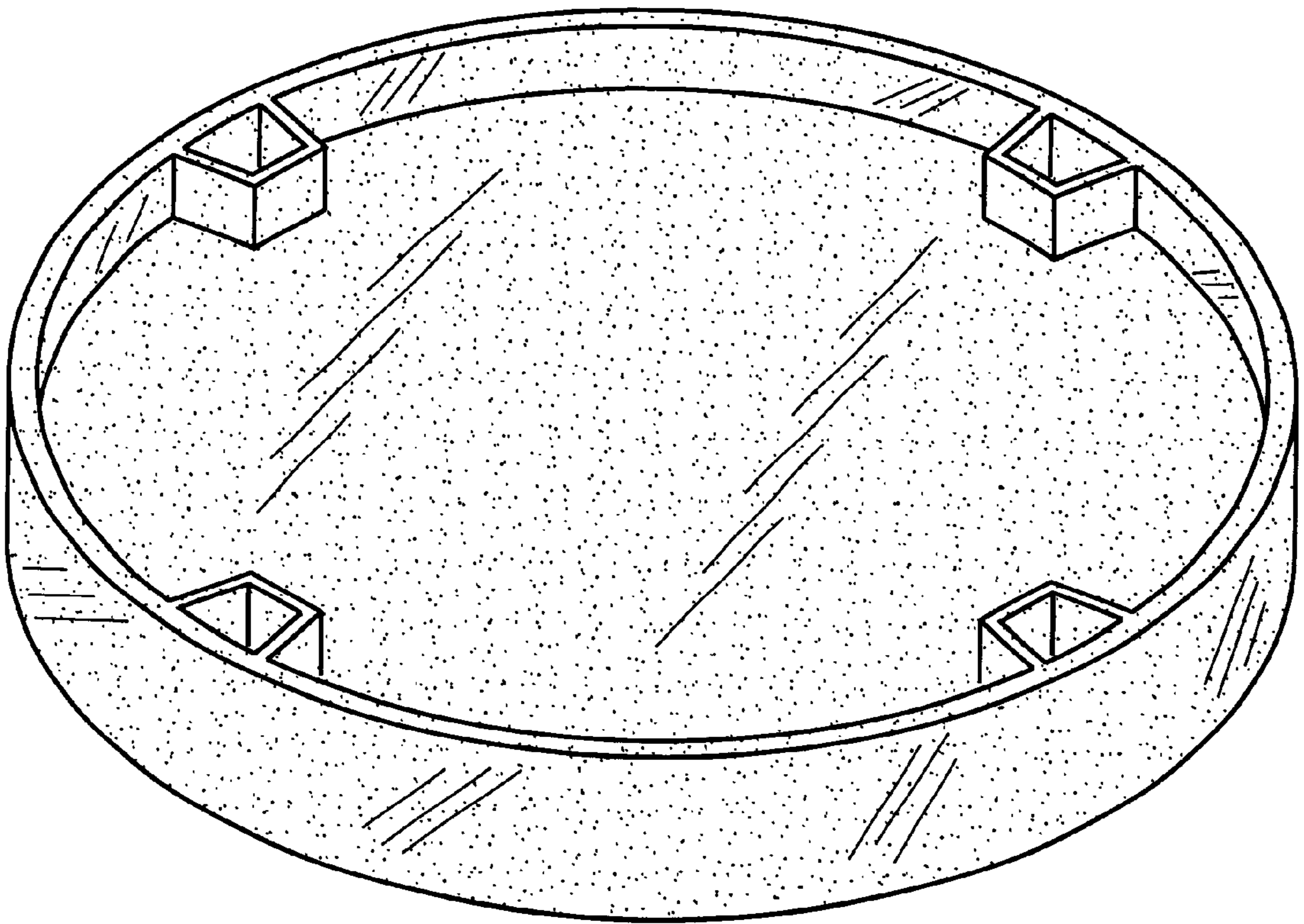


FIG. 1

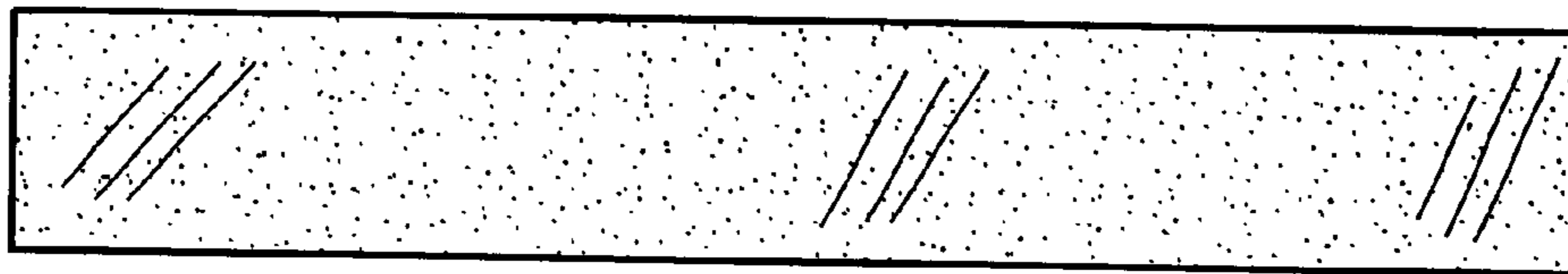


FIG. 2

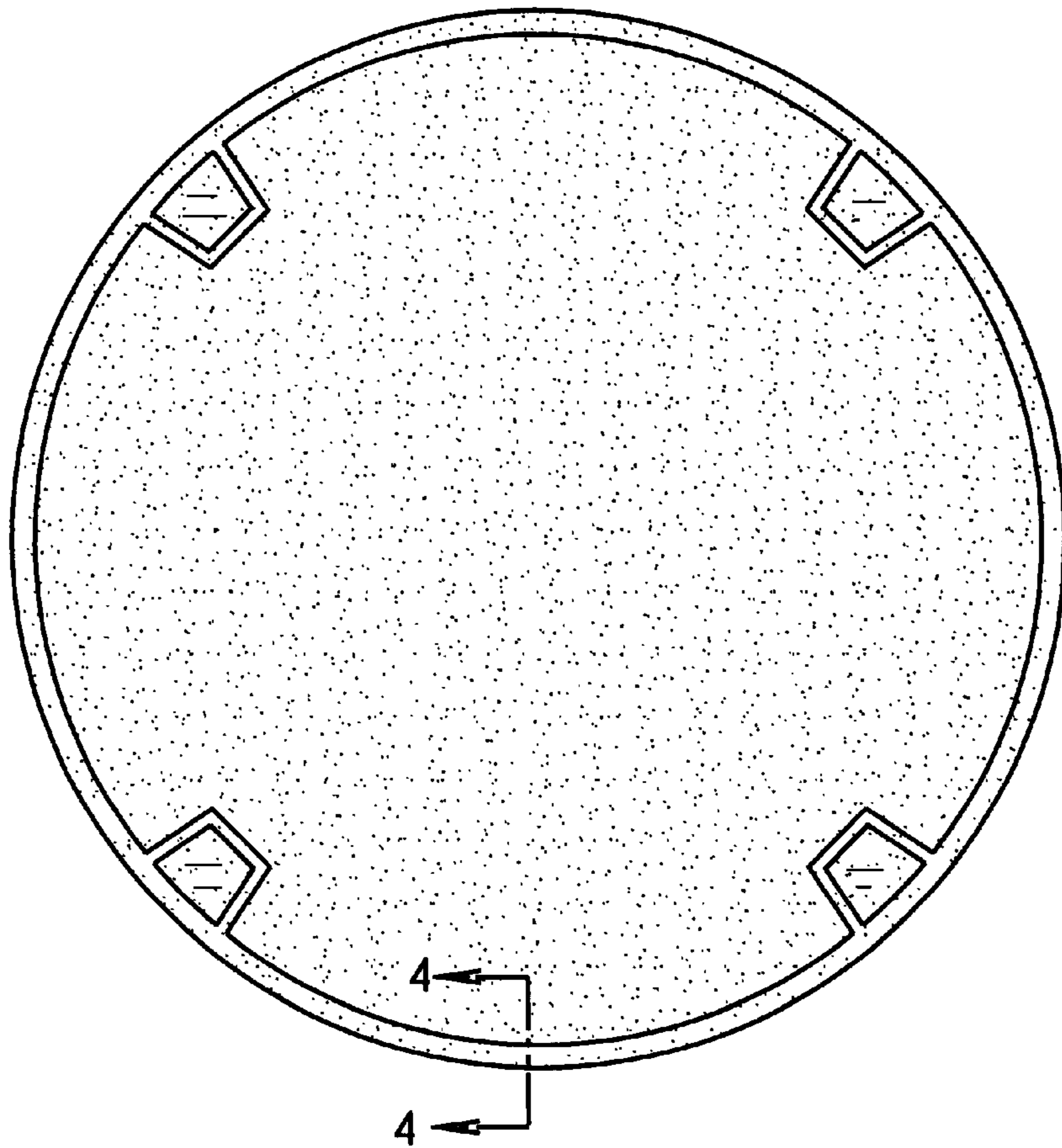


FIG. 3

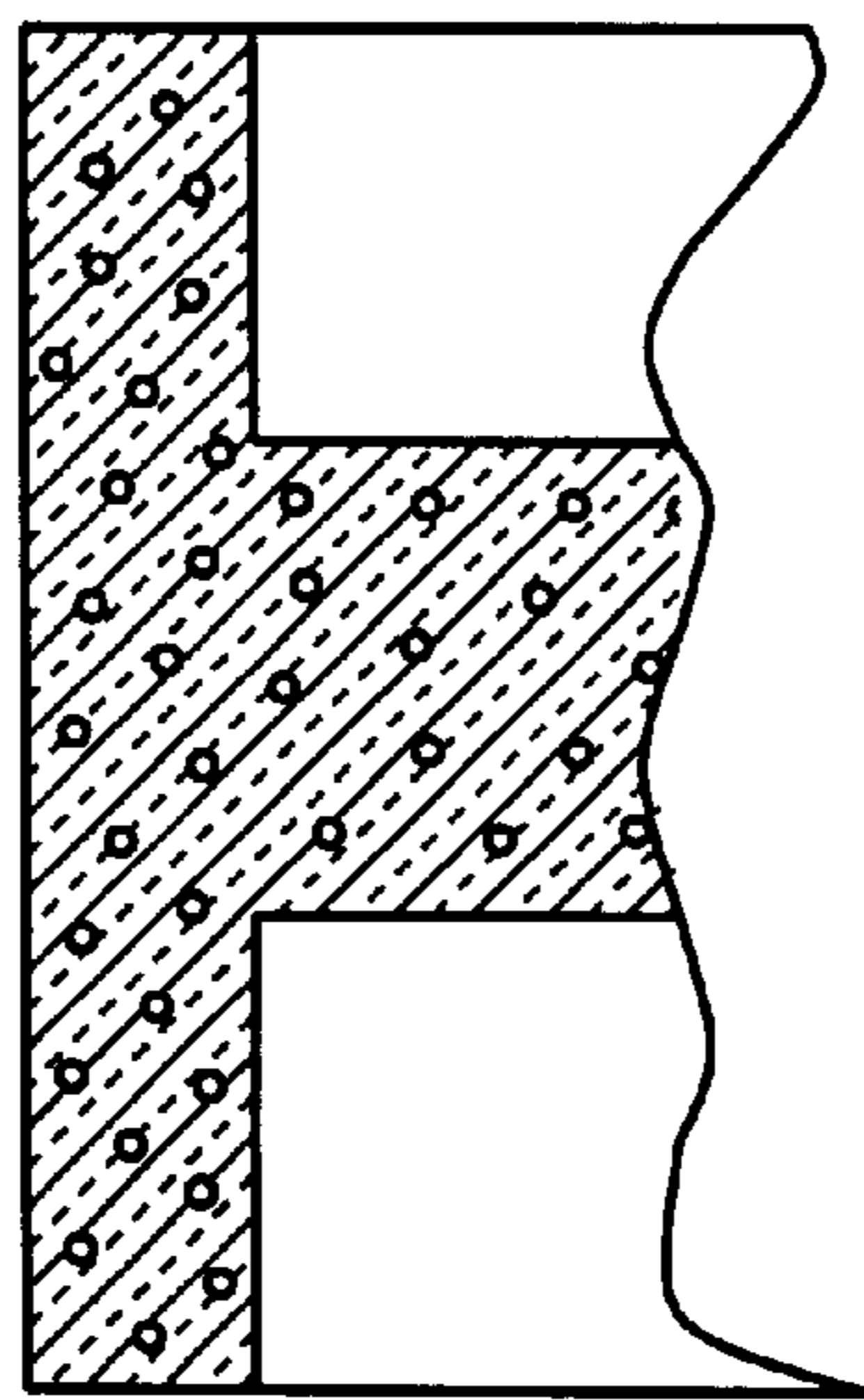


FIG. 4

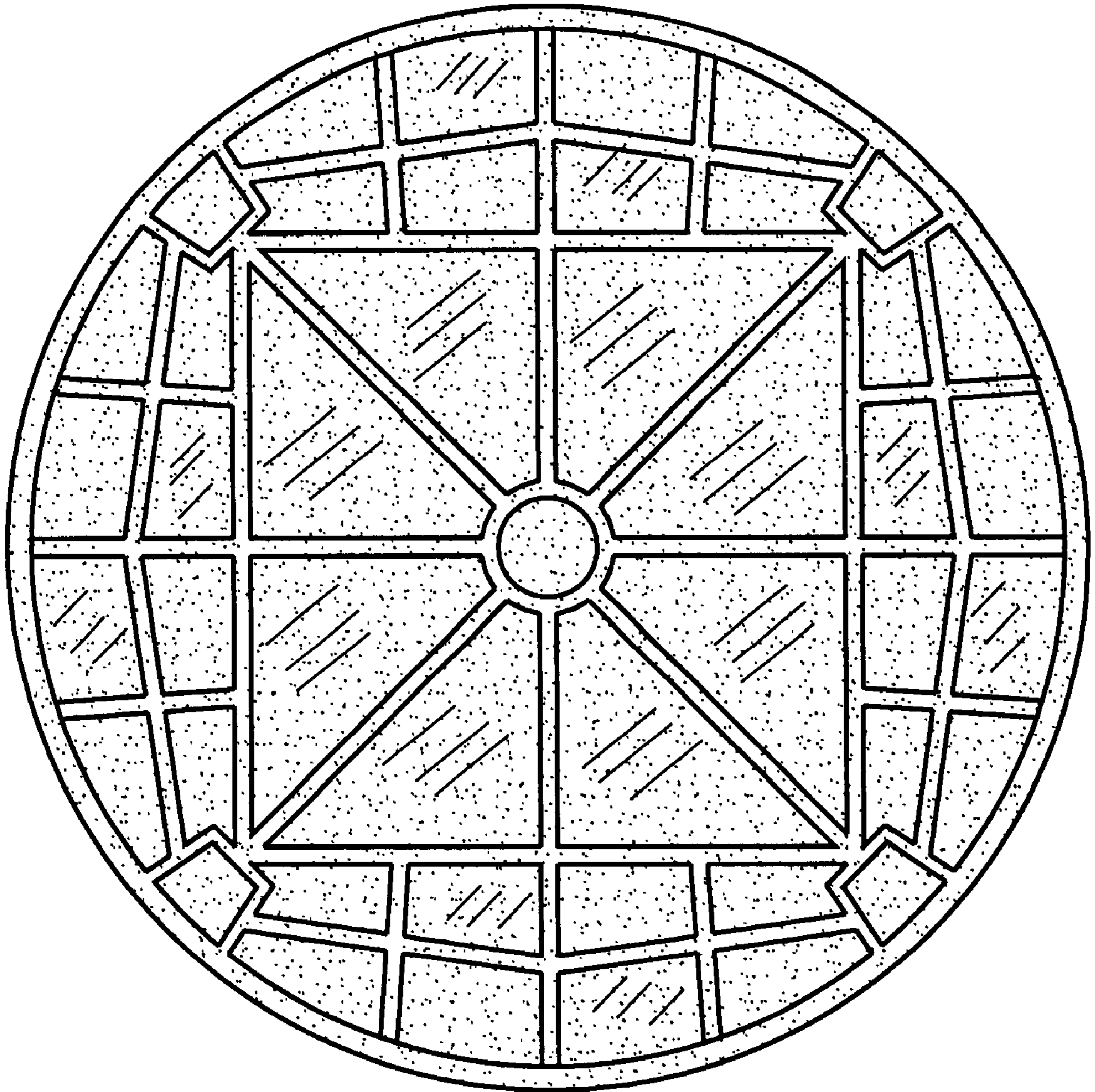


FIG. 5