



US00D485710S

(12) **United States Design Patent**
Burkhart et al.

(10) **Patent No.:** **US D485,710 S**
(45) **Date of Patent:** **** Jan. 27, 2004**

(54) **STORAGE DEVICE FOR UMBRELLA TABLE**

(76) Inventors: **Patti A Burkhart**, 3225 S. Delaware St., Englewood, CO (US) 80110; **Lynn L Lewis**, 11428 12 Ave. West A 101, Everett, WA (US) 98204

(**) Term: **14 Years**

(21) Appl. No.: **29/161,532**

(22) Filed: **May 31, 2002**

(51) **LOC (7) Cl.** **06-06**

(52) **U.S. Cl.** **D6/491; D11/152**

(58) **Field of Search** D11/143, 144, D11/152, 153, 154; D6/480, 416, 491; D7/501, 547, 555, 610; 47/66.2, 66.6, 71, 80, 81, 82, 41.01; 206/423, 557; 248/27.8; D30/130

(56) **References Cited**

U.S. PATENT DOCUMENTS

- 3,747,268 A 7/1973 Linder
- D273,430 S * 4/1984 Salinas D30/130
- 4,597,221 A 7/1986 Adair et al.
- 4,708,256 A * 11/1987 Intardonato D11/152
- 4,821,454 A 4/1989 Wilds
- 4,825,592 A * 5/1989 Earls 47/82

- D351,121 S 10/1994 Lauchlan
- D383,417 S * 9/1997 Davis D11/152
- D389,011 S * 1/1998 DeCoster D7/547
- 5,960,587 A 10/1999 Brasseur, Jr. et al.
- 5,967,359 A 10/1999 Mindell
- D434,697 S * 12/2000 Dachtera D11/152
- D453,488 S * 2/2002 McCauley D11/152

* cited by examiner

Primary Examiner—Doris V. Coles
Assistant Examiner—Mimosa De

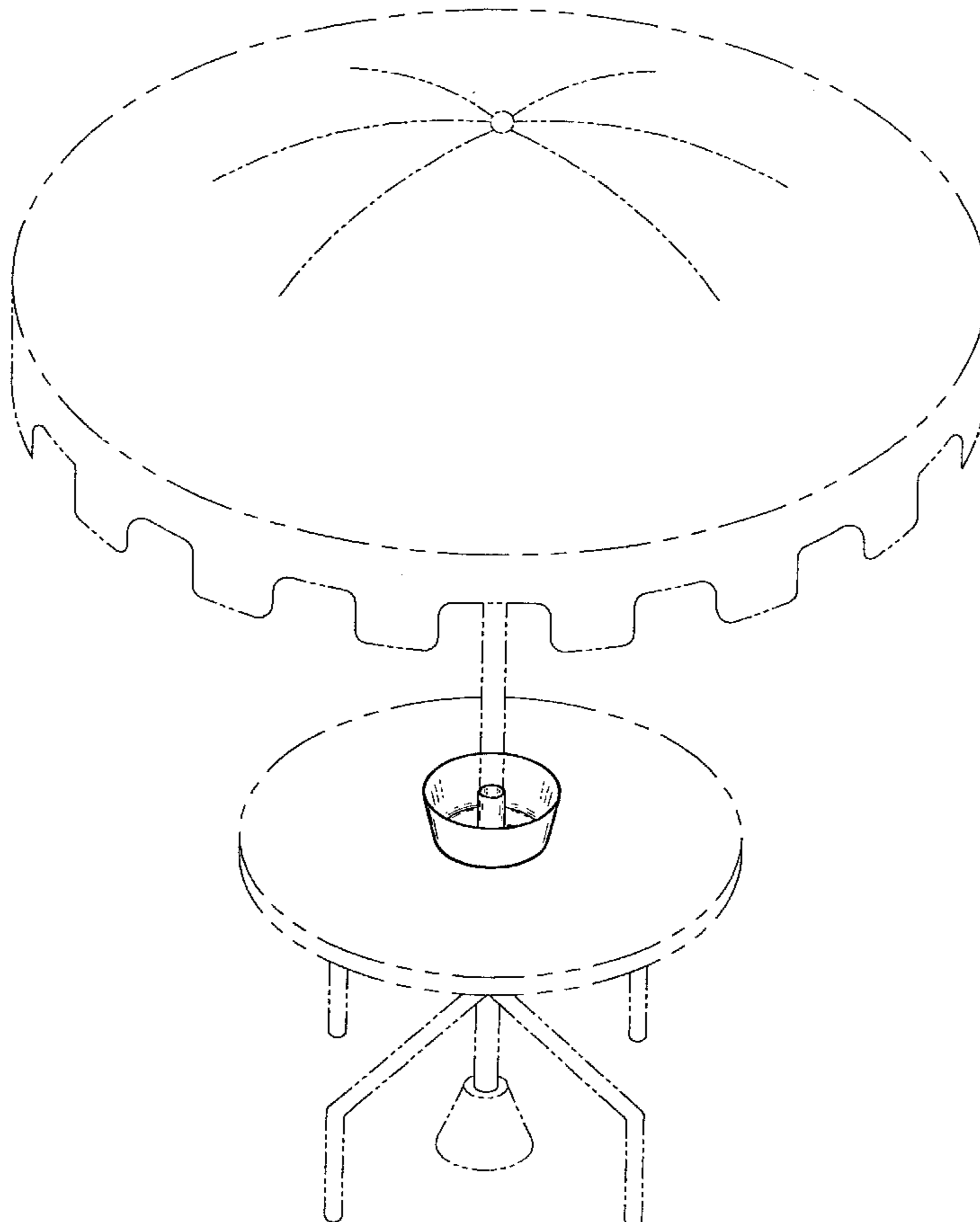
(57) **CLAIM**

The ornamental design for a storage device for umbrella table, as shown and described.

DESCRIPTION

FIG. 1 is a top plan view of a storage device for umbrella table showing our new design;
FIG. 2 is a bottom plan view thereof;
FIG. 3 is a left side elevational view thereof;
FIG. 4 is a right side elevational view thereof; and,
FIG. 5 is a perspective view thereof.
The broken lines showing of a table and umbrella in FIG. 5 are for illustrative purposes only and form no part of the claimed design.

1 Claim, 2 Drawing Sheets



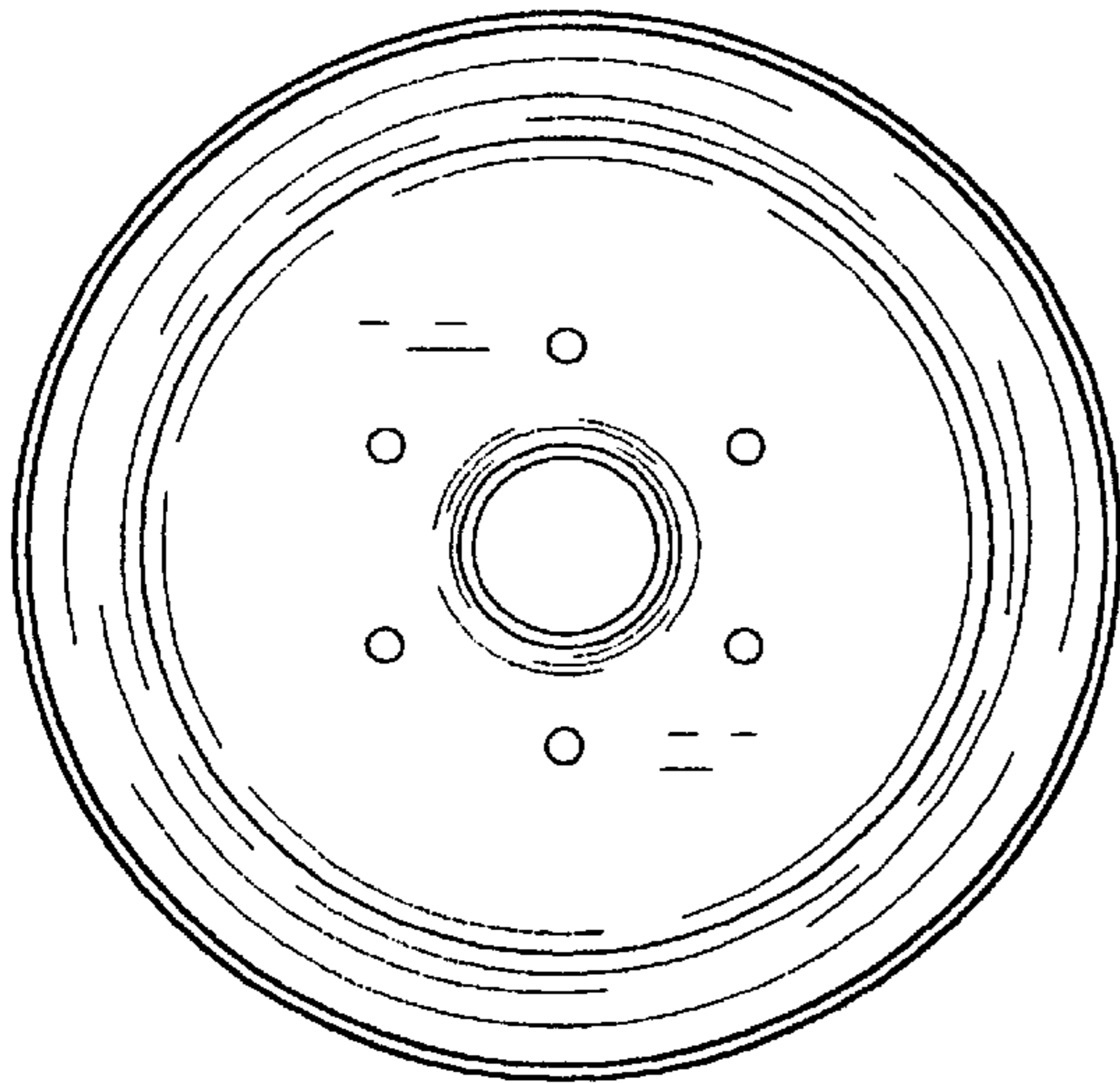


FIG. 1

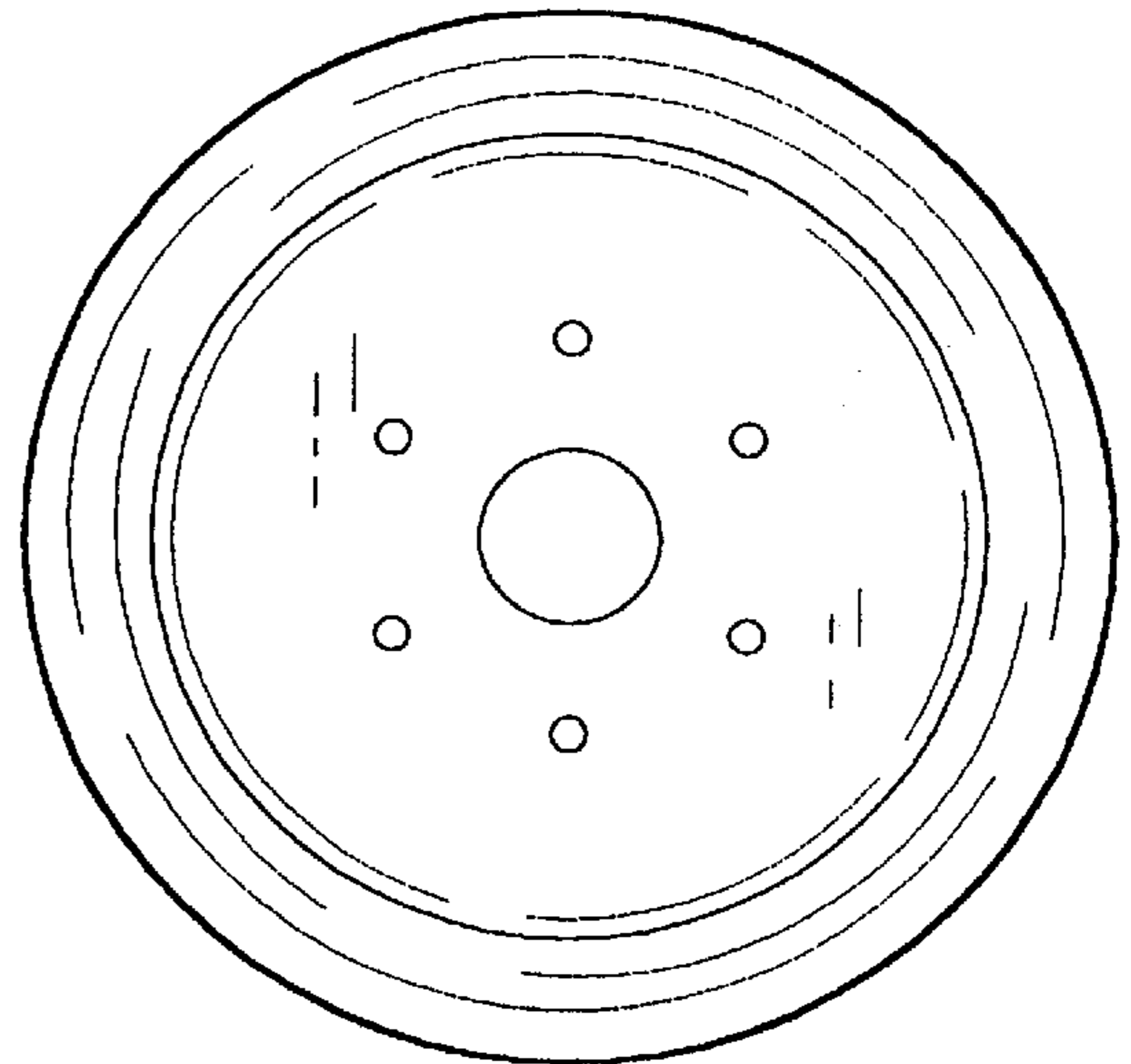


FIG. 2

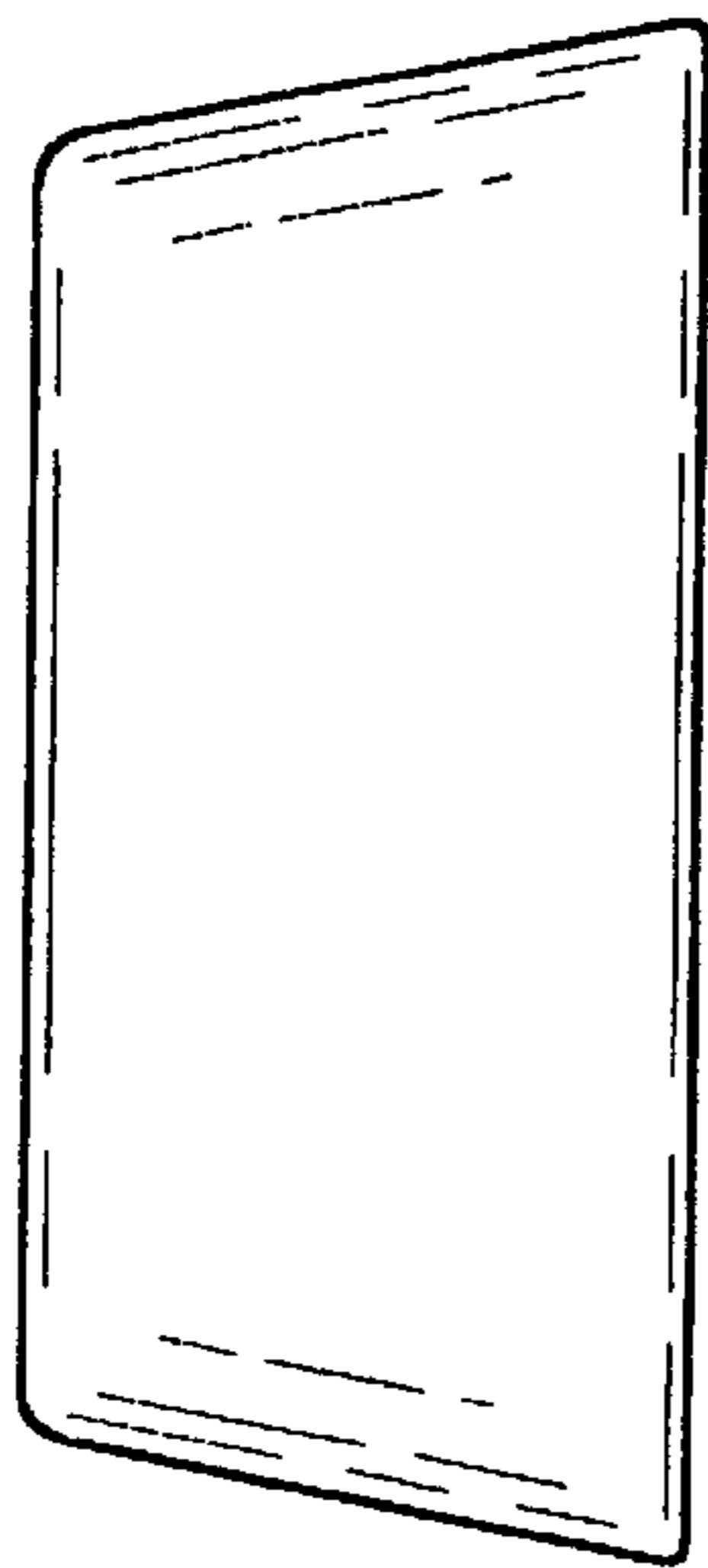


FIG. 3

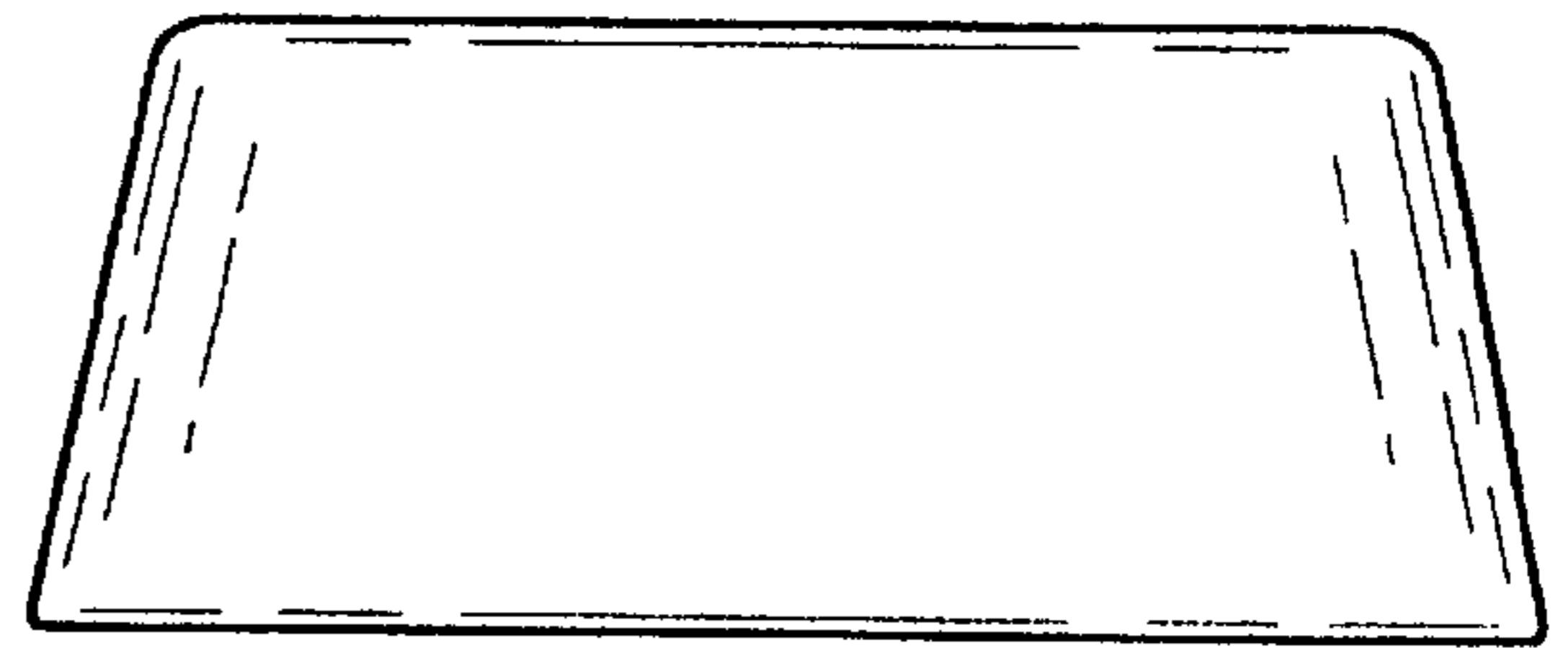


FIG. 4

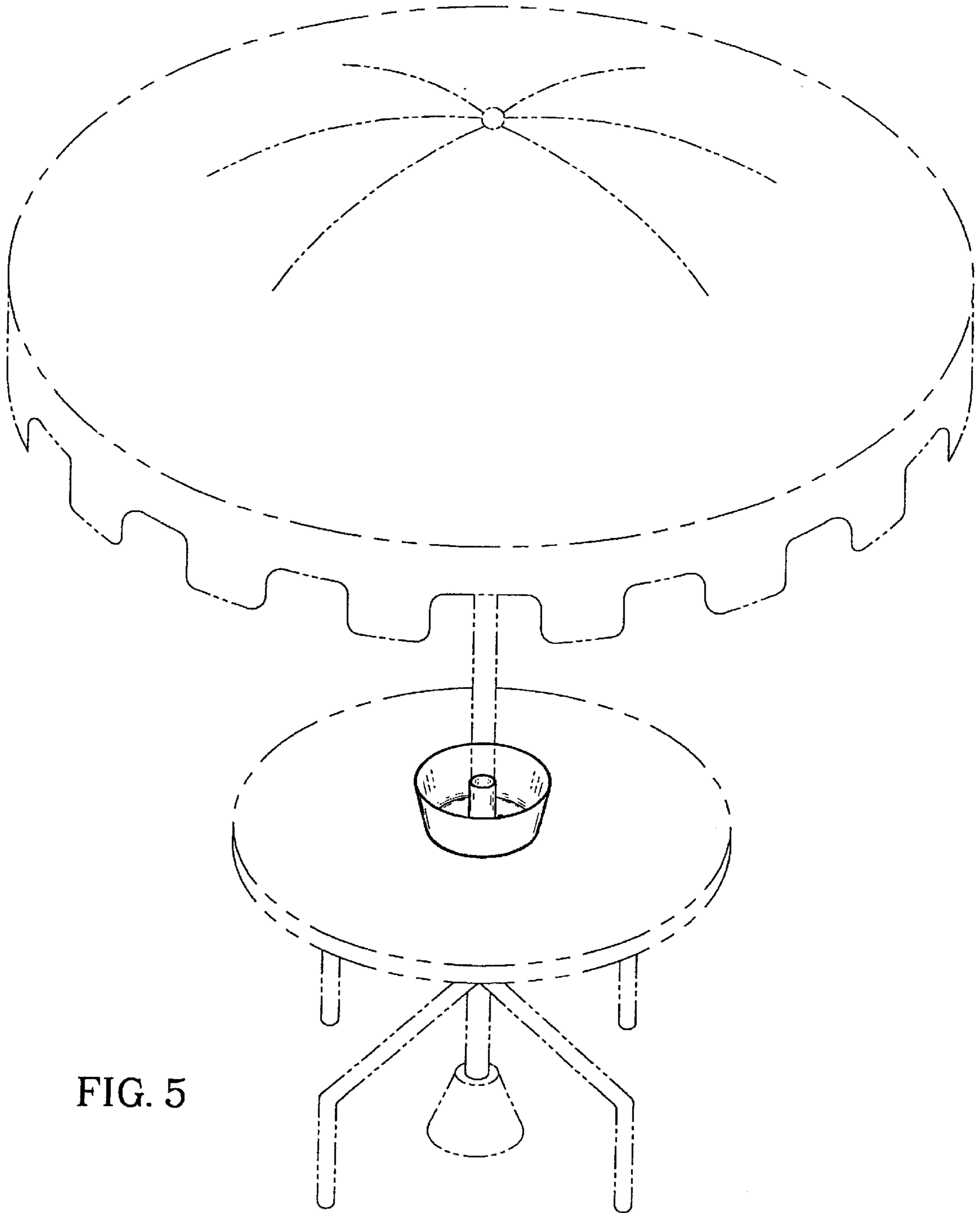


FIG. 5