



US00D485708S

(12) **United States Design Patent**
Robertson

(10) **Patent No.:** **US D485,708 S**

(45) **Date of Patent:** **** Jan. 27, 2004**

(54) **EASEL**

(76) **Inventor:** **Kim Robertson**, 14 S. 1300 West,
Blackfoot, ID (US) 83221

(**) **Term:** **14 Years**

(21) **Appl. No.:** **29/178,777**

(22) **Filed:** **Mar. 31, 2003**

(51) **LOC (7) Cl.** **06-04**

(52) **U.S. Cl.** **D6/474**

(58) **Field of Search** D6/396, 397, 630,
D6/449, 465, 468, 474, 499, 476-479, 510,
511, 310-312; 108/59-61, 91-93, 147.11,
158.11; 211/42, 43, 49.1, 85.26, 133.2,
134, 181.1, 182, 188, 203; 312/7.2; 248/455,
460, 463-465

(56) **References Cited**

U.S. PATENT DOCUMENTS

4,691,832	A	*	9/1987	Steiger	211/181.1	X
5,129,525	A	*	7/1992	Maynard, Jr.	211/42	X
D337,438	S	*	7/1993	Levin	D6/311	
D346,058	S	*	4/1994	Samso	D6/474	X
D350,659	S	*	9/1994	Tomasso	D6/479	
D364,763	S	*	12/1995	Sielaff	D6/479	
D447,646	S	*	9/2001	Chang	D6/426	
D469,980	S	*	2/2003	Pressoir	D6/426	

* cited by examiner

Primary Examiner—Cathron C. Brooks

(74) *Attorney, Agent, or Firm*—Ormiston & McKinney,
PLLC

(57) **CLAIM**

The ornamental design for an easel, as shown and described.

DESCRIPTION

FIG. 1 is a right-front perspective view showing the new easel design;

FIG. 2 is a top view thereof

FIG. 3 is a left-side view thereof (the right-side view is not shown but is a mirror image of the view shown in FIG. 3);

FIG. 4 is a front view thereof;

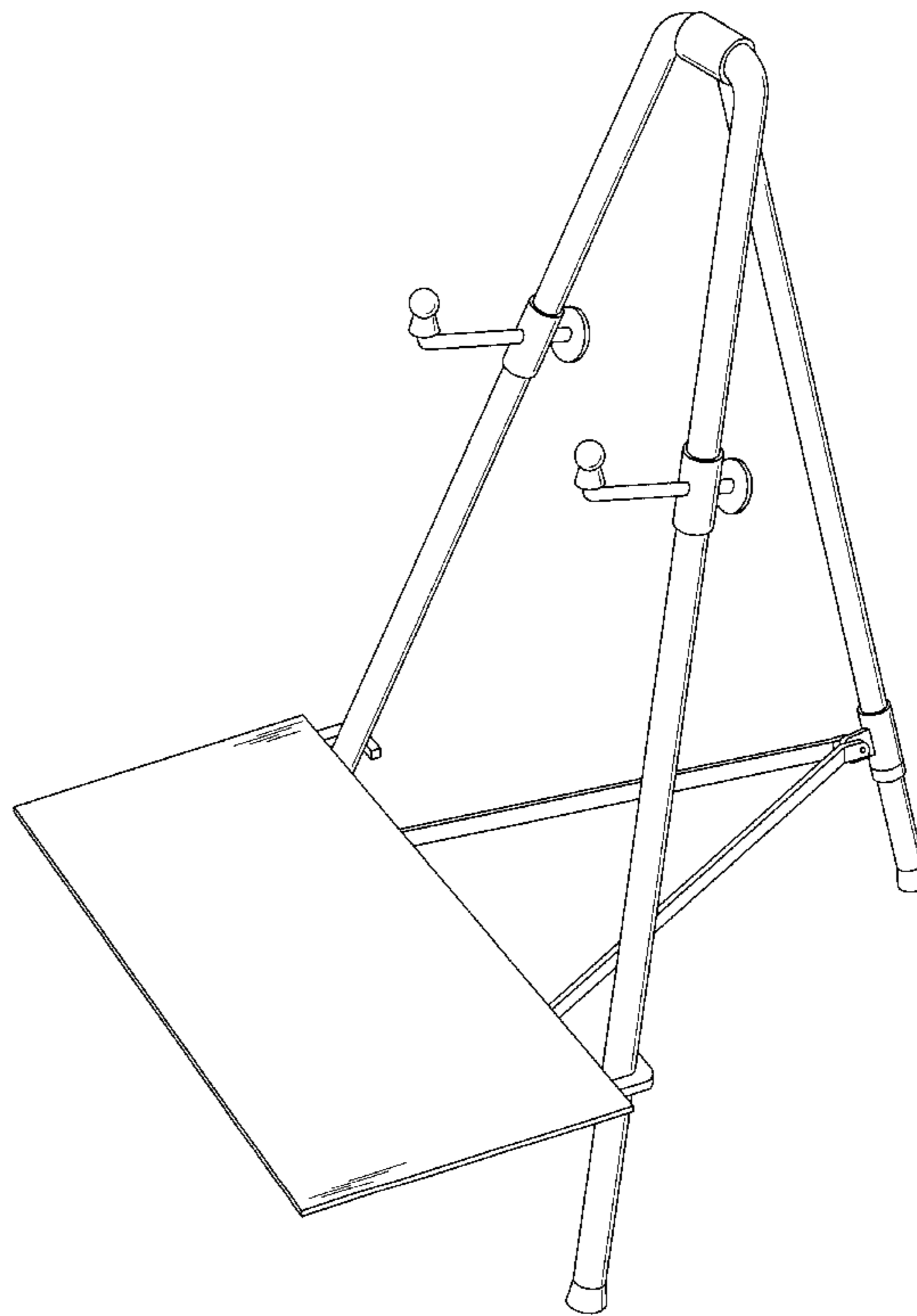
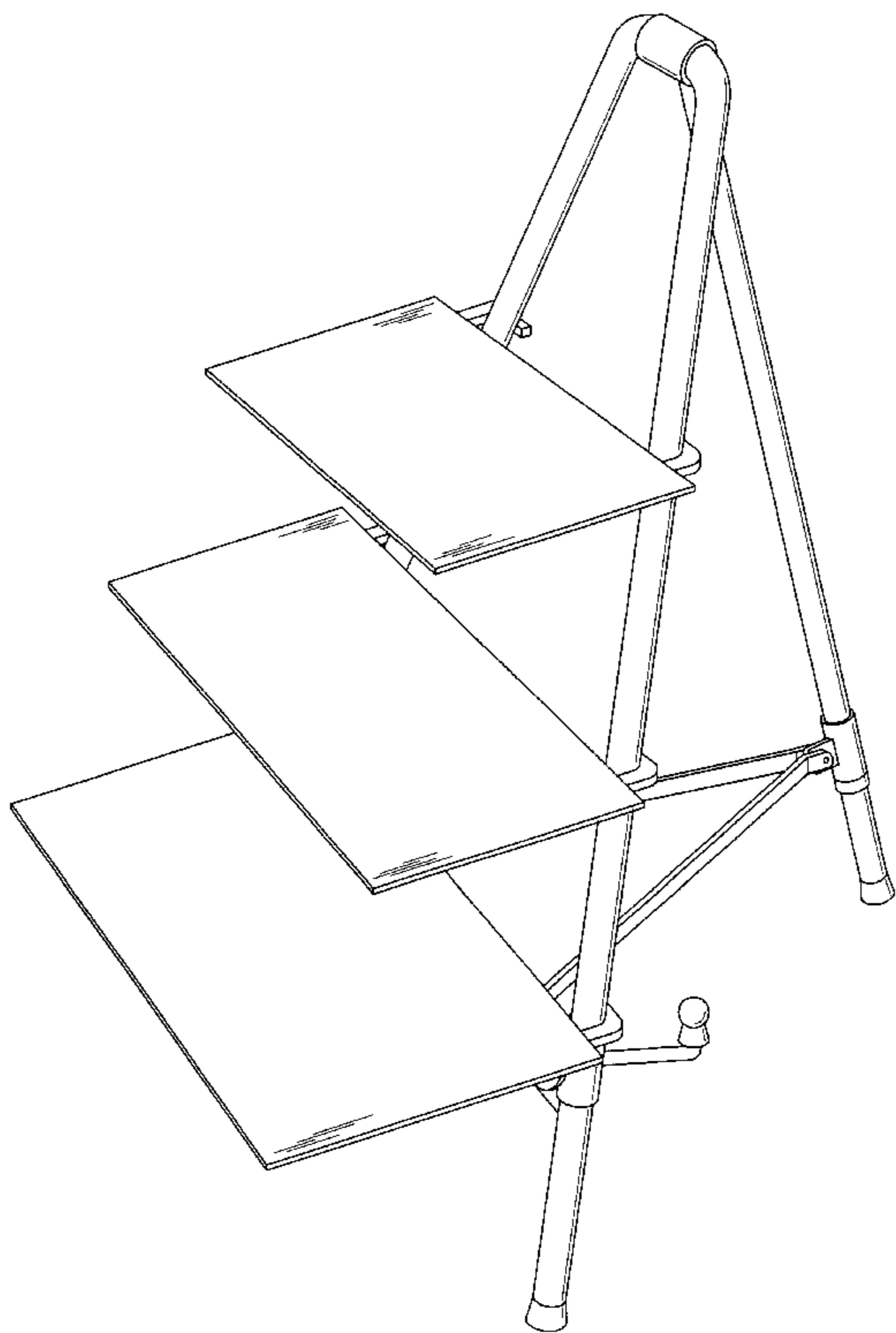
FIG. 5 is a rear view thereof;

FIG. 6 is a right-front perspective view thereof, shown with the upper two shelves removed and with the hooks shown in a different position.

FIG. 7 is a right-front perspective view thereof, shown with the upper shelf removed and with the hooks shown in a different position; and,

FIG. 8 is a right-front perspective view thereof, shown with the bottom and the upper shelves removed and with the hooks shown in a different position (the broken lines are for illustrative purposes only and form no part of the claimed design).

1 Claim, 8 Drawing Sheets



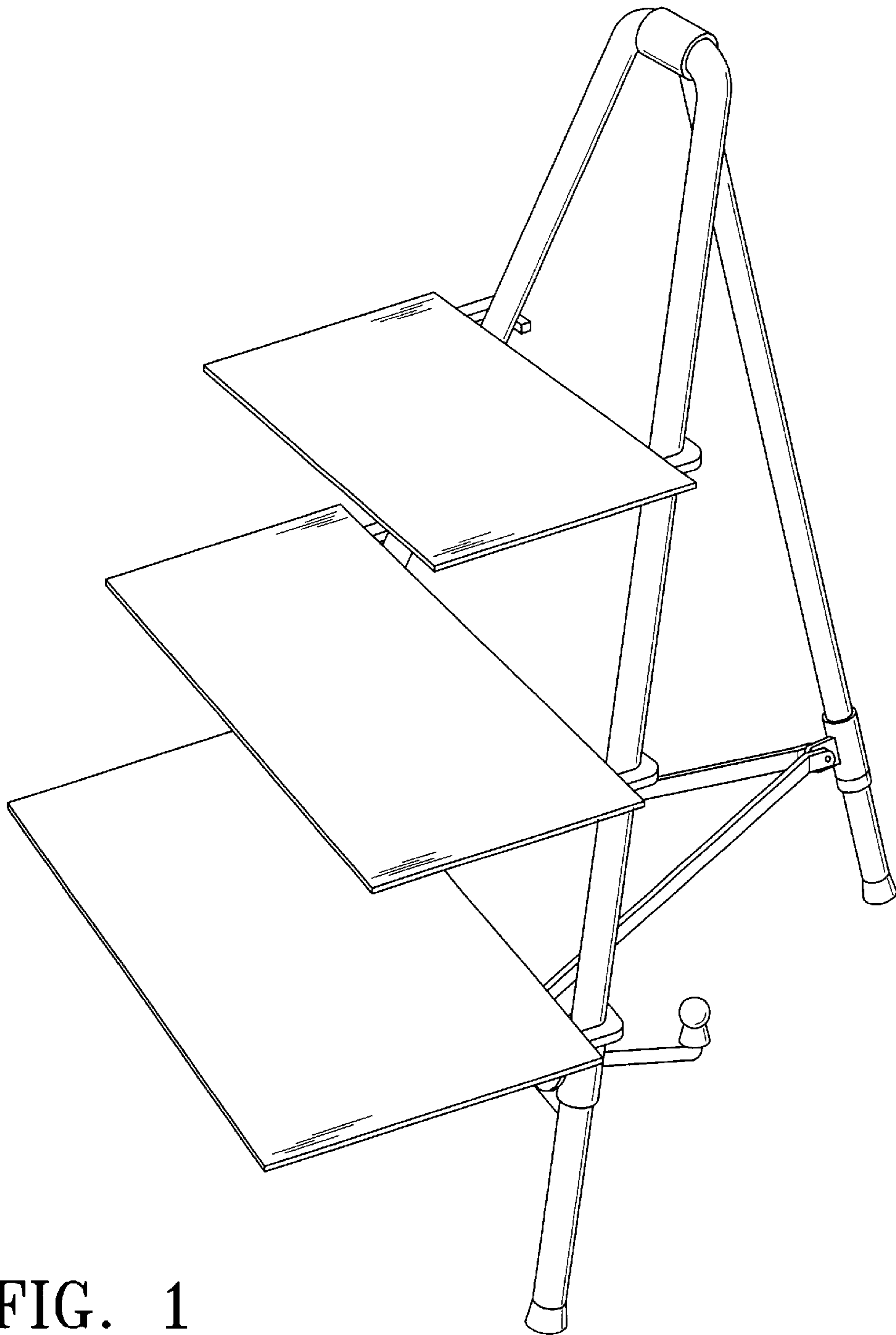


FIG. 1

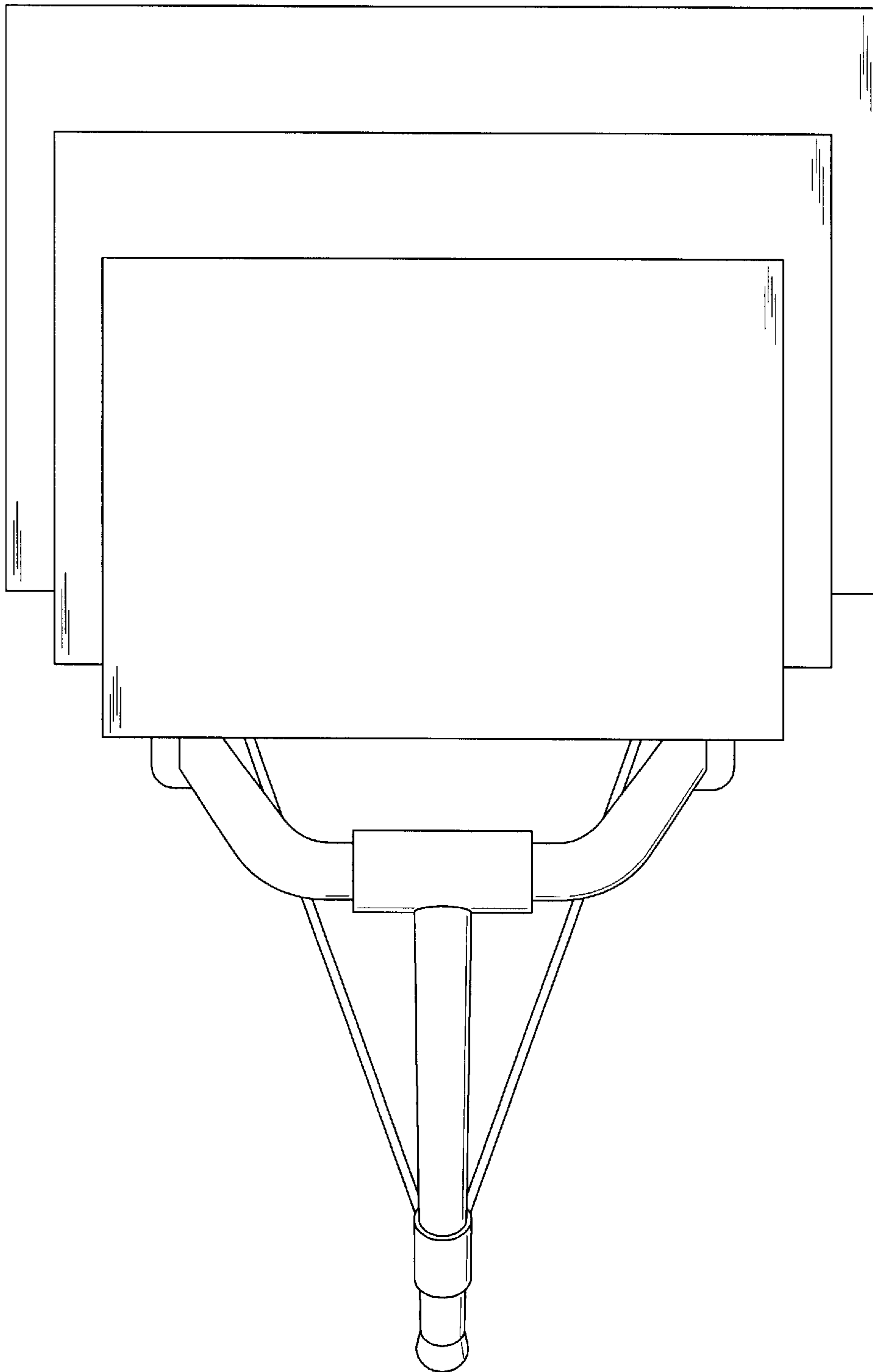


FIG. 2

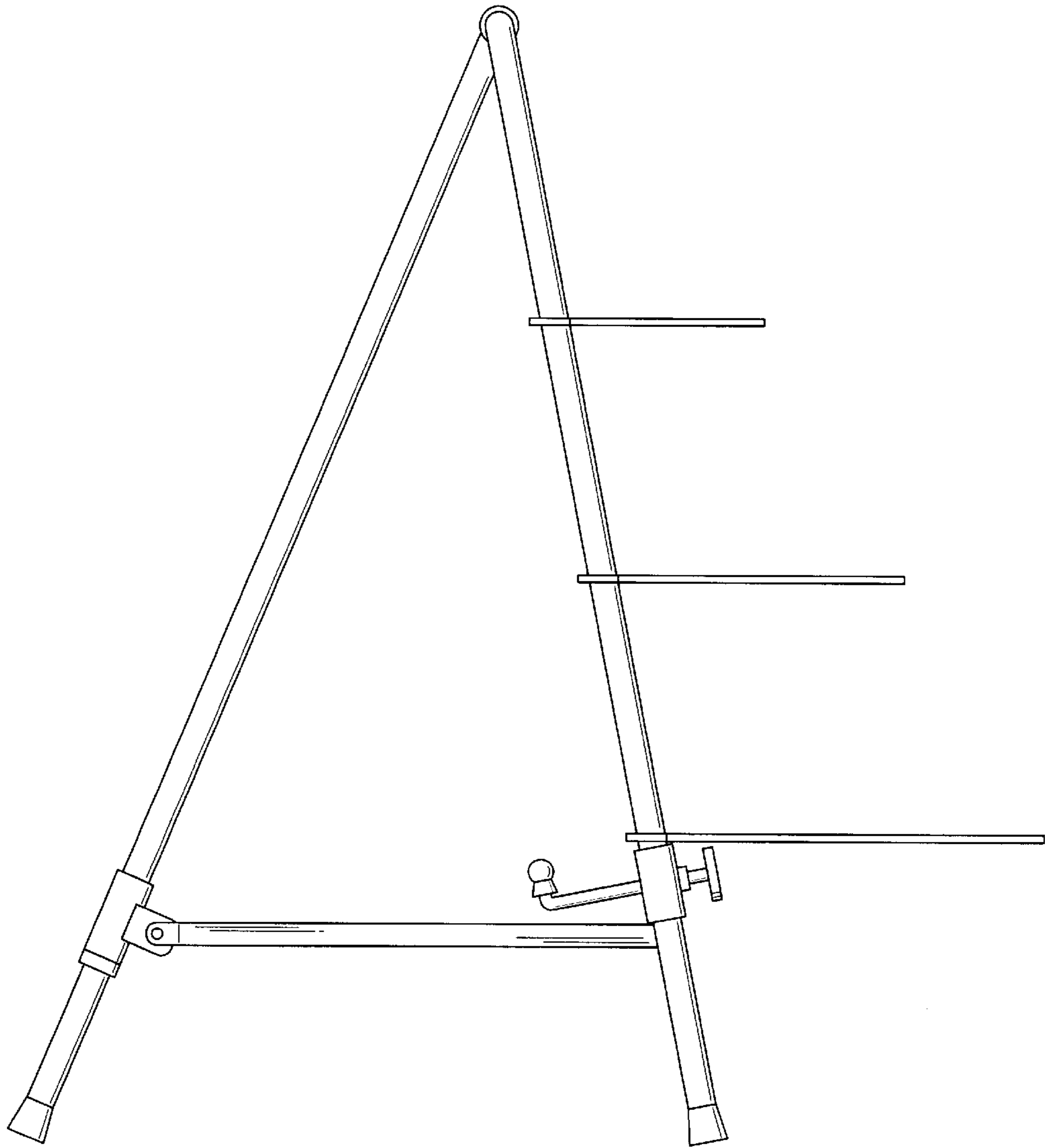


FIG. 3

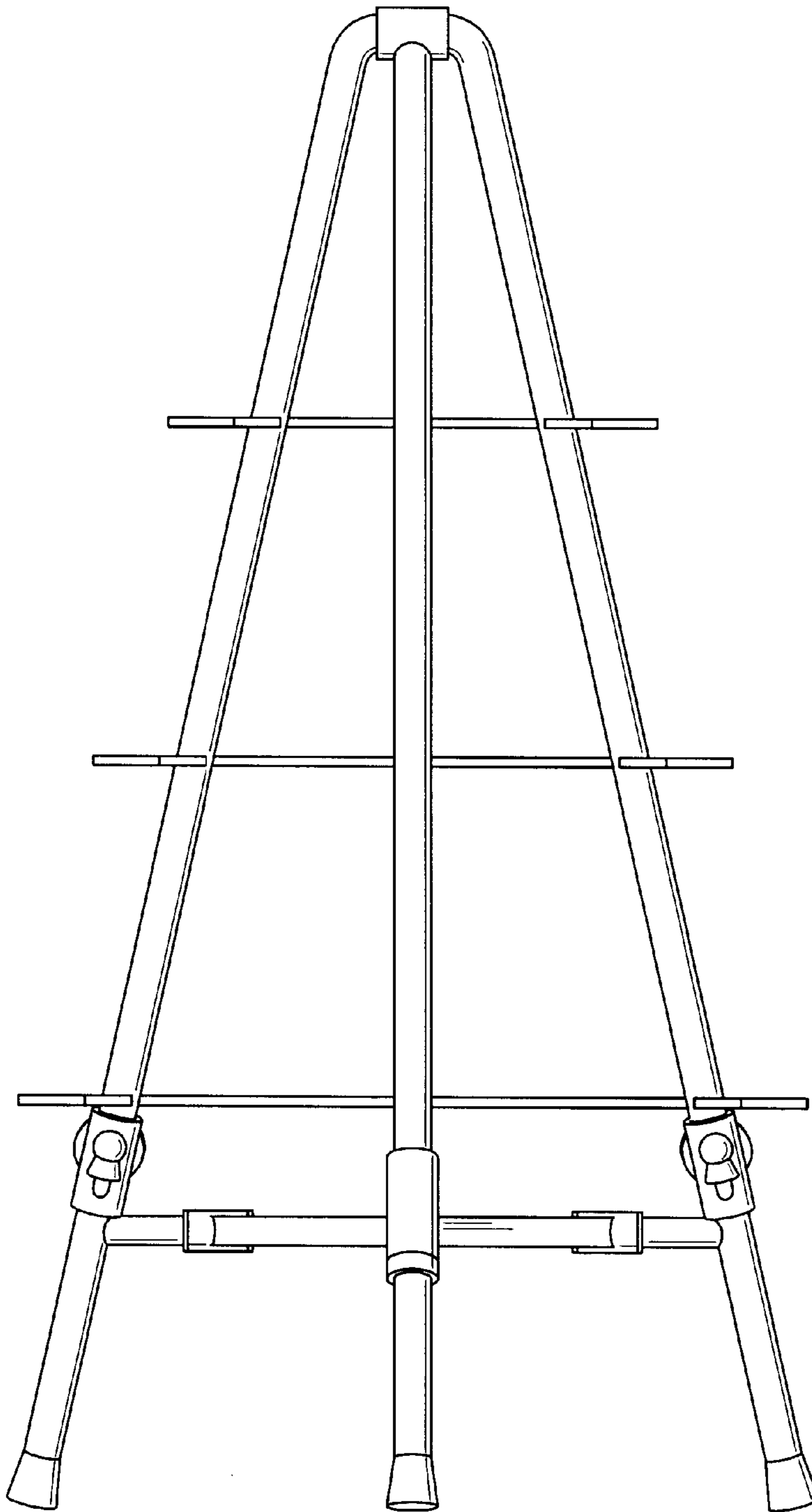


FIG. 4

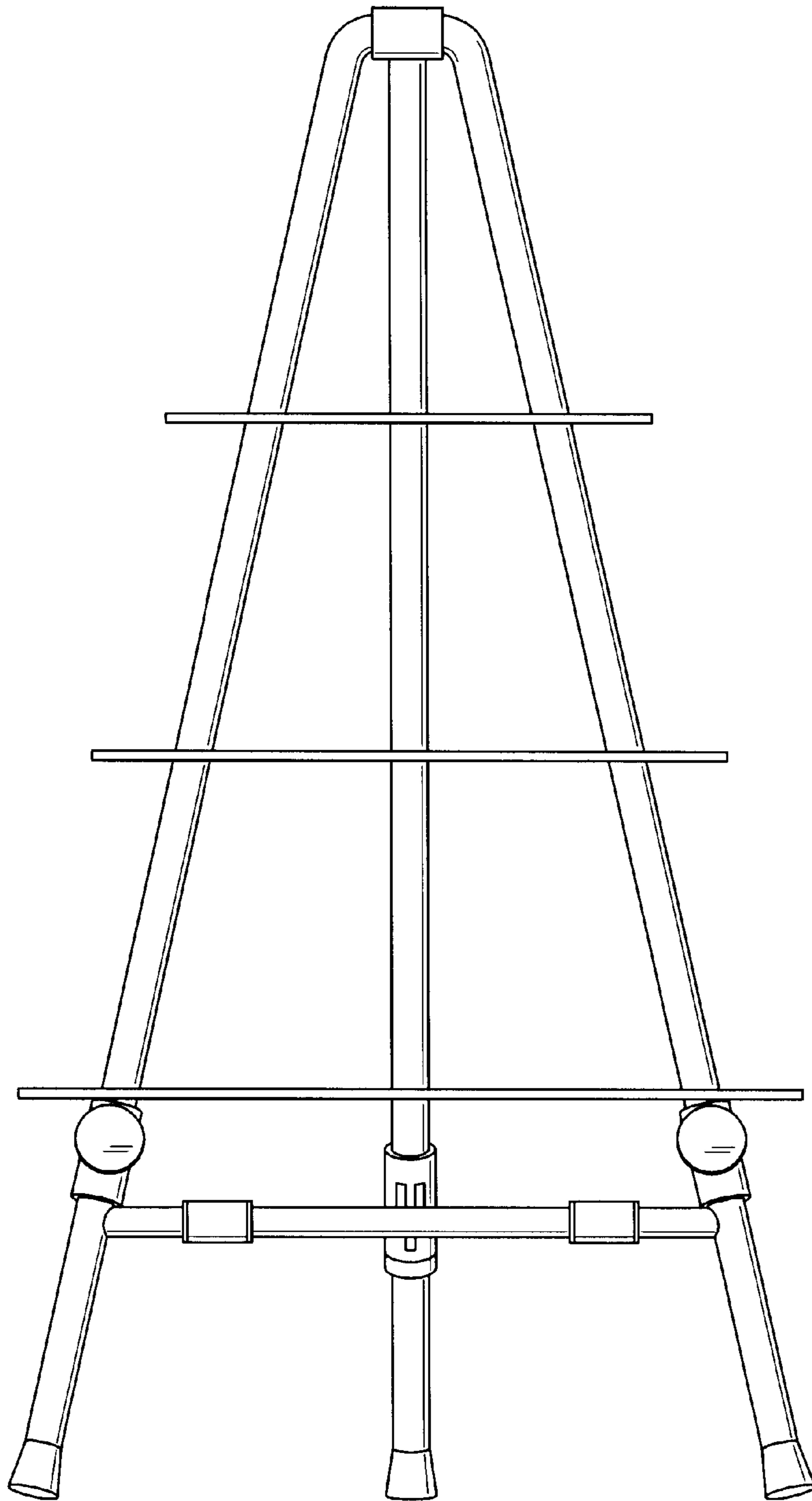


FIG. 5

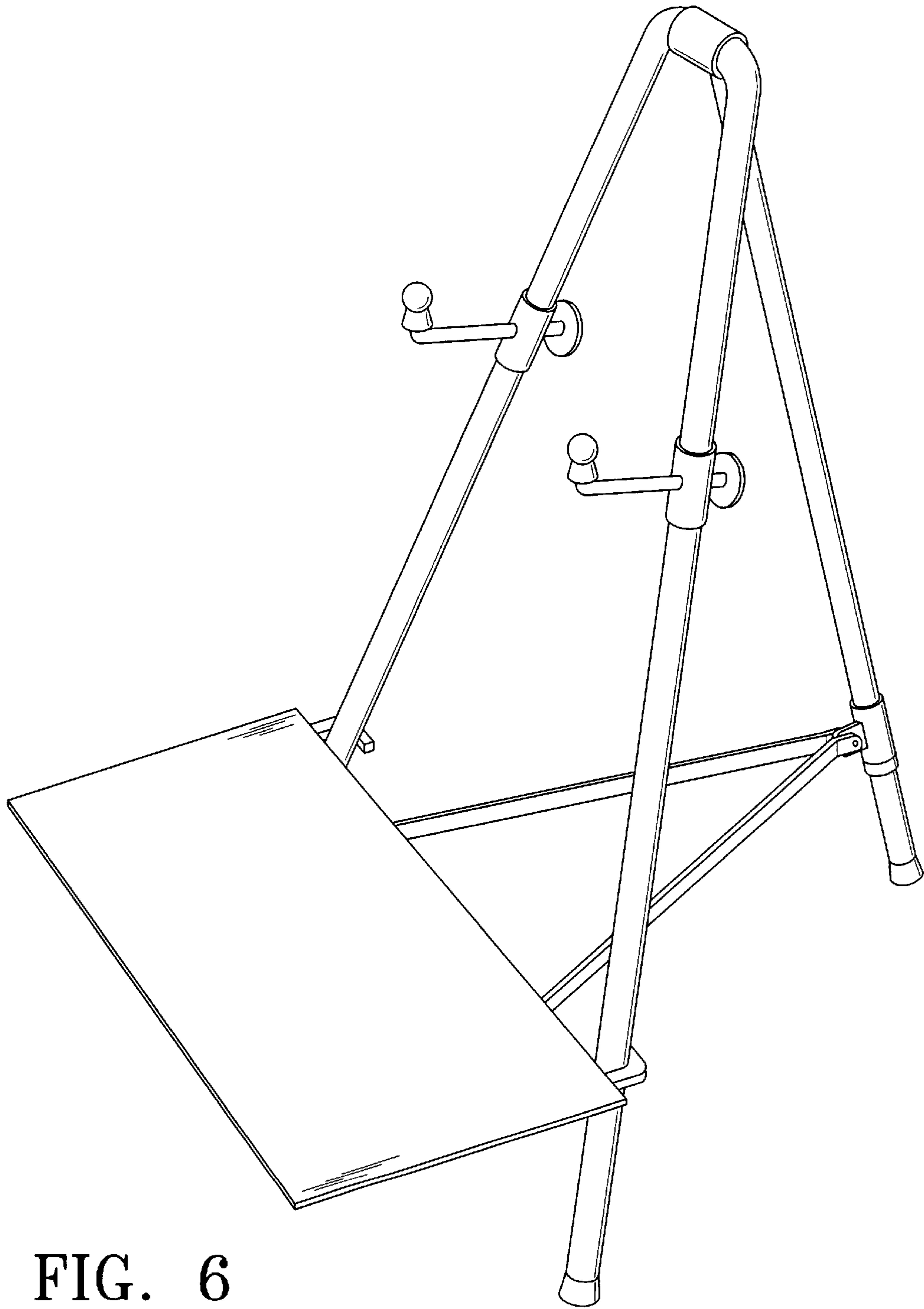


FIG. 6

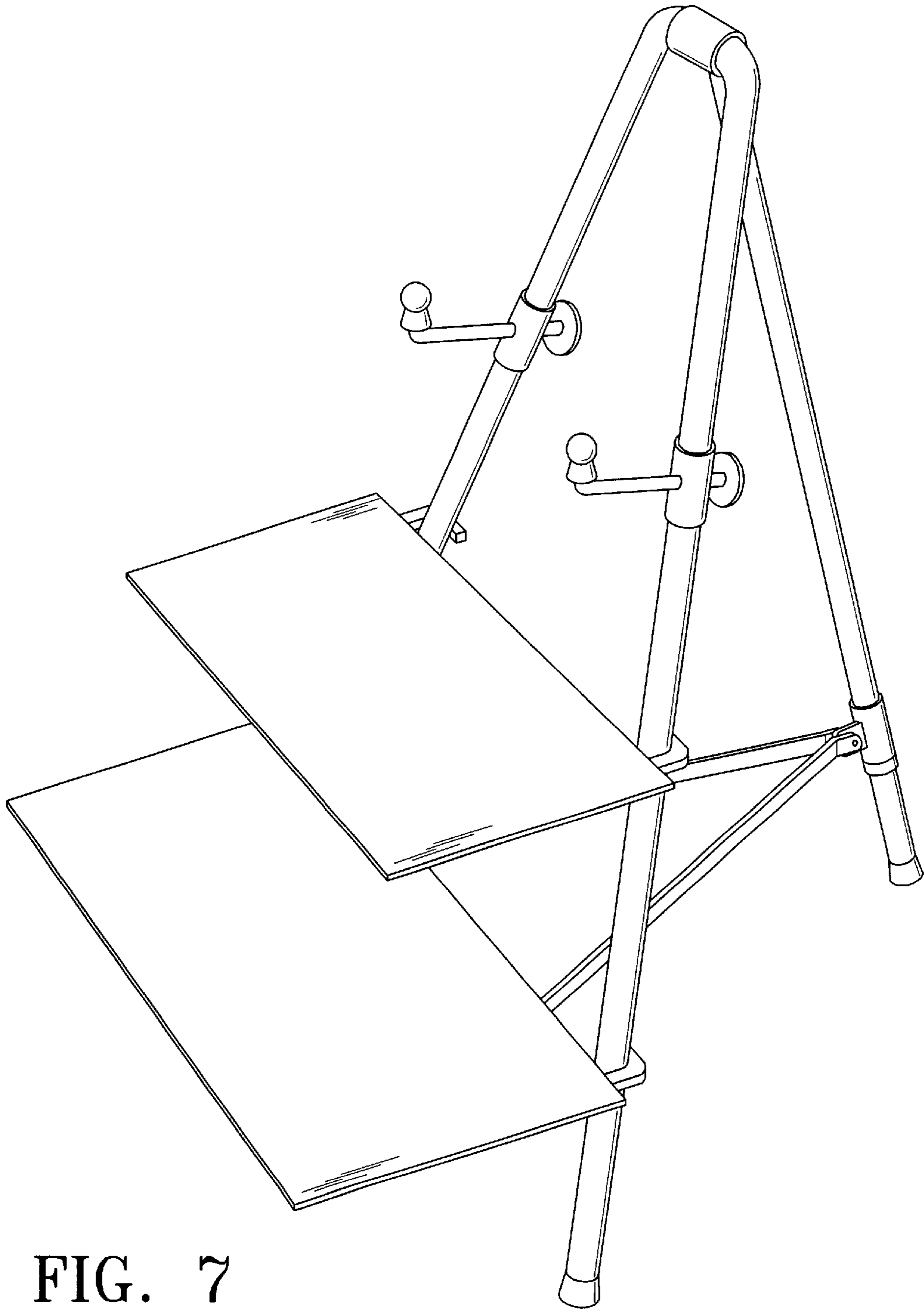


FIG. 7

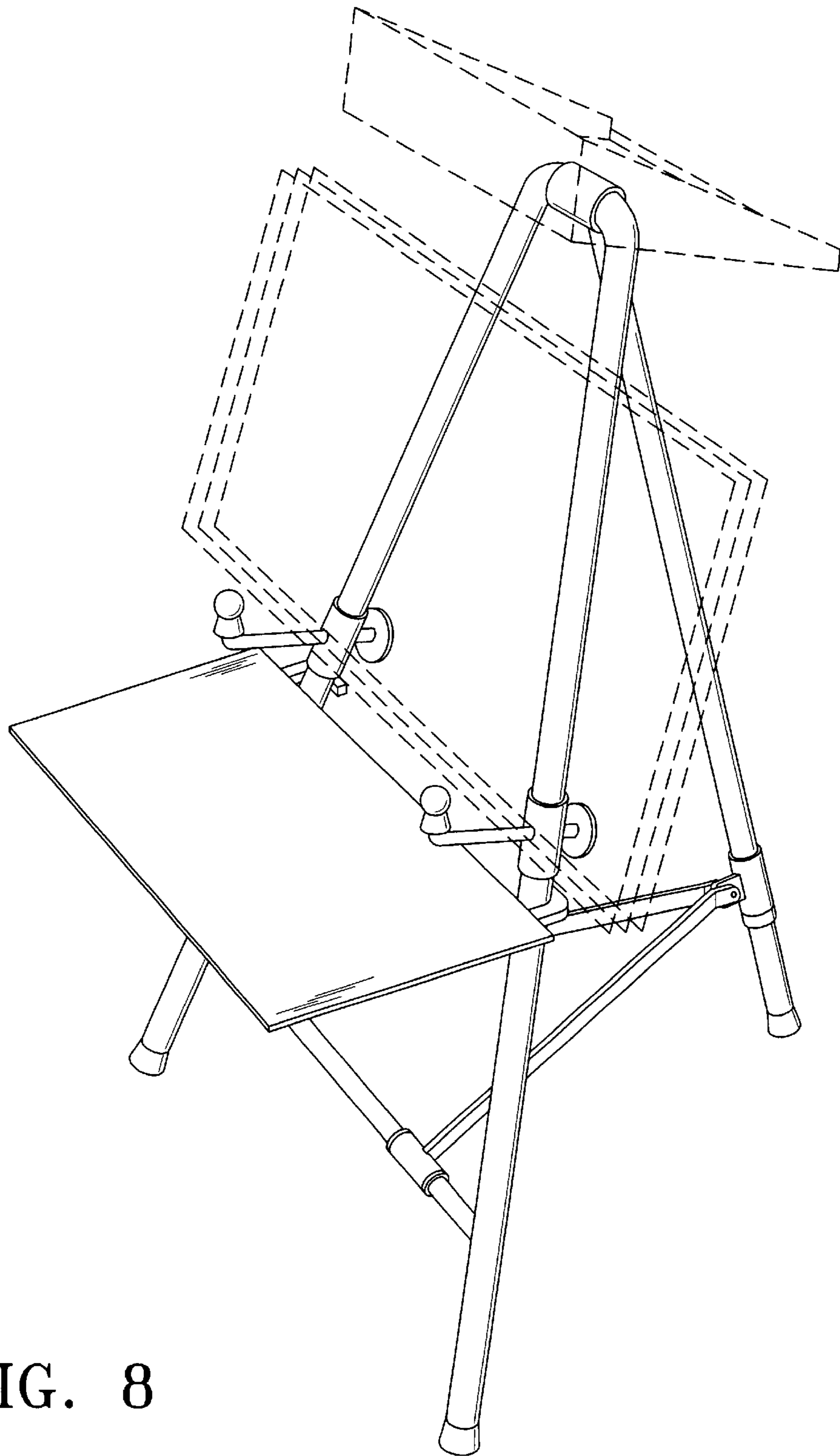


FIG. 8