



US00D485707S

(12) **United States Design Patent**
Alarcón

(10) **Patent No.:** **US D485,707 S**

(45) **Date of Patent:** **** Jan. 27, 2004**

(54) **DISPLAY STAND**

(75) **Inventor:** **Juan Jose Raul Zuñiga Alarcón,**
Saltillo (MX)

(73) **Assignee:** **Productos Industrializados de Saltillo,**
S. de R.L. de C.V., Coahuila (MX)

(**) **Term:** **14 Years**

(21) **Appl. No.:** **29/154,399**

(22) **Filed:** **Jan. 23, 2002**

(30) **Foreign Application Priority Data**

Aug. 24, 2001 (MX) 000982

(51) **LOC (7) Cl.** **06-06**

(52) **U.S. Cl.** **D6/467; D6/310**

(58) **Field of Search** D6/449, 466, 467,
D6/468, 469, 300, 309, 310, 311; 211/13.1,
85.26; 248/176.1; 40/711, 722, 735, 750,
754, 788

(56) **References Cited**

U.S. PATENT DOCUMENTS

588,636 A * 8/1897 Engstrom 40/754
1,204,920 A * 11/1916 Williamson 248/450
D92,575 S * 6/1934 Binkley D6/467

D266,195 S * 9/1982 Bennett D28/73
D311,103 S * 10/1990 Kirby D6/468
D386,008 S * 11/1997 Wong D6/310

* cited by examiner

Primary Examiner—Janice E. Seeger

(74) *Attorney, Agent, or Firm*—Bracewell & Patterson LLP

(57) **CLAIM**

The ornamental design for a display stand, as shown.

DESCRIPTION

FIG. 1 is a front elevation view of the display stand according to the present invention.

FIG. 2 is an isometric view of the display stand of FIG. 1. FIG. 3 is another isometric view of the display stand of FIG. 1.

FIG. 4 is another isometric view of the display stand of FIG. 1.

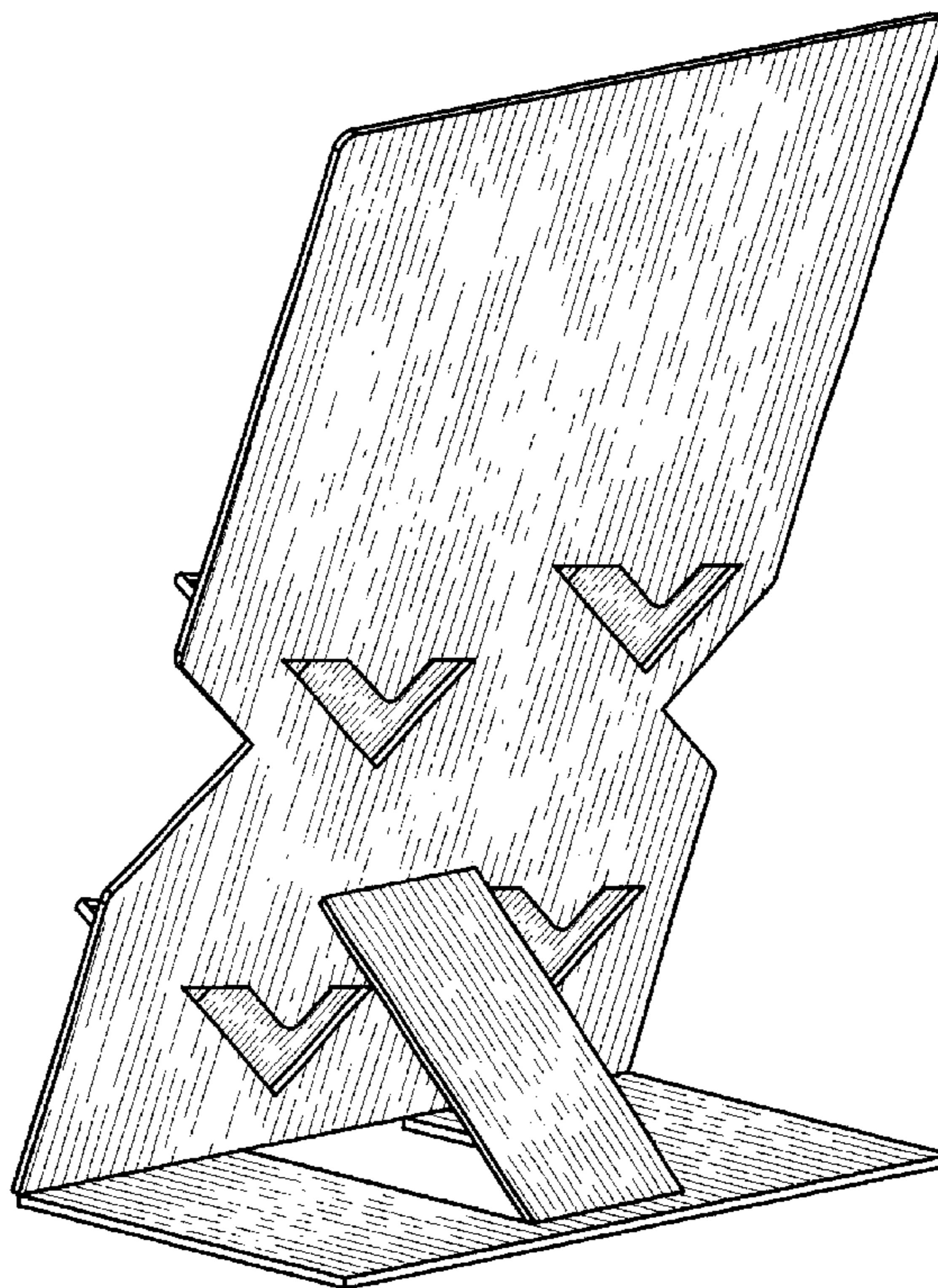
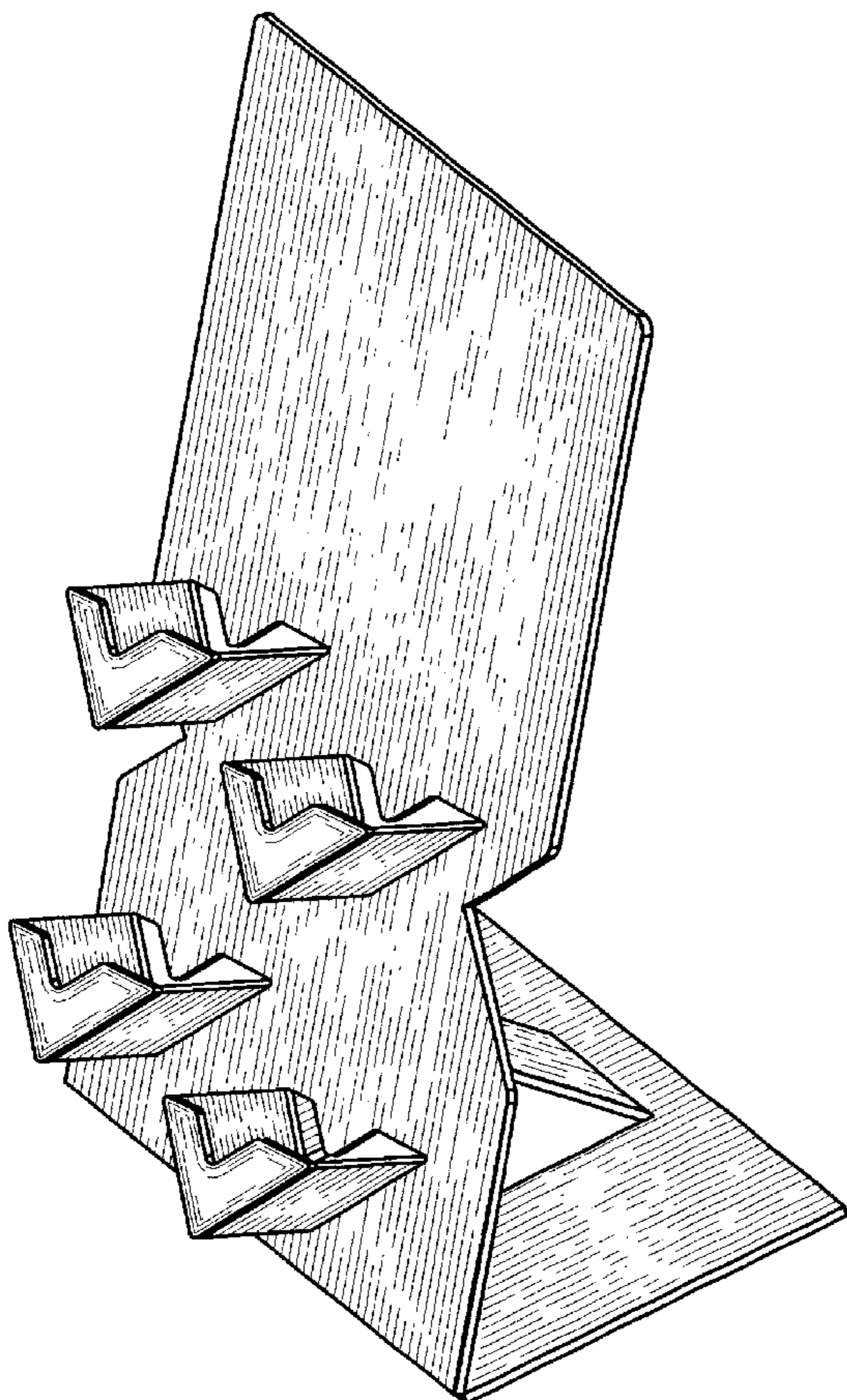
FIG. 5 is a right side elevation view of the display stand of FIG. 1.

FIG. 6 is a left side elevation view of the display stand of FIG. 1.

FIG. 7 is a top plan view of the display stand of FIG. 1.

FIG. 8 is a bottom view of the display stand of FIG. 1; and, FIG. 9 is a rear elevation view of the display stand of FIG. 1.

1 Claim, 5 Drawing Sheets



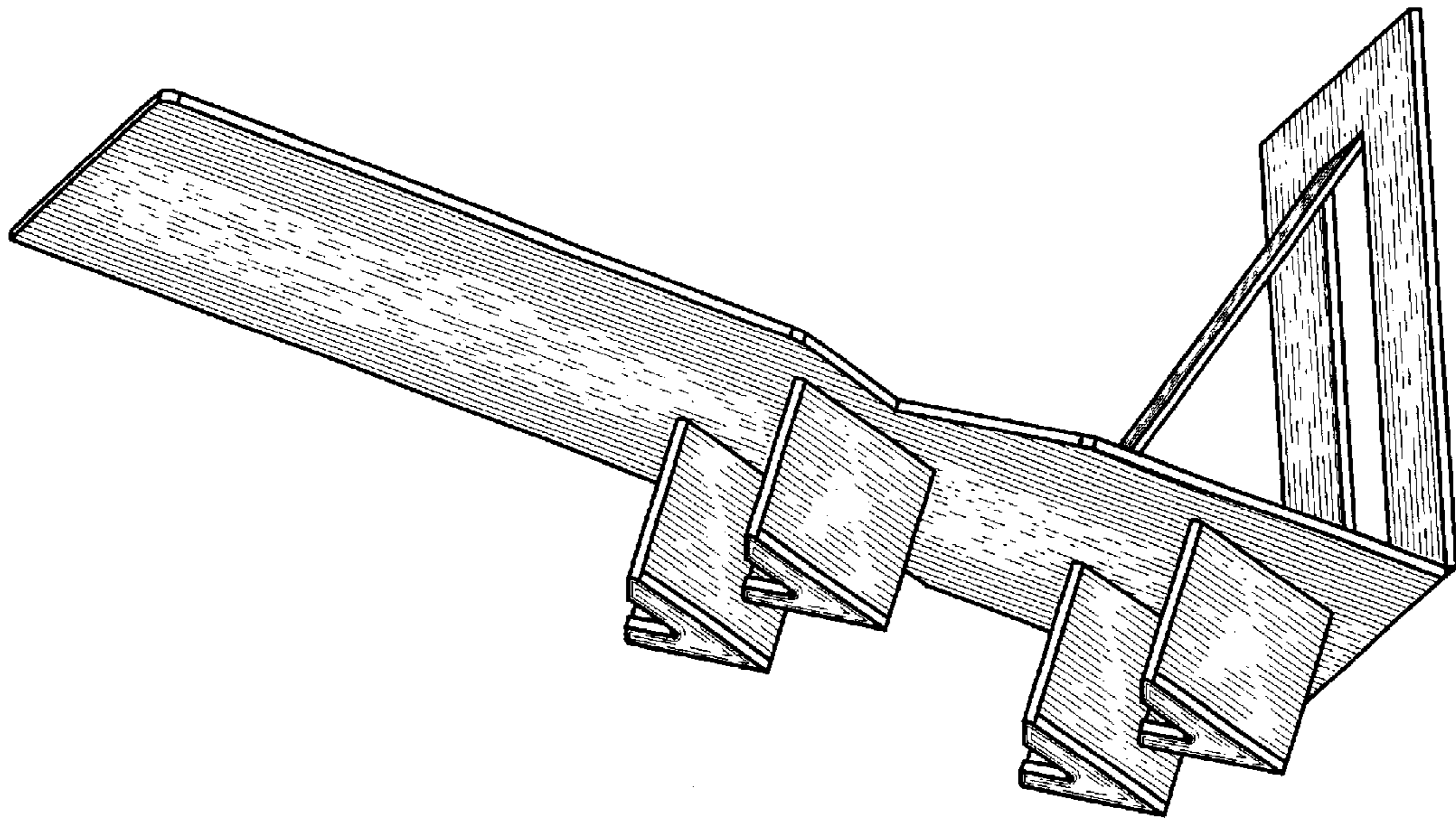


FIG. 2

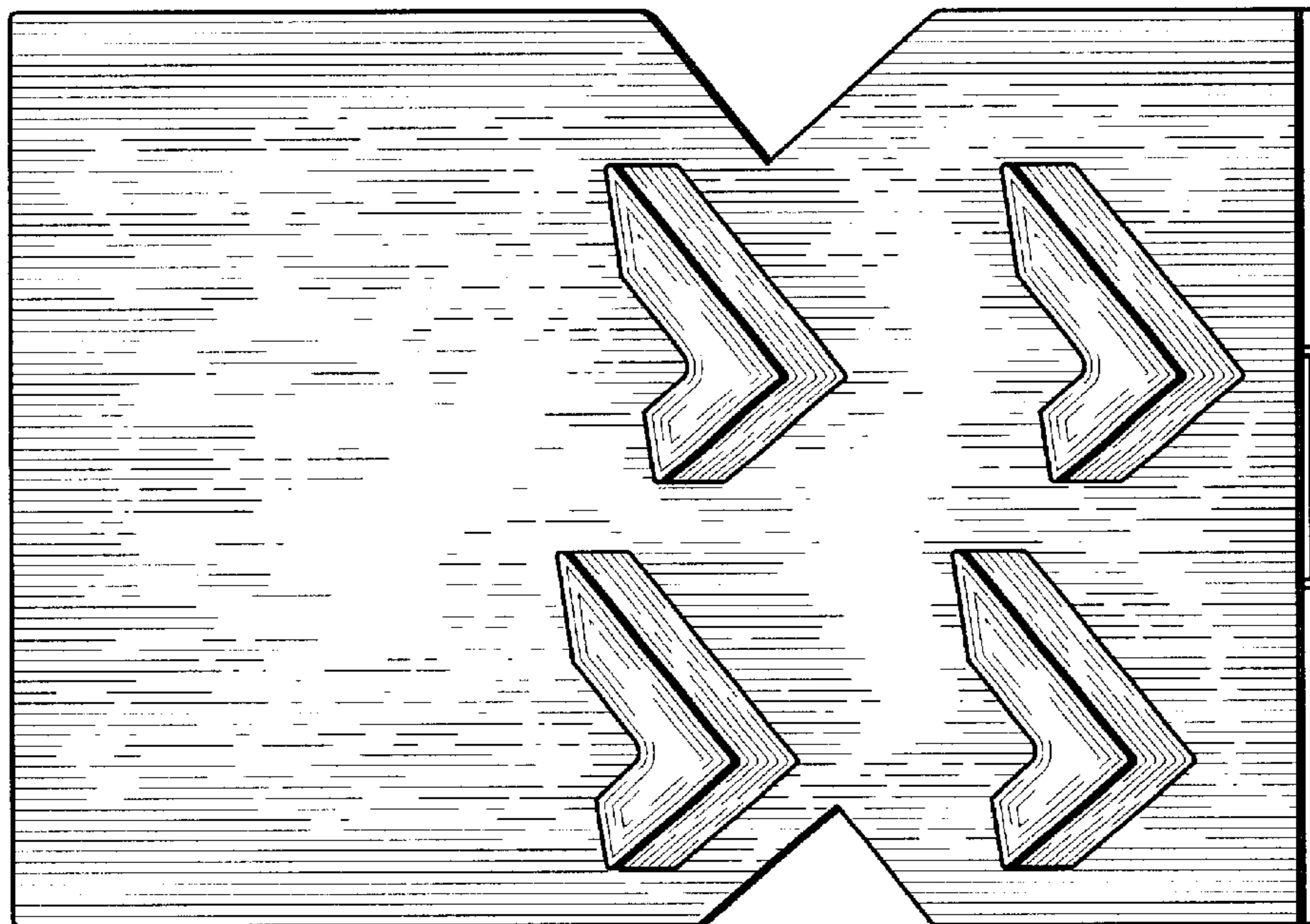


FIG. 1

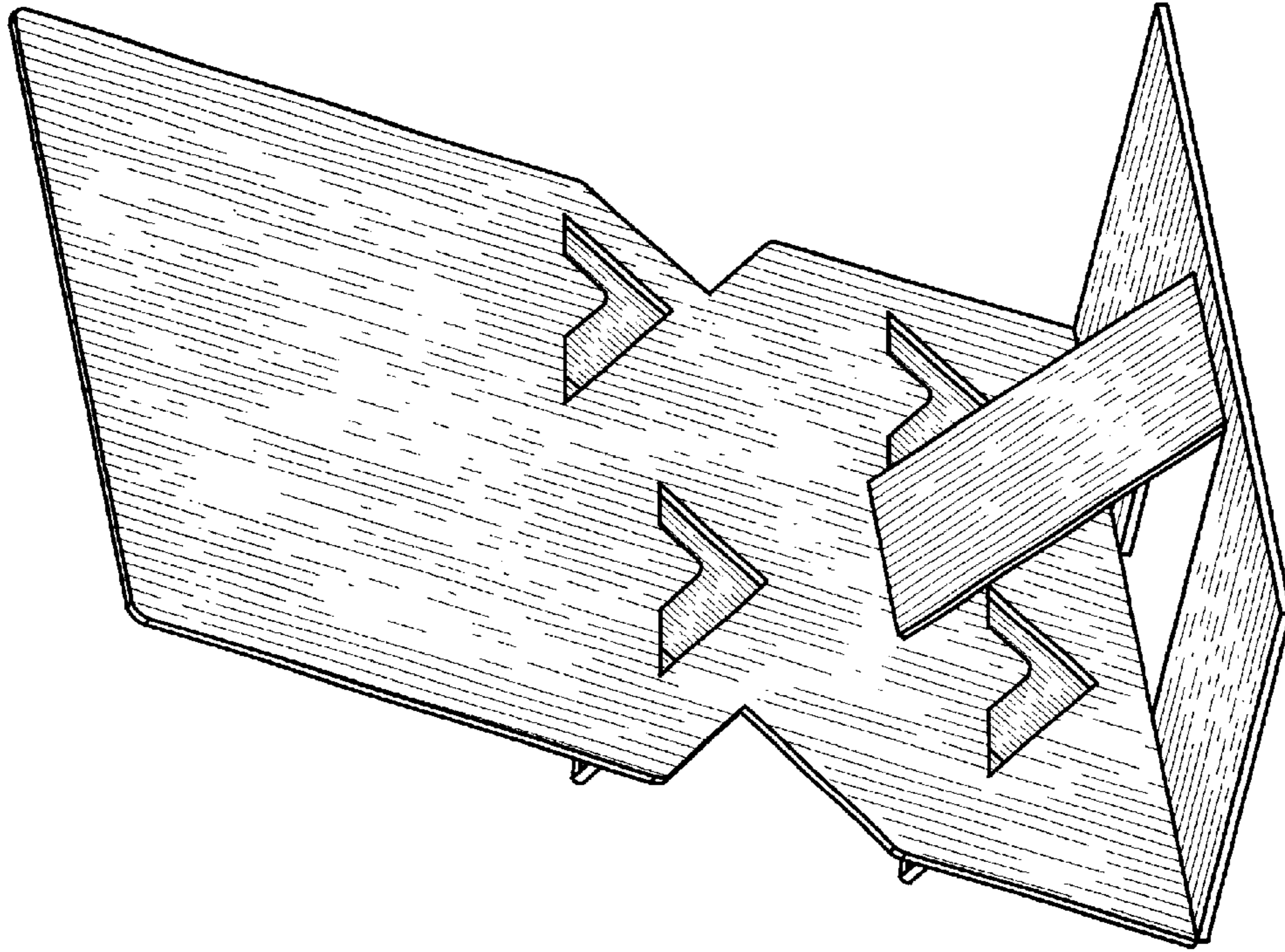


FIG. 4

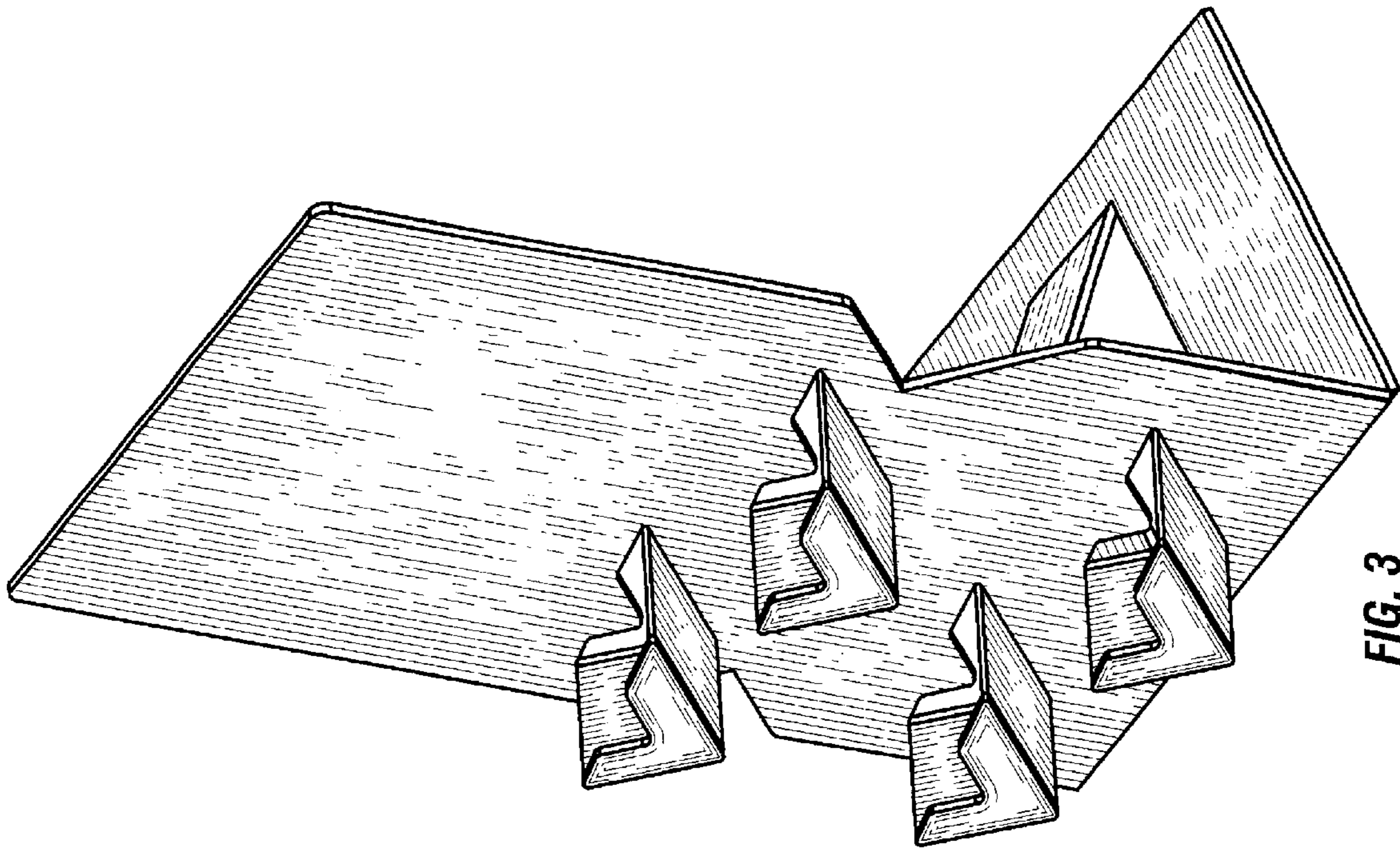


FIG. 3

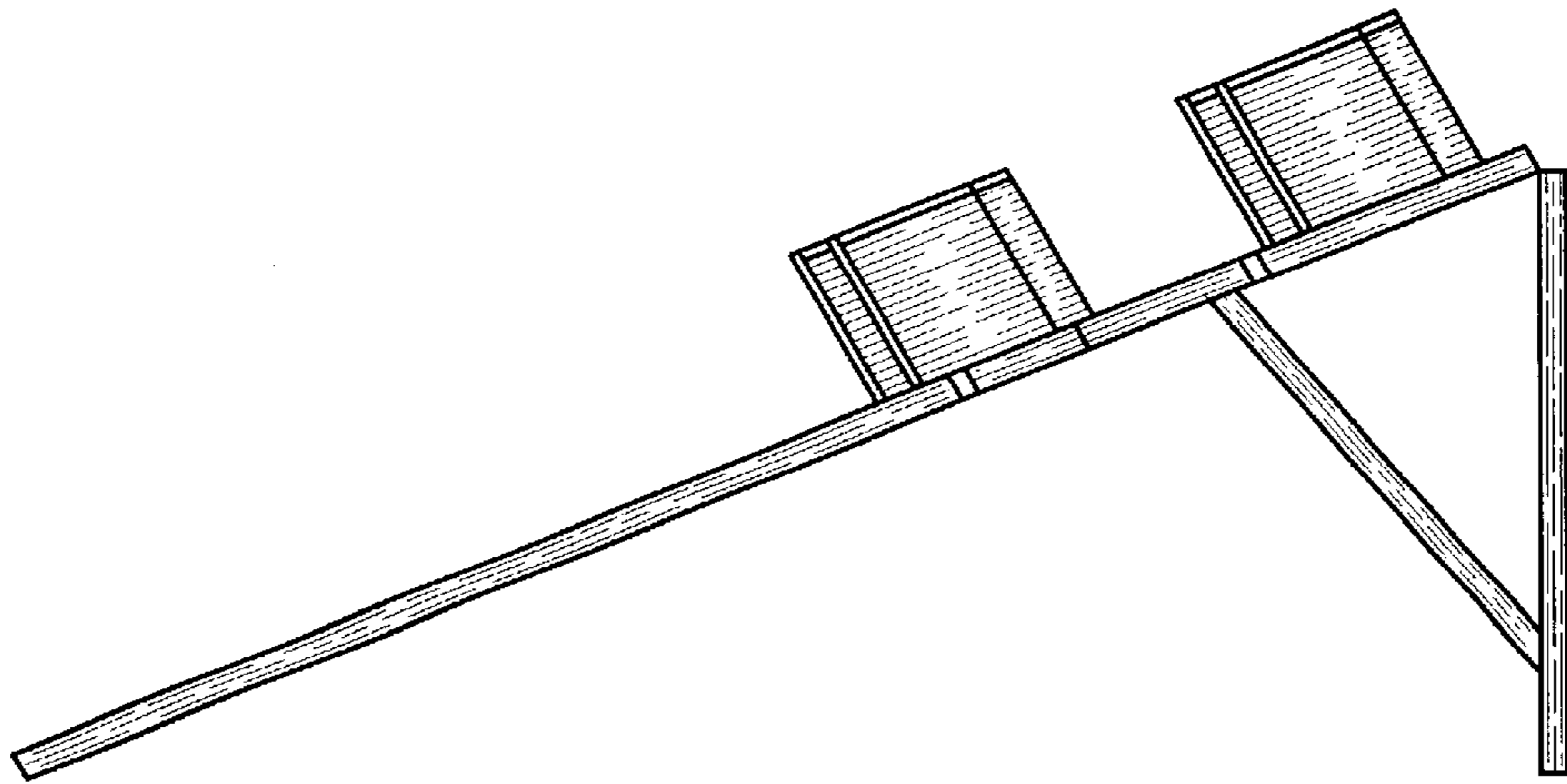


FIG. 6

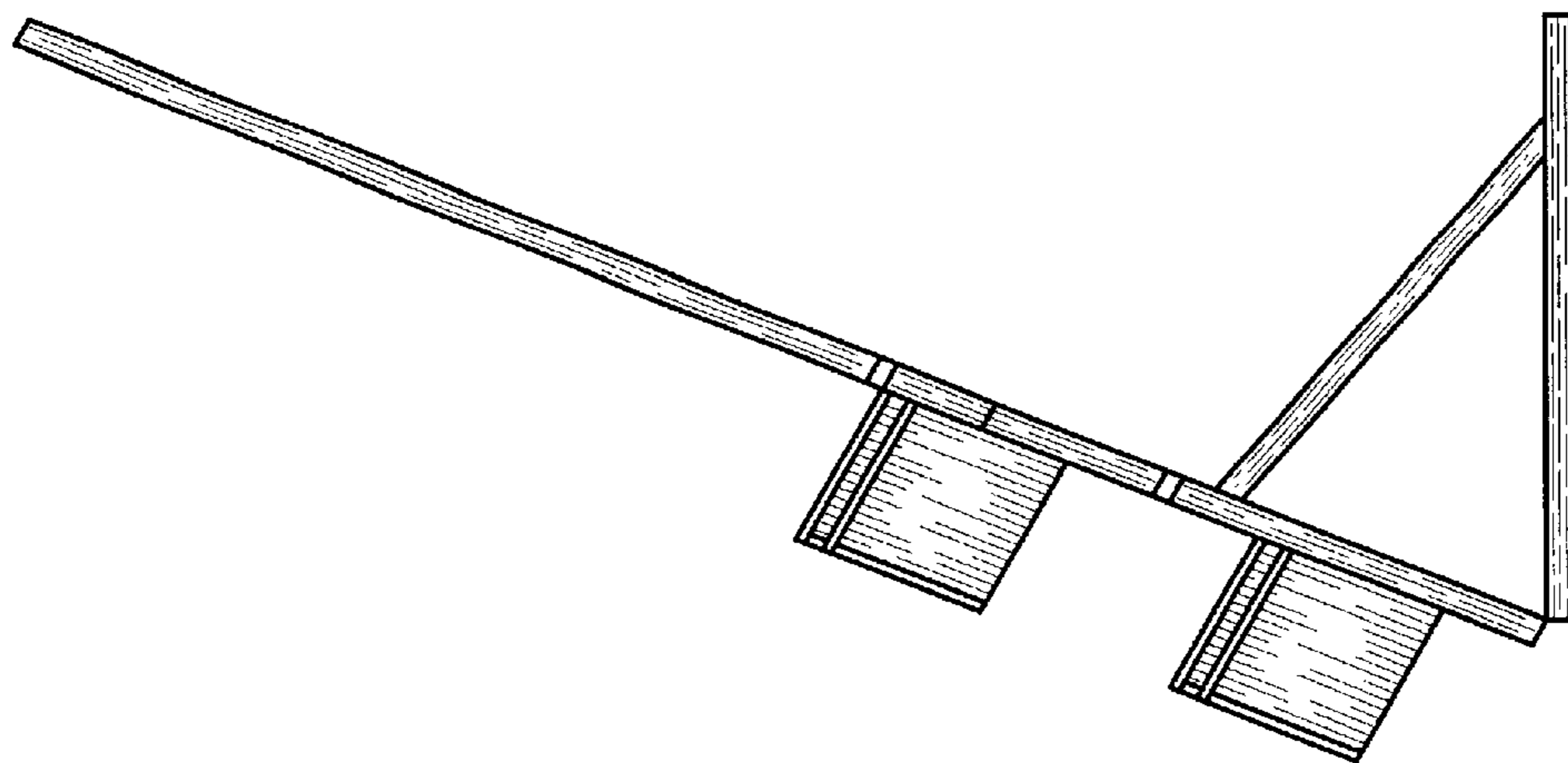


FIG. 5

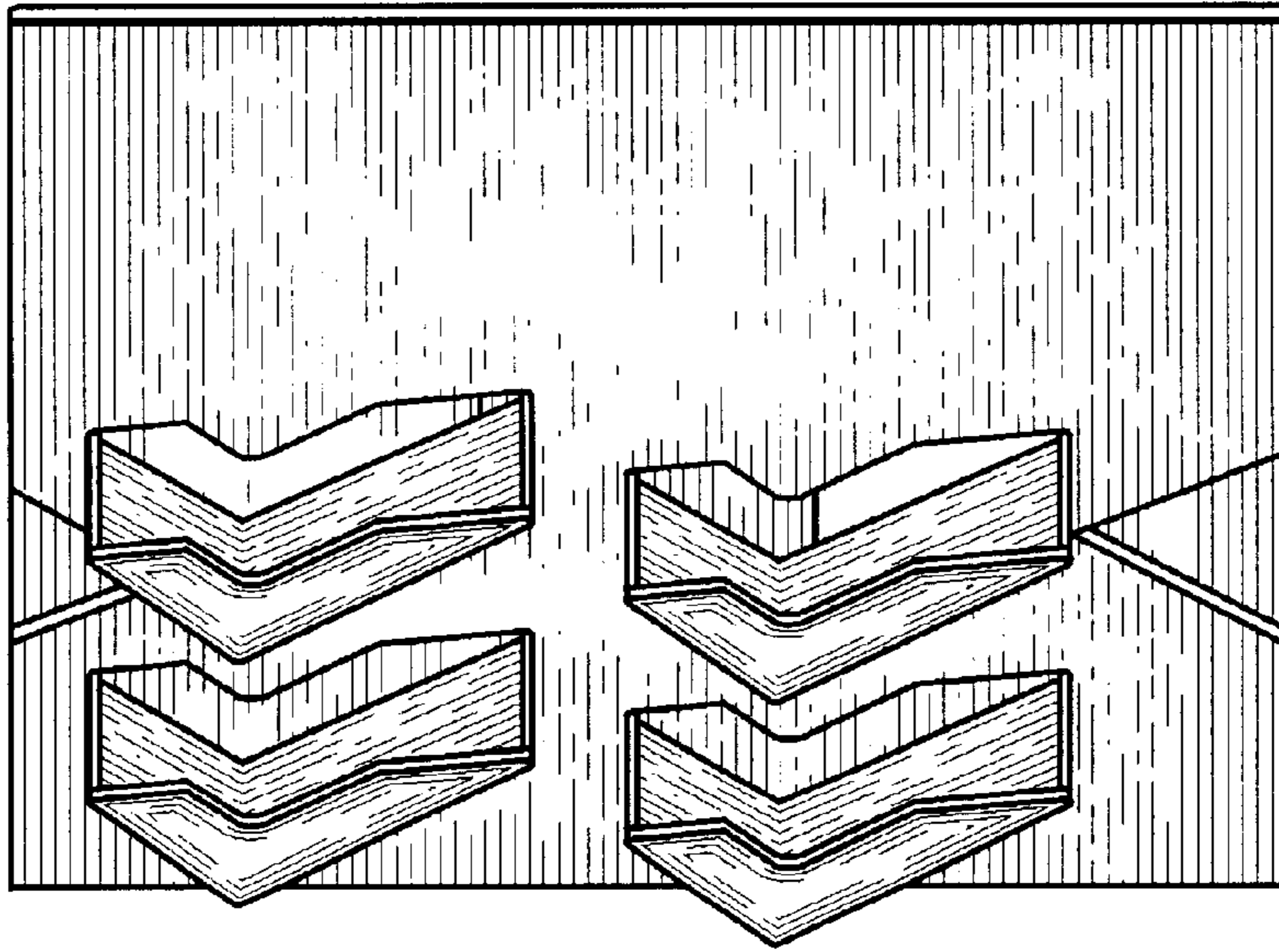


FIG. 7

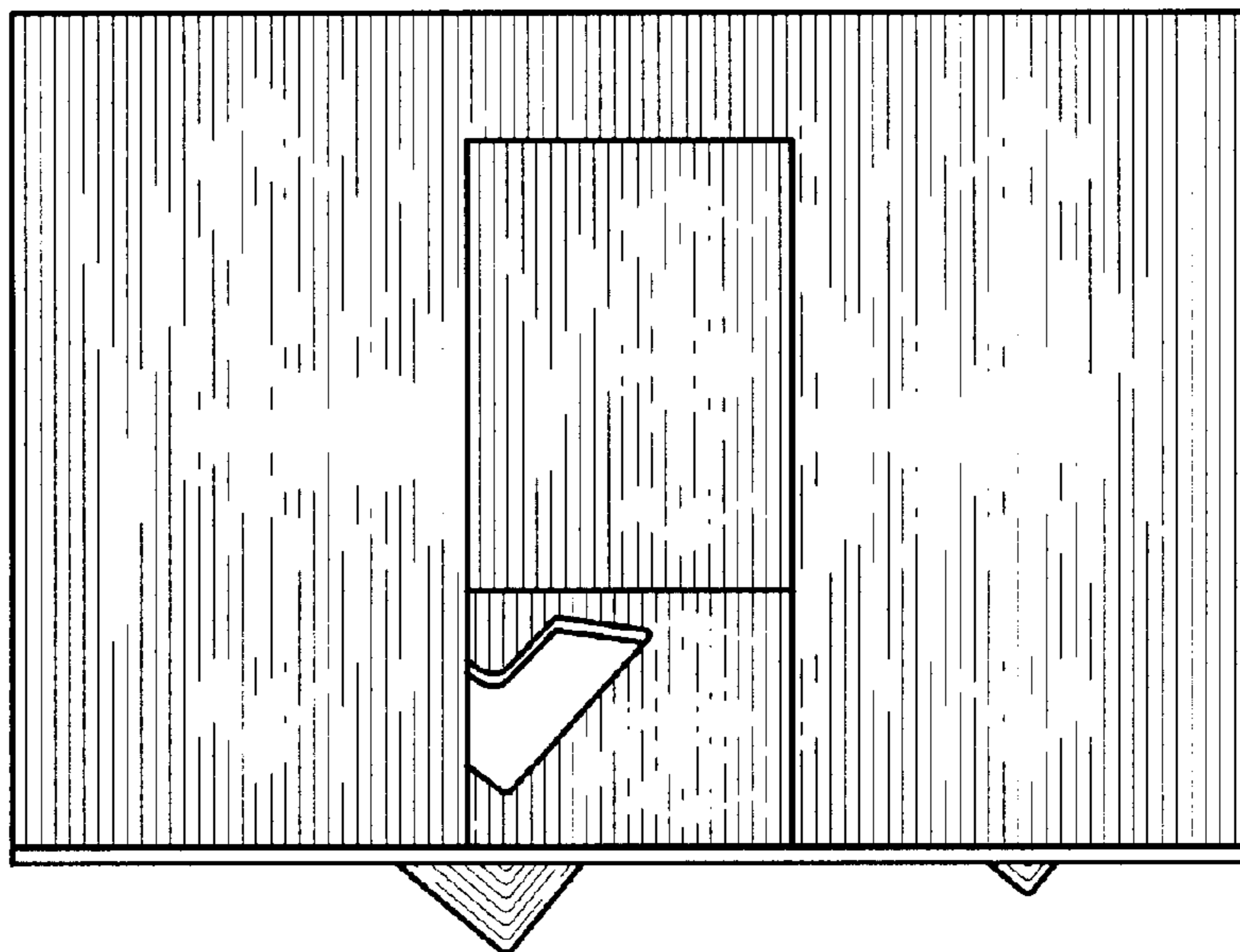


FIG. 8

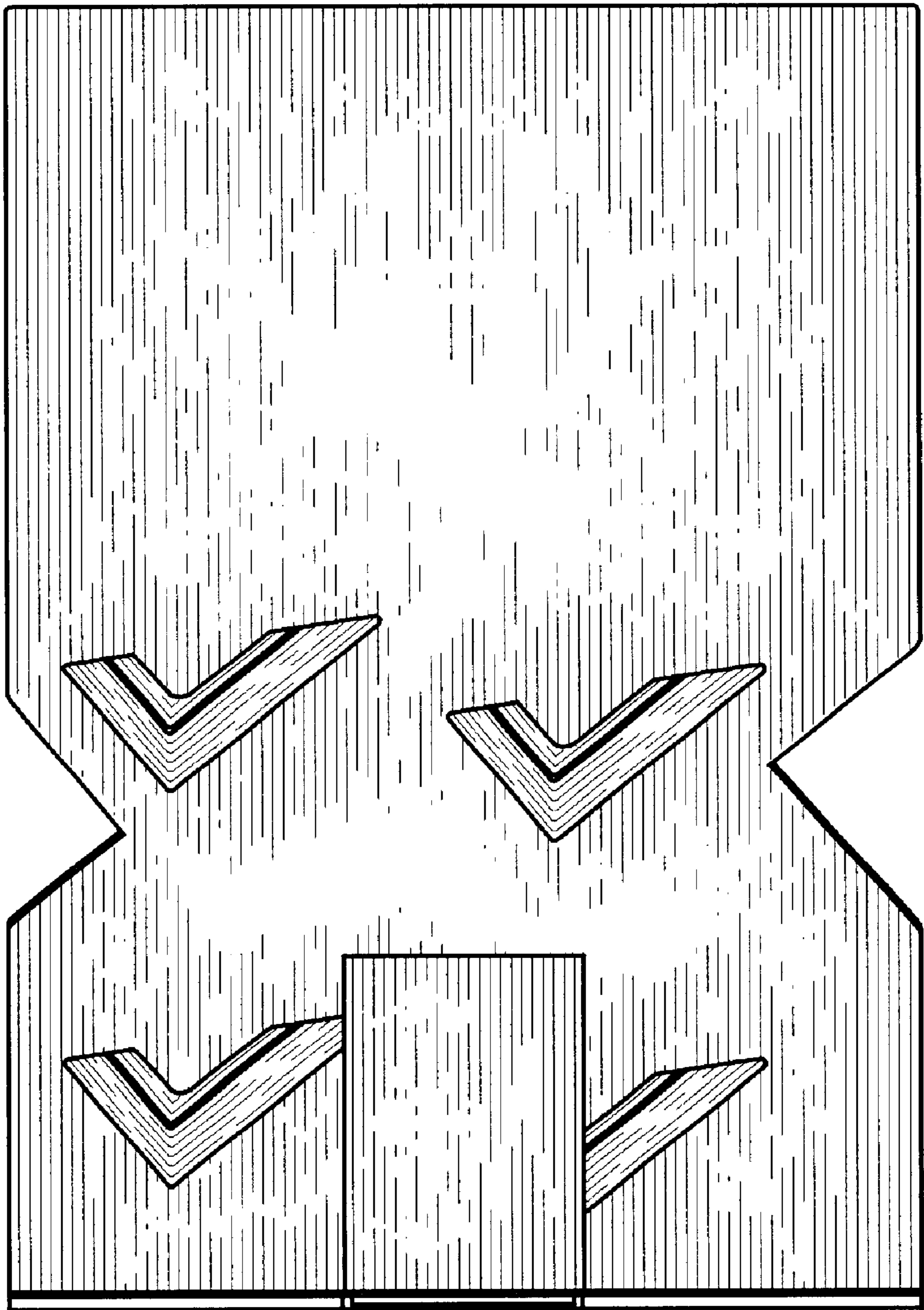


FIG. 9