



US00D485706S

(12) **United States Design Patent**
O'Connell Cooper et al.

(10) **Patent No.:** **US D485,706 S**

(45) **Date of Patent:** **** Jan. 27, 2004**

(54) **STAND**

D462,539 S * 9/2002 Segall D6/411
6,520,354 B1 * 2/2003 Skvorecz 211/181.1

(75) Inventors: **Sheila O'Connell Cooper**, Addison, IL (US); **Nancy Fino**, Addison, IL (US); **Andy Wodziak**, Bedford Park, IL (US)

OTHER PUBLICATIONS

(73) Assignee: **Columbia Insurance Company**, Omaha, NE (US)

Making A Home, Housewares Collection from Betty Crocker, 2002, p. 50.

(**) Term: **14 Years**

Southern Living at Home, catalog, Spring 2002, pp. 14–15.
Princess House catalog, Fall/Winter 2002, excerpts (6 pages).

(21) Appl. No.: **29/173,868**

Crate and Barrel catalog, undated, p. 10.

(22) Filed: **Jan. 8, 2003**

Pages from crateandbarrel.com (undated) (2 pages).

(51) **LOC (7) Cl.** **06-04**

* cited by examiner

(52) **U.S. Cl.** **D6/462; D7/600.1; D7/388; D7/409**

Primary Examiner—Cathron C. Brooks

(58) **Field of Search** D6/409–415, 449, D6/454–458, 461–469, 473–475, 509–511; D7/600.1, 388, 409; 108/103, 105, 139; 211/41.2, 41.7, 42, 51, 70, 85.1, 85.2, 88.3, 88.01, 126.15, 126.9, 131.1, 133.2, 163, 181.1, 201, 205

(74) *Attorney, Agent, or Firm*—Neal, Gerber & Eisenberg, LLP

(57) **CLAIM**

(56) **References Cited**

The ornamental design for a stand, as shown.

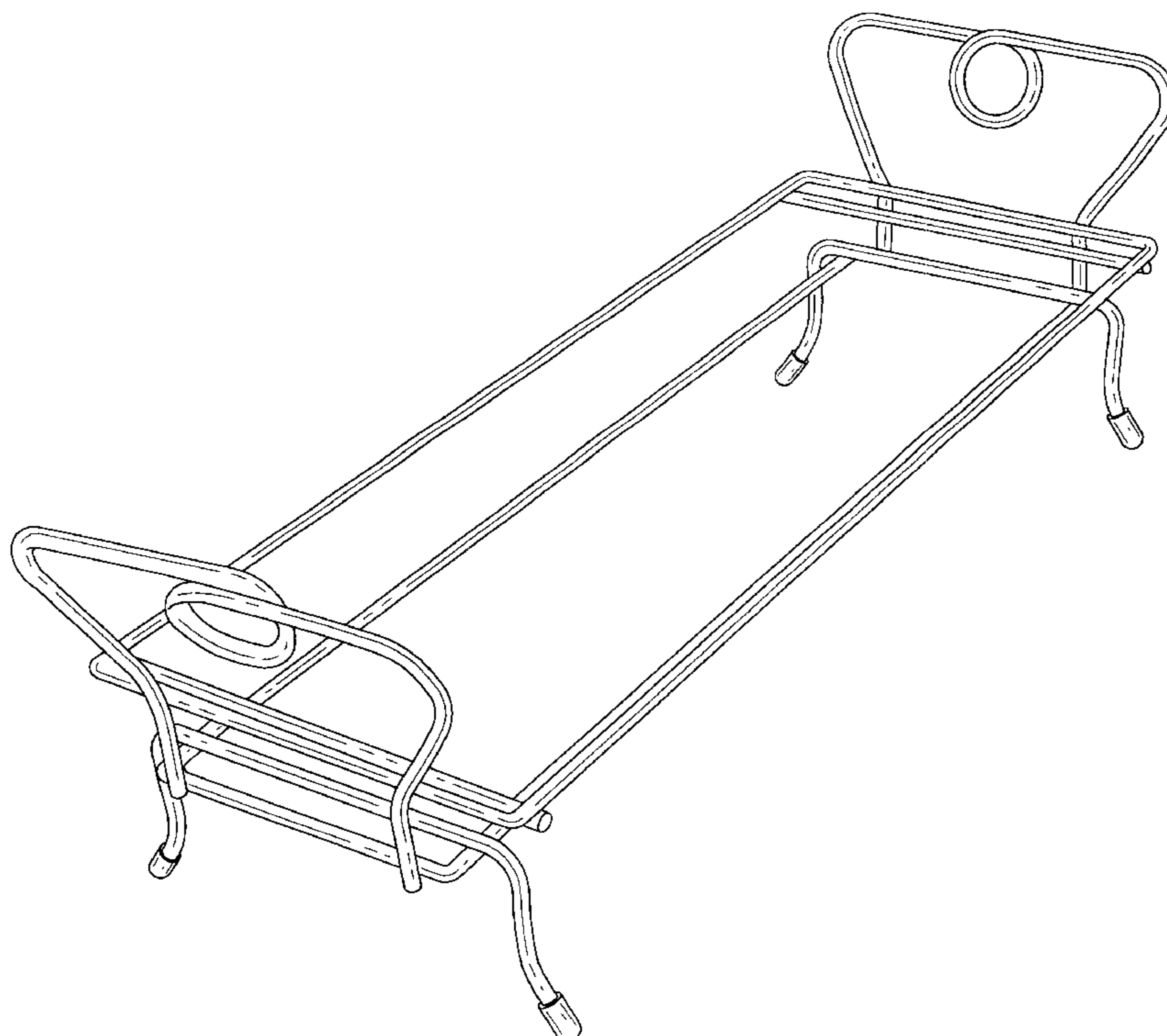
DESCRIPTION

U.S. PATENT DOCUMENTS

D181,164 S	*	10/1957	Remstein	D6/458
D181,366 S	*	11/1957	Miller	D6/462
D280,871 S	*	10/1985	Provan	D6/462
D324,787 S	*	3/1992	Evans	D6/411
D421,531 S	*	3/2000	Haas	D6/411
D439,077 S	*	3/2001	Knauf	D6/462

FIG. 1 is top plan view of a stand embodying the inventive aspects of the present invention; FIG. 2 is a bottom plan view of the stand shown in FIG. 1; FIG. 3 is a front elevational view of the stand shown in FIG. 1, the rear elevational view being identical; and FIG. 4 is a left side view of the stand shown in FIG. 1, the right side view being identical; and, FIG. 5 is a perspective view of the stand shown in FIG. 1.

1 Claim, 3 Drawing Sheets



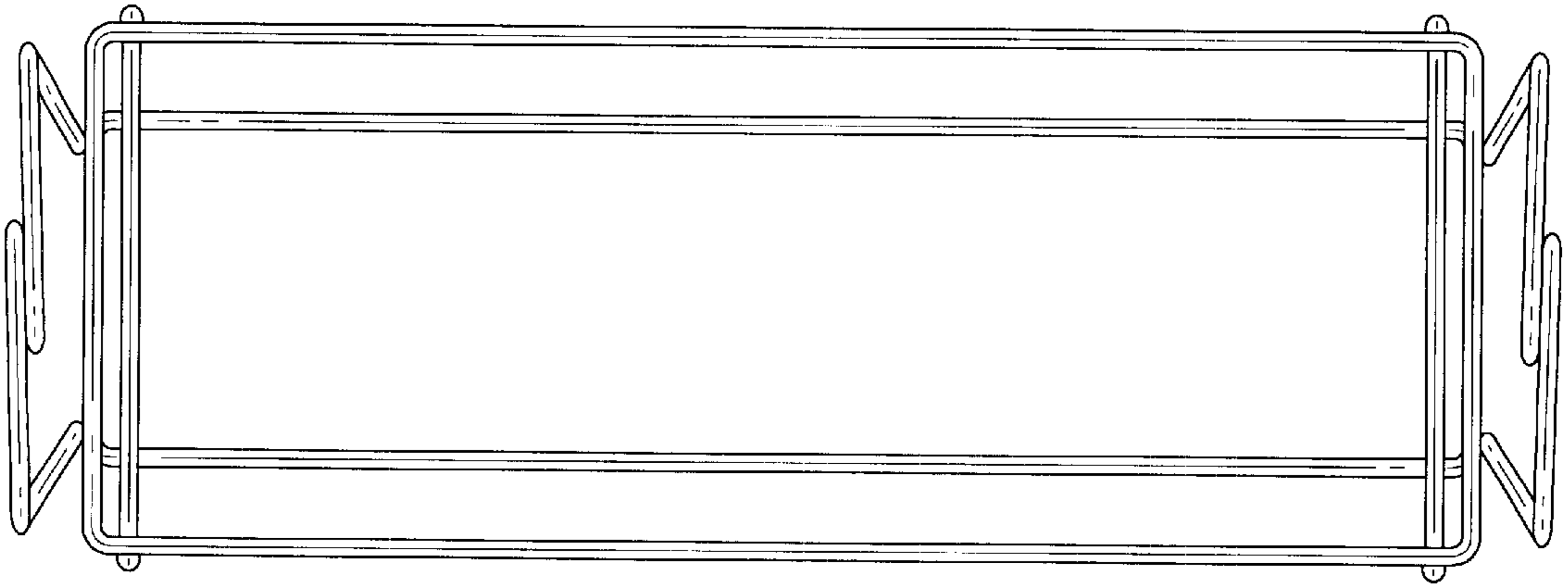


FIG. 1

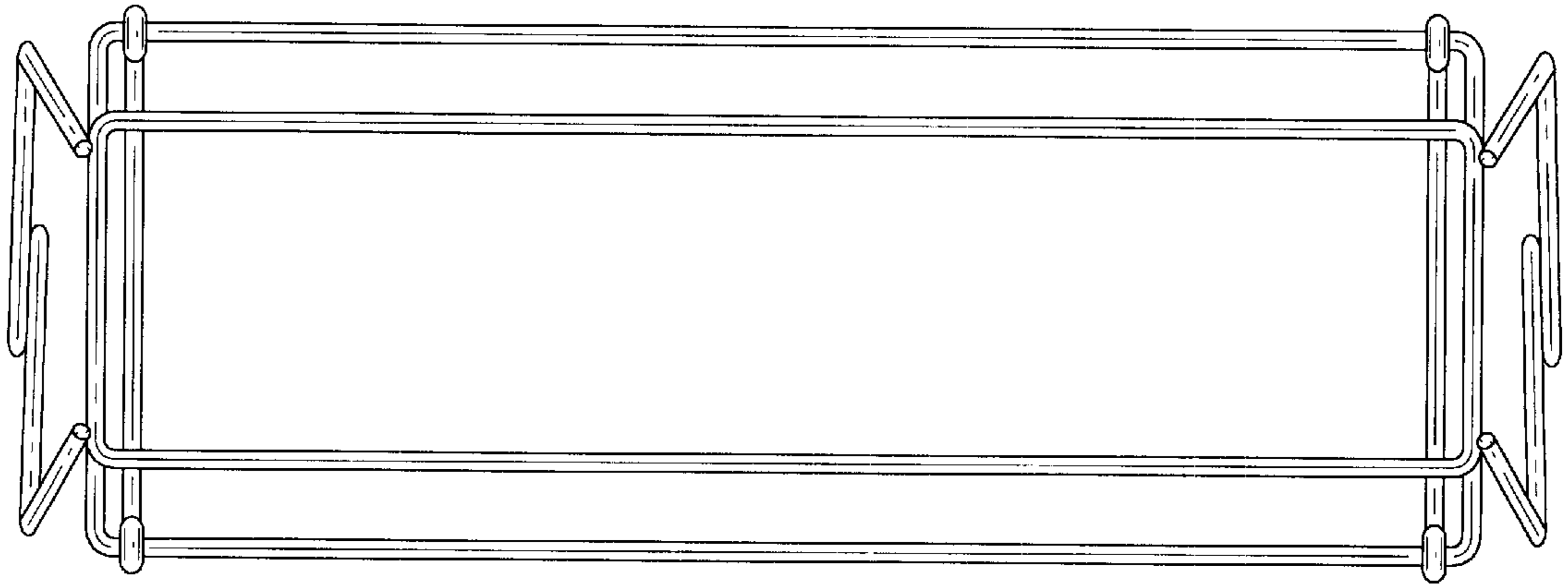


FIG. 2

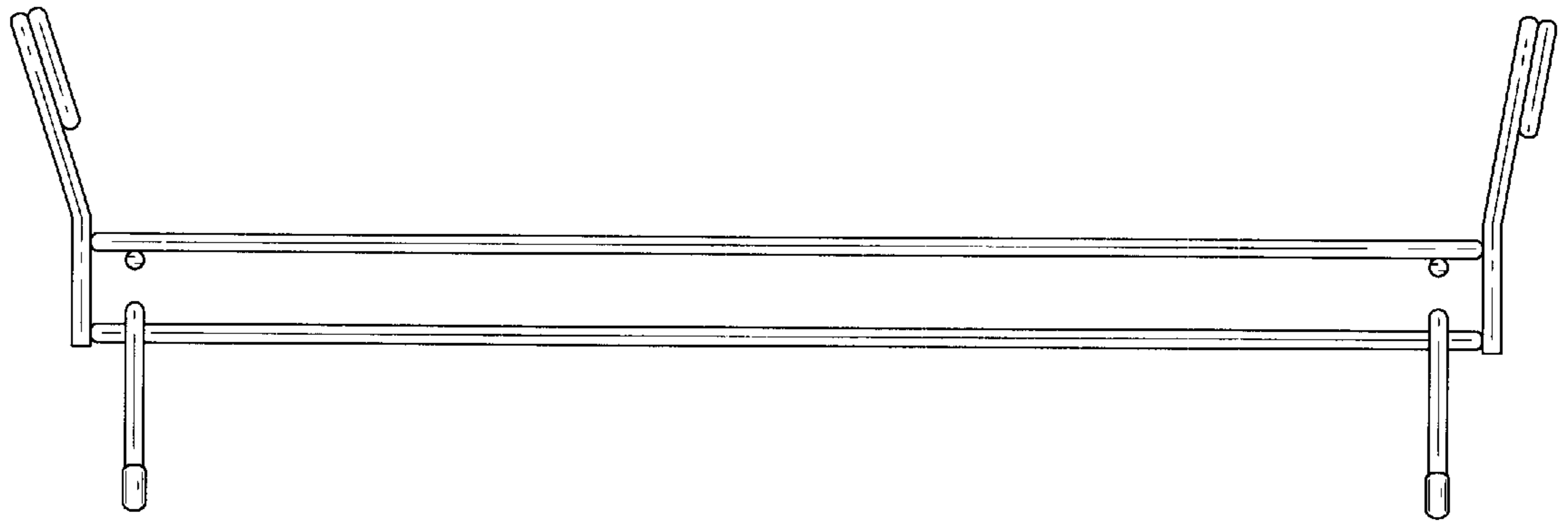


FIG. 3

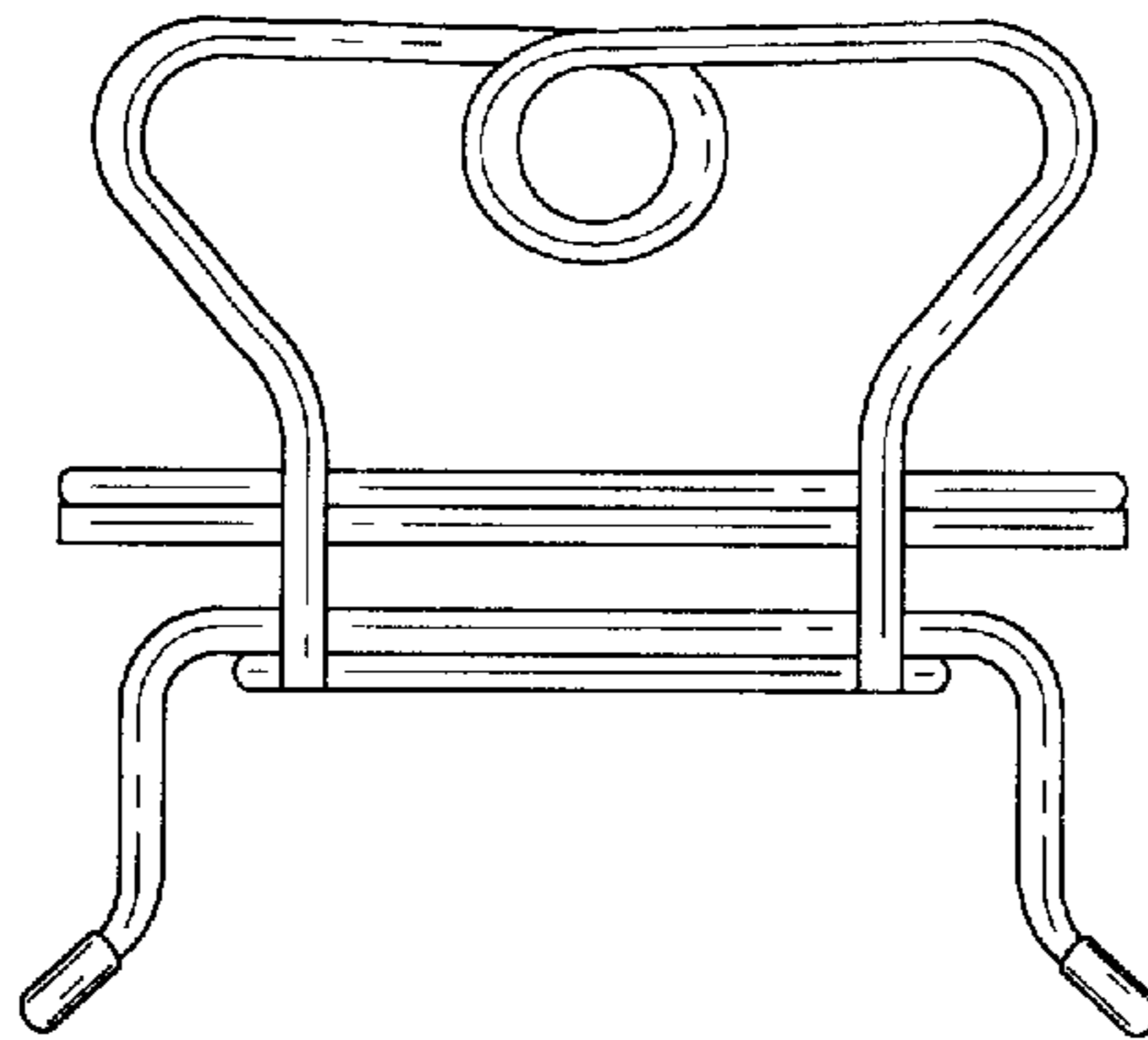


FIG. 4

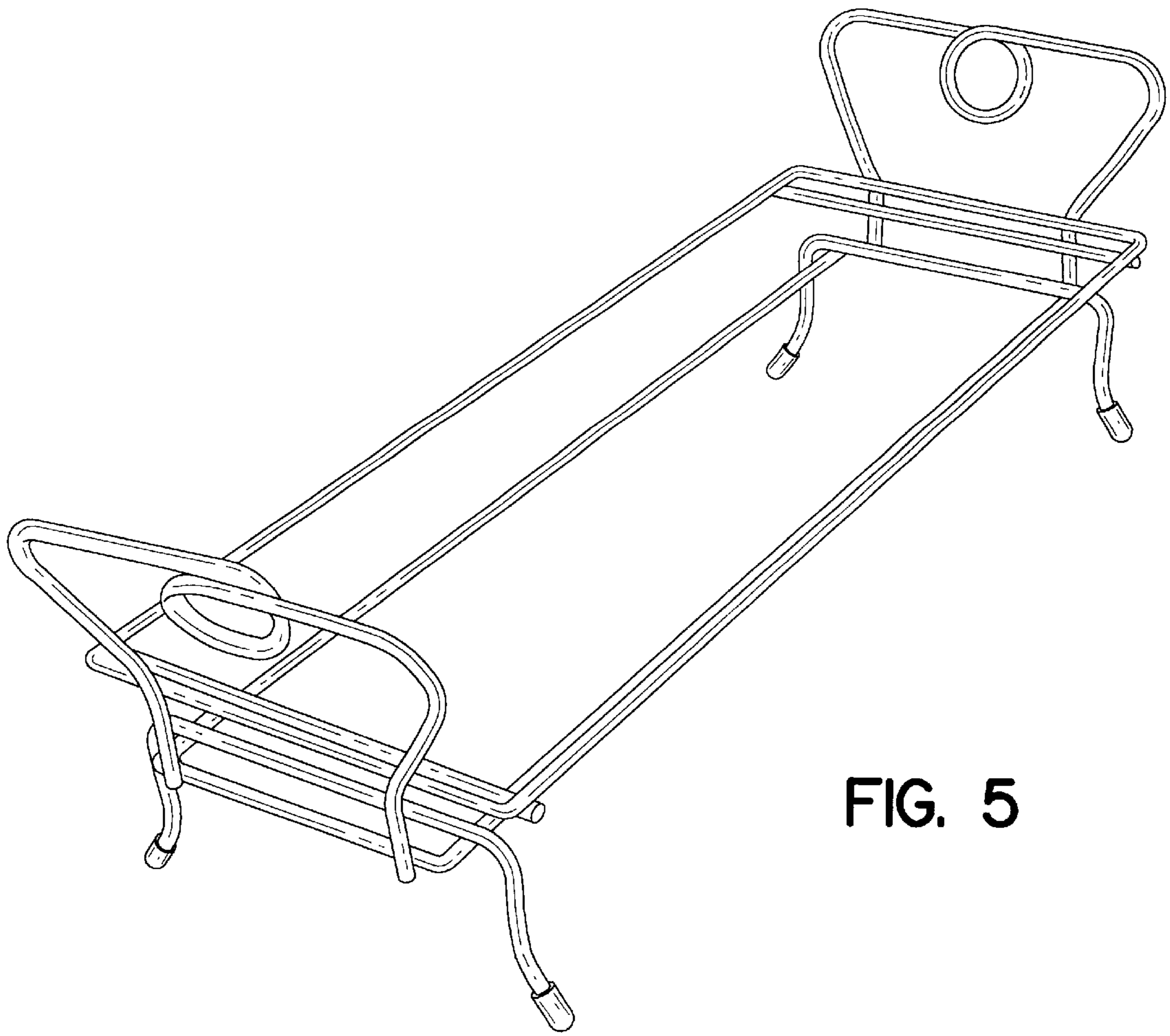


FIG. 5