



US00D485702S

(12) **United States Design Patent**
Becker

(10) **Patent No.:** **US D485,702 S**

(45) **Date of Patent:** **** Jan. 27, 2004**

(54) **AUDIO/VIDEO STORAGE UNIT FRAME WITH WIDE, FLAT FACE AND ROUNDED CORNERS**

(75) **Inventor:** **William Martin Becker**, Washington, DC (US)

(73) **Assignee:** **Becker Designed, Inc.**, Chantilly, VA (US)

(**) **Term:** **14 Years**

(21) **Appl. No.:** **29/171,901**

(22) **Filed:** **Dec. 3, 2002**

(51) **LOC (7) Cl.** **06-04**

(52) **U.S. Cl.** **D6/449; D6/491**

(58) **Field of Search** D6/396, 397, 407, D6/630, 449, 477-479, 491, 509; 108/28, 59-61, 91-93, 149, 157.1, 158.11, 180; 211/10, 11, 34, 36, 37, 90.04, 134, 153, 175, 186; 312/7.2, 9.48, 196, 278-281

(56) **References Cited**

U.S. PATENT DOCUMENTS

D325,137 S	4/1992	Porter	
D333,749 S	3/1993	Leonard	
D335,051 S	4/1993	Ossip	
D367,782 S	3/1996	Kazama	
D371,259 S	7/1996	Herbst	
D378,175 S	* 2/1997	Hamami D6/479
D381,842 S	8/1997	Herbst	
D401,084 S	11/1998	Martin	
D403,539 S	* 1/1999	Hamami D6/491
D404,949 S	* 2/1999	Hamami D6/491
D405,630 S	2/1999	Wohlford	

D407,675 S	*	4/1999	Hamami	D6/491
D427,459 S		7/2000	Druebbish		
D436,466 S		1/2001	Luong		
D450,489 S		11/2001	Wong		
D454,731 S		3/2002	Niitsu		
D474,627 S	*	5/2003	Wicha	D6/477
D476,173 S	*	6/2003	Wicha	D6/479

* cited by examiner

Primary Examiner—Cathron C. Brooks

(57) **CLAIM**

The ornamental design for an audio/video storage unit frame with wide, flat face and rounded corners, as shown and described.

DESCRIPTION

FIG. 1 is a perspective view of an audio/video storage unit frame with wide, flat face and rounded corners showing my new design.

FIG. 2 is a front elevational view thereof;

FIG. 3 is a rear elevational view thereof;

FIG. 4 is a right side view thereof, the left side view being a mirror image;

FIG. 5 is a top view thereof;

FIG. 6 is a bottom view thereof;

FIG. 7 is a perspective view of a second embodiment of my new design;

FIG. 8 is a front elevational view thereof;

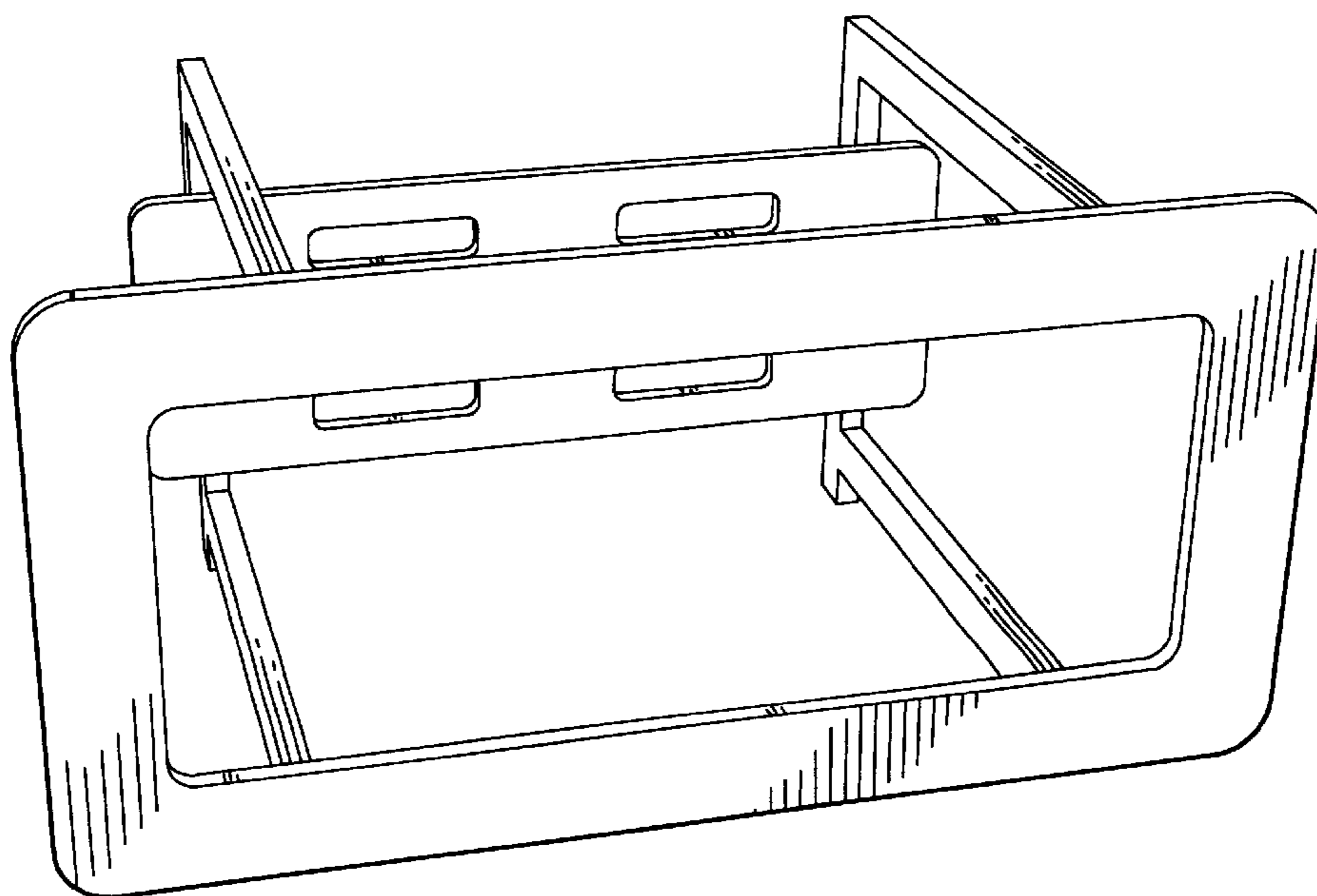
FIG. 9 is a rear elevational view thereof;

FIG. 10 is a right side view thereof, the left side view being a mirror image;

FIG. 11 is a top view thereof; and,

FIG. 12 is a bottom view thereof.

1 Claim, 8 Drawing Sheets



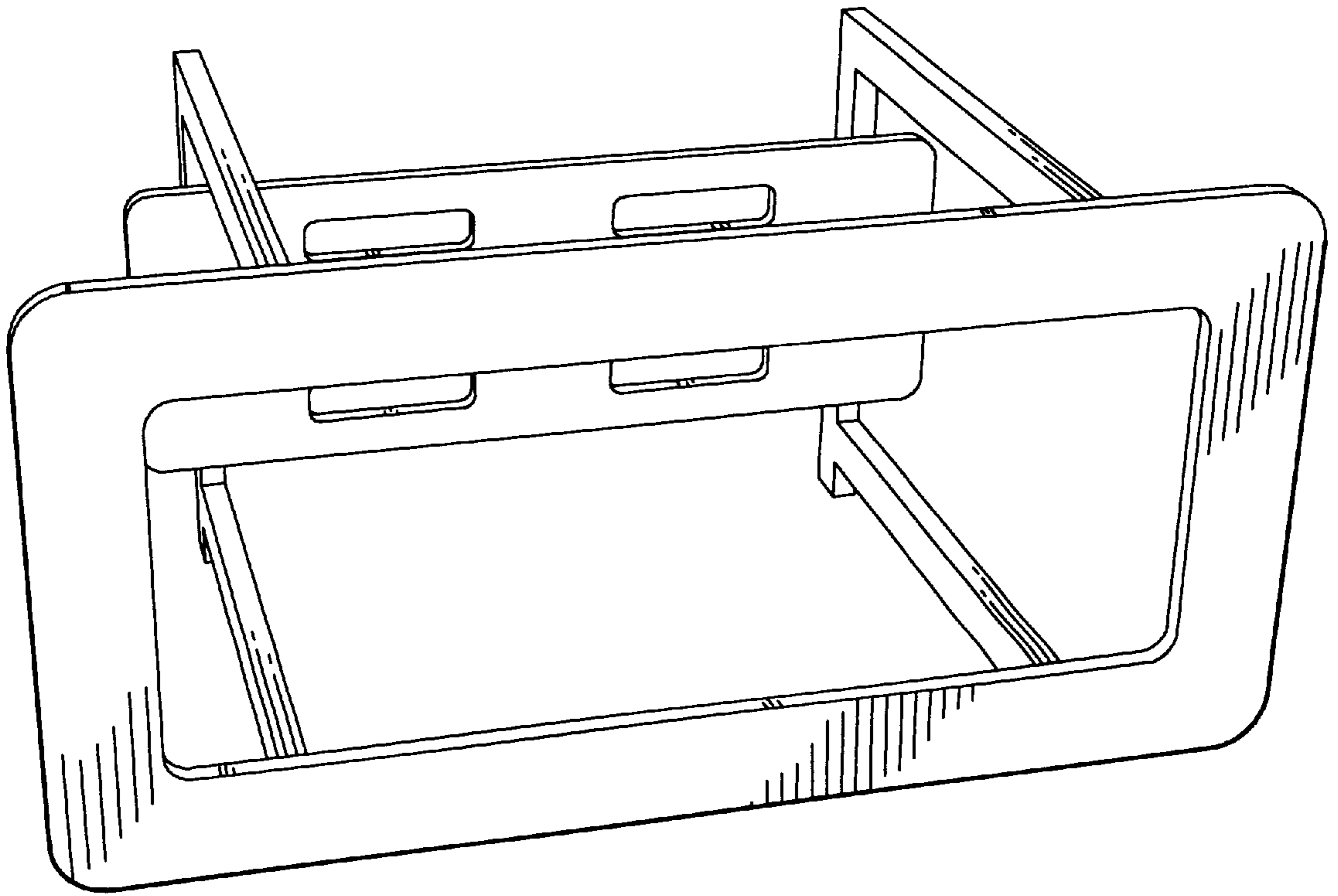


Fig. 1

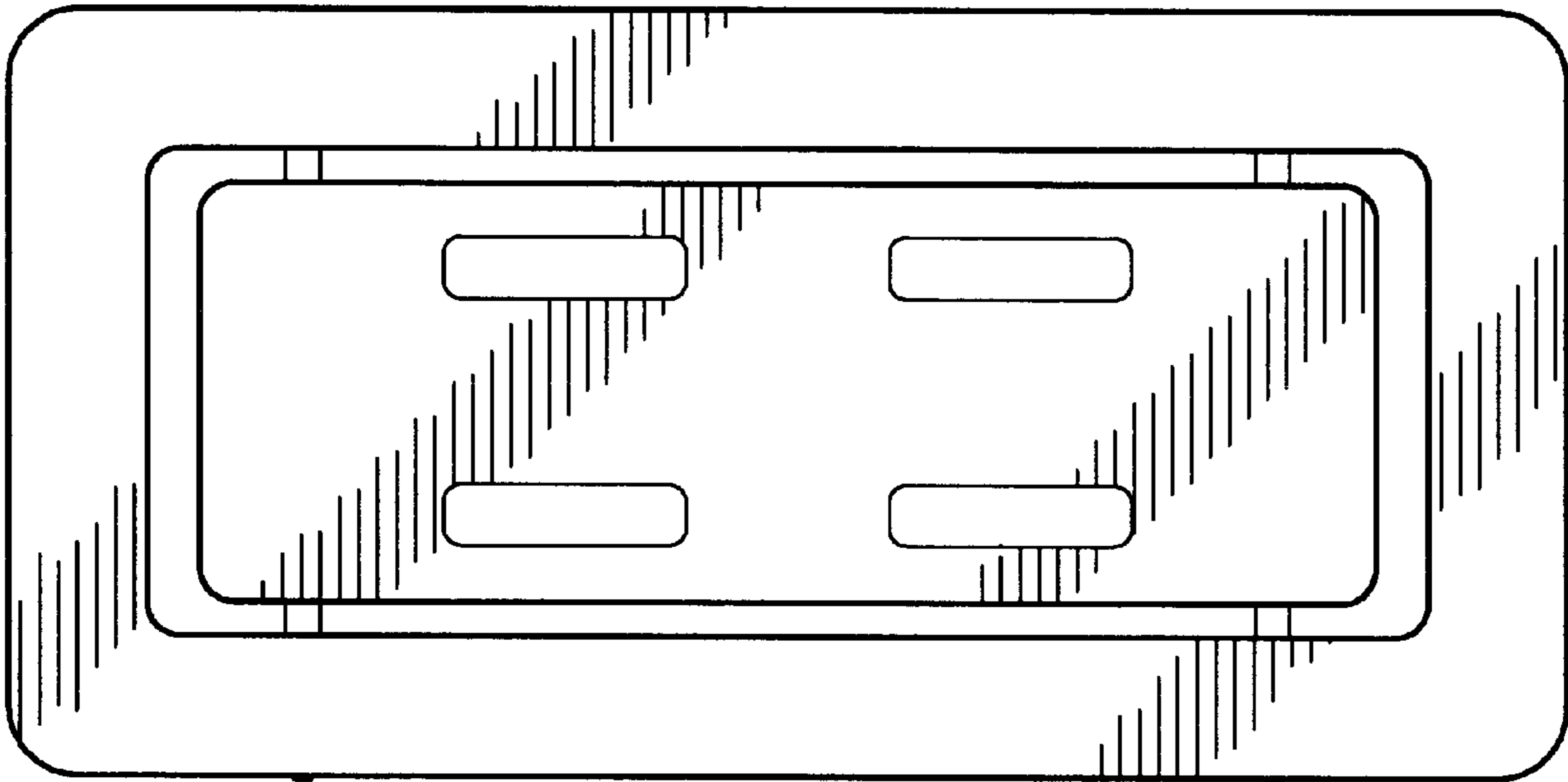


Fig. 2

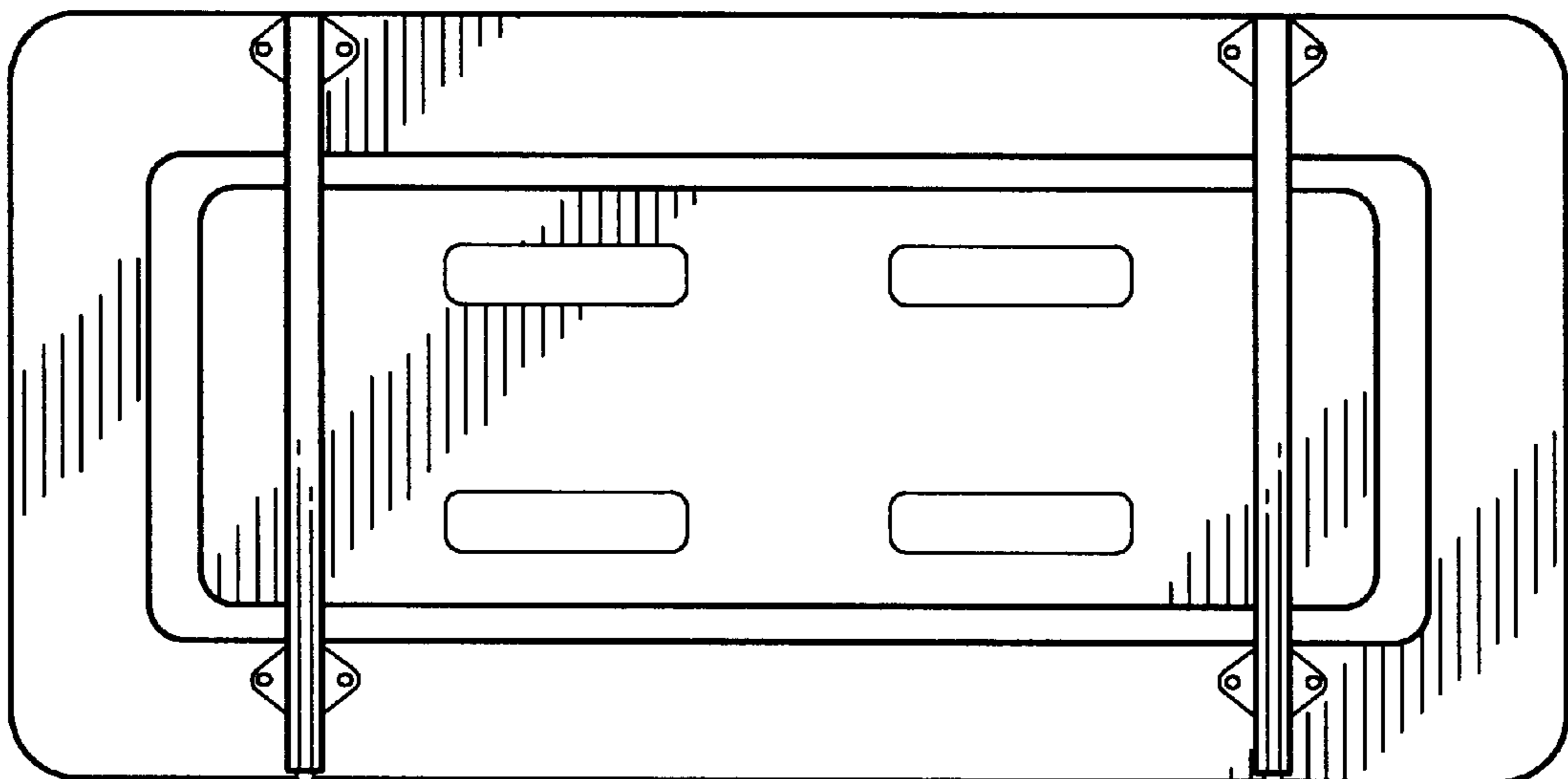


Fig. 3

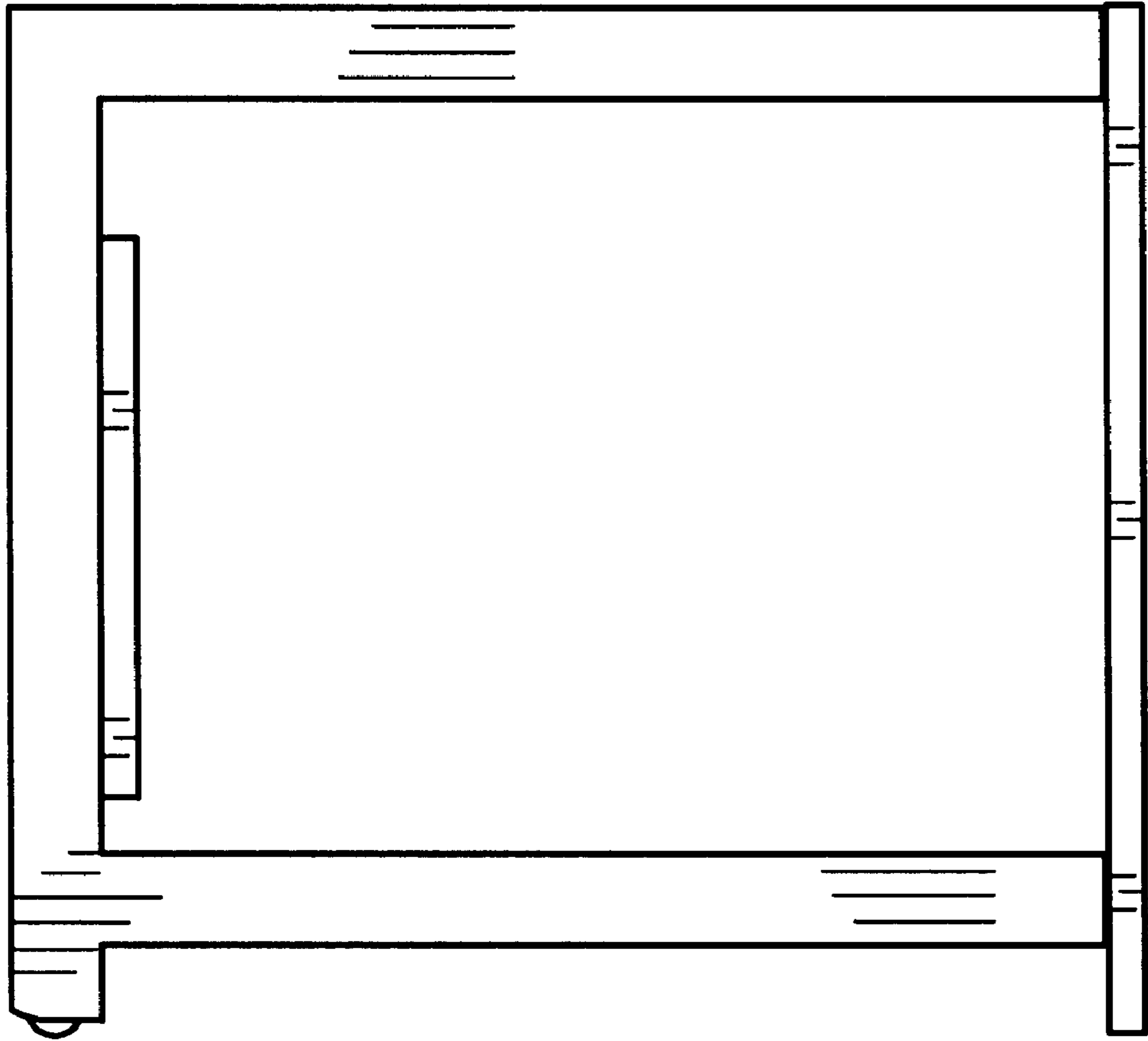


Fig. 4

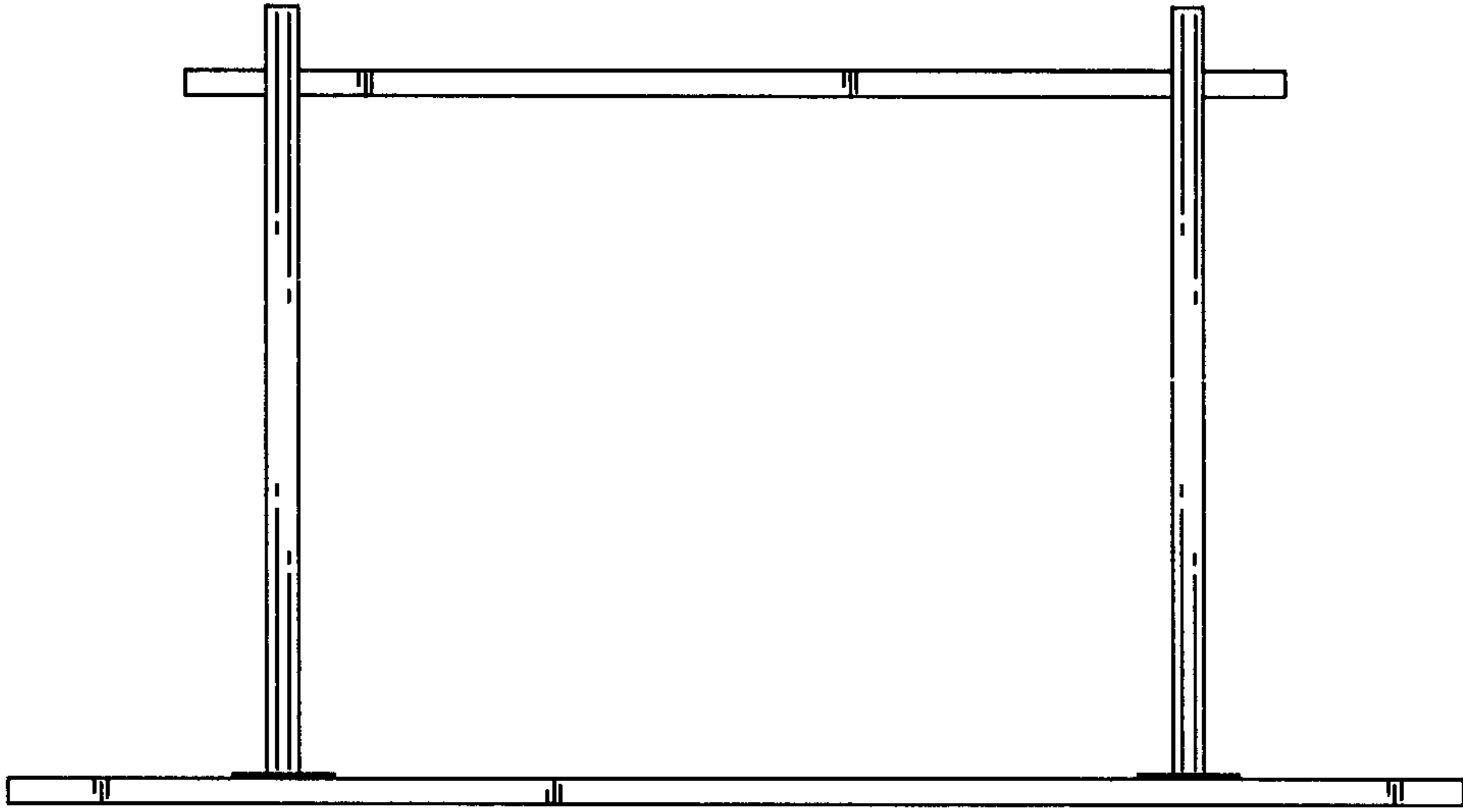


Fig. 5

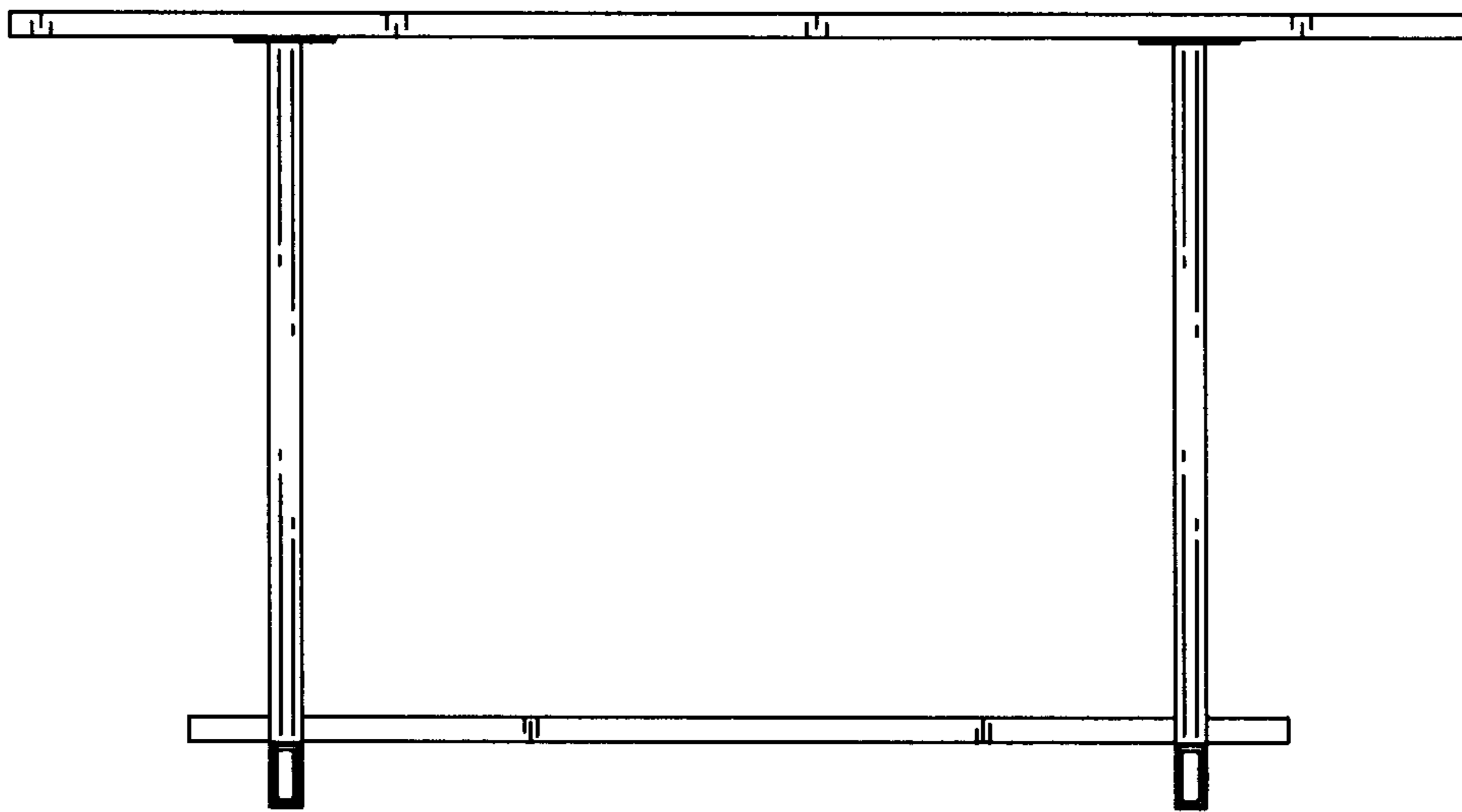


Fig. 6

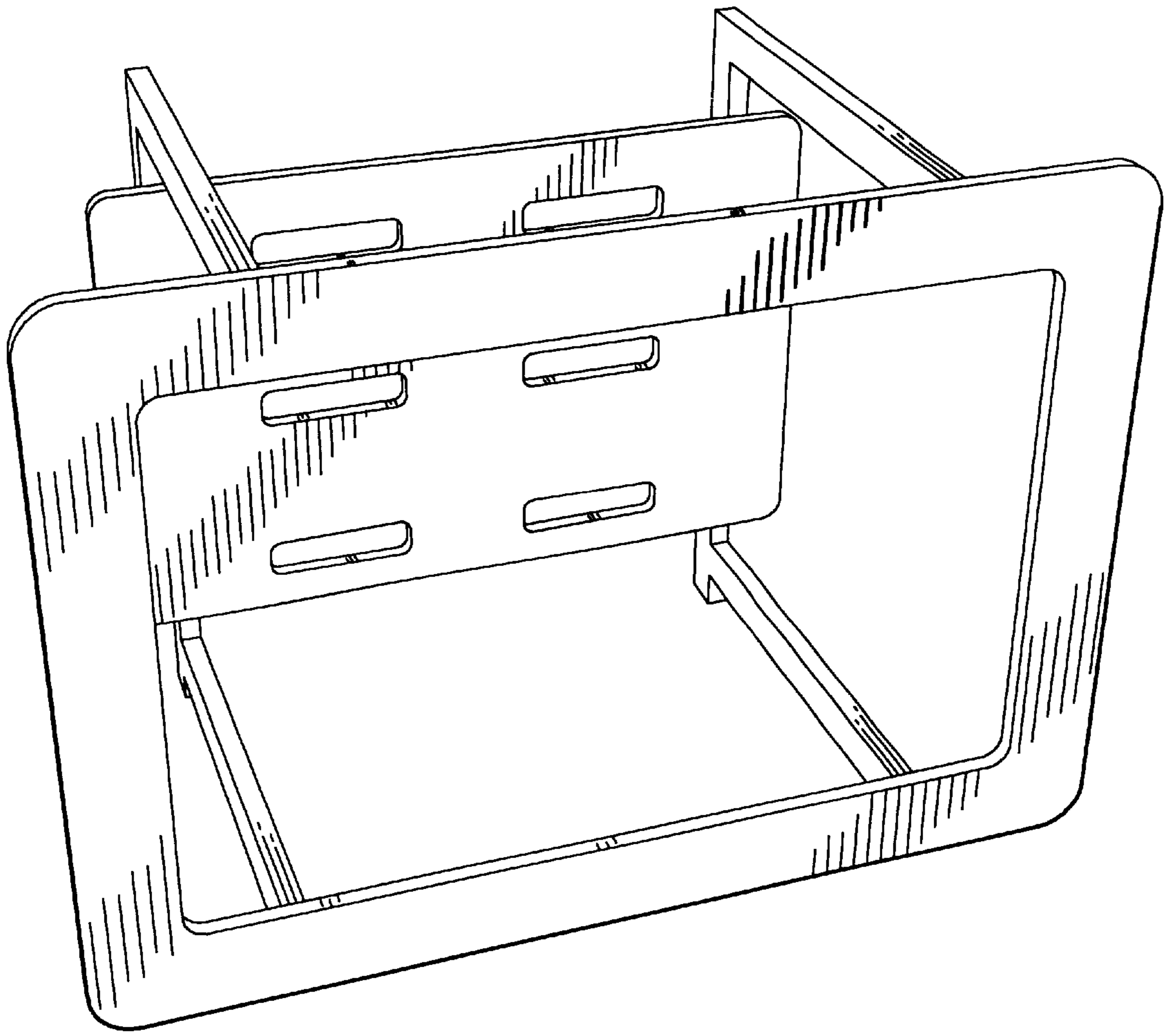


Fig. 7

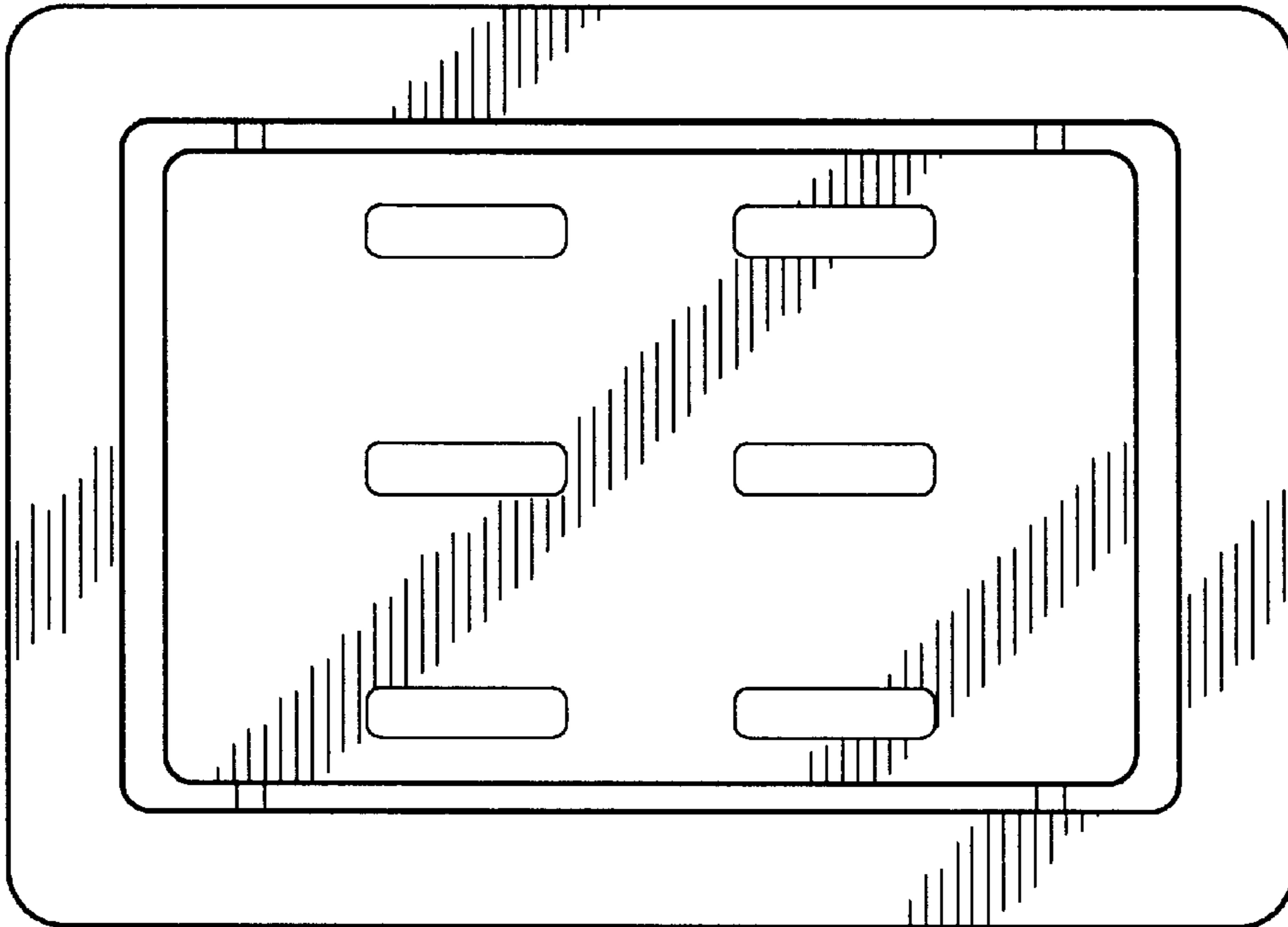


Fig. 8

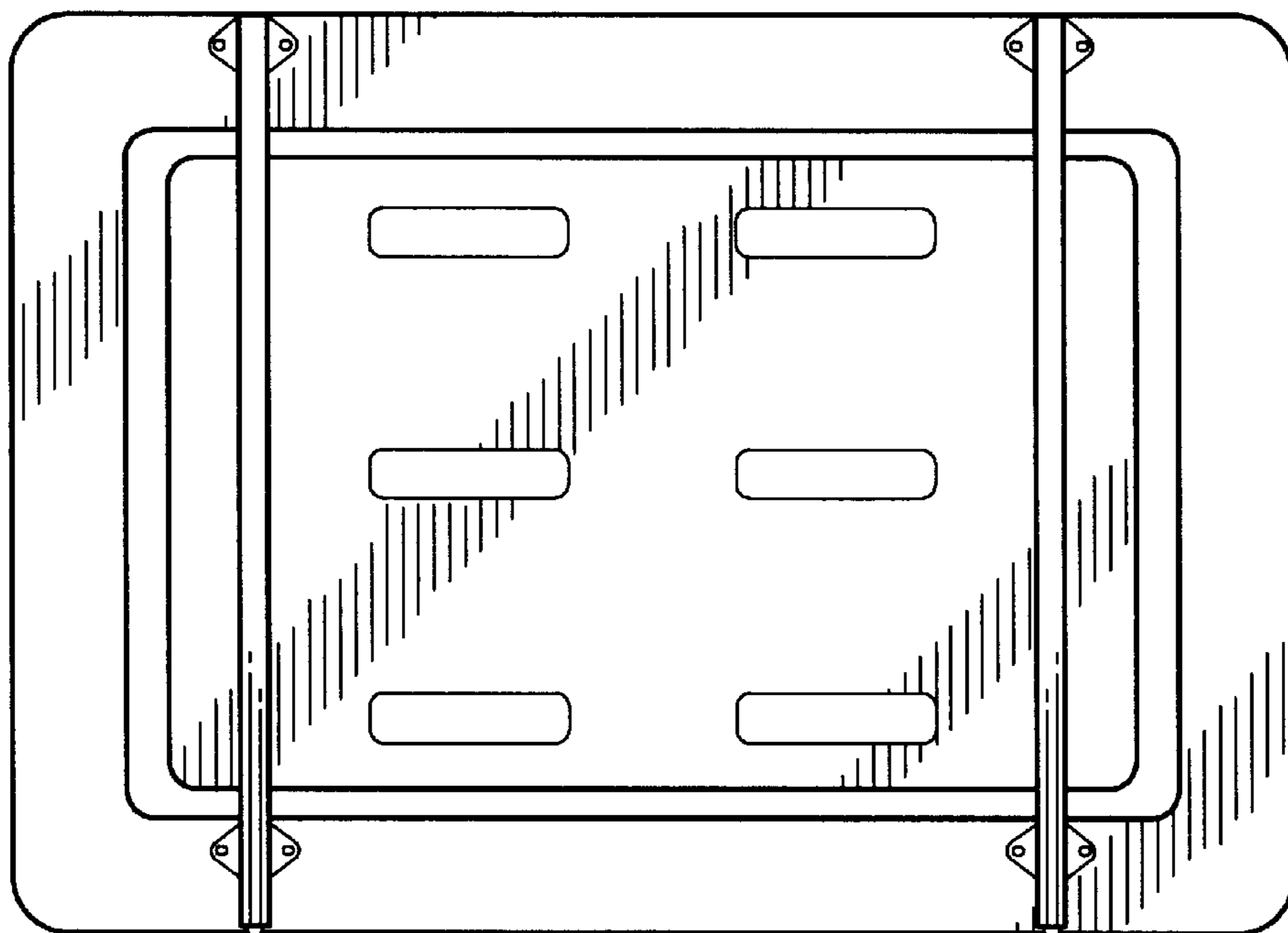


Fig. 9

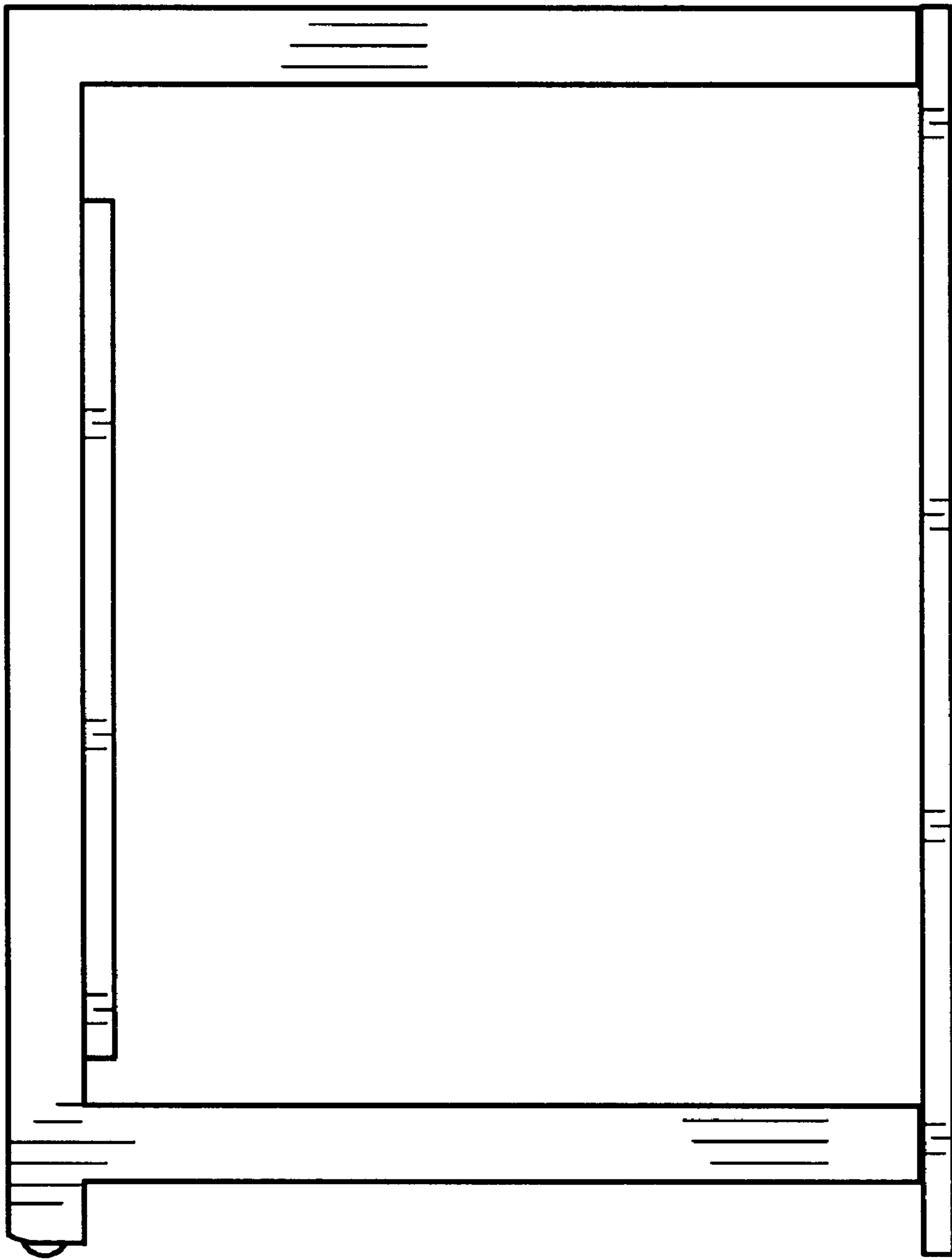


Fig. 10

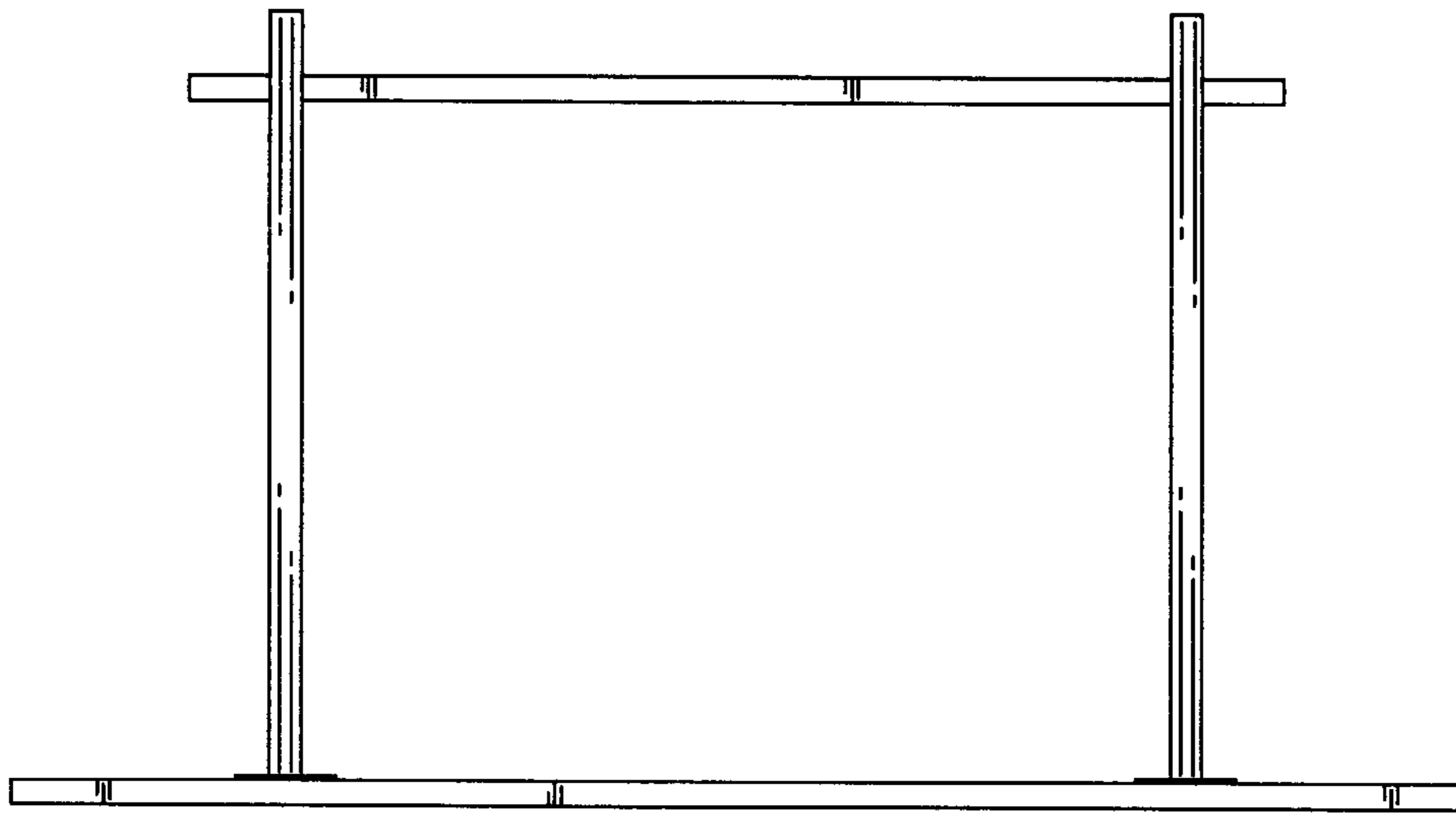


Fig. 11

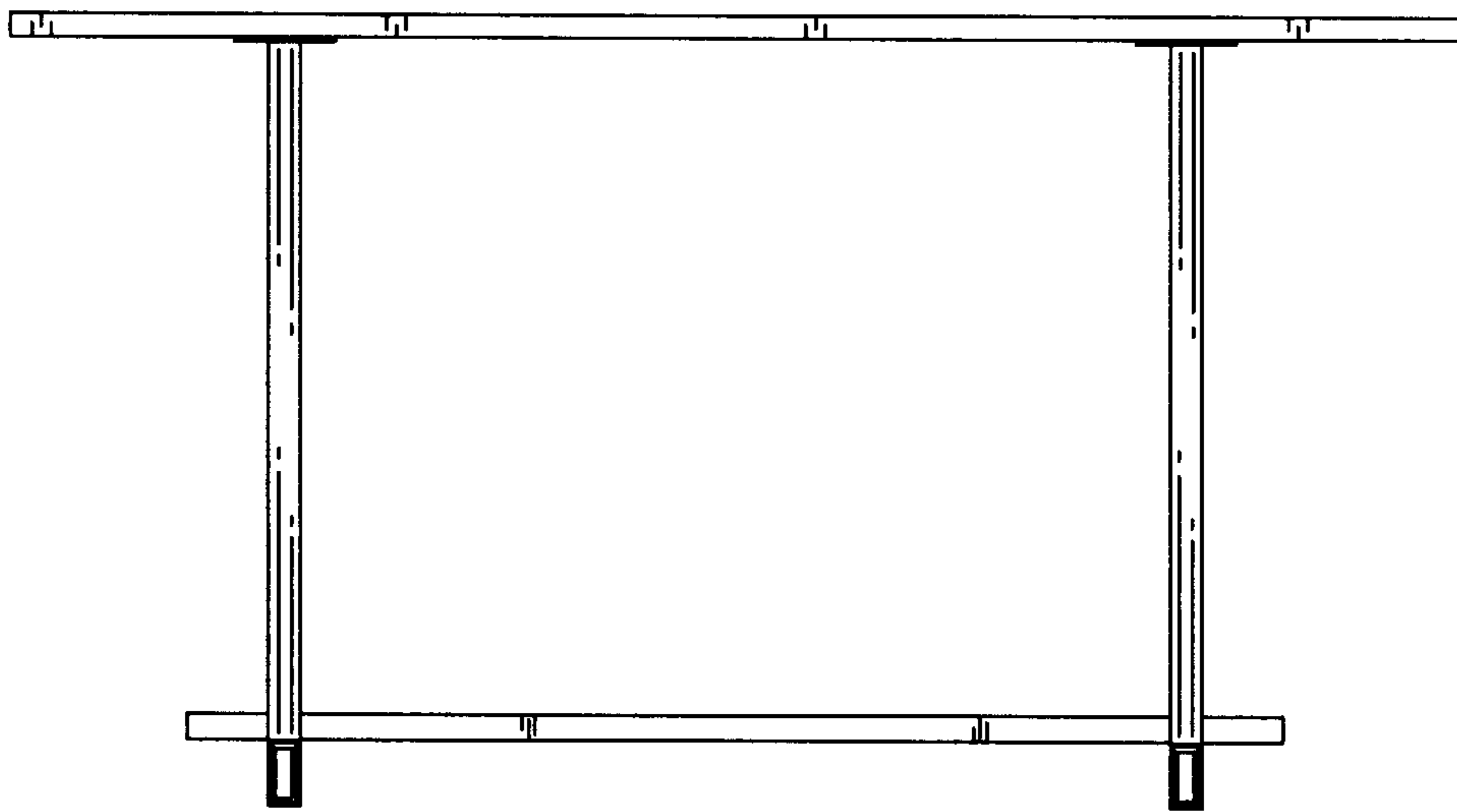


Fig. 12