



US00D485698S

(12) **United States Design Patent**
Yu

(10) **Patent No.:** **US D485,698 S**

(45) **Date of Patent:** **** Jan. 27, 2004**

(54) **CENTRAL HUB FOR A DVD BOX**

(75) **Inventor:** **Shout Hung Yu, Hong Kong (HK)**

(73) **Assignee:** **Glory Pleasure Development Limited, Tuen Mun (HK)**

(**) **Term:** **14 Years**

(21) **Appl. No.:** **29/166,962**

(22) **Filed:** **Sep. 6, 2002**

(30) **Foreign Application Priority Data**

Apr. 2, 2002 (HK) 0210447

(51) **LOC (7) Cl.** **06-04**

(52) **U.S. Cl.** **D6/407; D6/632**

(58) **Field of Search** D3/201, 215, 217, 218, 226, 238, 247, 254, 257, 270, 272, 273, 276, 295, 303, 307; D6/407, 408, 475, 626-635; D9/337, 424, 445, 454; 206/307.1, 308.1, 308.2, 308.3, 309-310, 311, 312, 313, 445, 749, 18, 307; 312/902, 9.9, 9.48, 9.55, 9.64, 9.47, 9.53, 328; 379/355; 383/18

(56) **References Cited**

U.S. PATENT DOCUMENTS

- D221,237 S * 7/1971 Connan
- 5,685,427 A * 11/1997 Kuitems et al. 206/310
- 5,896,986 A * 4/1999 Bologna et al. 206/310
- 5,950,822 A * 9/1999 Cloran et al. 206/310

- D420,240 S * 2/2000 Sorenson et al. D6/632
- 6,044,968 A * 4/2000 Iampen 206/304
- 6,085,900 A * 7/2000 Wong 206/308.1
- D439,435 S * 3/2001 Belden, Jr. et al. D6/407
- 6,398,022 B1 * 6/2002 Mou et al. 206/308.1
- 6,415,918 B1 * 7/2002 Wong et al. 206/308.2
- 6,547,067 B1 * 4/2003 Liu 206/308.1
- 2002/0074249 A1 * 6/2002 Kuremoto 206/308.1
- 2002/0153266 A1 * 10/2002 Havens
- 2002/0170838 A1 * 11/2002 Marsilio
- 2002/0175097 A1 * 11/2002 Hai
- 2003/0015442 A1 * 1/2003 Chu 206/310
- 2003/0034260 A1 * 2/2003 Chang 206/310
- 2003/0066768 A1 * 4/2003 Myszka et al. 206/308.2
- 2003/0102232 A1 * 6/2003 Marsilio 206/308.1

* cited by examiner

Primary Examiner—Celia Murphy

(74) *Attorney, Agent, or Firm*—Smith-Hill and Bedell

(57) **CLAIM**

The ornamental design for “a central hub for a DVD box”, as shown and described.

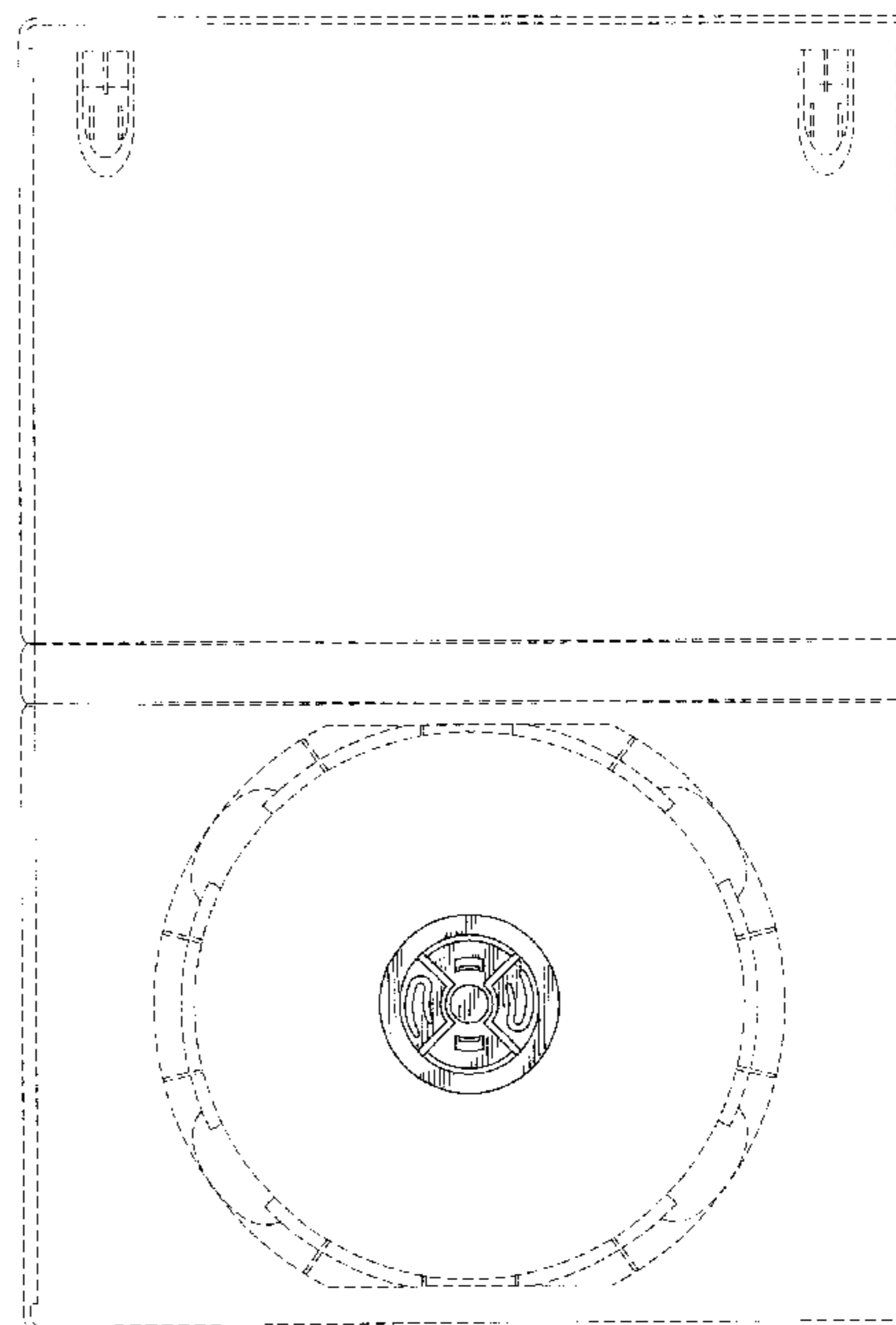
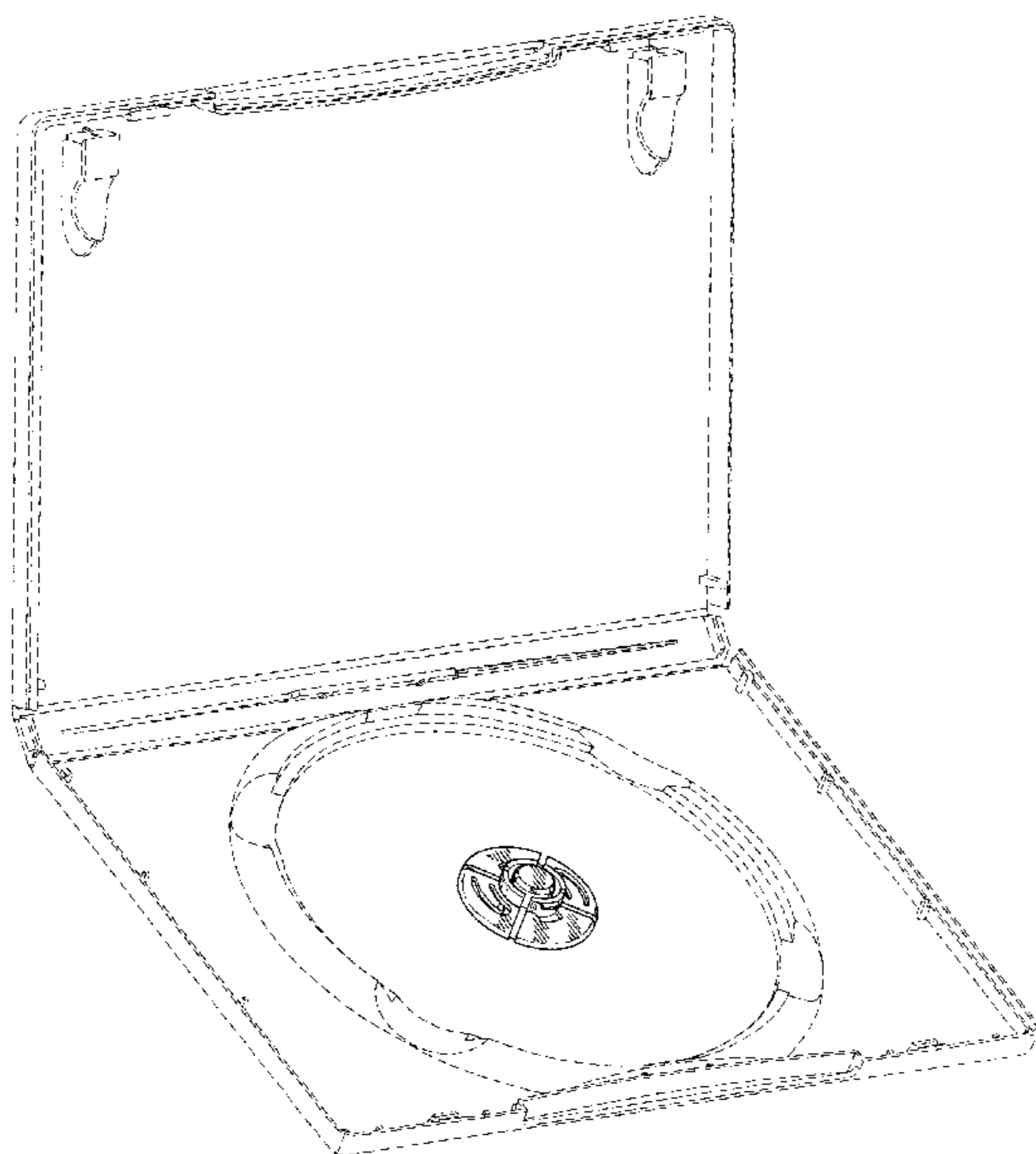
DESCRIPTION

FIG. 1 is a perspective view of a central hub for a DVD box showing my new design;

FIG. 2 is a top plan view in a fully opened position; and, FIG. 3 is a bottom plan view of FIG. 2.

The broken lines showing the remainder of the DVD box is for illustrative purposes only and forms no part of the claimed design.

1 Claim, 3 Drawing Sheets



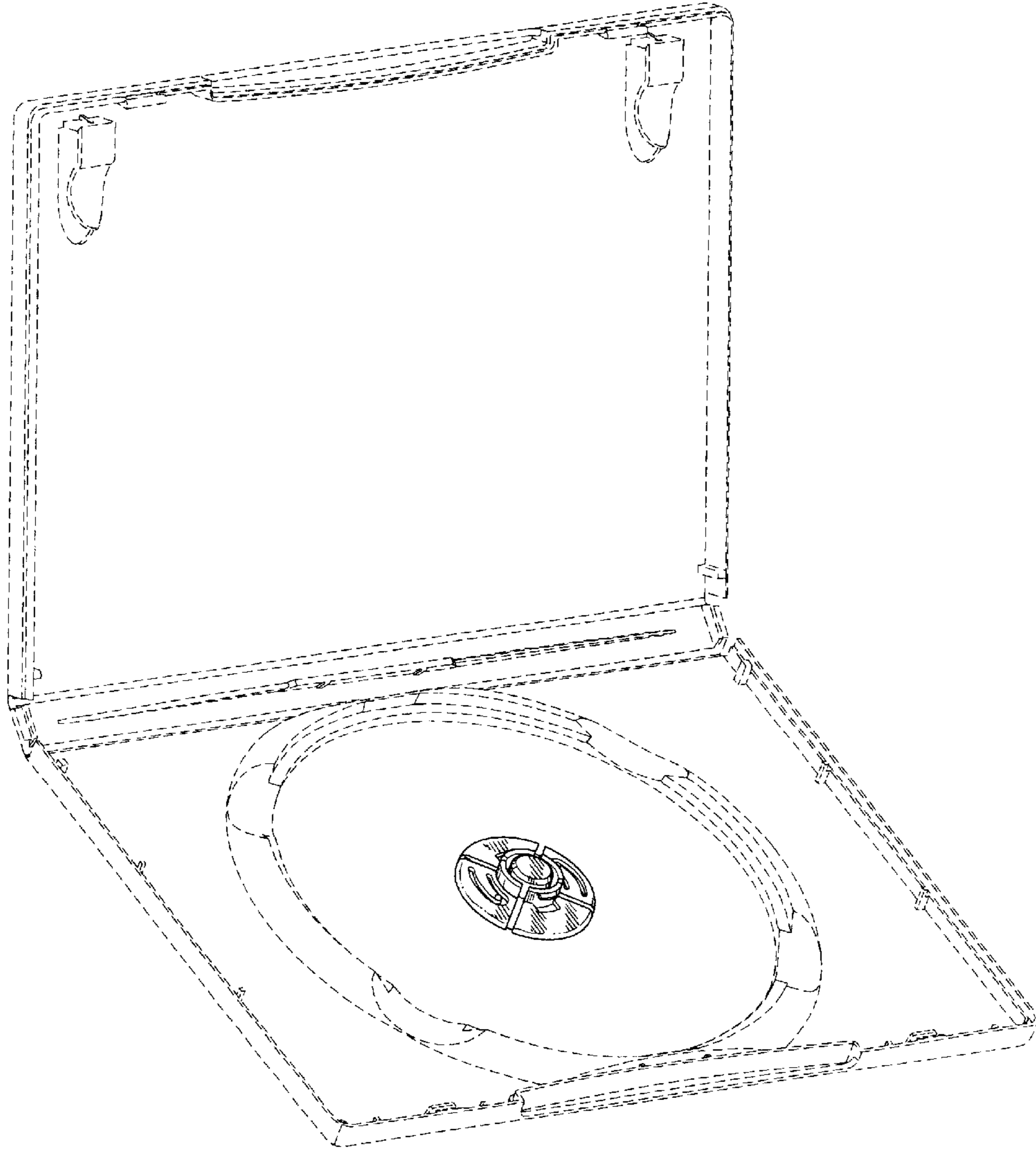


Fig. 1

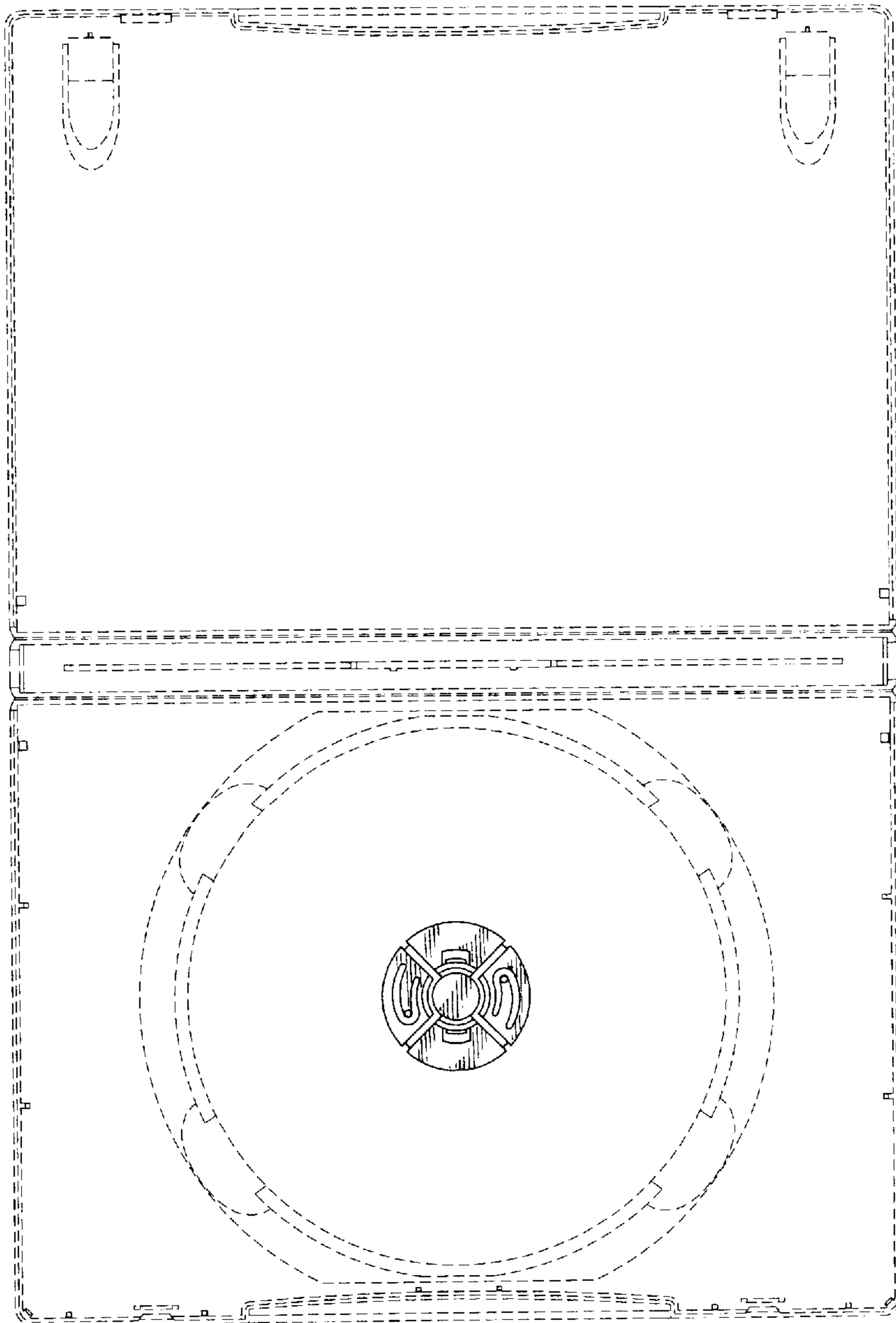


Fig. 2

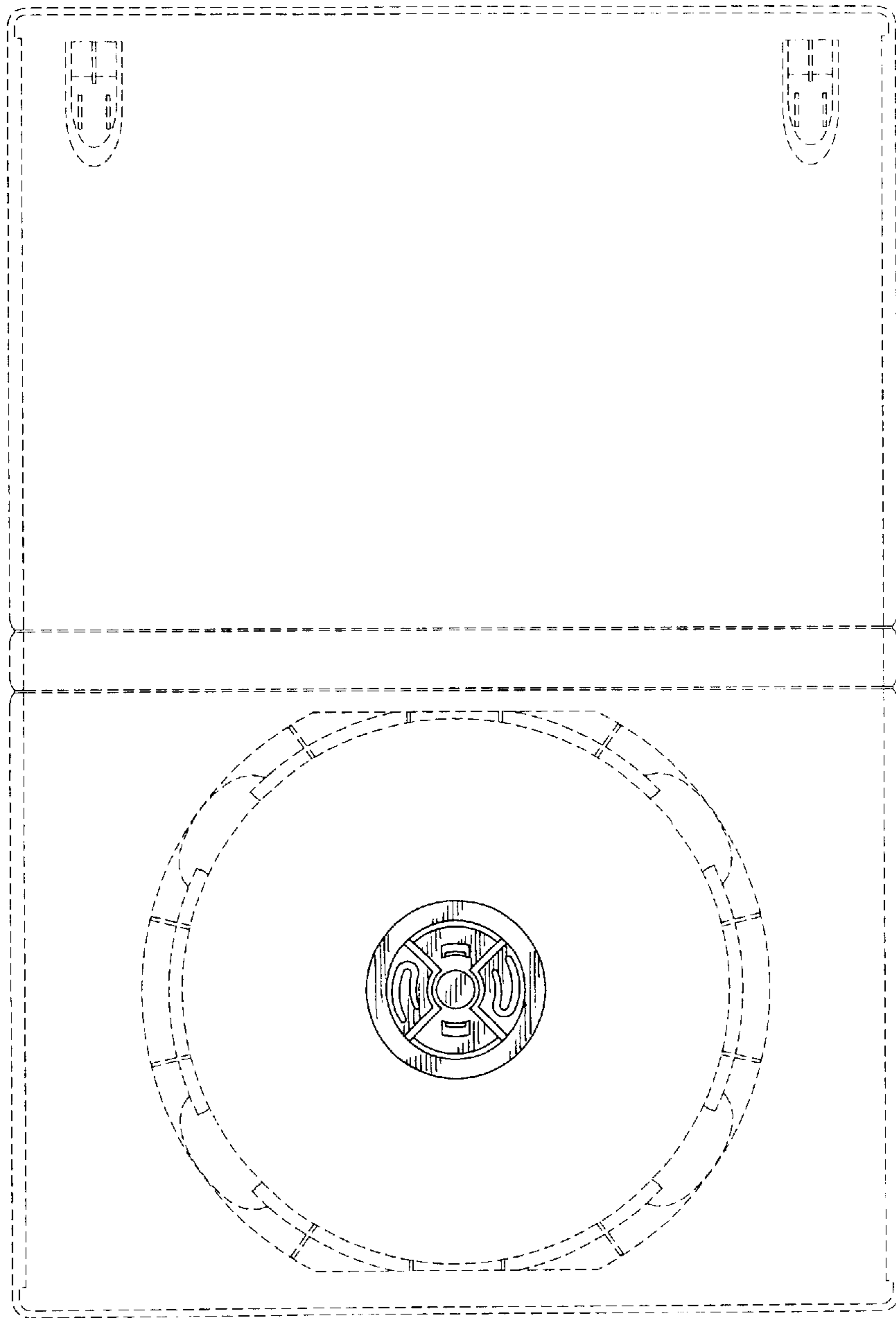


Fig. 3