



US00D485697S

(12) **United States Design Patent**
Huang

(10) **Patent No.:** **US D485,697 S**
(45) **Date of Patent:** **** Jan. 27, 2004**

(54) **CENTER BUTTON FOR A DISC STORAGE CASE**
(76) **Inventor:** **Michael Huang**, 8527 E. Beverly Dr., San Gabriel, CA (US) 91775
(**) **Term:** **14 Years**
(21) **Appl. No.:** **29/162,036**
(22) **Filed:** **Jun. 7, 2002**
(51) **LOC (7) Cl.** **19-04**
(52) **U.S. Cl.** **D6/407; D6/632**
(58) **Field of Search** D3/201, 217, 218, D3/226, 238, 247, 254, 257, 270, 272, 273, 276, 295, 303, 307; D6/407, 408, 475, 626-635; D9/337, 424, 445, 454; 206/18, 307, 307.1, 308.1, 308.2, 308.3, 309-310, 311, 312, 313, 445, 749; 312/902, 9.9, 9.48, 9.55, 9.64, 9.47, 9.53, 328; 379/355; 383/18

308.1
6,216,862 B1 * 4/2001 Chang 206/308.1
6,227,363 B1 * 5/2001 Lu 206/308.1
D443,169 S * 6/2001 Sankey et al. D6/632
6,241,086 B1 6/2001 Bergh et al. 206/308.1
6,241,087 B1 6/2001 Moorhouse, Sr. 206/308.1
D448,962 S * 10/2001 Clausen D6/626
D454,750 S * 3/2002 Bieda D6/632
D455,038 S * 4/2002 Yang D6/632
6,382,415 B1 * 5/2002 Cha 206/310
6,409,014 B1 * 6/2002 Hummell et al. 206/308.1
6,419,084 B1 * 7/2002 Sandor 206/308.1
6,478,150 B1 * 11/2002 Solling 206/308.1
2002/0027090 A1 * 3/2002 Sankey et al.

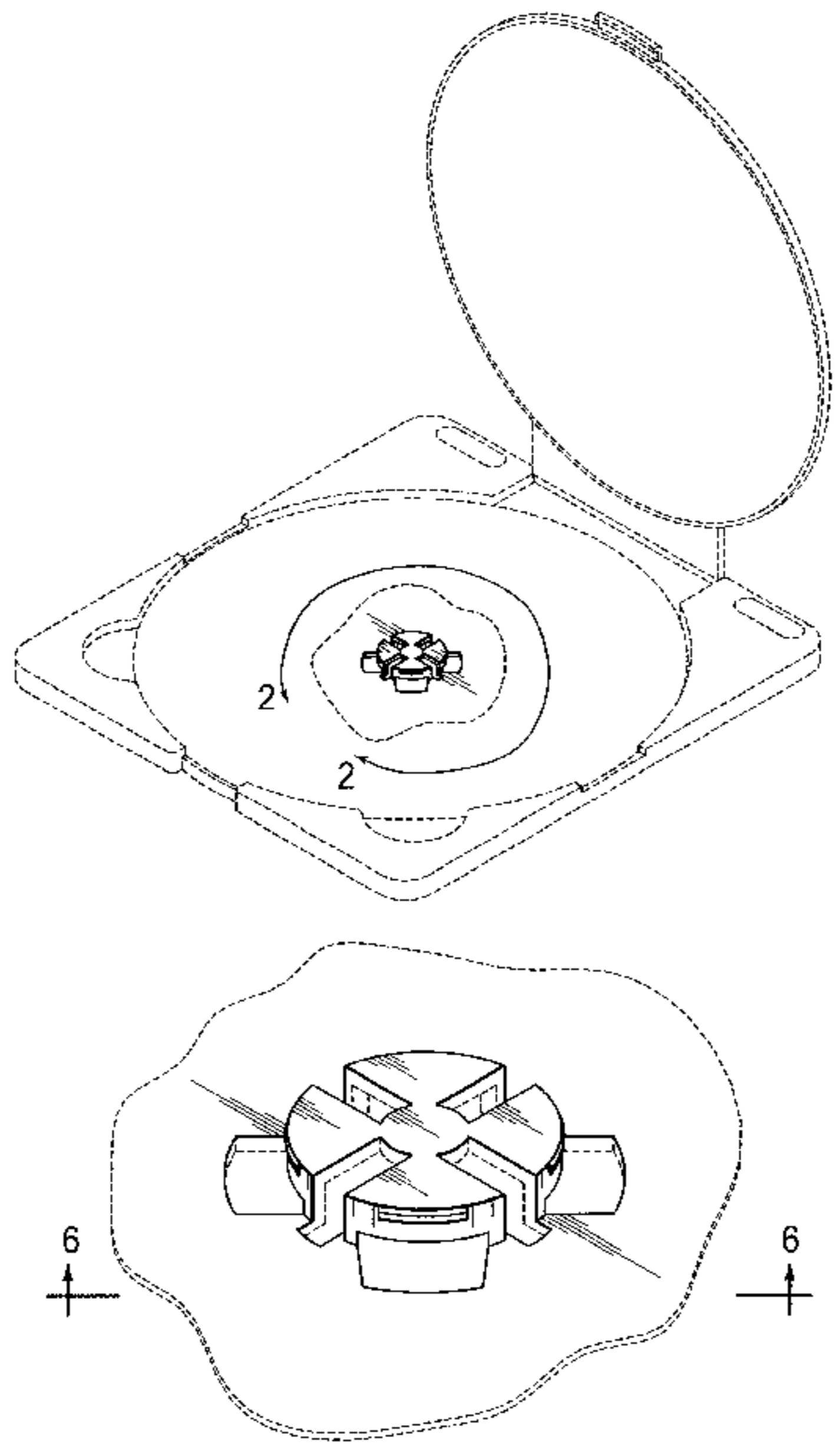
* cited by examiner
Primary Examiner—Celia Murphy
(74) *Attorney, Agent, or Firm*—Chan Law Group LC; Brett L. Halperin

(56) **References Cited**
U.S. PATENT DOCUMENTS
4,850,731 A 7/1989 Youngs 402/79
5,400,902 A * 3/1995 Kaminski 206/310
5,413,215 A 5/1995 Hardinger, Jr. 206/308.1
5,462,160 A 10/1995 Youngs 306/312
5,588,527 A 12/1996 Youngs 206/308.1
5,697,498 A * 12/1997 Weisburn et al. 206/308.1
5,713,463 A 2/1998 Lakoski et al. 206/308.1
5,715,938 A * 2/1998 Cheris et al. 206/308.1
D391,437 S * 3/1998 Moore et al. D6/634
5,896,985 A * 4/1999 Nakasuji 206/308.2
5,896,986 A * 4/1999 Bolognia et al. 206/310
5,950,822 A * 9/1999 Cloran et al. 206/310
6,021,894 A 2/2000 Lakoski et al. 206/308.1
6,085,900 A * 7/2000 Wong 206/308.1
D434,592 S * 12/2000 Sankey et al. D6/634
6,170,656 B1 * 1/2001 Cerda-Vilaplana et al. 206/

(57) **CLAIM**
The ornamental design for a center button for a disc storage case, as shown and described.

DESCRIPTION
FIG. 1 is a perspective view of a center button for a disc storage case showing my new design;
FIG. 2 is an enlarged top plan view thereof;
FIG. 3 is a cross sectional view taken on line 3—3 of FIG. 2;
FIG. 4 is a cross sectional view taken on line 4—4 of FIG. 2;
FIG. 5 is a top perspective view of FIG. 2; and,
FIG. 6 is a bottom perspective view of FIG. 2.
The broken lines showing a disc case illustrate the environment in which the design resides; and the irregular broken line around the center feature forms the boundary of the design. None of the broken lines form any part of the claim.

1 Claim, 4 Drawing Sheets



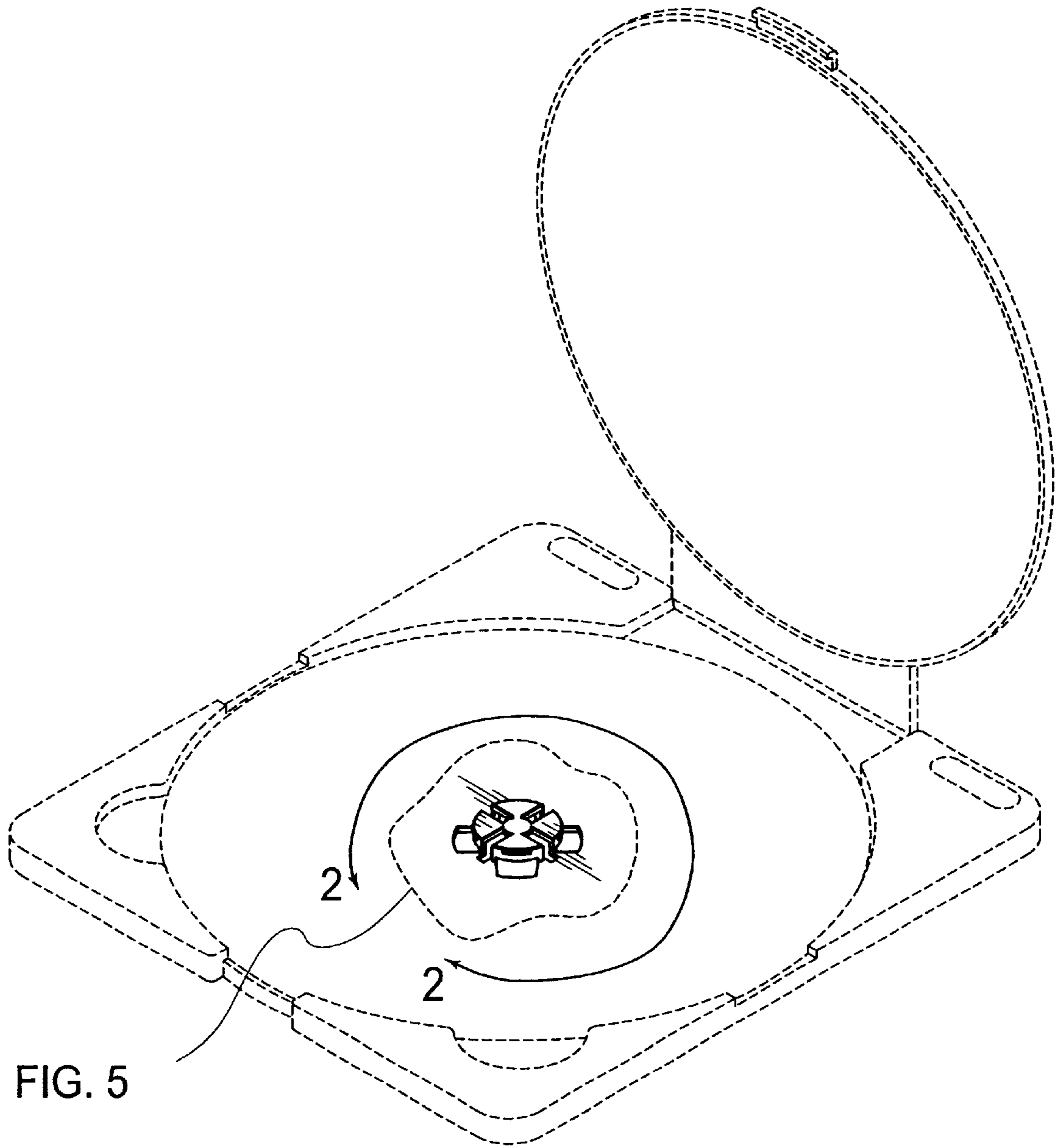


FIG. 5

FIG. 1

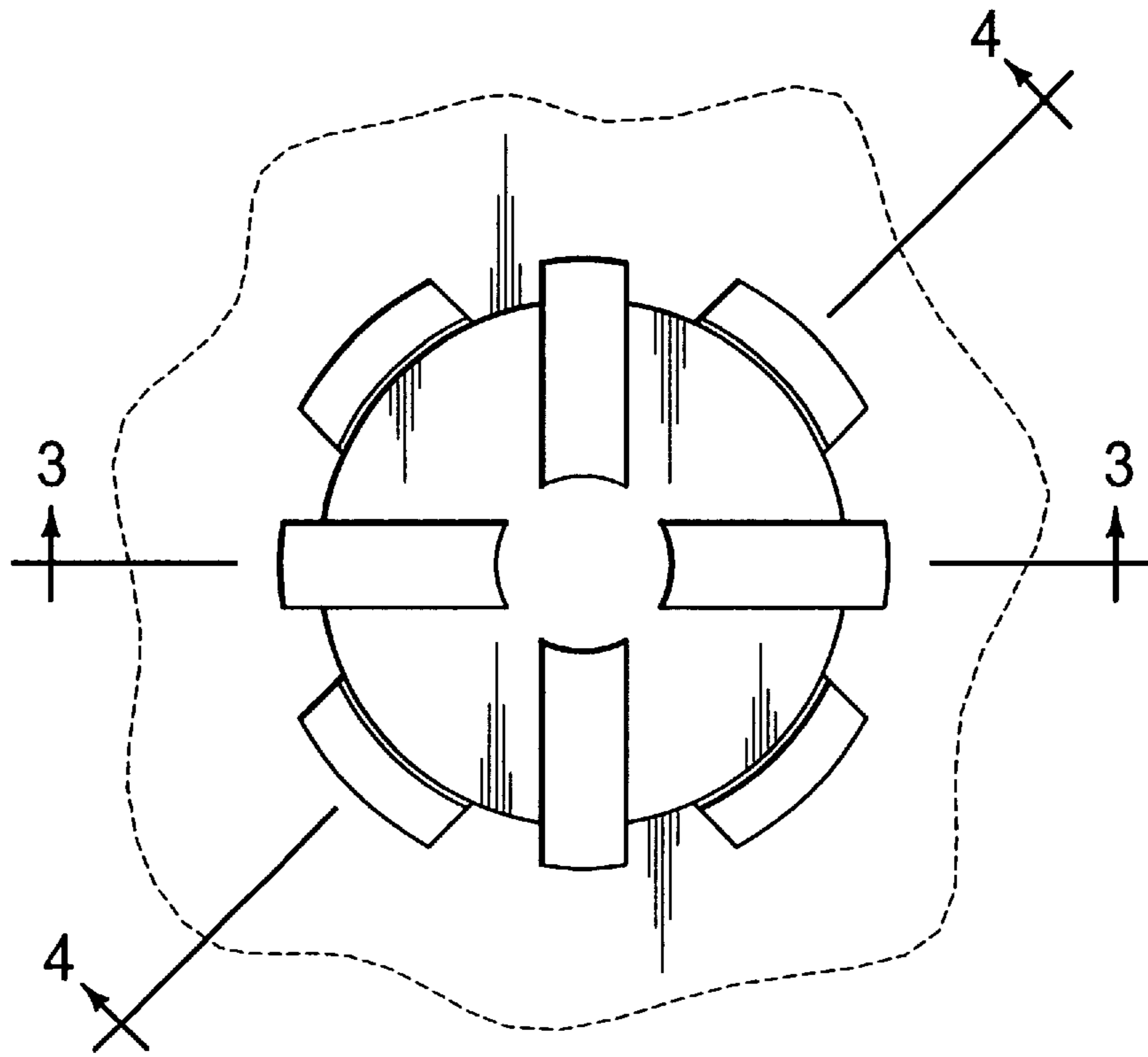


FIG. 2

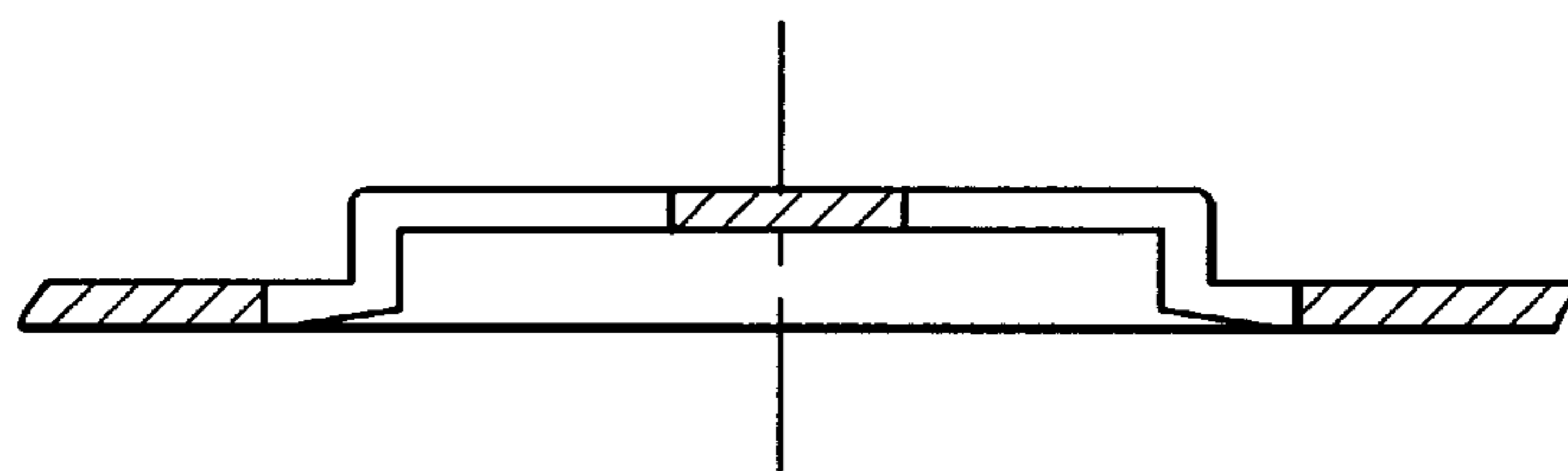


FIG. 3

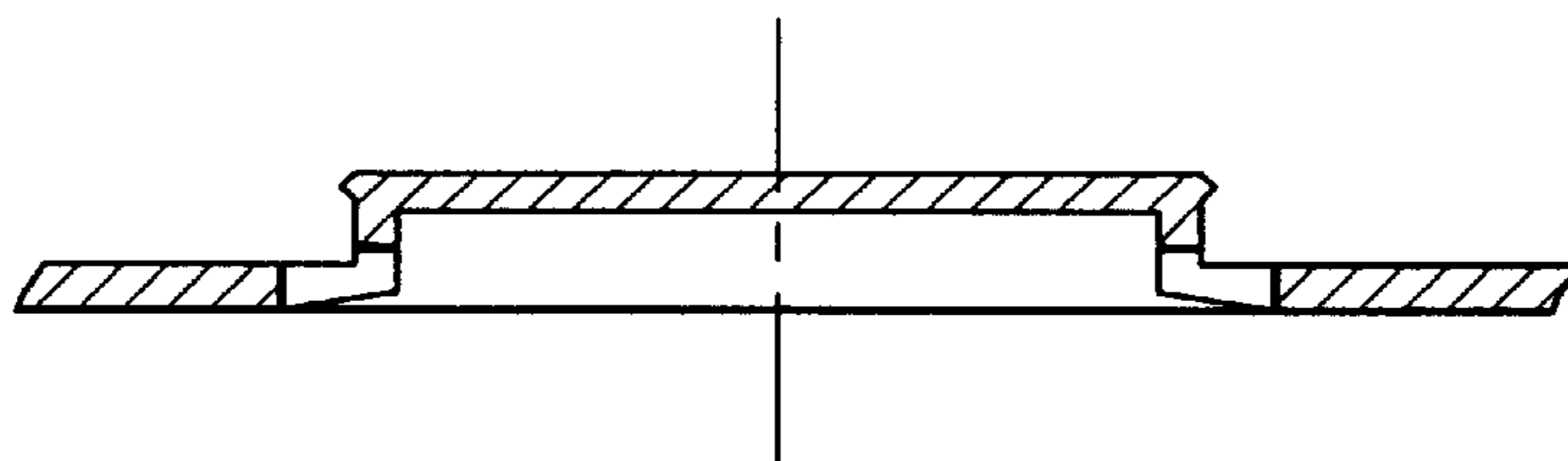


FIG. 4

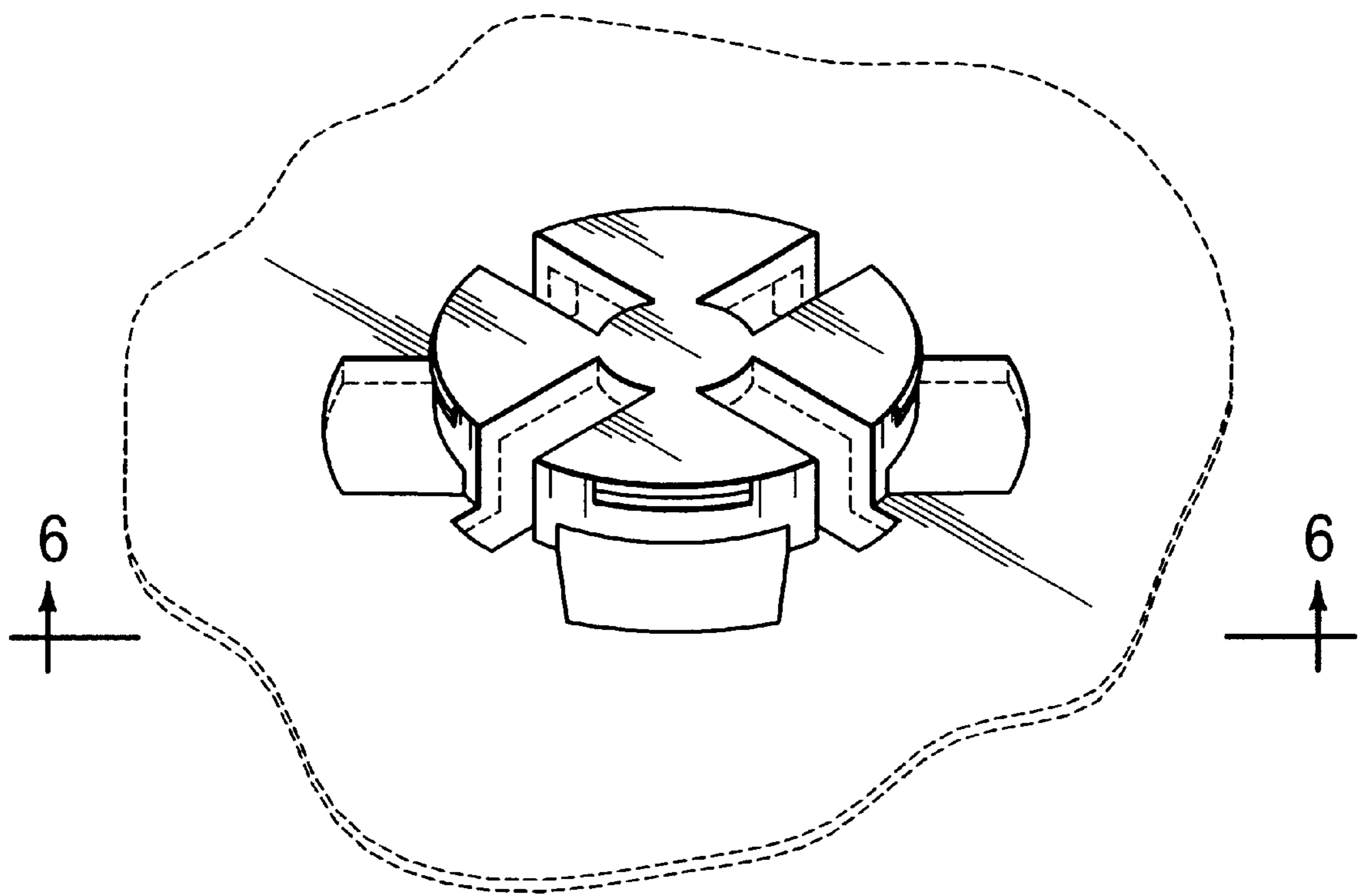


FIG. 5

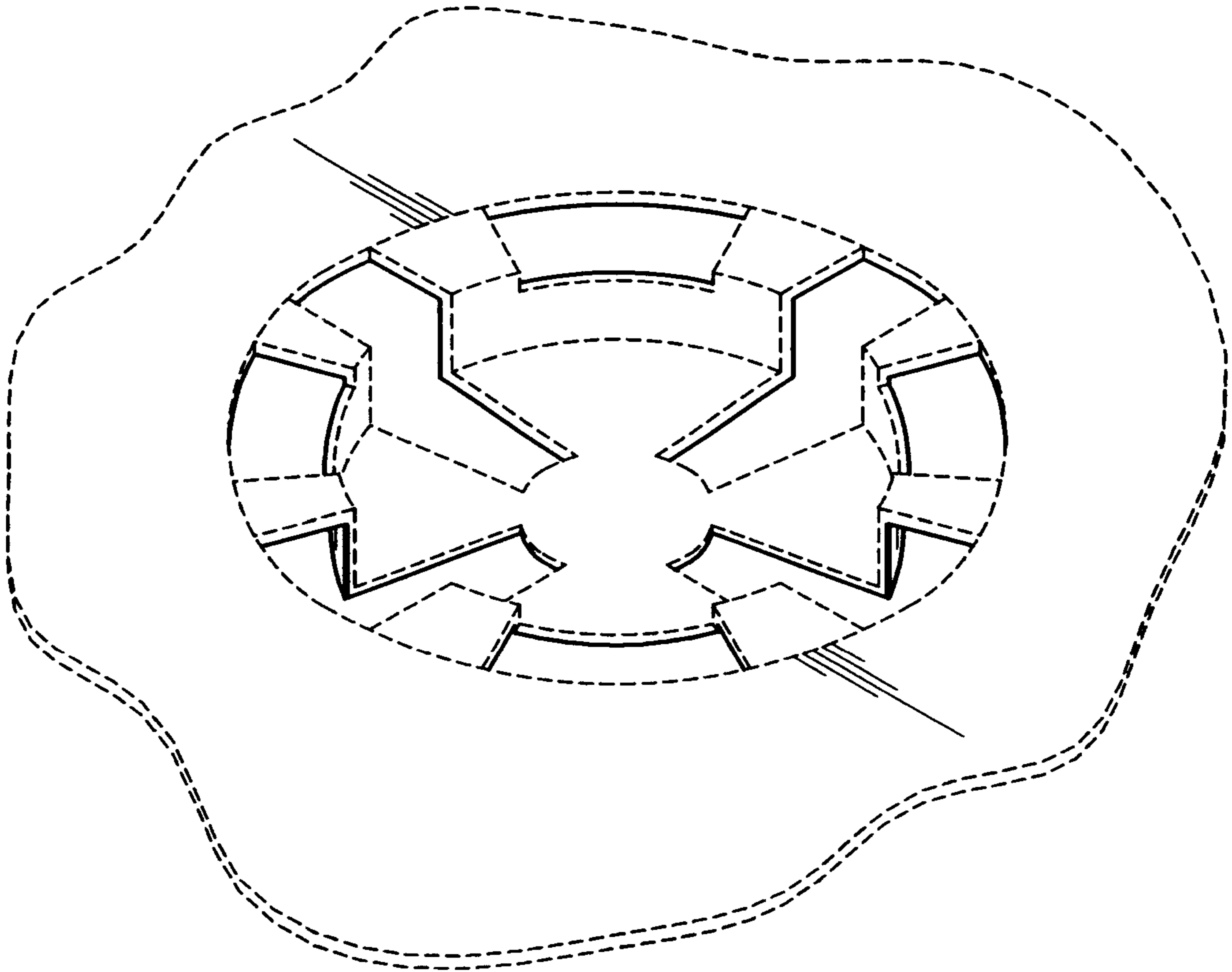


FIG. 6