



US00D485696S

(12) **United States Design Patent**  
**Risdon et al.**

(10) **Patent No.:** **US D485,696 S**  
(45) **Date of Patent:** **\*\* Jan. 27, 2004**

(54) **BED**

(75) Inventors: **Scott M. Risdon**, Greensboro, NC  
(US); **Timothy M. O'Hare**, Oak Ridge,  
NC (US)

(73) Assignee: **Pennsylvania House, Inc.**, Greensboro,  
NC (US)

(\*\*) Term: **14 Years**

(21) Appl. No.: **29/176,463**

(22) Filed: **Feb. 21, 2003**

(51) **LOC (7) Cl.** ..... **06-01**

(52) **U.S. Cl.** ..... **D6/393**

(58) **Field of Search** ..... D6/382-388, 393-395,  
D6/505-508; 5/53.1, 279.1, 280, 281

(56) **References Cited**

**U.S. PATENT DOCUMENTS**

D293,048 S	*	12/1987	Mann	.....	D6/505
D309,387 S	*	7/1990	Marshall	.....	D6/394
D378,963 S	*	4/1997	Mourgue	.....	D6/383
D470,331 S	*	2/2003	Stanton	.....	D6/393

\* cited by examiner

*Primary Examiner*—Janice E. Seeger  
(74) *Attorney, Agent, or Firm*—Harness, Dickey & Pierce,  
P.L.C.

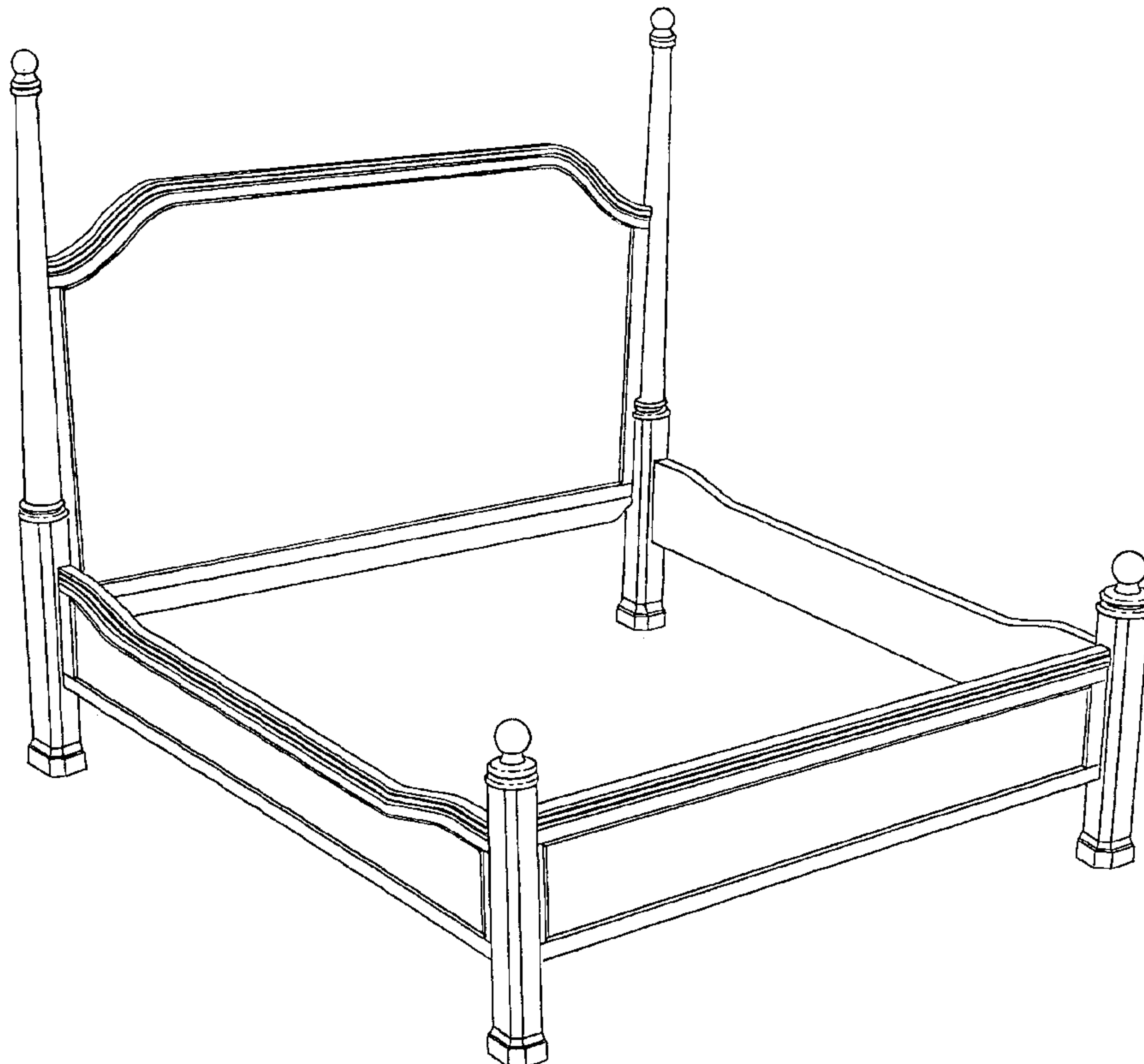
(57) **CLAIM**

The ornamental design for the bed, as shown and described.

**DESCRIPTION**

FIG. 1 is a perspective view of a bed in accordance with the present invention;  
FIG. 2 is a front view of the bed, the back of the bed is not illustrated as it forms no part of the present invention;  
FIG. 3 is a top view of the bed, the bottom of the bed is not illustrated as it forms no part of the present invention;  
FIG. 4 is a right side view of the bed, the left side view being a mirror image thereof;  
FIG. 5 is a perspective view of a second preferred embodiment of the bed in accordance with the present invention, the bed having a black surface treatment applied thereon;  
FIG. 6 is a front view of the bed, the back of the bed is not illustrated as it forms no part of the present invention;  
FIG. 7 is a top view of the bed, the bottom of the bed is not illustrated as it forms no part of the present invention; and,  
FIG. 8 is a right side view of the bed, the left side view being a mirror image thereof.

**1 Claim, 8 Drawing Sheets**



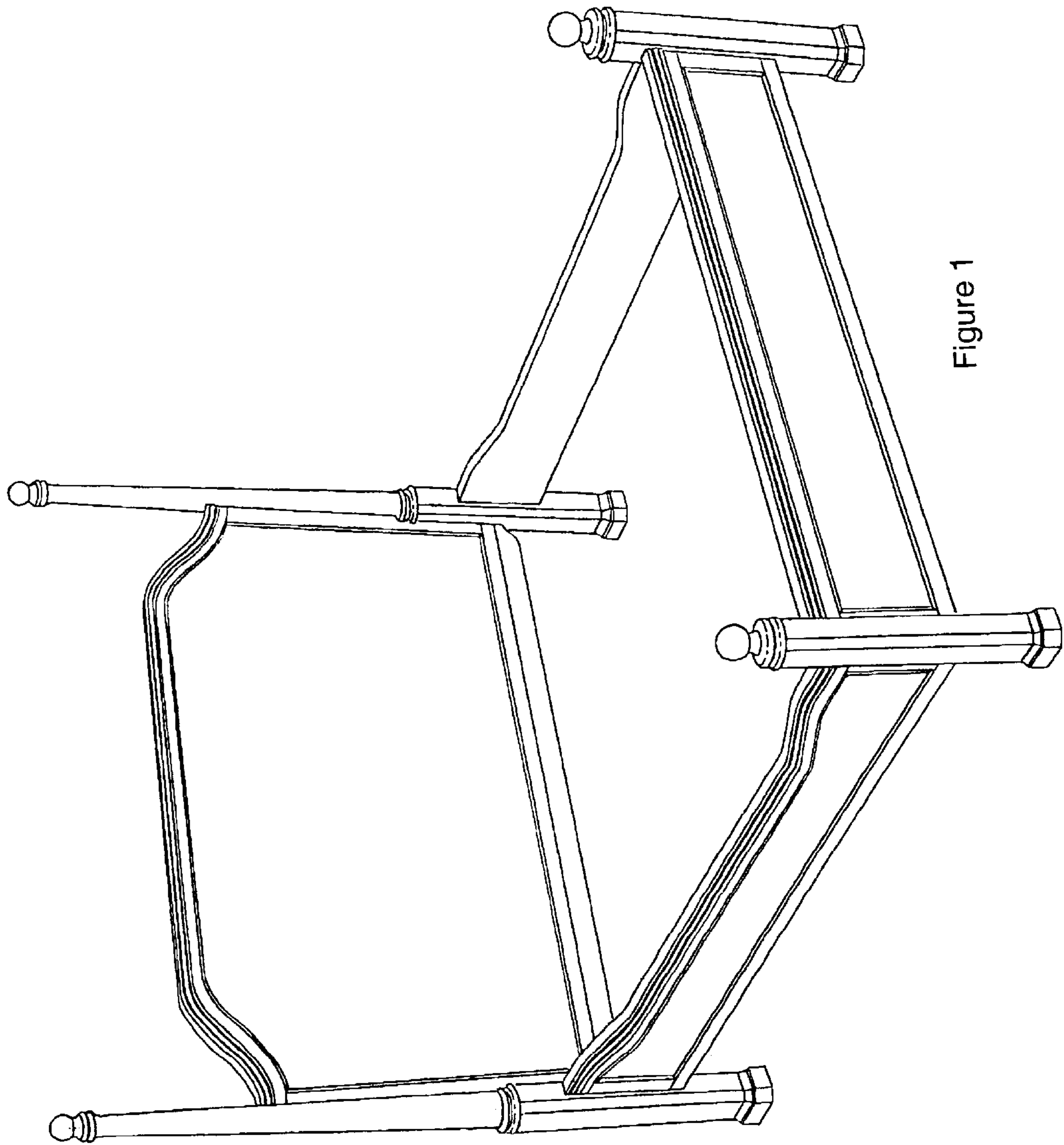


Figure 1

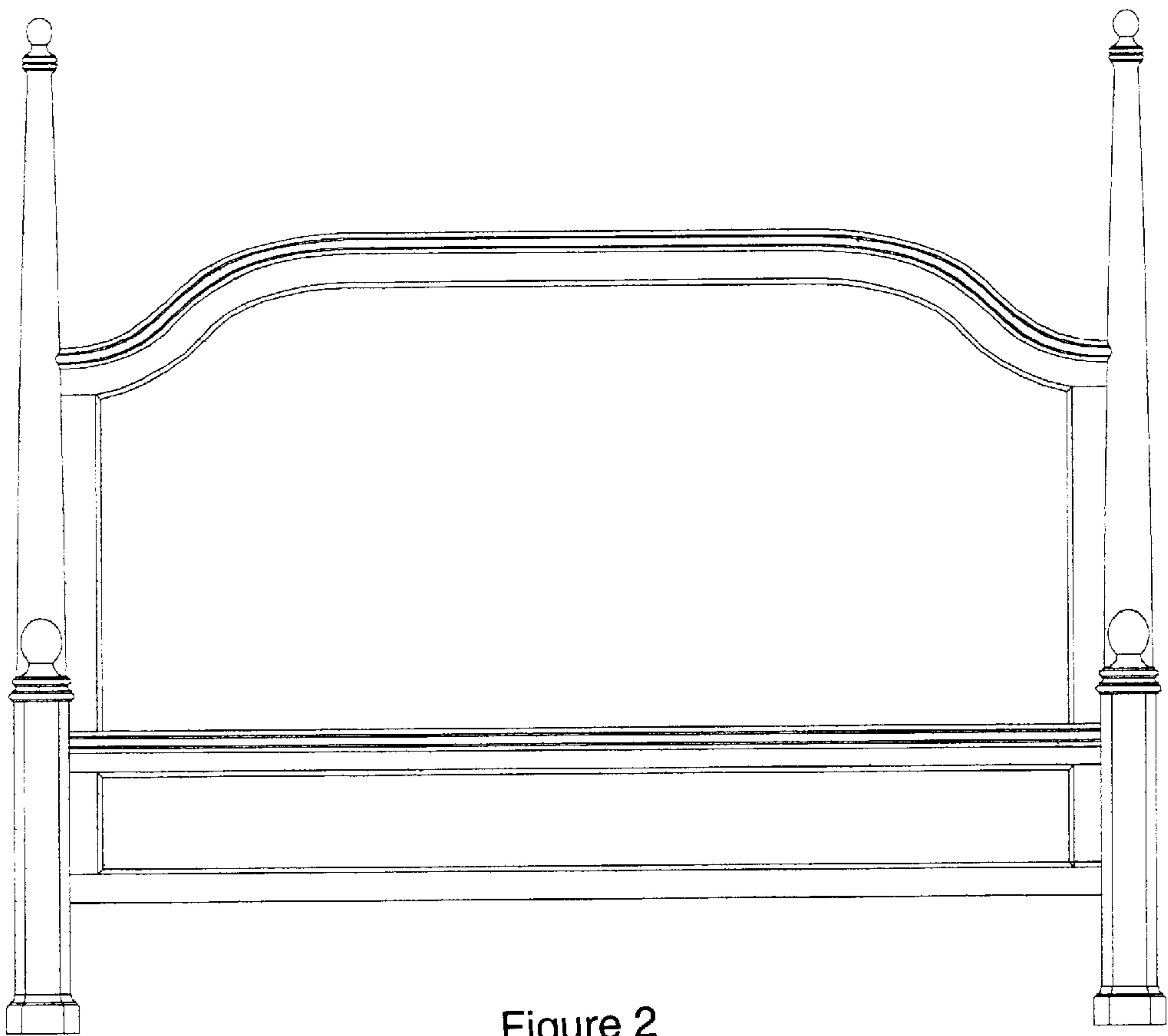
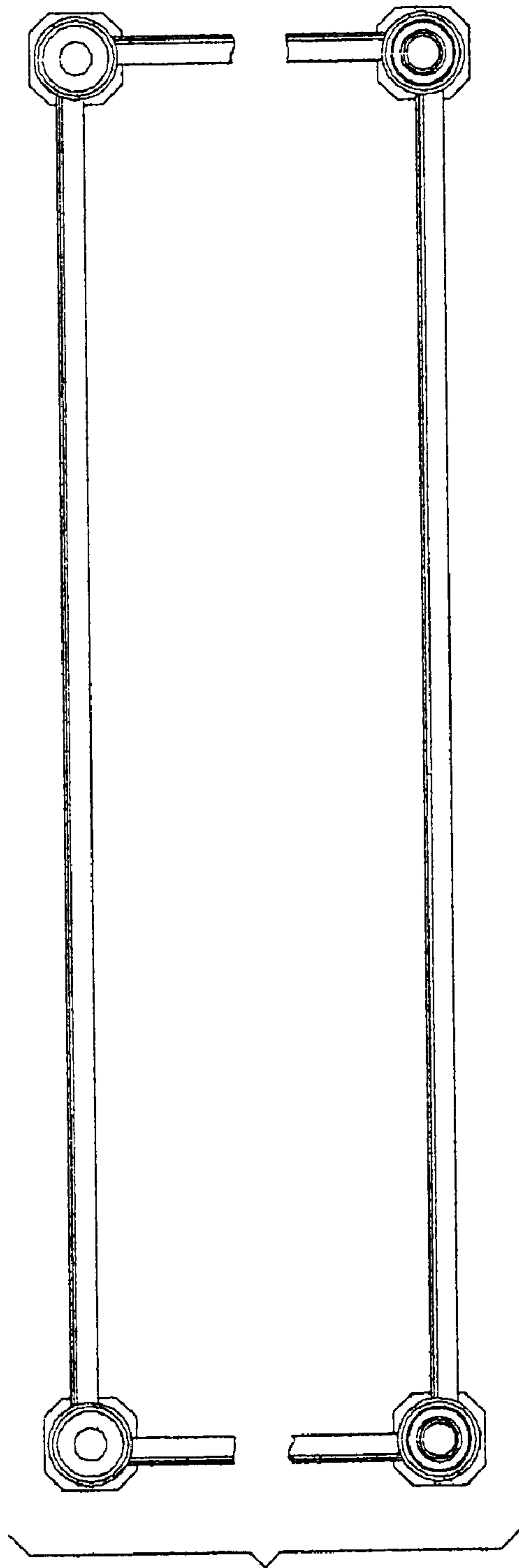
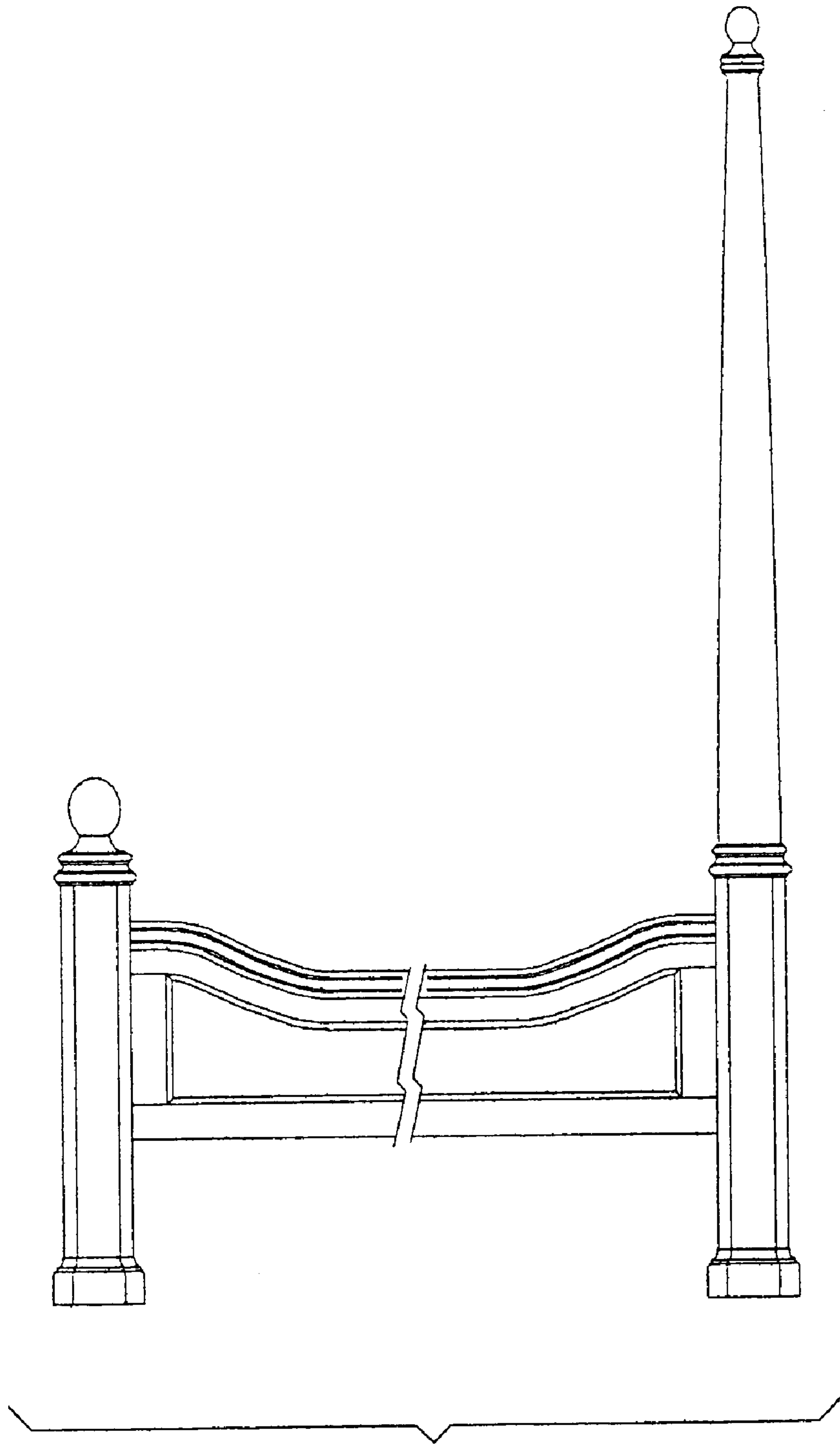


Figure 2



**Figure 3**



**Figure 4**

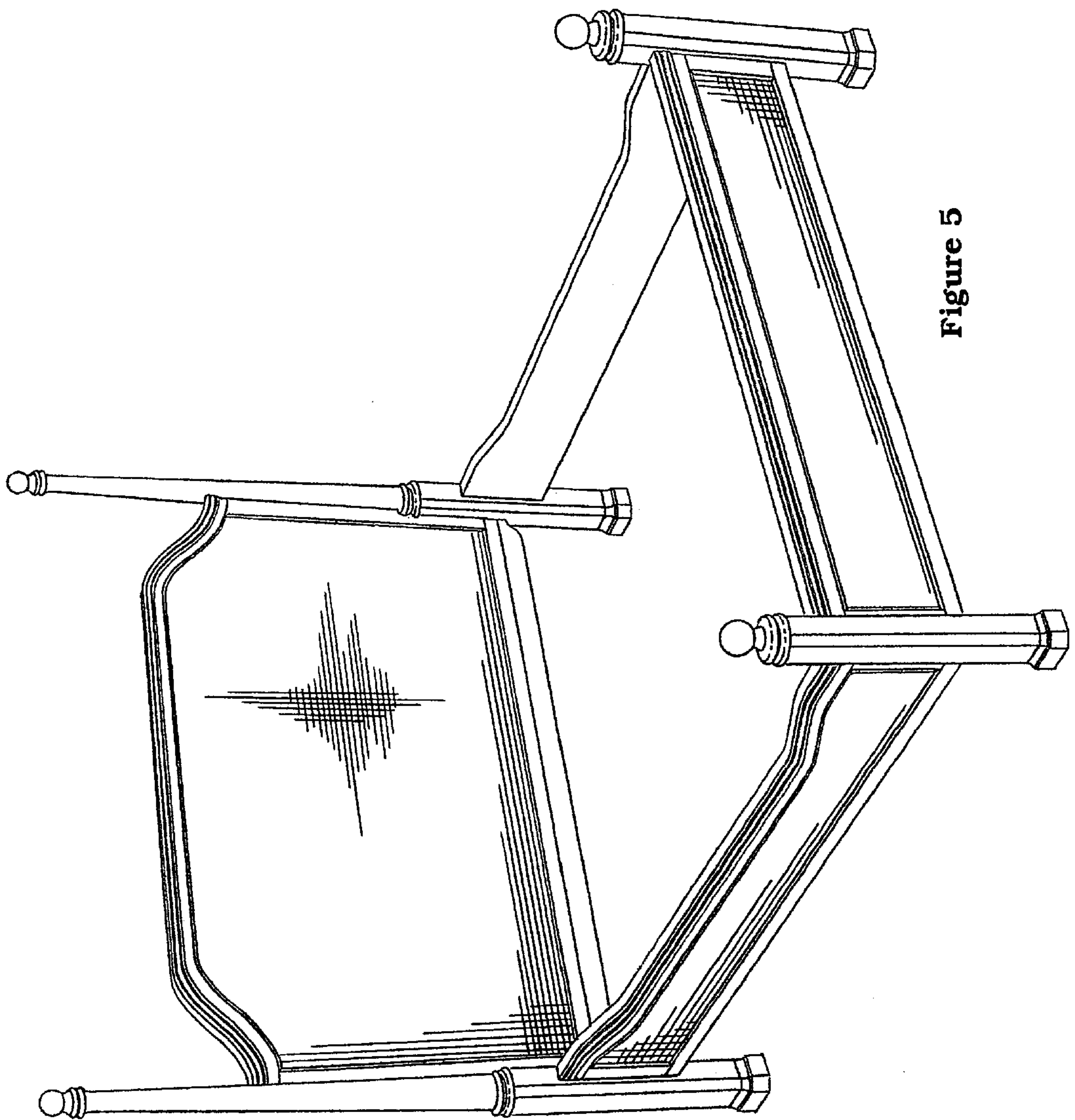


Figure 5



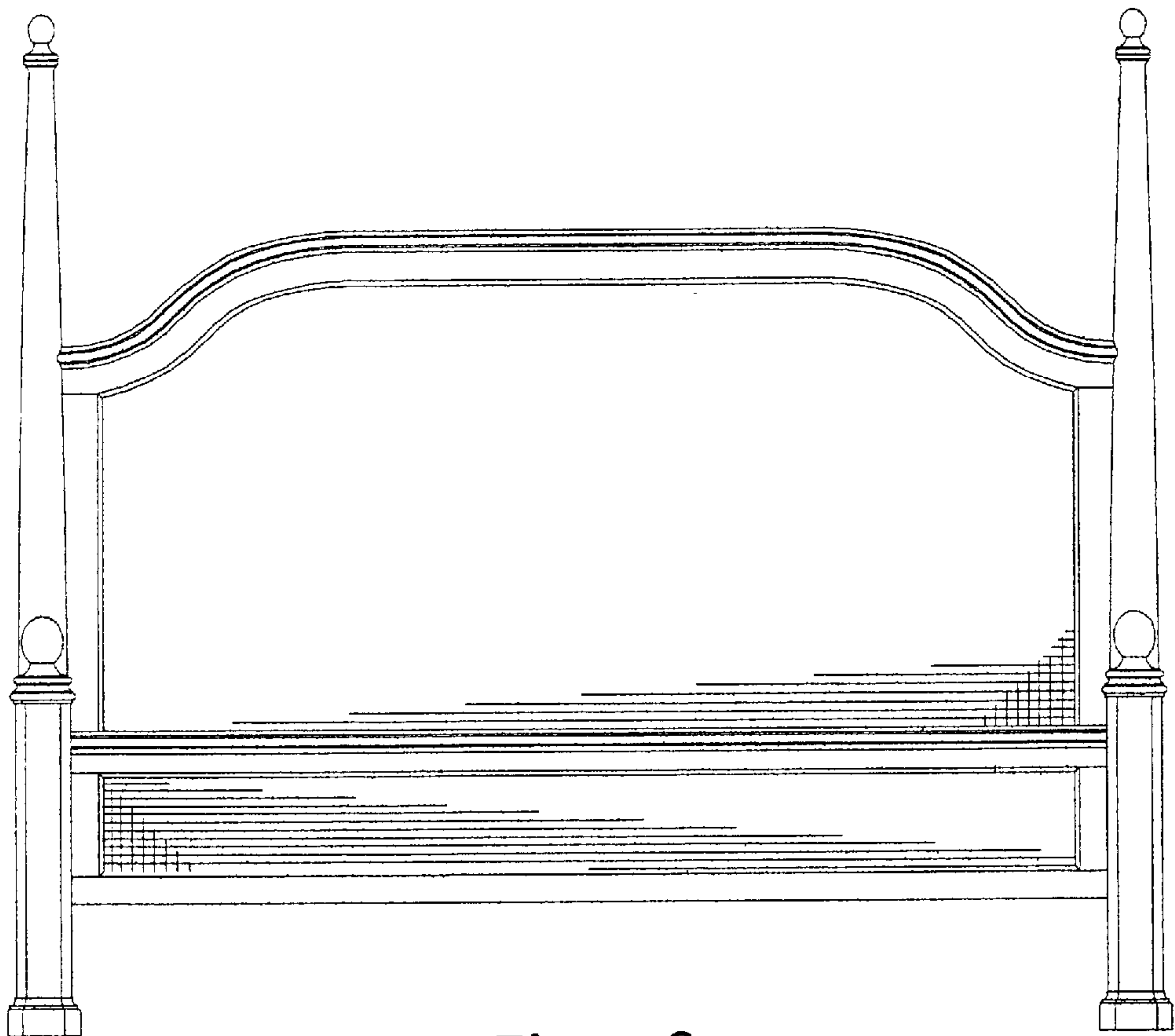
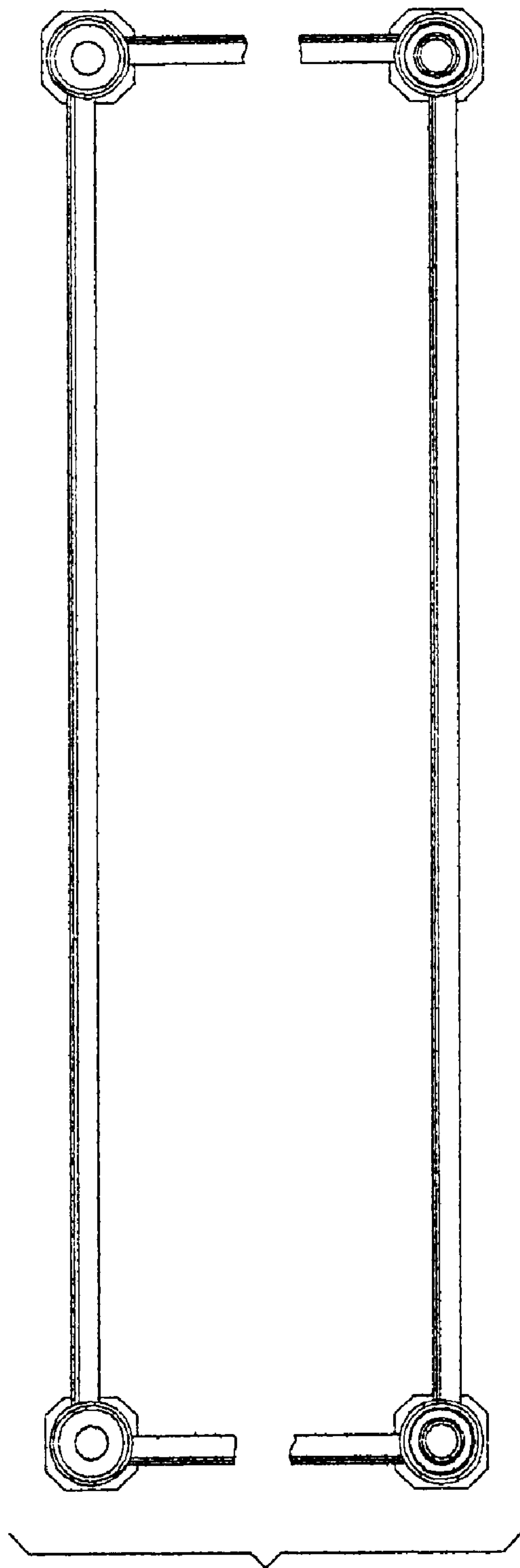
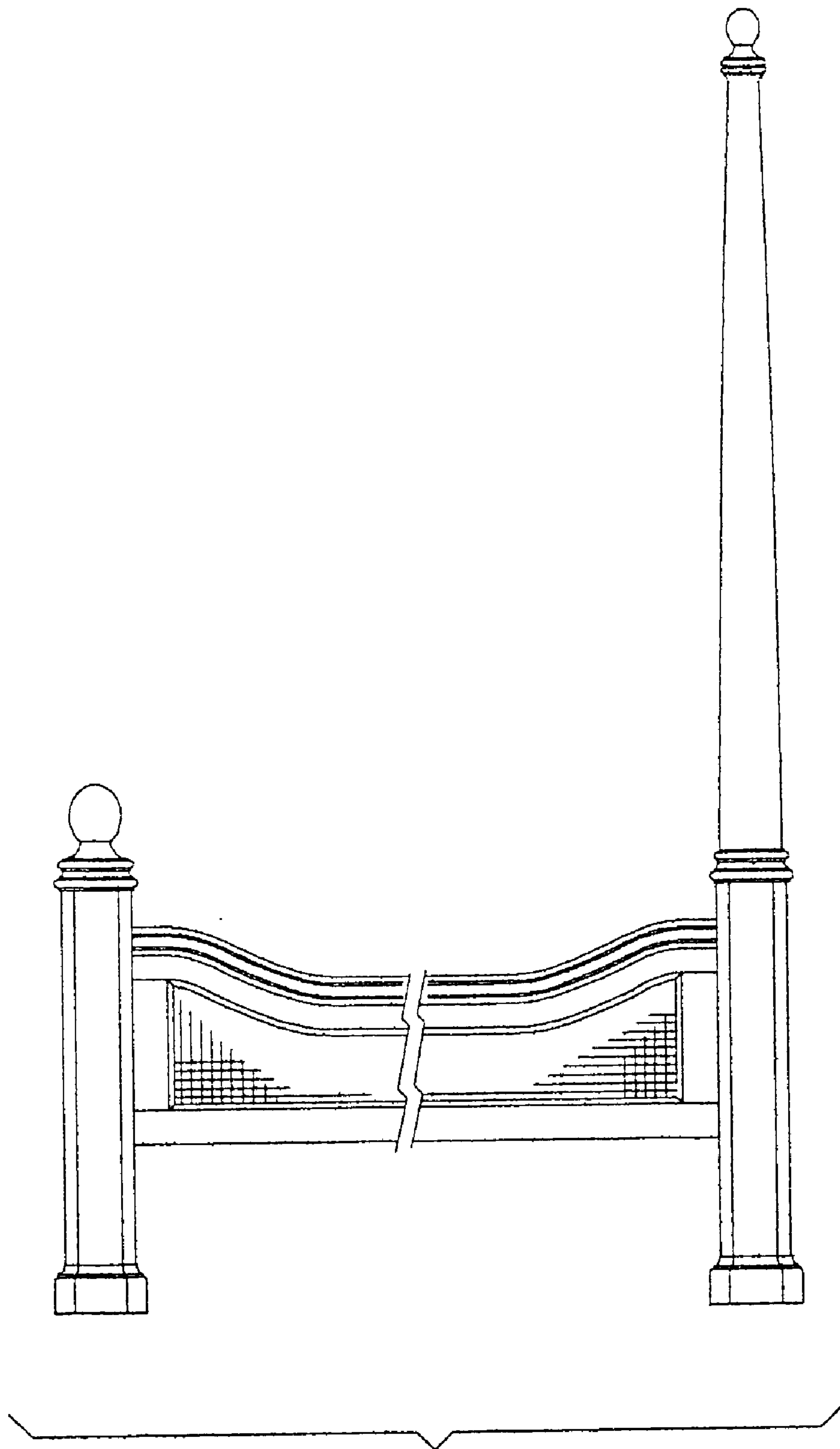


Figure 6



**Figure 7**





**Figure 8**