



US00D485692S

(12) **United States Design Patent** (10) **Patent No.:** **US D485,692 S**
Wanek et al. (45) **Date of Patent:** **** Jan. 27, 2004**

(54) **BENCH**

(75) Inventors: **Ronald G. Wanek**, Arcadia, WI (US);
Randy D. Domack, Trempealeau, WI (US)

(73) Assignee: **Ashley Furniture Industries, Inc.**,
Arcadia, WI (US)

(**) Term: **14 Years**

(21) Appl. No.: **29/177,800**

(22) Filed: **Mar. 14, 2003**

(51) **LOC (7) Cl.** **06-01**

(52) **U.S. Cl.** **D6/355; D6/349**

(58) **Field of Search** D6/349-353, 355;
297/461, 462, 423.1, 423.39, 423.41

(56) **References Cited**

U.S. PATENT DOCUMENTS

D36,206 S	*	1/1903	Pepper	D6/355
D36,207 S	*	1/1903	Pepper	D6/355
D36,208 S		1/1903	Pepper		
D73,211 S		8/1927	Shapiro		
D75,371 S	*	5/1928	Kannaka	D6/349
D365,937 S		1/1996	Skalka		
D371,464 S		7/1996	Lewis		
D376,266 S		12/1996	Lewis		
D457,333 S	*	5/2002	Walters, III et al.	D6/355

OTHER PUBLICATIONS

Henredon, "Natchez—Bed, Bench", www.hendredon.com, Jan. 10, 2003.

Henredon, "Carlyle—Bed, Dresser", www.hendredon.com, Jan. 10, 2003.

Henredon, "Amalfi—Bench", www.hendredon.com, Jan. 10, 2003.

Thomasville Furniture Industries, Inc., "St. Germain Bench", www.thomasville.com, Jan. 10, 2003.

Thomasville Furniture Industries, Inc., "St. Germain Bench", www.thomasville.com, Jan. 10, 2003.

Kohler Interiors, "Window Seat", www.kohlerinteriors.com, Jan. 10, 2003.

* cited by examiner

Primary Examiner—Janice E. Seeger

(74) *Attorney, Agent, or Firm*—Patterson, Thunte, Skaar & Christensen, P.A.

(57) **CLAIM**

The ornamental design for a bench, as shown and described.

DESCRIPTION

FIG. 1 is a right front perspective view of a bench showing the design of the present invention.

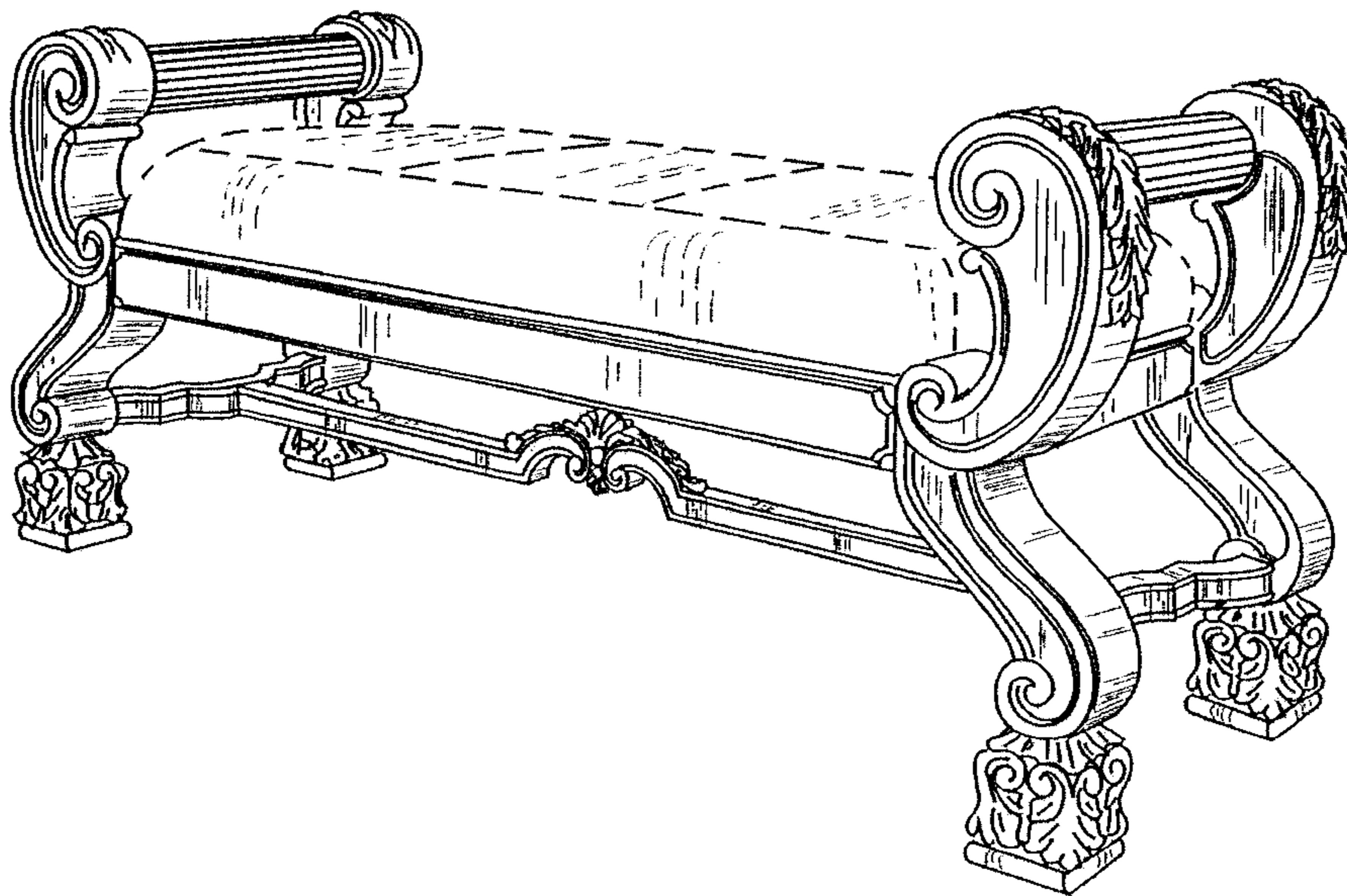
FIG. 2 is a front elevation view of a bench showing the design of the present invention.

FIG. 3 is a right side elevation view of a bench showing the design of the present invention; and,

FIG. 4 is a top view of a bench showing the design of the present invention.

The dashed lines represent environmental elements only and form no part of the claimed design.

1 Claim, 3 Drawing Sheets



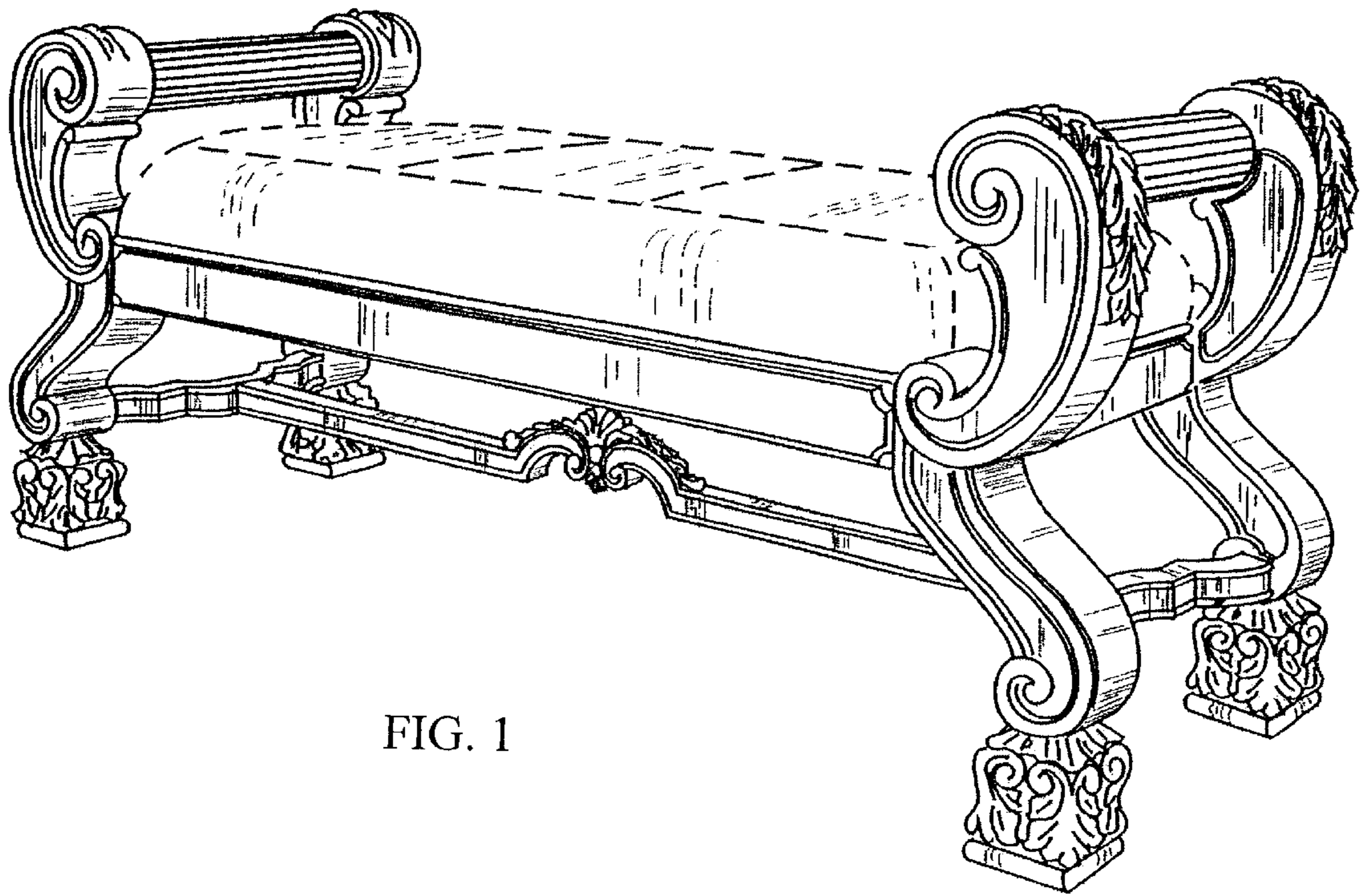


FIG. 1

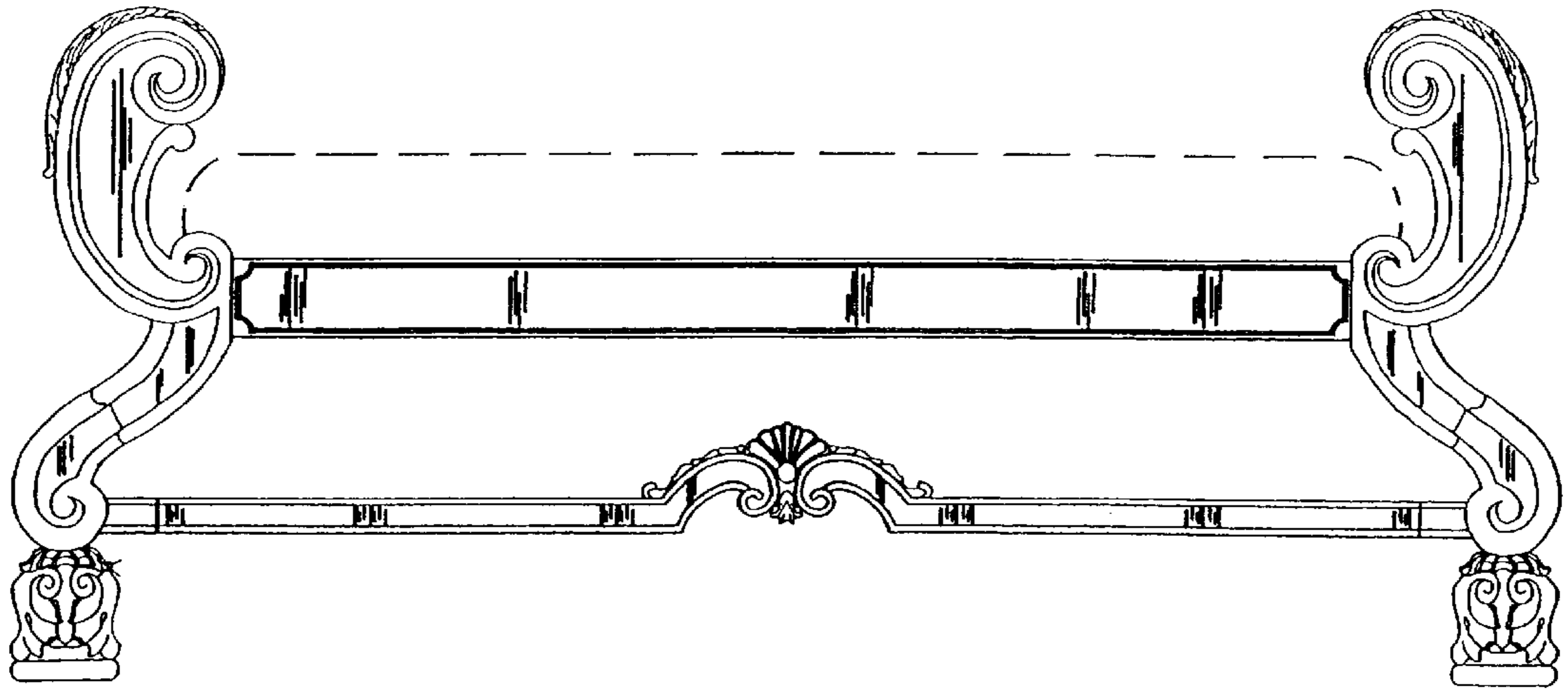


FIG. 2

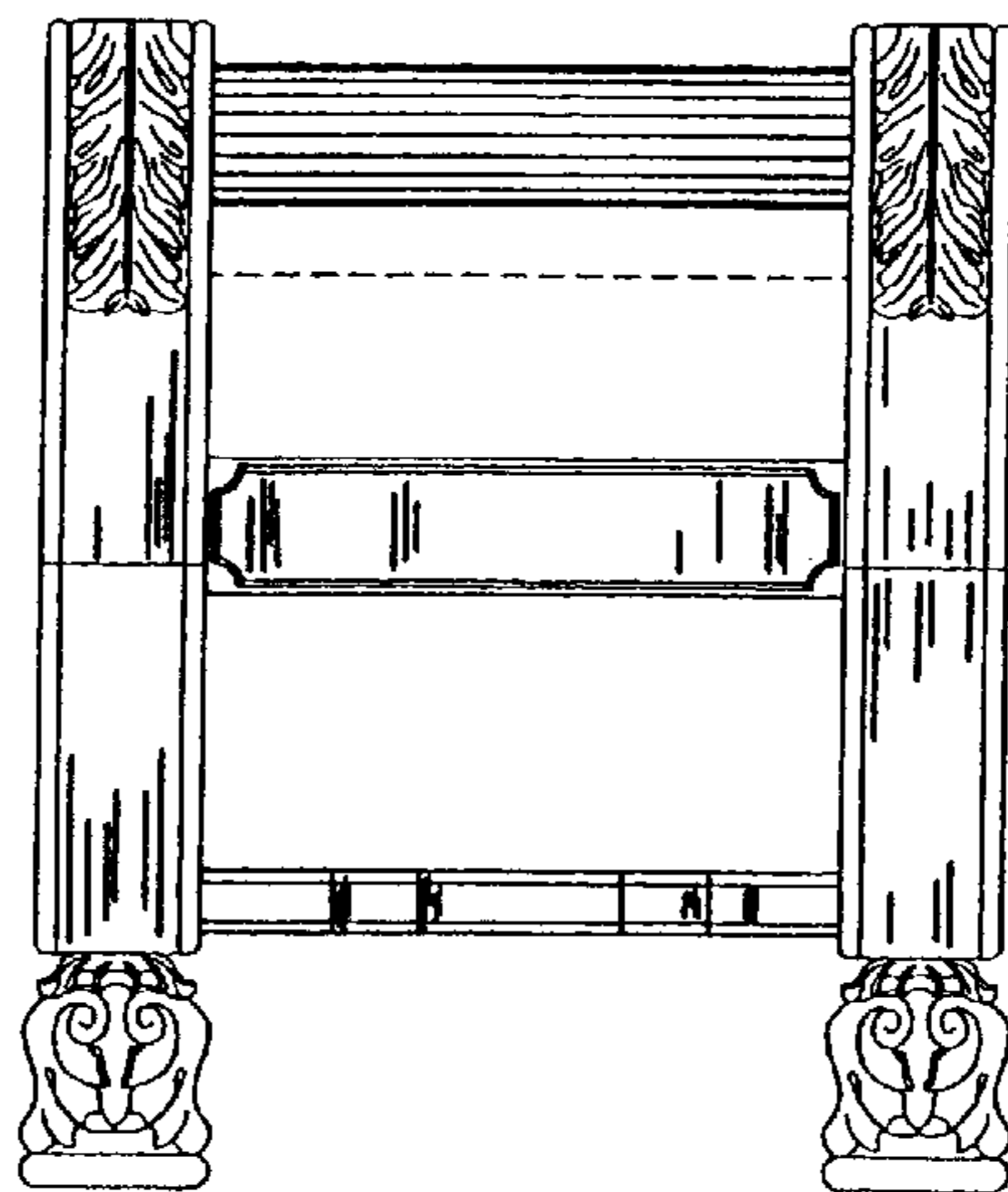


FIG. 3

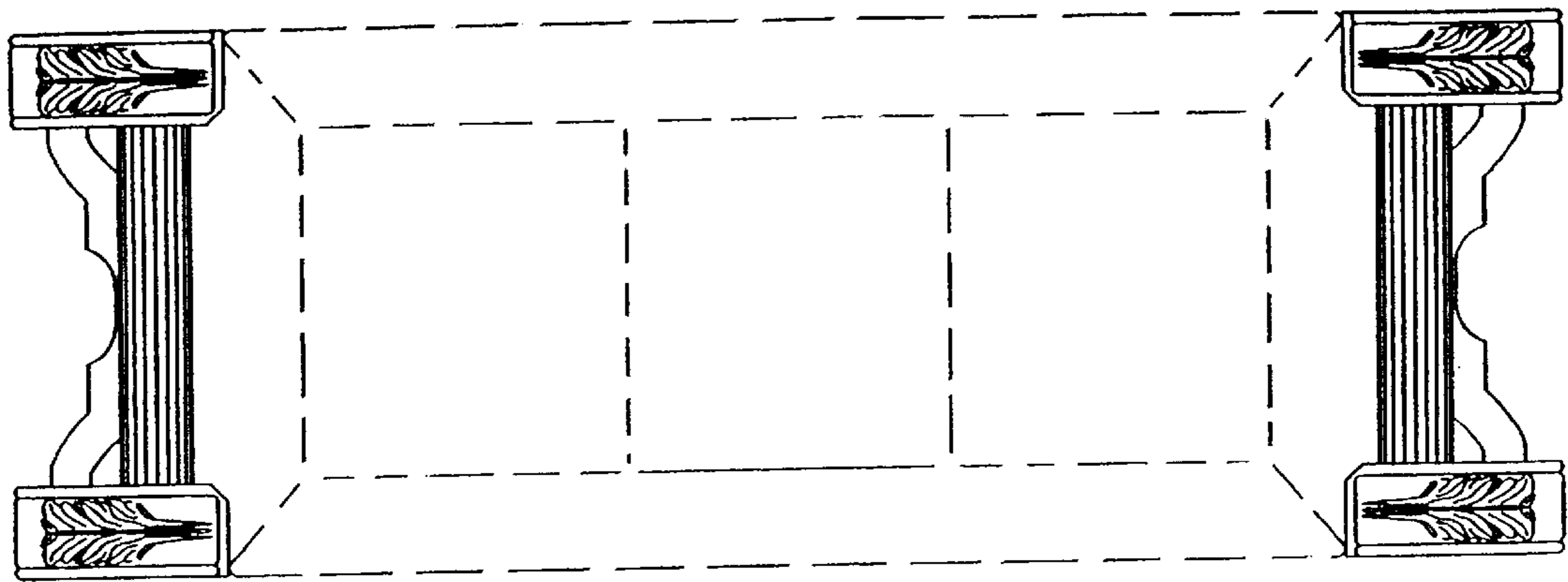


FIG. 4