



US00D485686S

(12) **United States Design Patent**
Stein

(10) **Patent No.:** **US D485,686 S**

(45) **Date of Patent:** **** Jan. 27, 2004**

(54) **BILLIARDS SHOWROOM DIVIDER**

(75) **Inventor:** **Sanford B. Stein**, Minnetonka, MN
(US)

(73) **Assignee:** **Brunswick Bowling & Billiards Corp.**,
Muskegon, MI (US)

(**) **Term:** **14 Years**

(21) **Appl. No.:** **29/167,074**

(22) **Filed:** **Sep. 9, 2002**

(51) **LOC (7) Cl.** **06-04**

(52) **U.S. Cl.** **D6/332; D6/300; D6/505**

(58) **Field of Search** D6/332, 329, 396-398,
D6/400, 418, 432, 447, 491, 492, 509,
511, 300, 444, 505; D19/20; D25/58; 160/351,
352; 312/224; 52/633, 645, 646

(56) **References Cited**

U.S. PATENT DOCUMENTS

D242,099 S * 11/1976 Casey D6/332
D242,100 S * 11/1976 Casey D6/332
D287,799 S * 1/1987 Brunner et al. D6/505

D306,098 S * 2/1990 Jones et al. D6/332
D410,792 S * 6/1999 Zaidman D6/300
D420,223 S * 2/2000 Chipman et al. D6/332
D421,541 S * 3/2000 Zaidman D6/505
D424,848 S * 5/2000 Draheim et al. D6/505
D429,431 S * 8/2000 Zaidman D6/491

* cited by examiner

Primary Examiner—Cathron C. Brooks

(74) *Attorney, Agent, or Firm*—Dykema Gossett PLLC

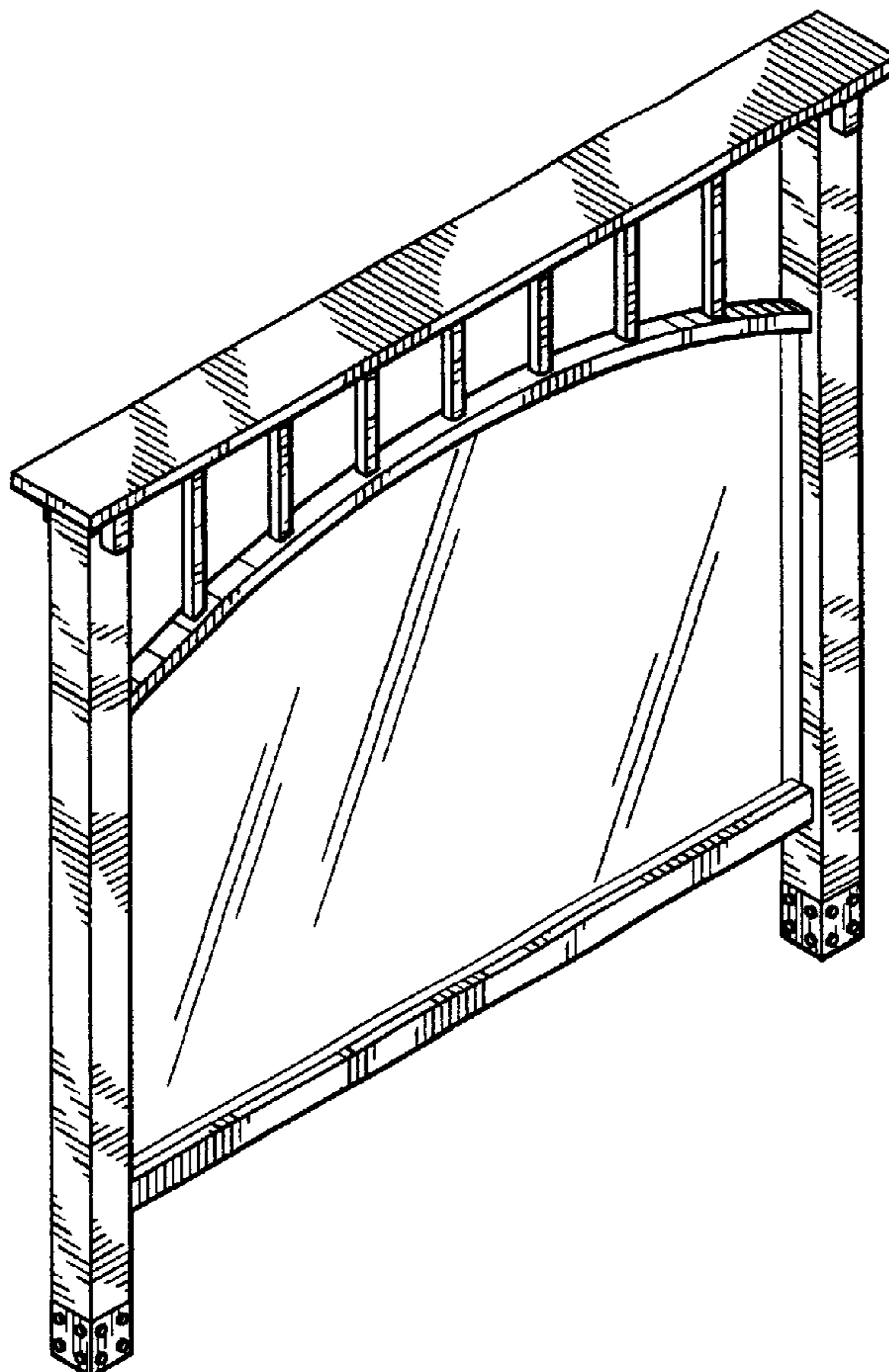
(57) **CLAIM**

The ornamental design for a billiards showroom divider, as shown and described.

DESCRIPTION

FIG. 1 is a perspective view of a billiards showroom divider, showing my new design;
FIG. 2 is a front elevational view thereof, wherein the rear elevational view is identical;
FIG. 3 is a top plan view;
FIG. 4 is a left-hand side elevational, wherein the right-hand side elevational view is identical; and,
FIG. 5 is a vertical cross-sectional view thereof.

1 Claim, 2 Drawing Sheets



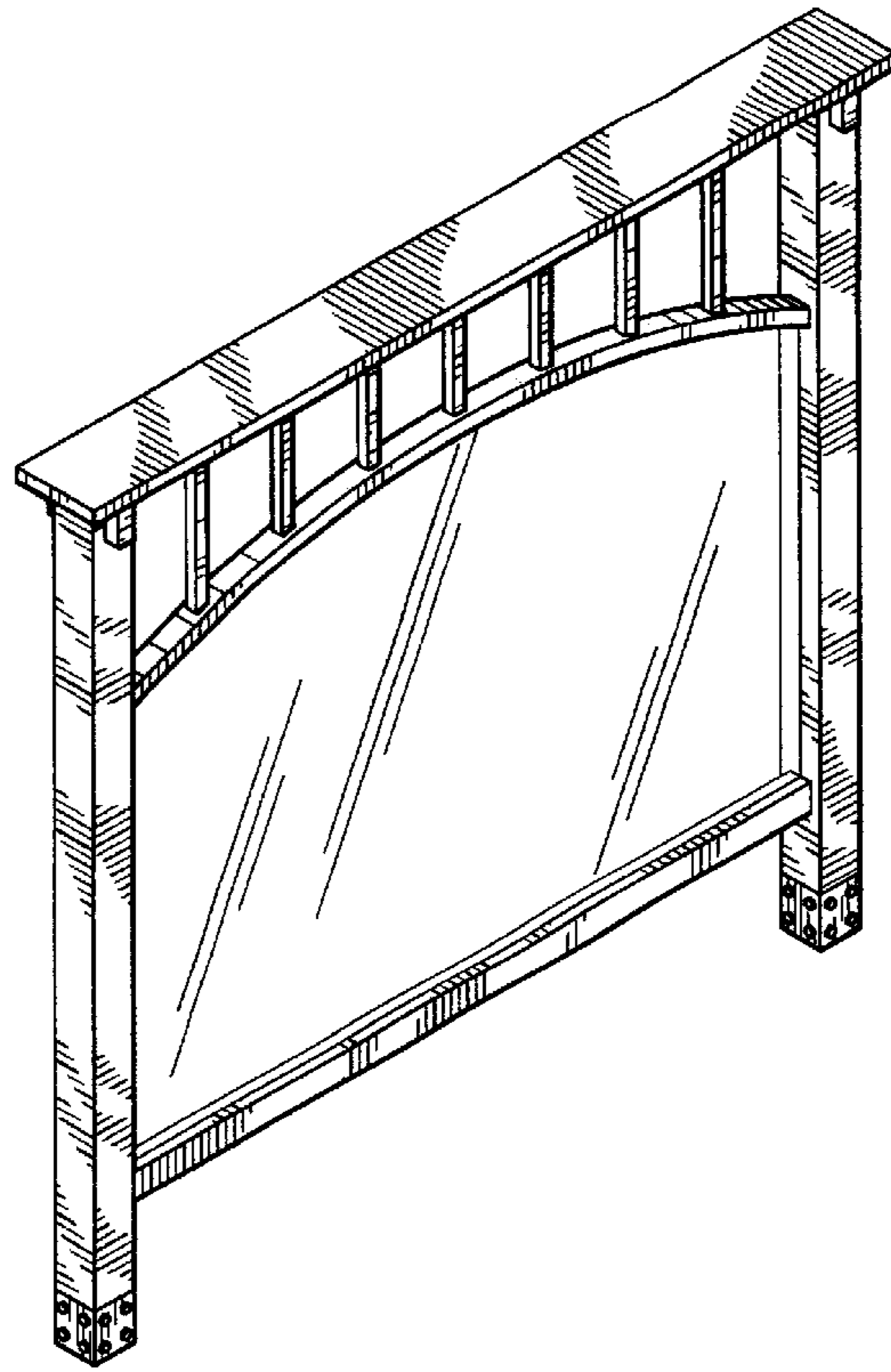


Fig. 1

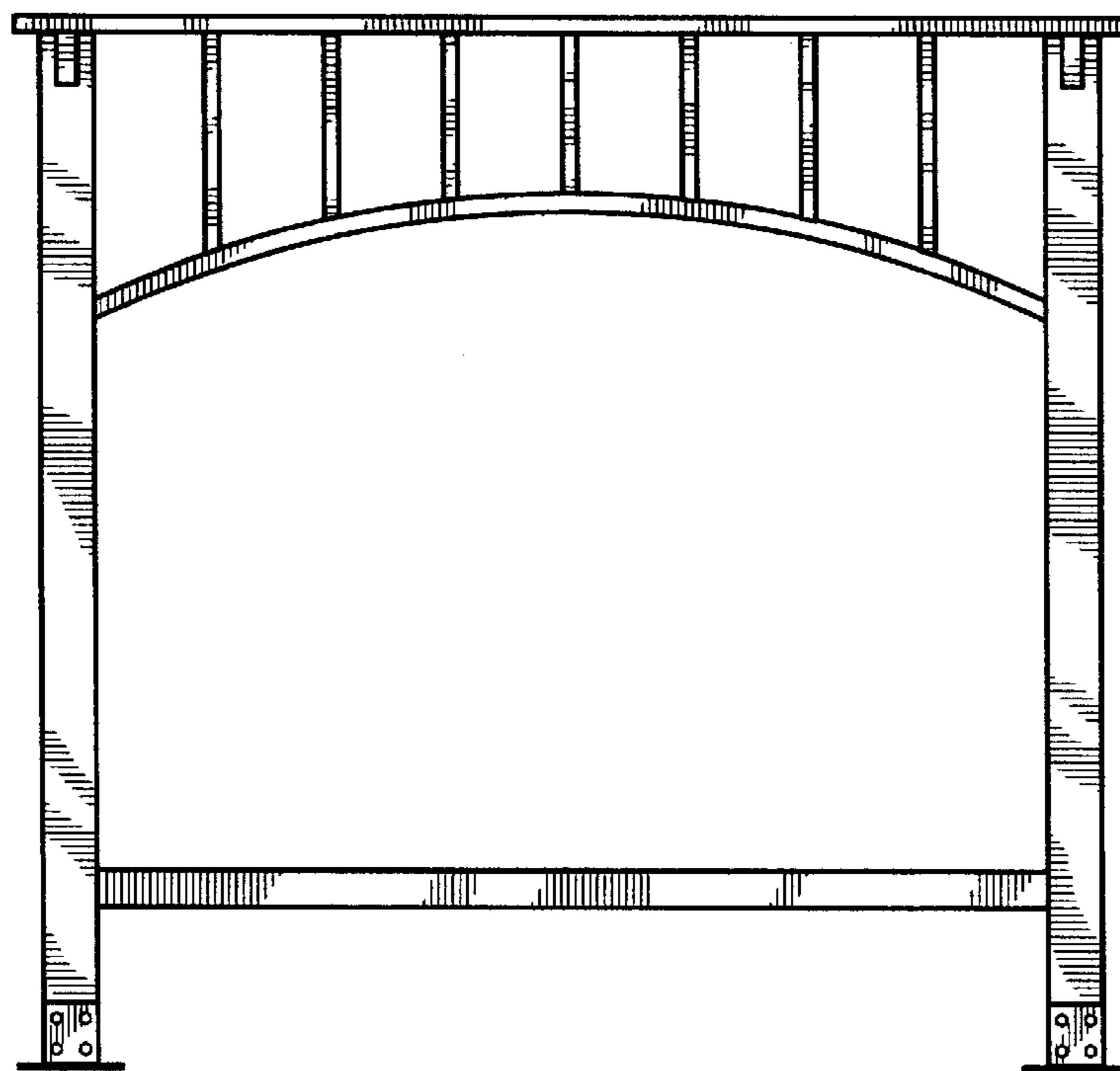


Fig. 2

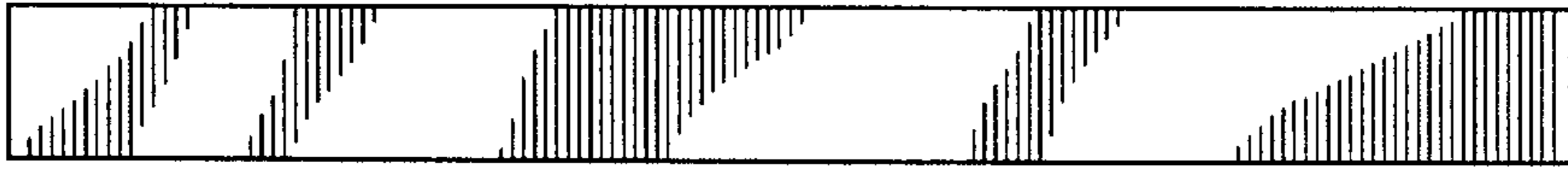


Fig. 3

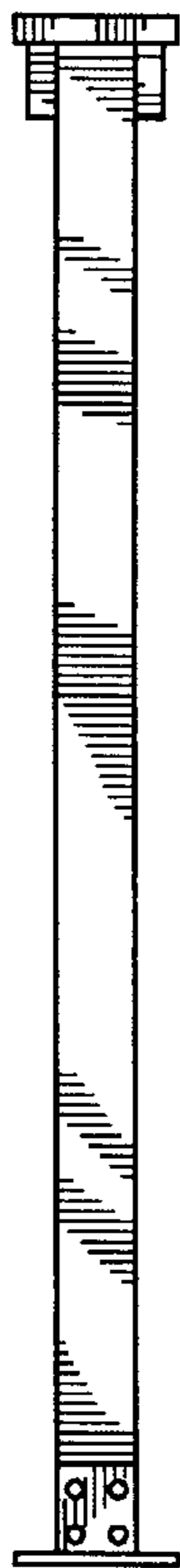


Fig. 4

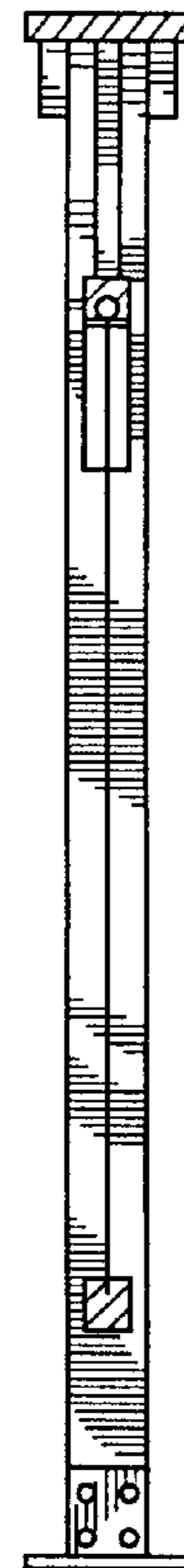


Fig. 5