



US00D485682S

(12) **United States Design Patent**
Wolf

(10) **Patent No.:** **US D485,682 S**

(45) **Date of Patent:** **** Jan. 27, 2004**

(54) **JEWELRY BOX**

(75) Inventor: **Simon Wolf**, Malibu, CA (US)

(73) Assignee: **Wolf Designs, Inc.**, Malibu, CA (US)

(**) Term: **14 Years**

(21) Appl. No.: **29/178,386**

(22) Filed: **Mar. 24, 2003**

(51) **LOC (7) Cl.** **03-01**

(52) **U.S. Cl.** **D3/295; D3/296; D3/291;**
D3/903

(58) **Field of Search** D3/273, 276, 284,
D3/291, 294, 295, 296, 297, 903; 190/102,
109, 110, 111, 112, 113; 206/6.1, 235, 457,
566, 581

(56) **References Cited**

U.S. PATENT DOCUMENTS

D325,123 S	*	4/1992	Tiramani	D3/275
5,692,605 A	*	12/1997	Lai	206/6.1
D417,783 S	*	12/1999	Wolf	D3/297
D418,298 S	*	1/2000	Wolf	D3/297
D451,671 S	*	12/2001	Wolf	D3/275
D454,687 S	*	3/2002	Wolf	D3/275

D455,550 S * 4/2002 Wolf D3/275

D455,902 S * 4/2002 Wolf D3/275

D457,315 S * 5/2002 Wolf D3/290

D467,427 S * 12/2002 Wolf D3/289

D467,428 S * 12/2002 Wolf D3/291

* cited by examiner

Primary Examiner—Philip S. Hyder

(74) *Attorney, Agent, or Firm*—Cislo & Thomas LLP

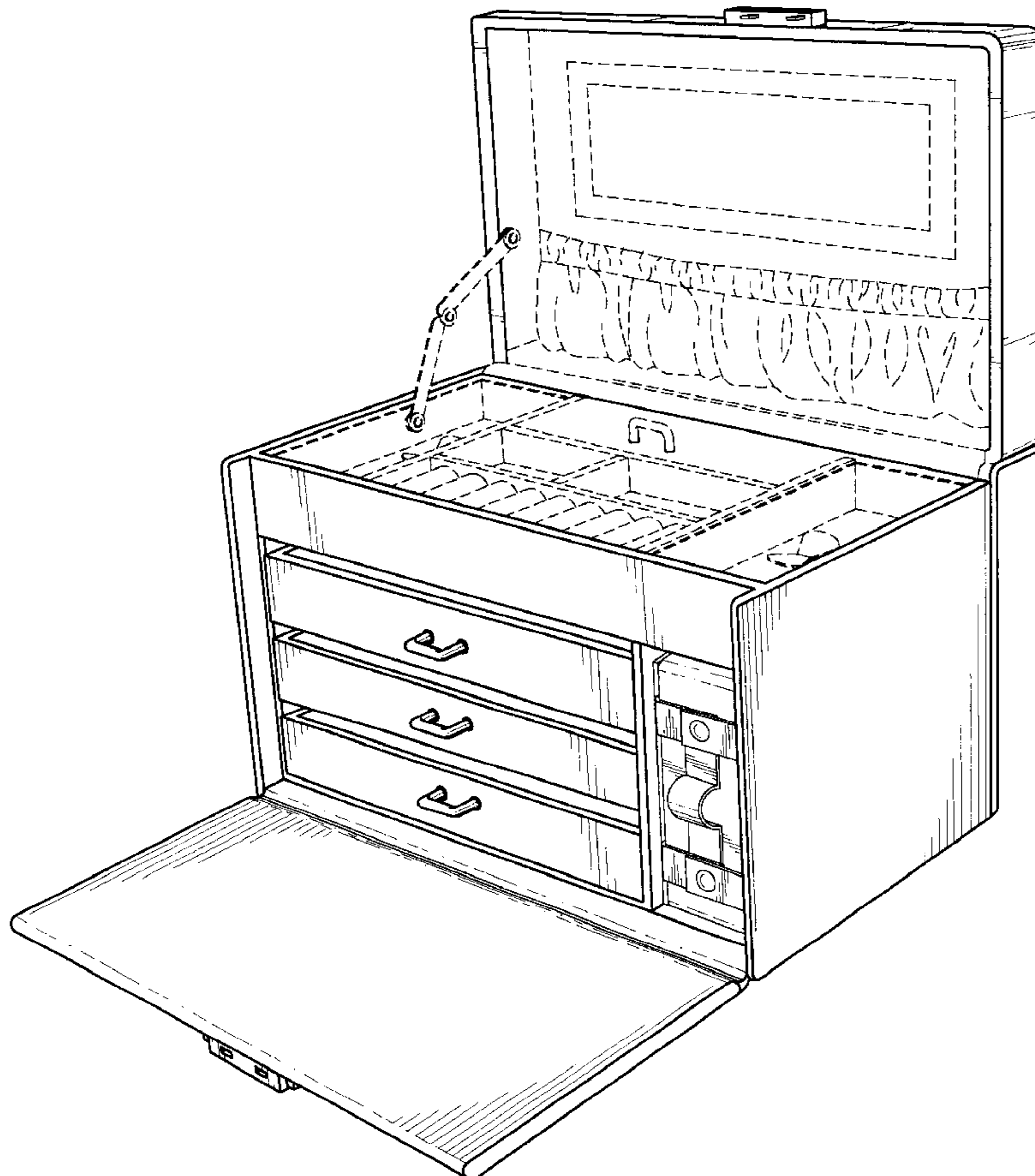
(57) **CLAIM**

The ornamental design for a jewelry box, as shown and described herein.

DESCRIPTION

FIG. 1. Is a perspective view of my jewelry box shown in the open position with the dotted lines showing being for illustrative purposes only and for which no claim is made; FIG. 2. Is a front perspective view of my jewelry box as shown in the closed position; FIG. 3. Is a top view thereof; FIG. 4. Is a bottom view thereof; FIG. 5. Is a front view thereof; FIG. 6. Is a rear view thereof; FIG. 7. Is a right side elevational view thereof; and, FIG. 8. Is the left side elevational view thereof.

1 Claim, 5 Drawing Sheets



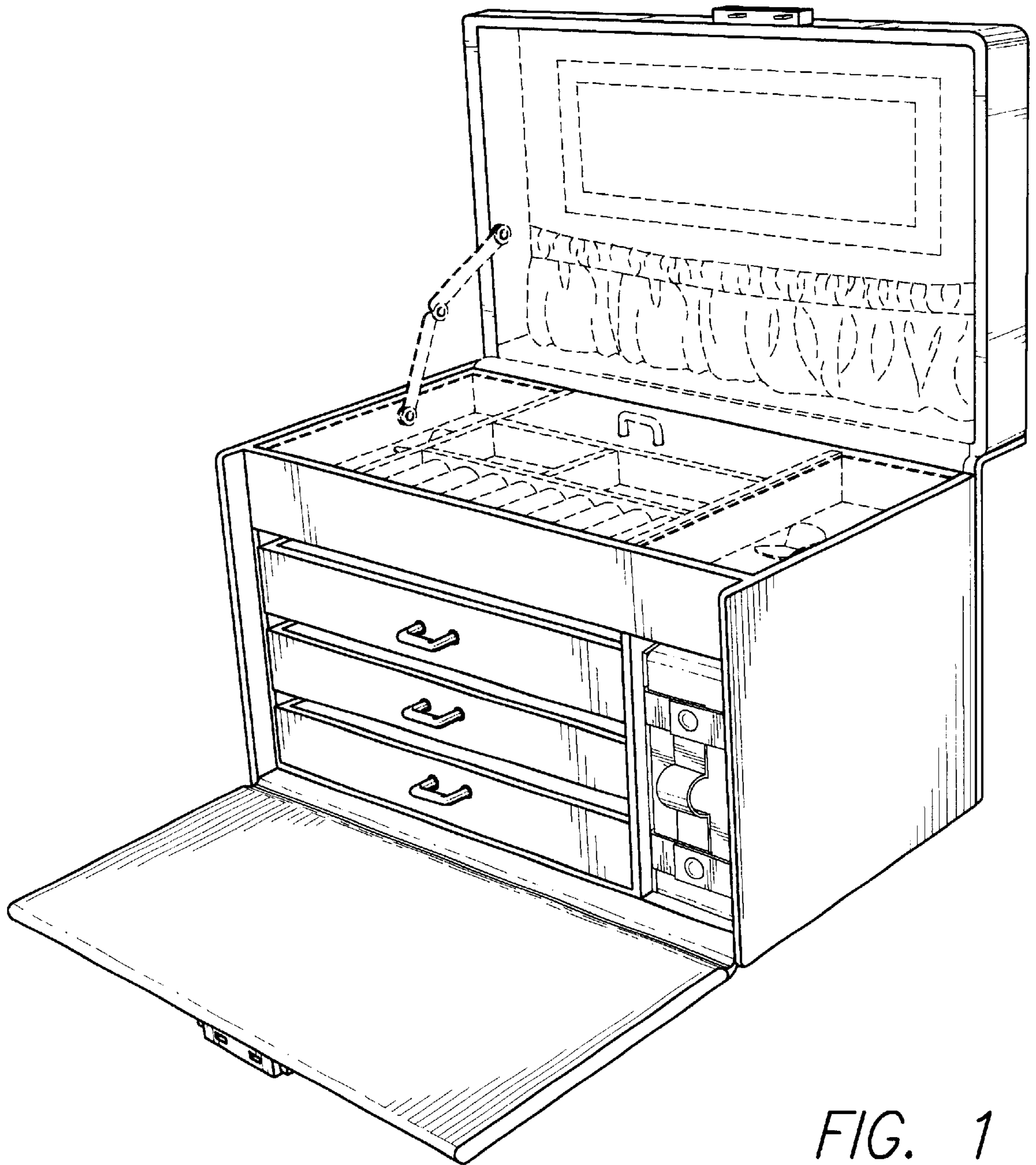


FIG. 1

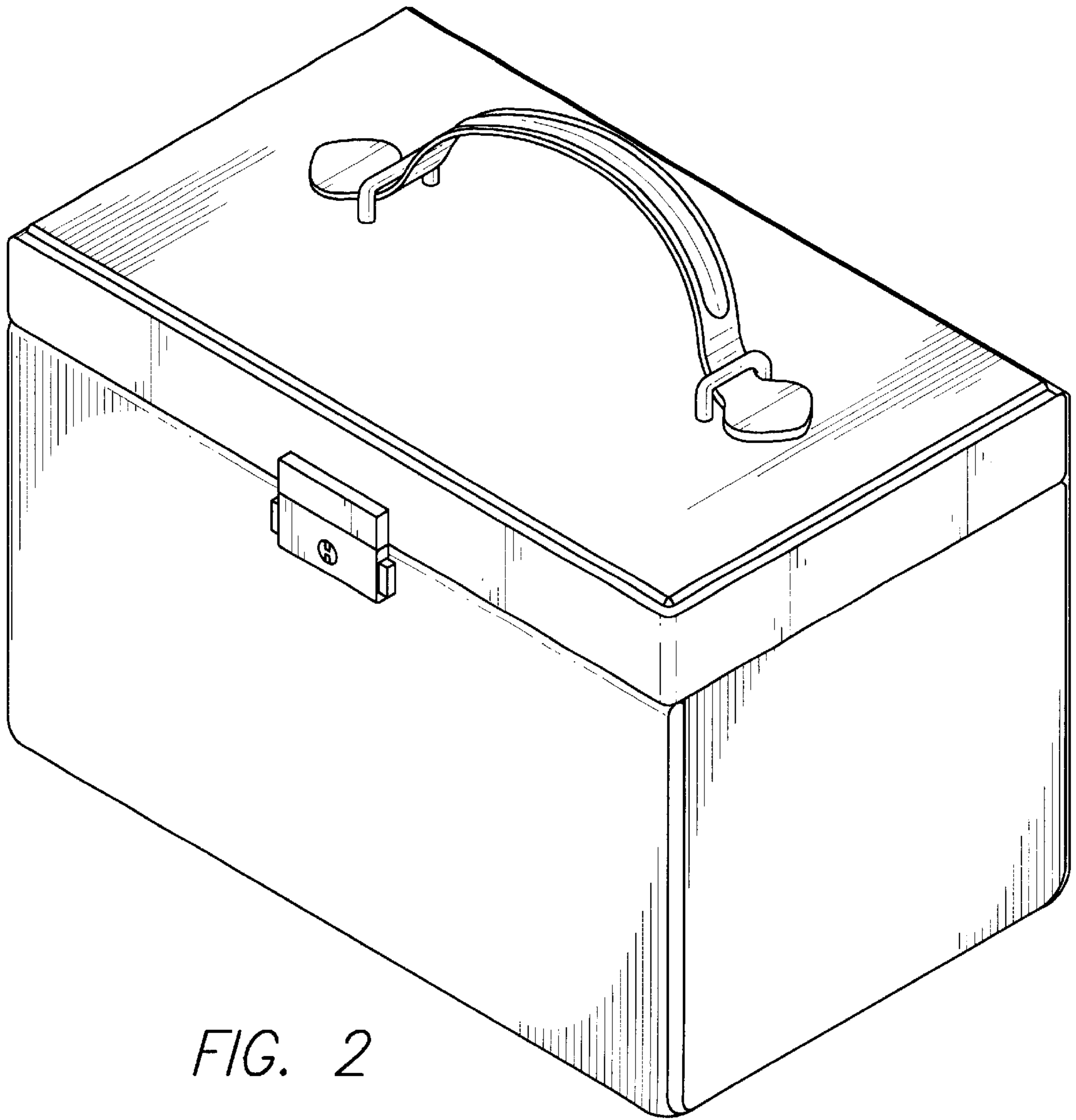


FIG. 2

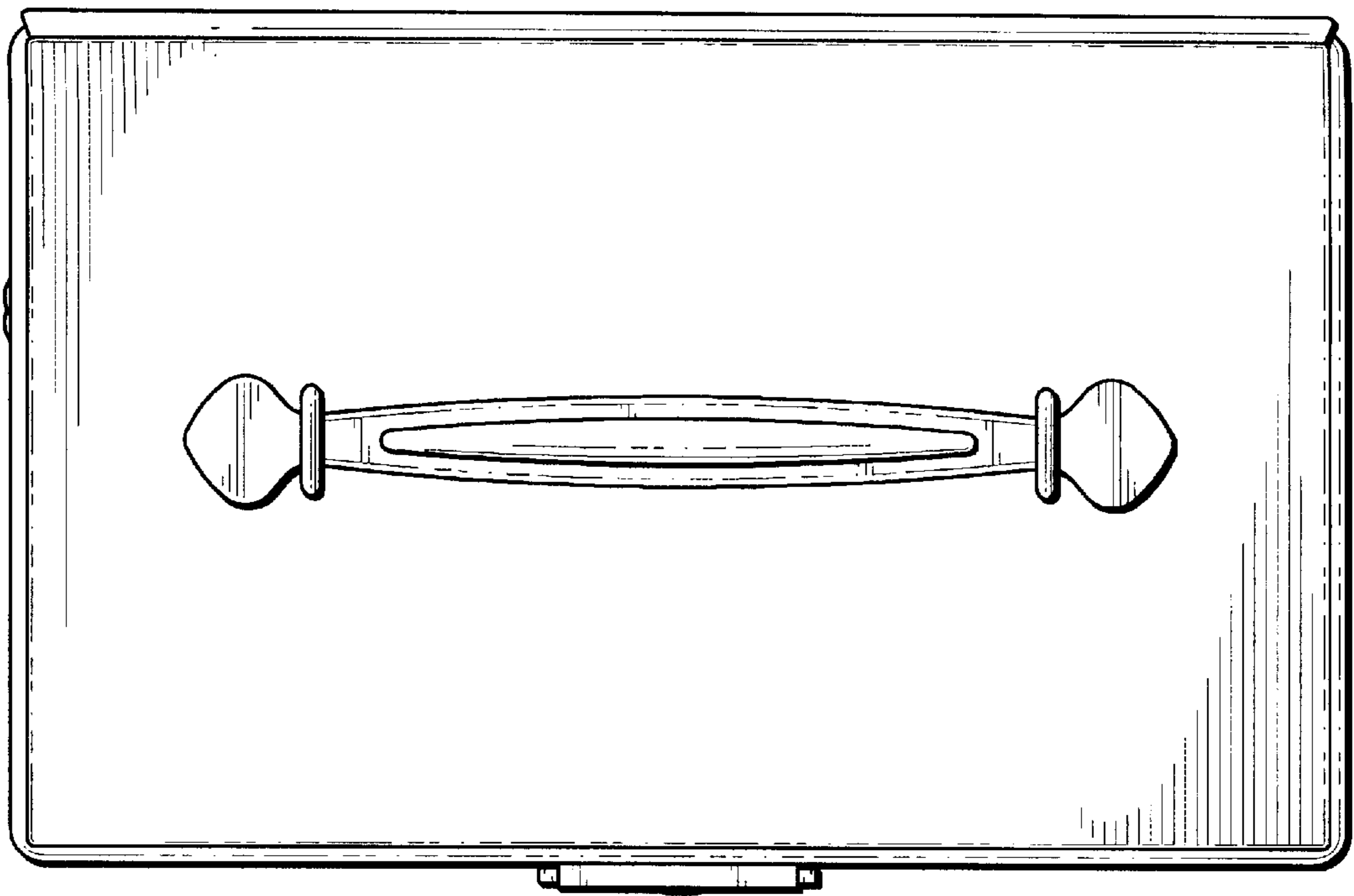


FIG. 3

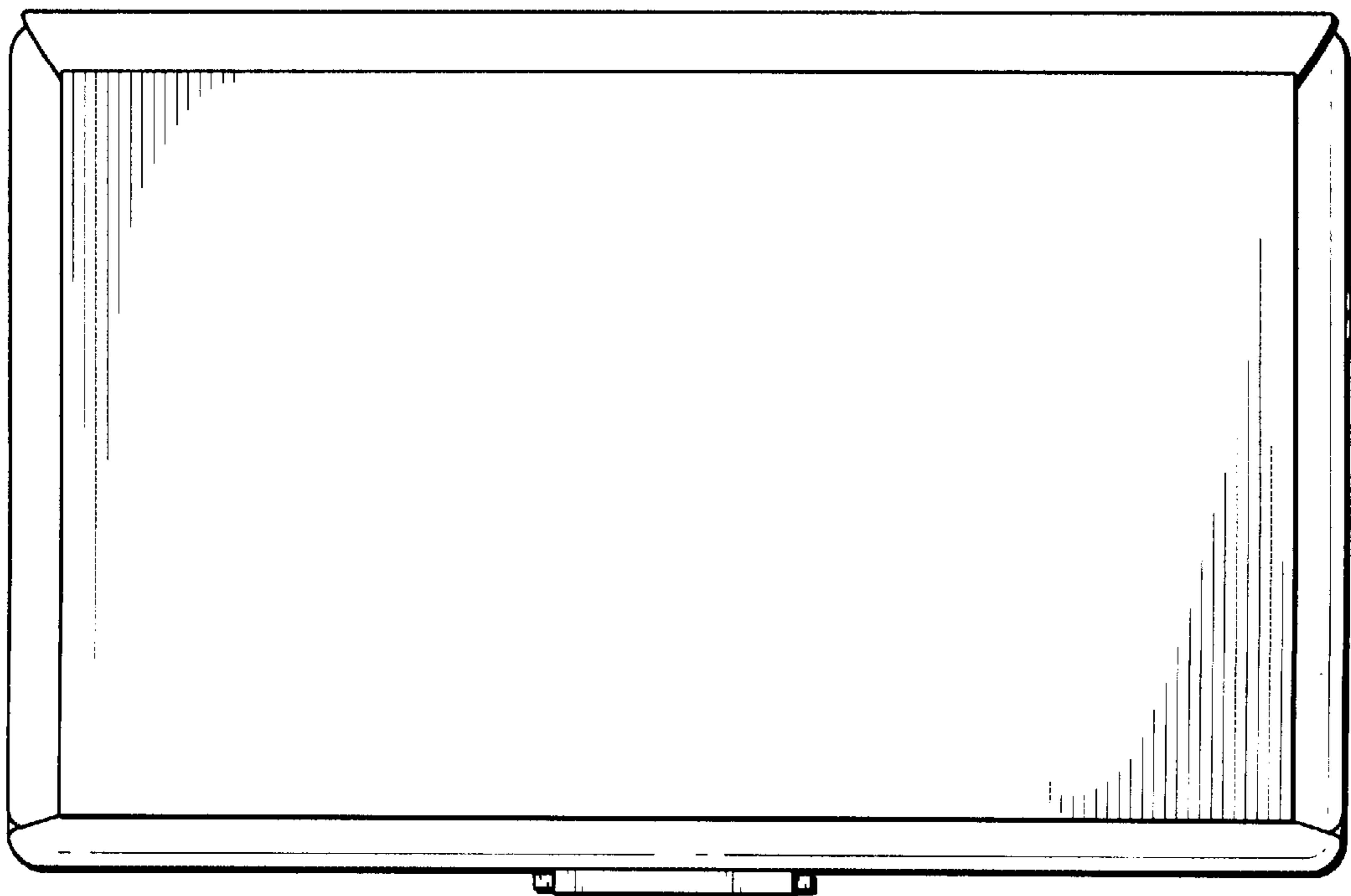


FIG. 4

FIG. 5

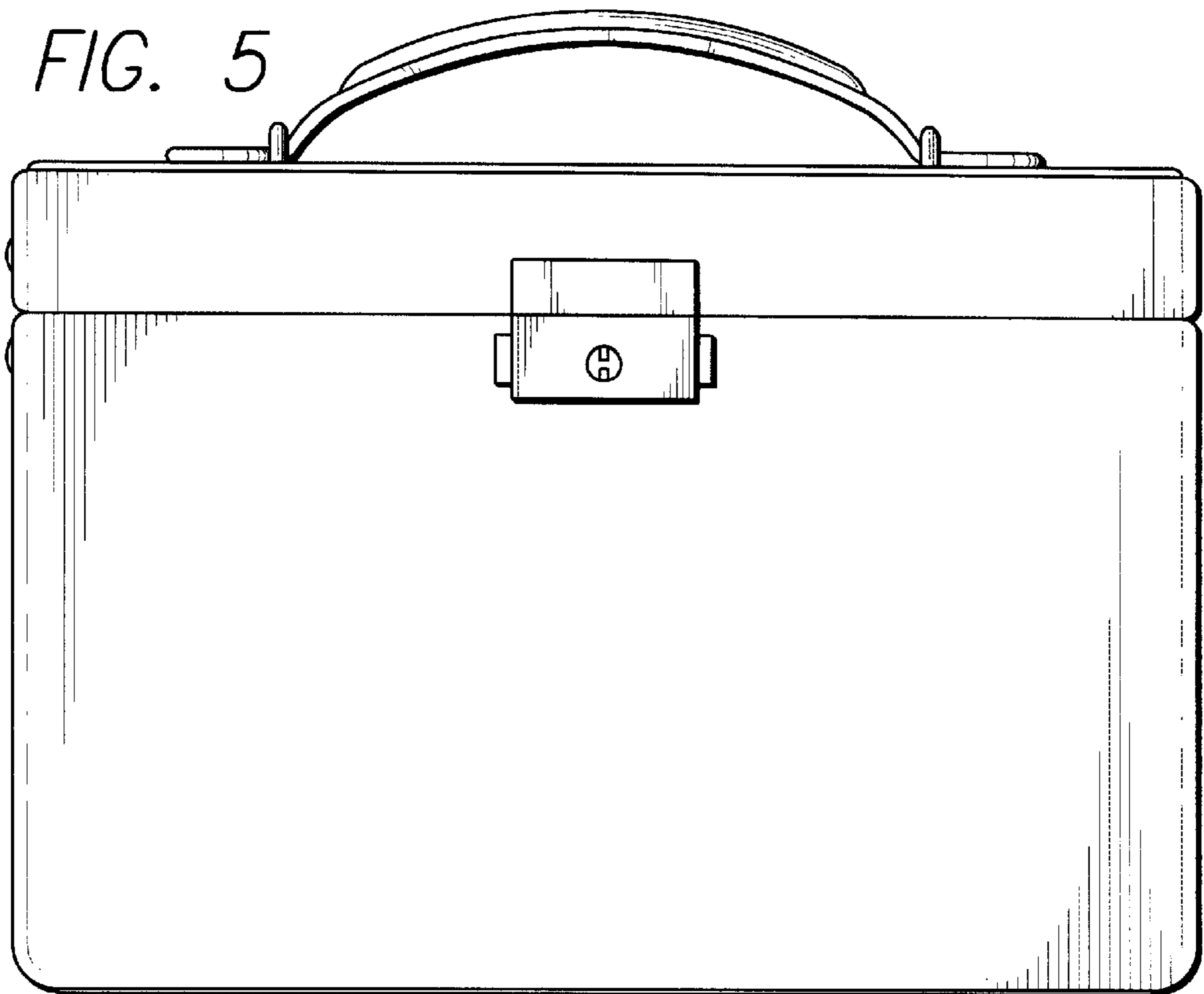
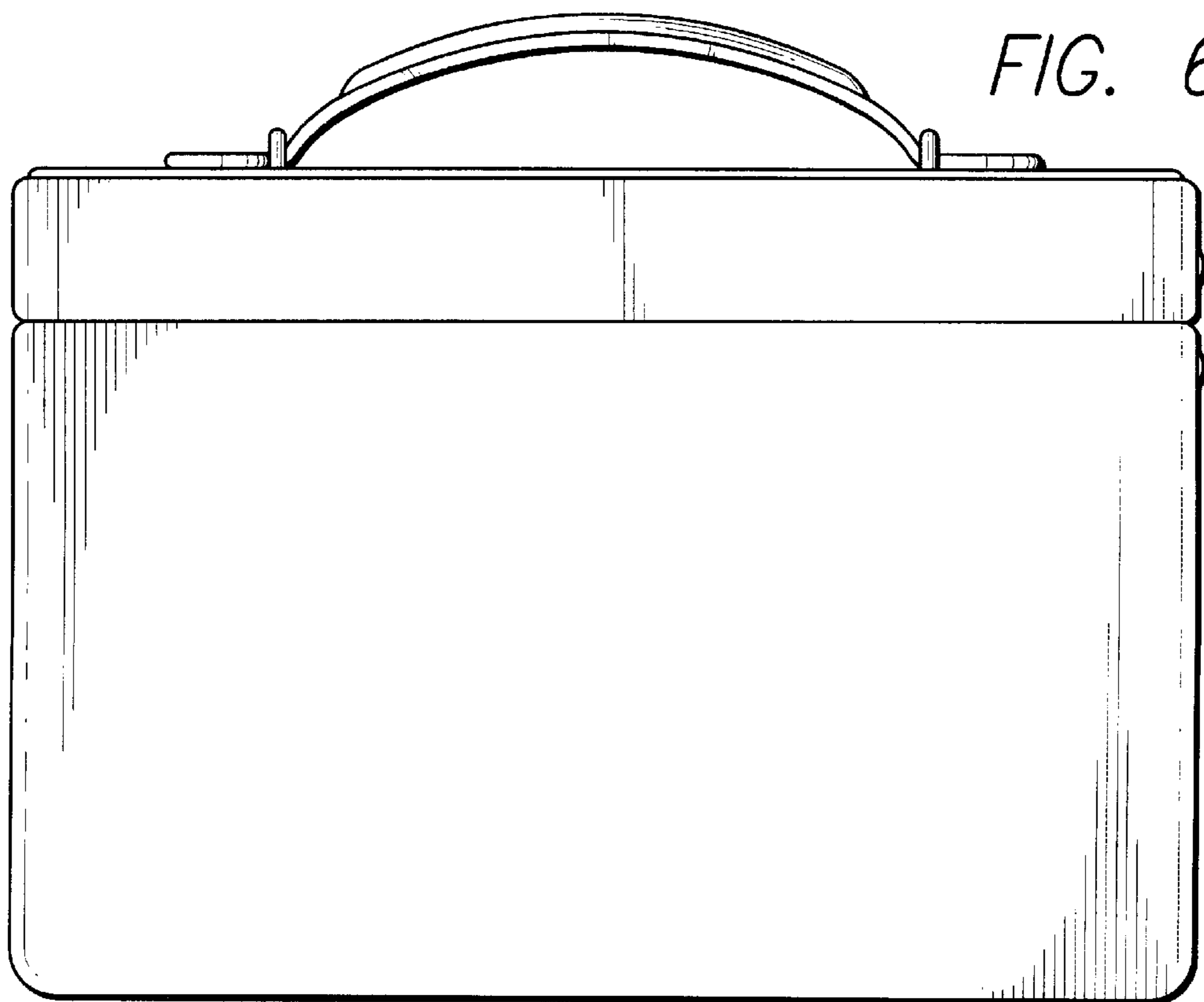


FIG. 6



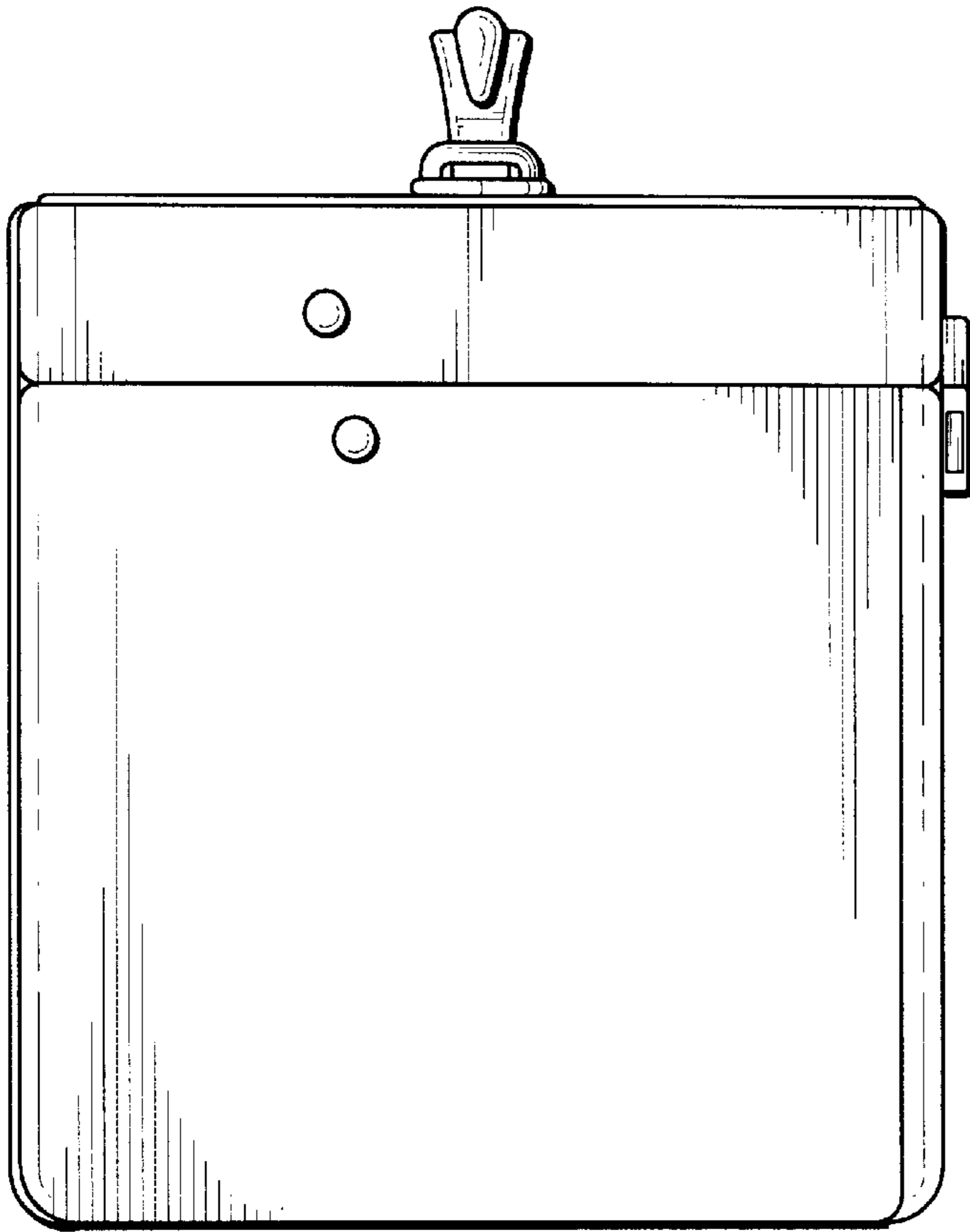


FIG. 7

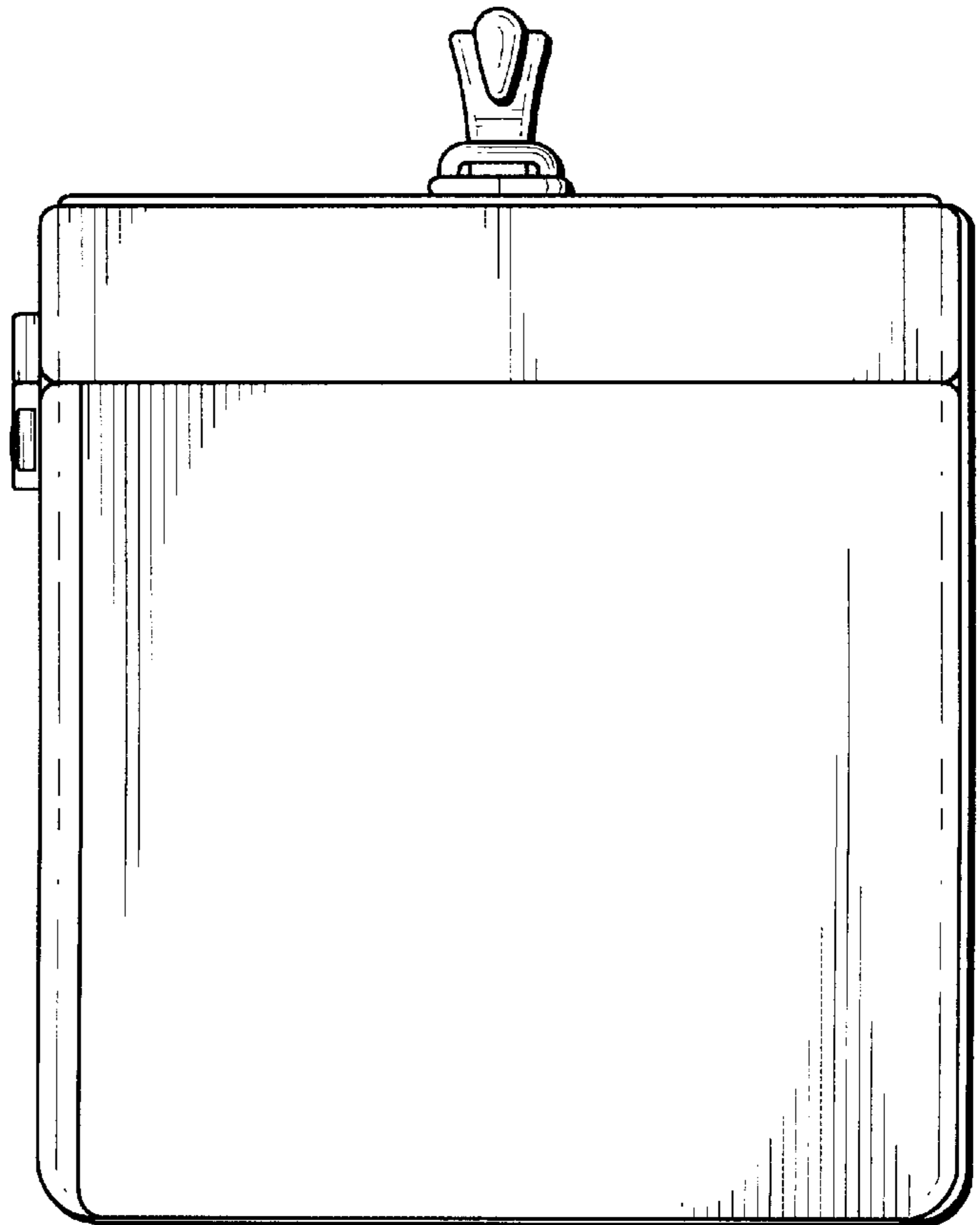


FIG. 8