



US00D485680S

(12) **United States Design Patent**  
**Hasenfrantz**

(10) **Patent No.:** **US D485,680 S**

(45) **Date of Patent:** **\*\* Jan. 27, 2004**

(54) **COMBINATION EYEGLASS CASE AND EYEGLASS STRAP**

(75) **Inventor:** **Ili Hasenfrantz**, Long Island City, NY (US)

(73) **Assignee:** **Astucci U.S., Ltd.**, New York, NY (US)

(\*\*) **Term:** **14 Years**

(21) **Appl. No.:** **29/173,209**

(22) **Filed:** **Dec. 24, 2002**

(51) **LOC (7) Cl.** ..... **03-01**

(52) **U.S. Cl.** ..... **D3/265; D3/215; D3/219; D3/232; D3/263**

(58) **Field of Search** ..... D3/215, 219, 229, D3/233, 249, 264, 265, 266, 267, 299; D9/314, 451; D16/130; D26/138; 24/3.3, 3.11, 36; 206/5, 5.1; 211/85.1; 248/205.3, 206.2, 229.6, 231.54, 309.1, 316.7, 902

(56) **References Cited**

**U.S. PATENT DOCUMENTS**

- 2,338,279 A \* 1/1944 Blake
- 3,998,304 A \* 12/1976 Edgerton, Jr. et al. .... 190/107
- 4,744,461 A \* 5/1988 Lapham ..... 206/5
- D332,525 S \* 1/1993 Ogata ..... D3/265
- D343,951 S \* 2/1994 Petty et al. .... D3/249

- D379,034 S \* 5/1997 DeSatnick ..... D3/299
- D395,751 S \* 7/1998 Dominique ..... D3/233
- D429,881 S \* 8/2000 Gray ..... D3/215
- D433,801 S \* 11/2000 Shreve ..... D3/226
- D459,879 S \* 7/2002 Tyler ..... D3/267
- D474,887 S \* 5/2003 Forster ..... D3/229

\* cited by examiner

*Primary Examiner*—Celia Murphy

(74) *Attorney, Agent, or Firm*—Steinberg & Raskin, P.C.

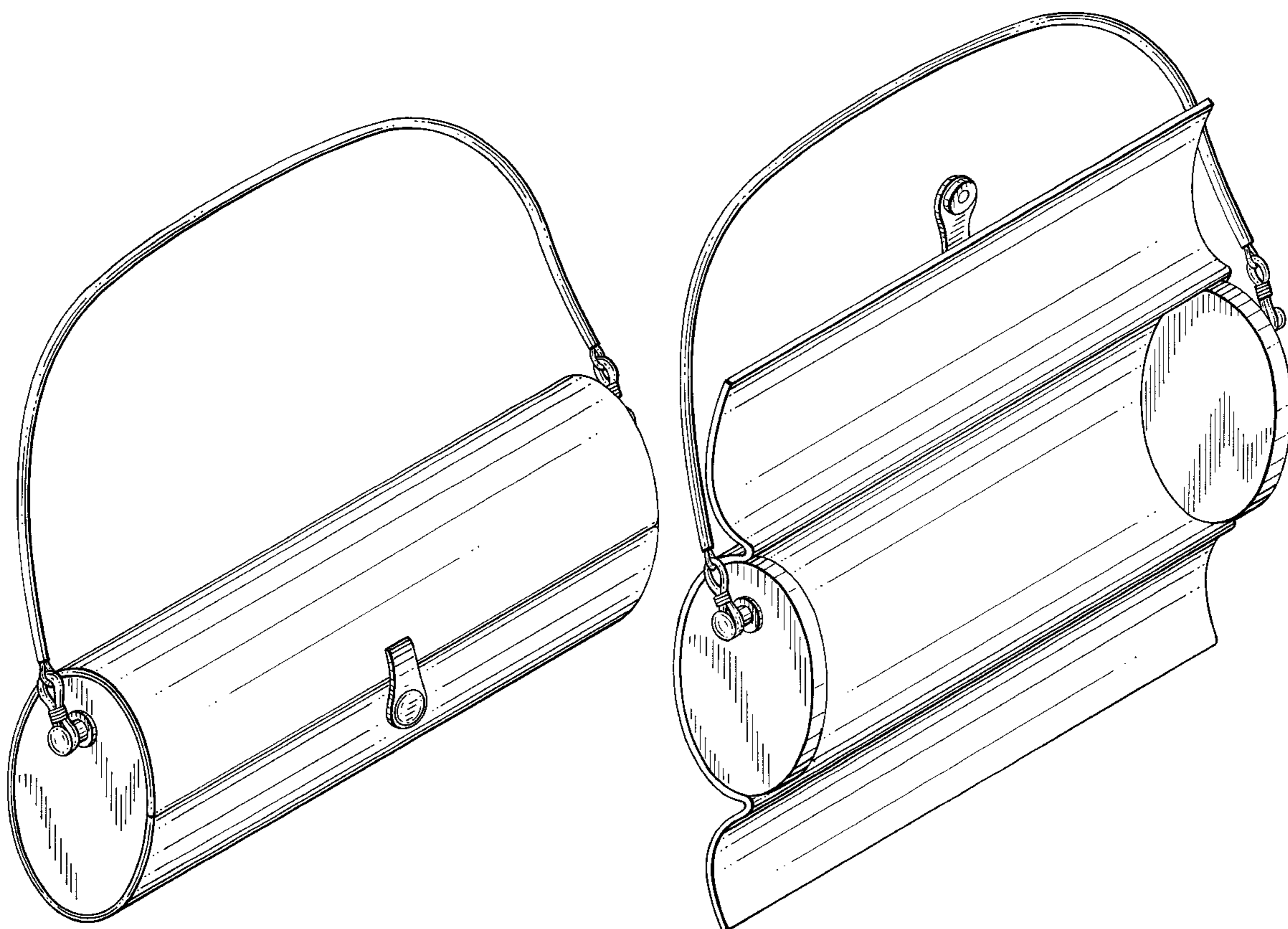
(57) **CLAIM**

I claim the ornamental design for combination eyeglass case and eyeglass strap, as shown and described.

**DESCRIPTION**

FIG. 1 is a top, front, right side perspective view according to the claimed design;  
 FIG. 2 is a top plan view thereof;  
 FIG. 3 is a front view thereof;  
 FIG. 4 is a left side view thereof (the right side being a mirror image);  
 FIG. 5 is a rear view thereof;  
 FIG. 6 is a bottom plan view thereof; and  
 FIG. 7 is a top, front, right side perspective view in open condition; and,  
 FIG. 8 is a top, front, right side perspective view thereof, showing the strap in a detached position.

**1 Claim, 5 Drawing Sheets**



*FIG. 1*

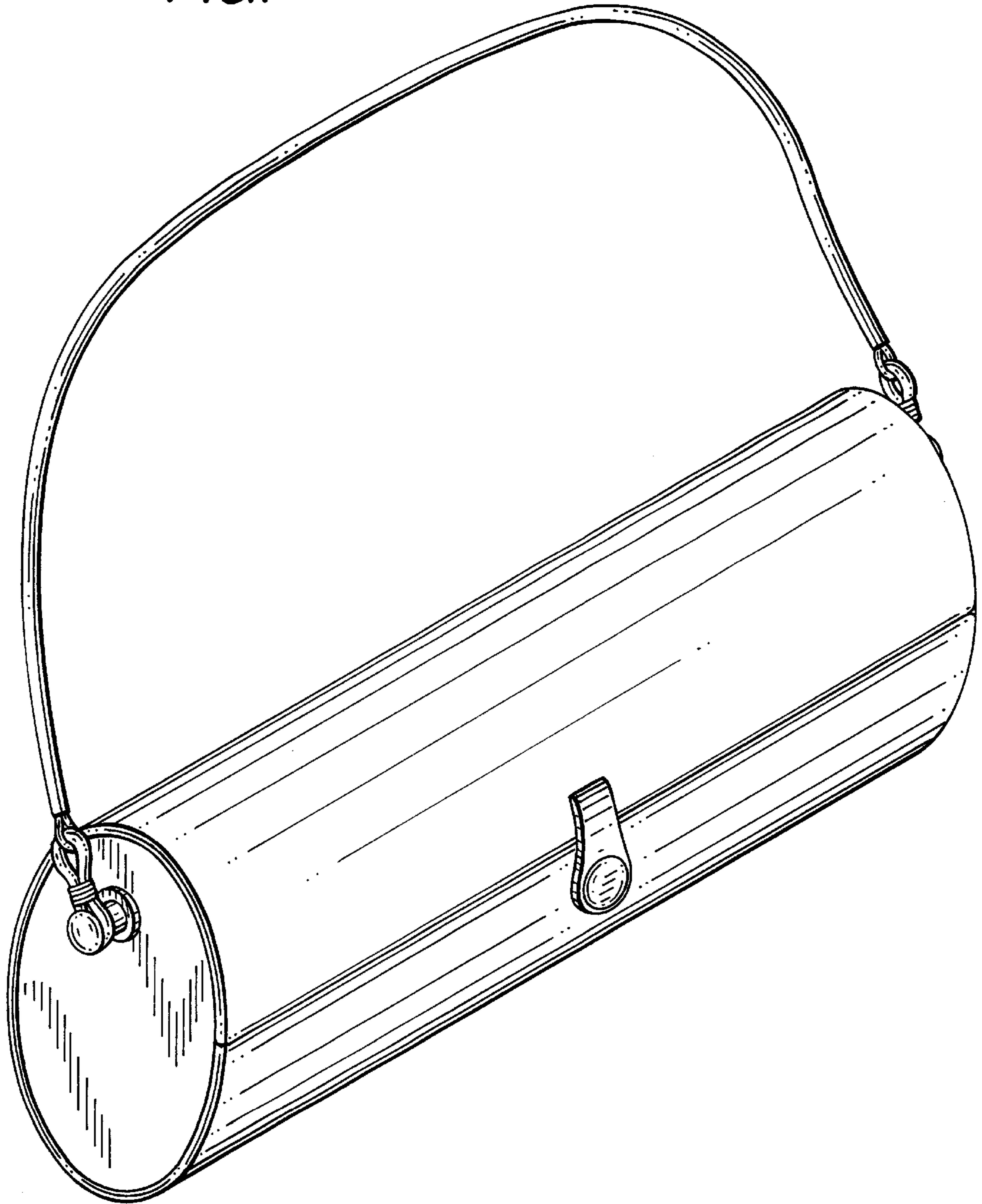


FIG. 2

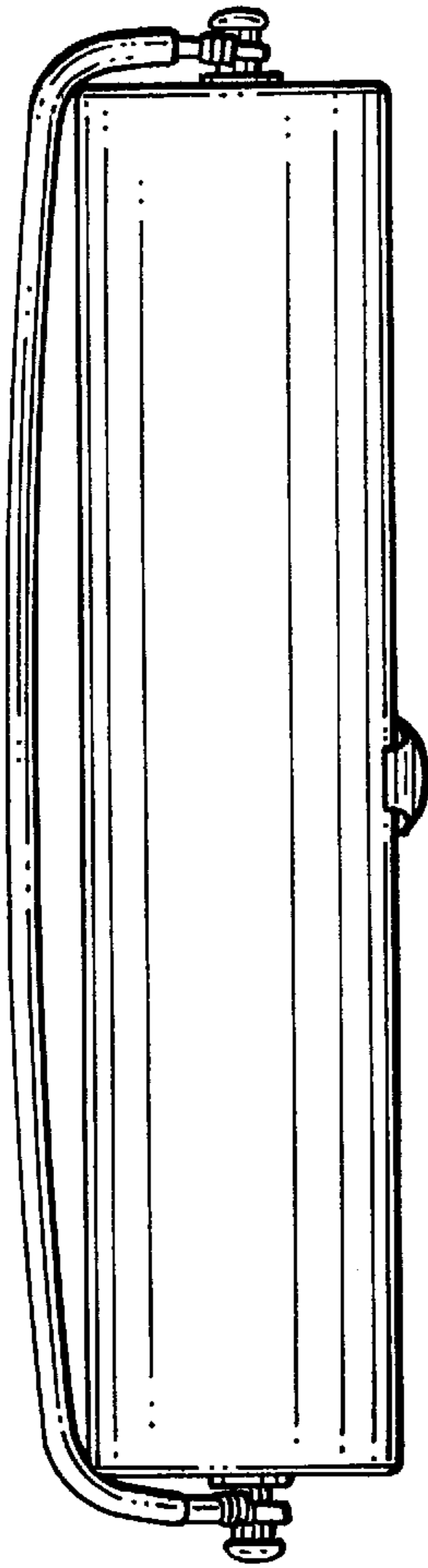


FIG. 4

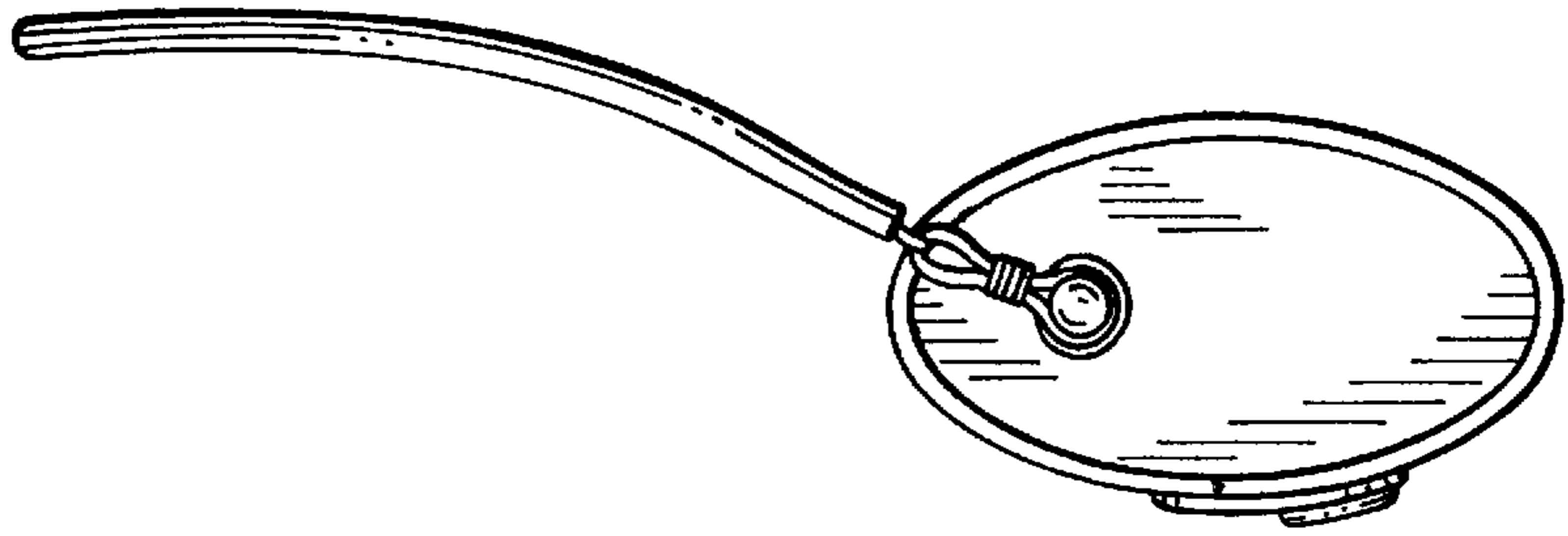
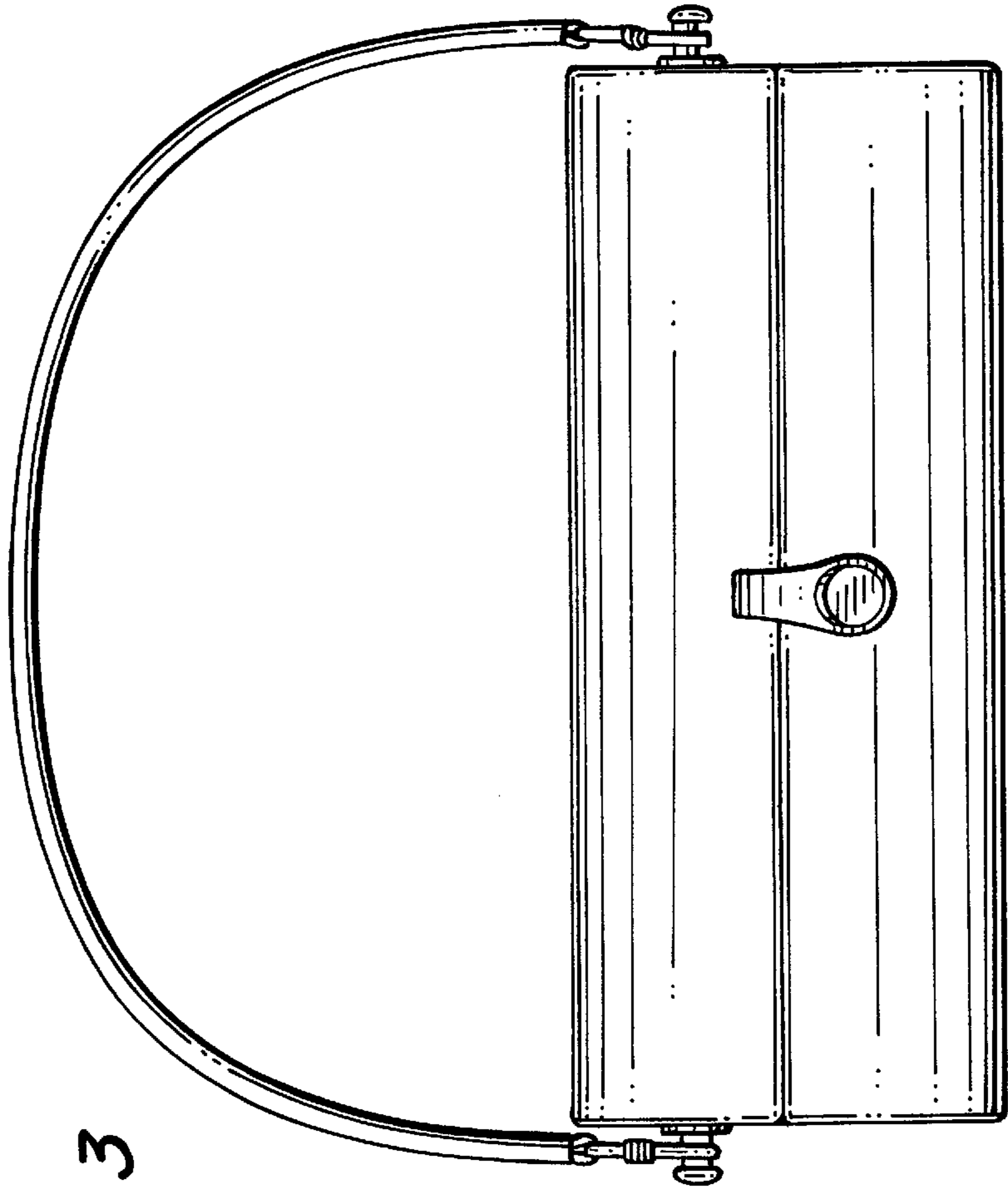
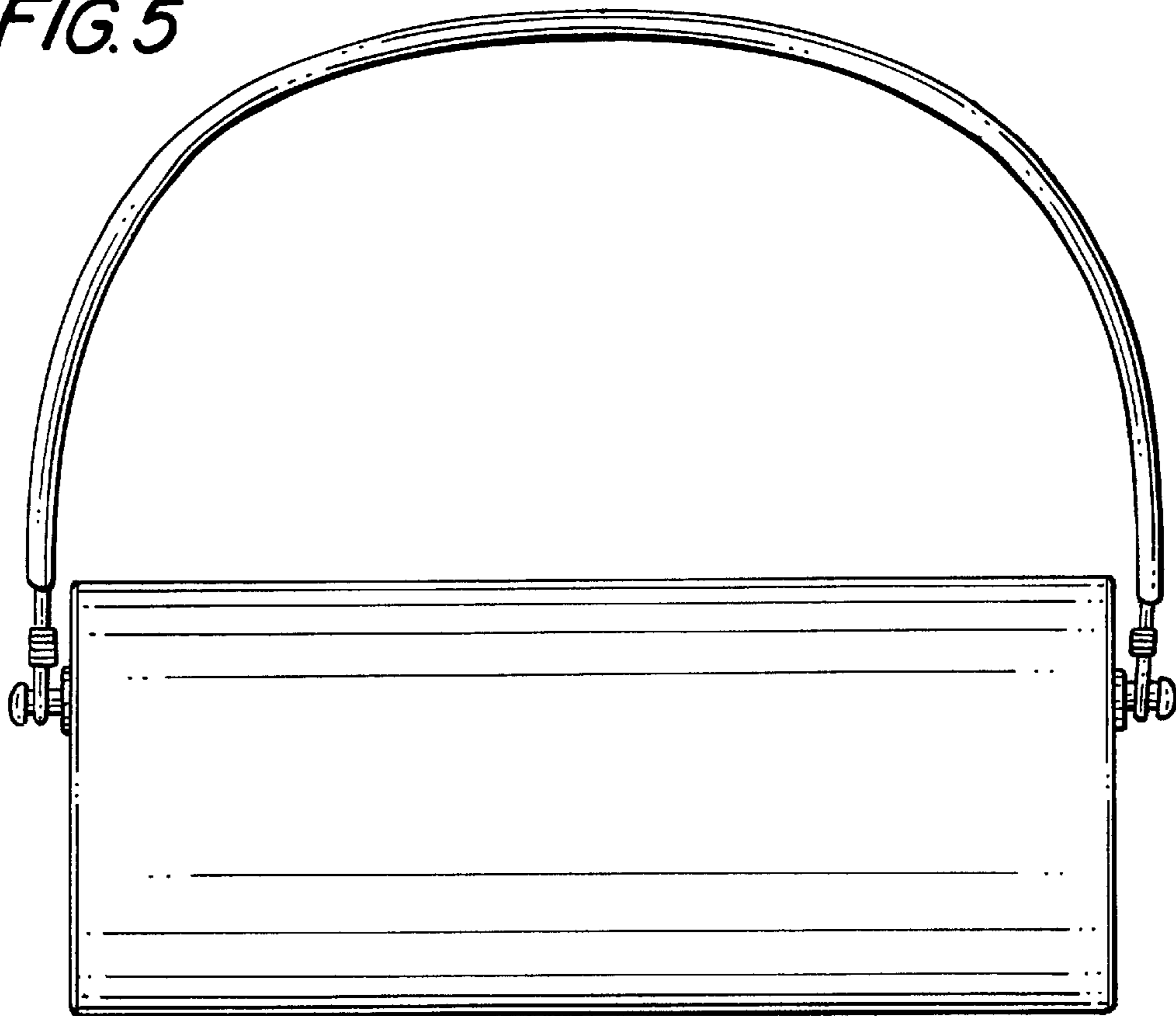


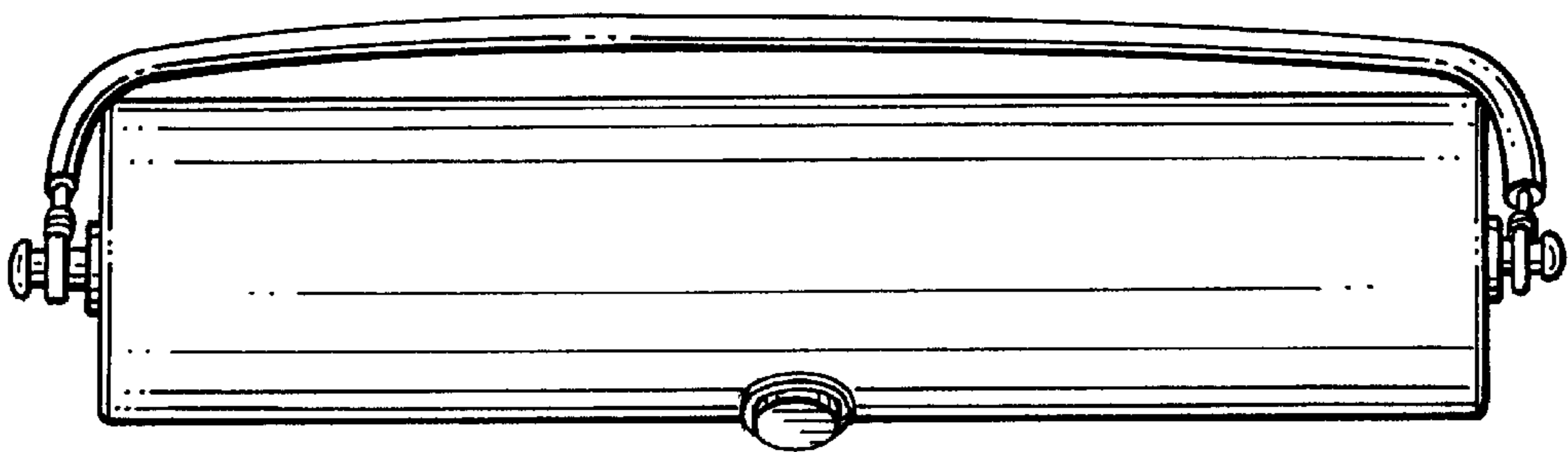
FIG. 3

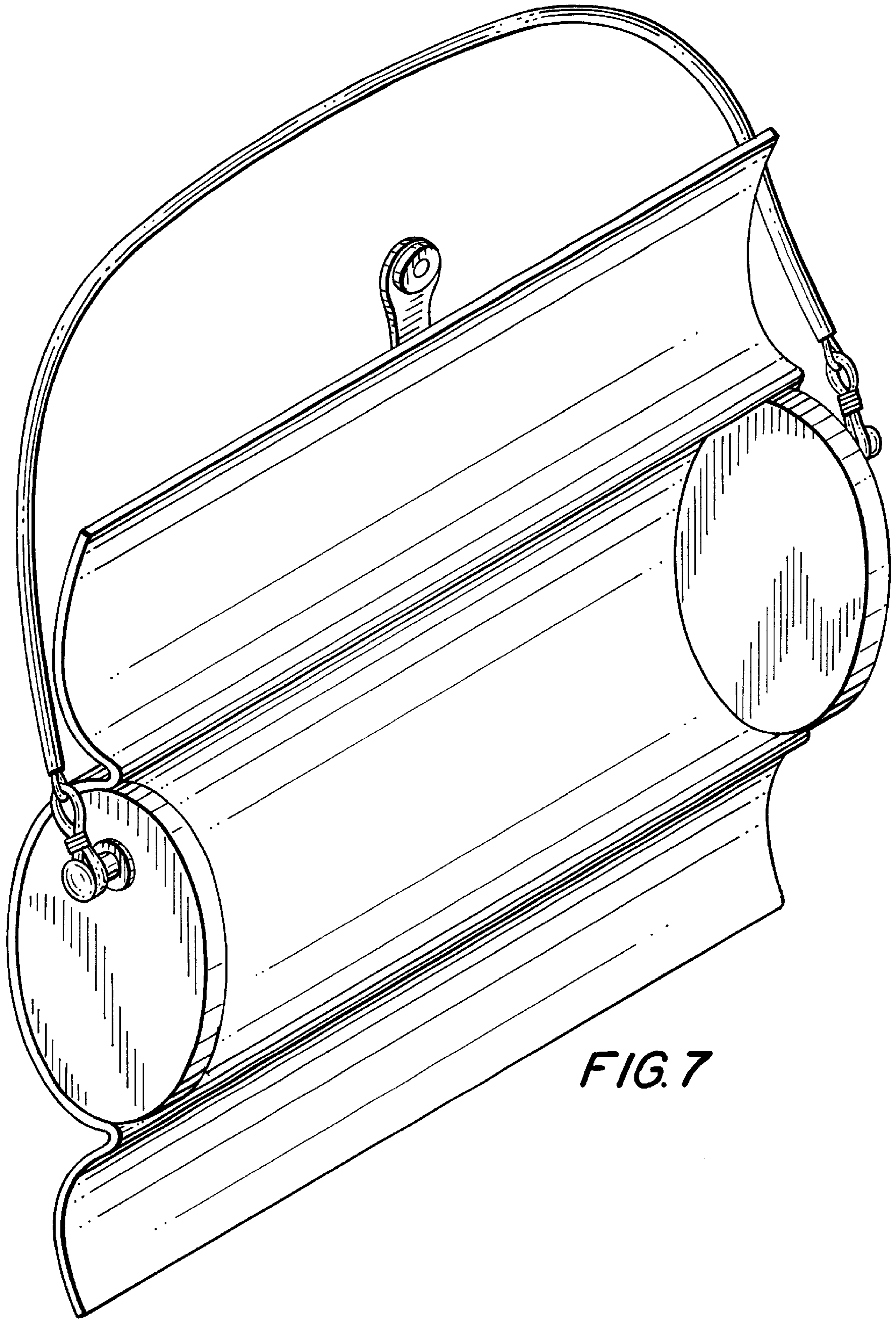


*FIG. 5*



*FIG. 6*





*FIG. 7*

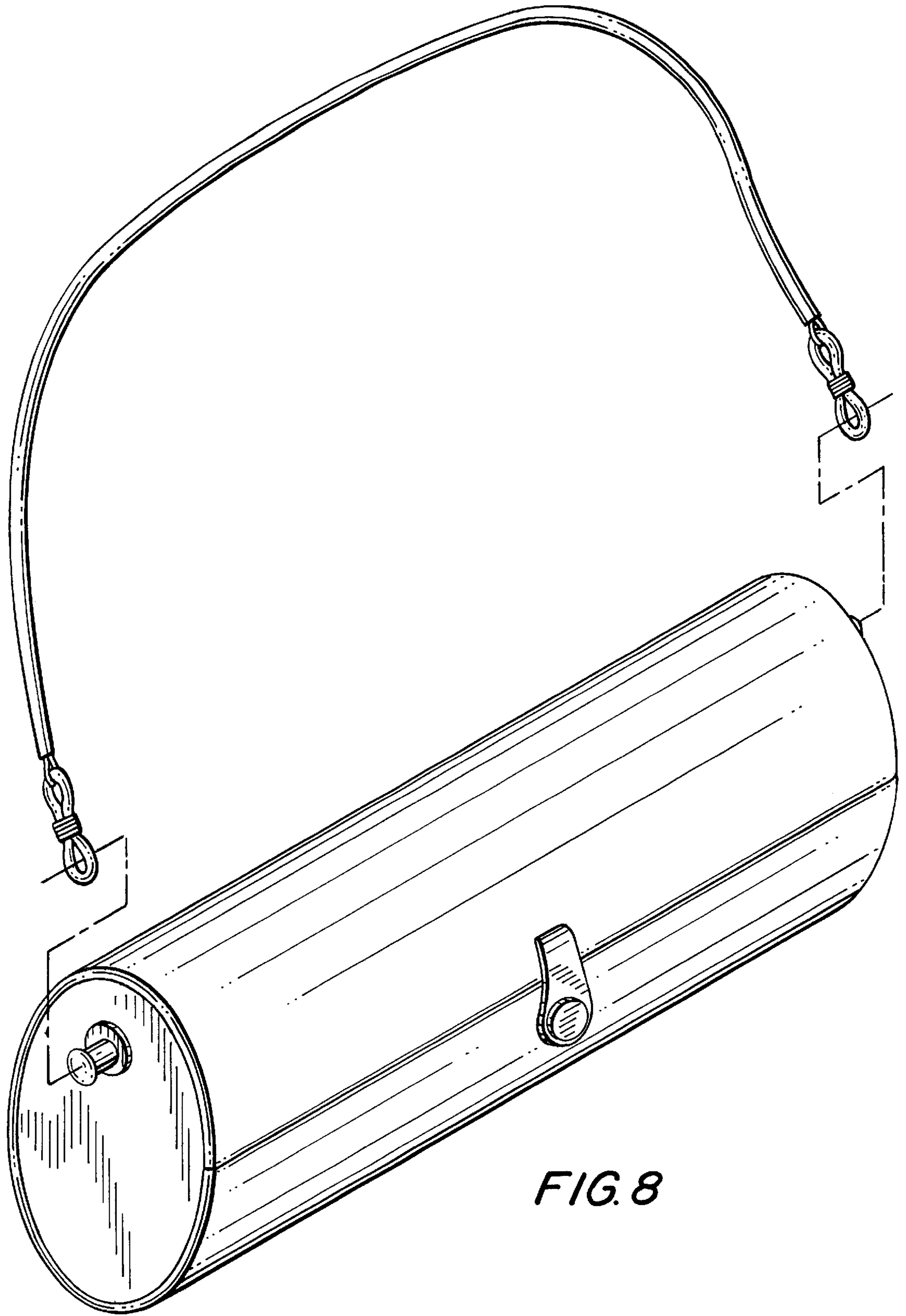


FIG. 8