



US00D485677S

(12) **United States Design Patent**  
**Harris et al.**

(10) **Patent No.:** **US D485,677 S**

(45) **Date of Patent:** **\*\* Jan. 27, 2004**

(54) **WEARABLE PET TREAT POUCH**

*Primary Examiner*—Catherine R. Oliver  
(74) *Attorney, Agent, or Firm*—Richard D. Clarke

(75) **Inventors:** **Carol M. Harris**, 2606 Bonita St.,  
Lemon Grove, CA (US) 91945; **Evelyn**  
**A. Robins**, Chula Vista, CA (US)

(57) **CLAIM**

The ornamental design for a wearable pet treat pouch, as shown and described.

(73) **Assignee:** **Carol M. Harris**, Lemon Grove, CA  
(US)

**DESCRIPTION**

(\*\*) **Term:** **14 Years**

FIG. 1 is a perspective view of the wearable pet treat pouch, in place as worn on the belt of a user;

(21) **Appl. No.:** **29/175,080**

FIG. 2 is a front view of the wearable pet treat pouch;

(22) **Filed:** **Jan. 29, 2003**

FIG. 3 is a rear view of the wearable pet treat pouch;

(51) **LOC (7) Cl.** ..... **03-01**

FIG. 4 is a side elevational view of one side of the wearable pet treat pouch;

(52) **U.S. Cl.** ..... **D3/215**

FIG. 5 is a side elevational view of the opposite side of the wearable pet treat pouch;

(58) **Field of Search** ..... D3/215, 224, 226,  
D3/228, 232, 233, 234, 247, 248, 255;  
224/918, 919, 240, 230; D30/199

FIG. 6 is a top view of the wearable pet treat pouch; and,

(56) **References Cited**

FIG. 7 is a bottom view of the wearable pet treat pouch.

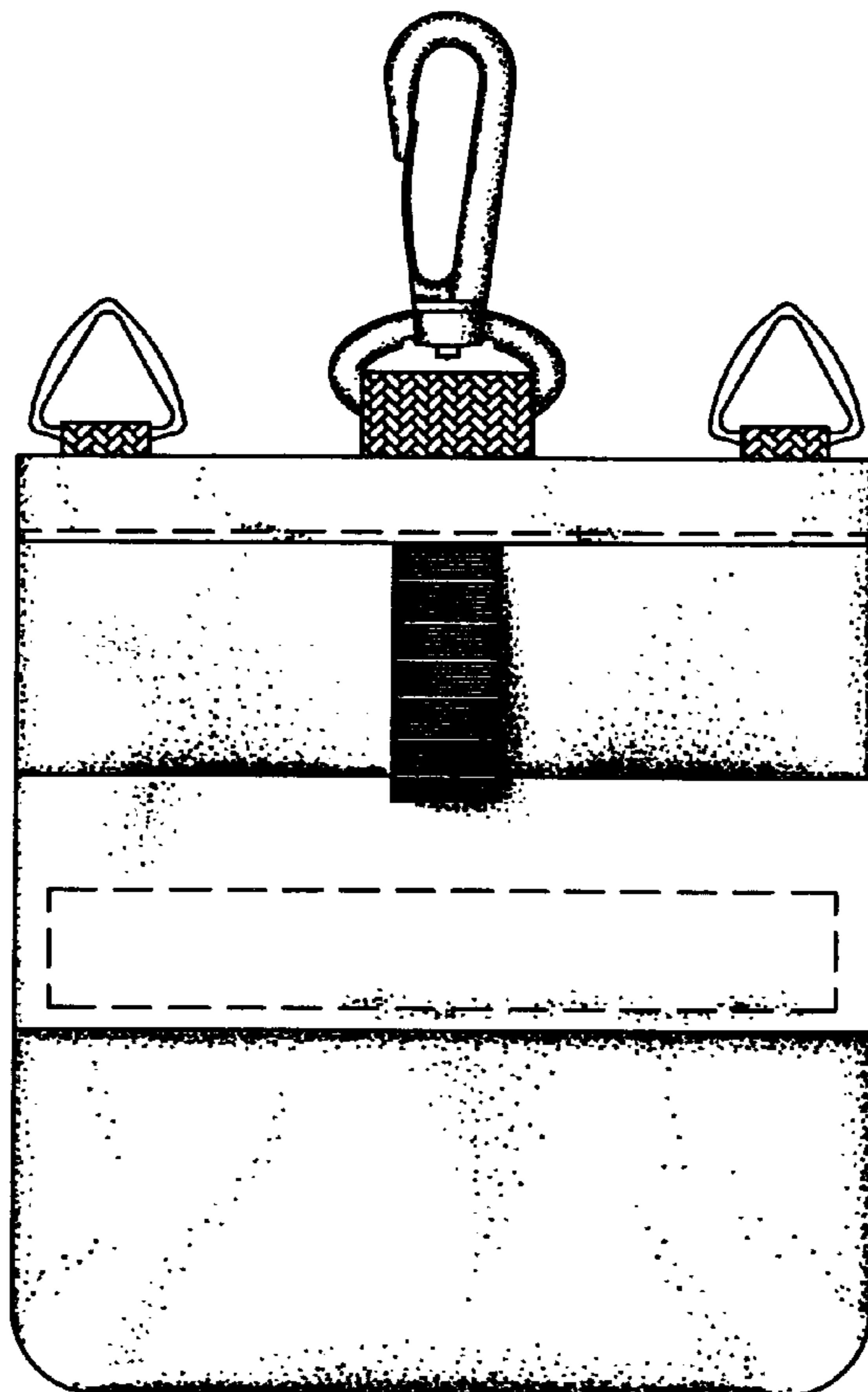
**U.S. PATENT DOCUMENTS**

The broken line showing of a users shirt, pants and belt on FIG. 1 is for illustrative purposes only and forms no part of the claimed design.

2,682,981 A	*	7/1954	Previdi	.....	224/918
4,416,315 A	*	11/1983	Foley	.....	224/230
D440,040 S	*	4/2001	Cantasano	.....	D3/221
D464,192 S	*	10/2002	Fairbairn et al.	.....	D3/215

\* cited by examiner

**1 Claim, 4 Drawing Sheets**



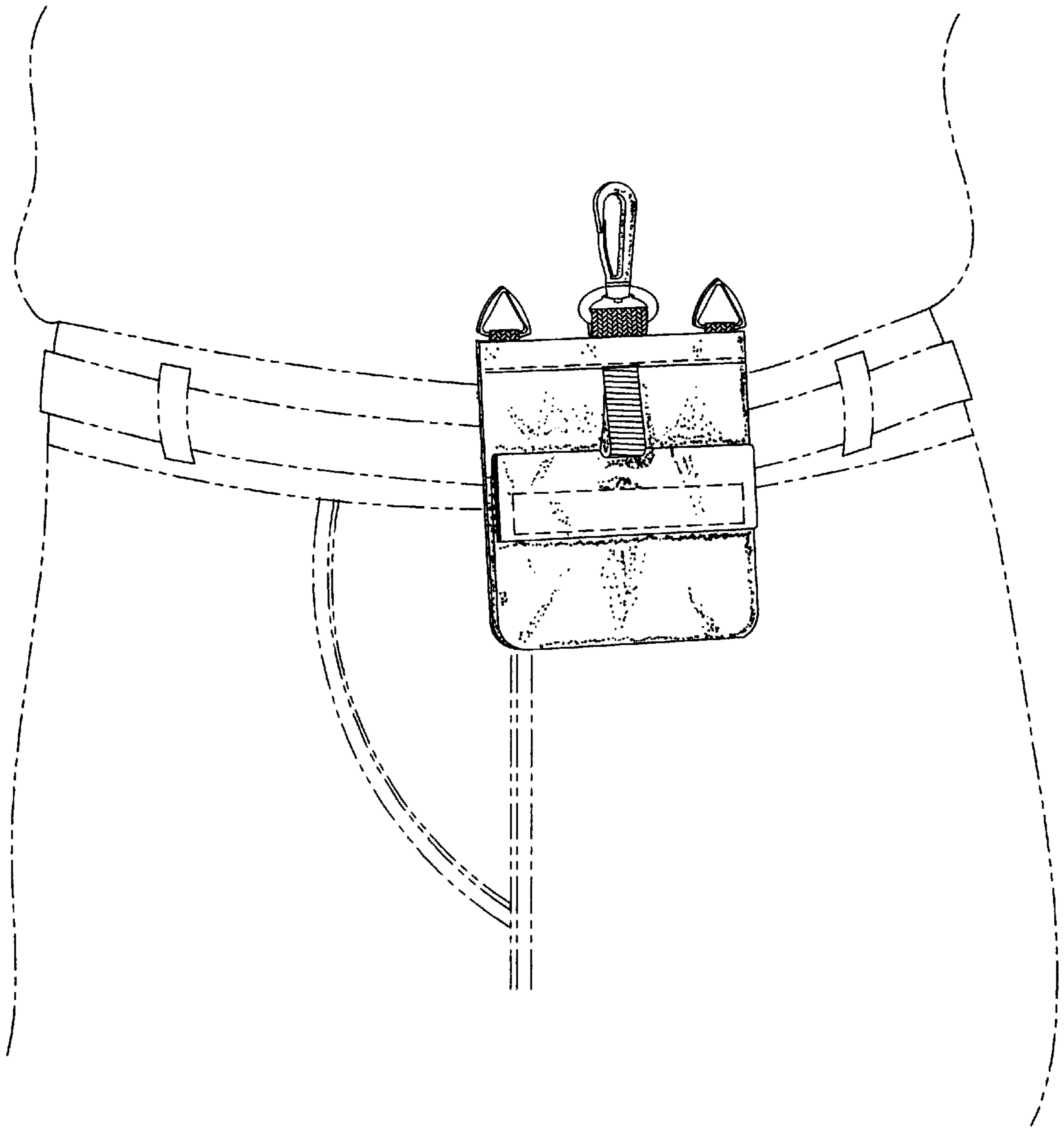


Fig. 1

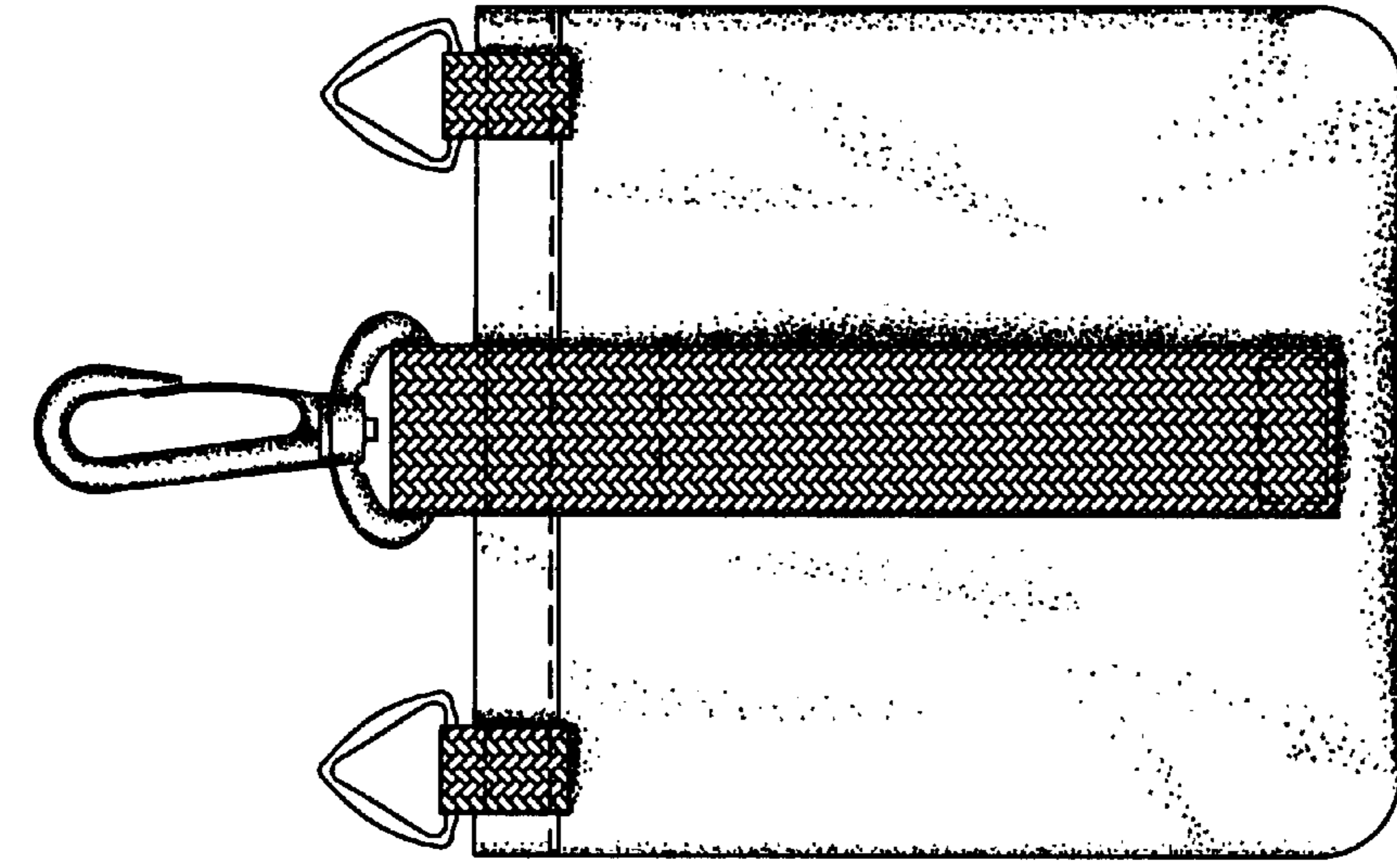


Fig. 3

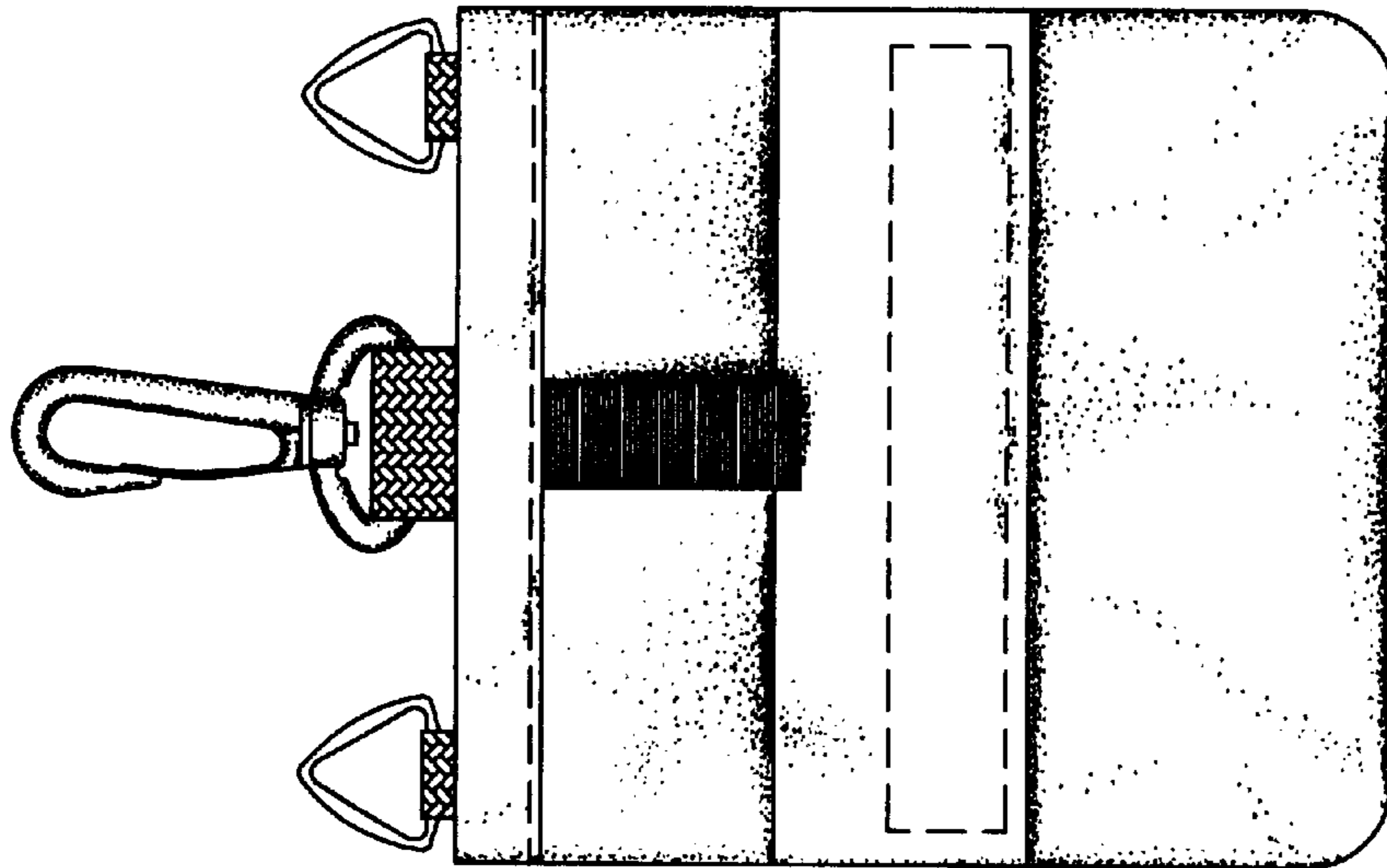


Fig. 2

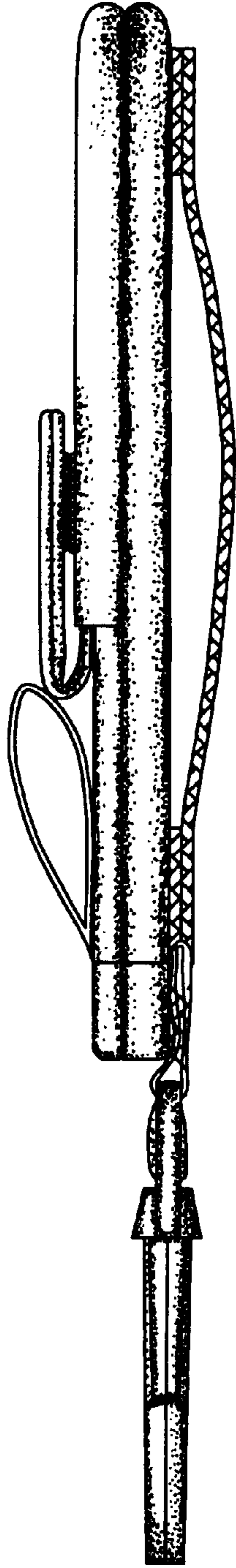


Fig. 4

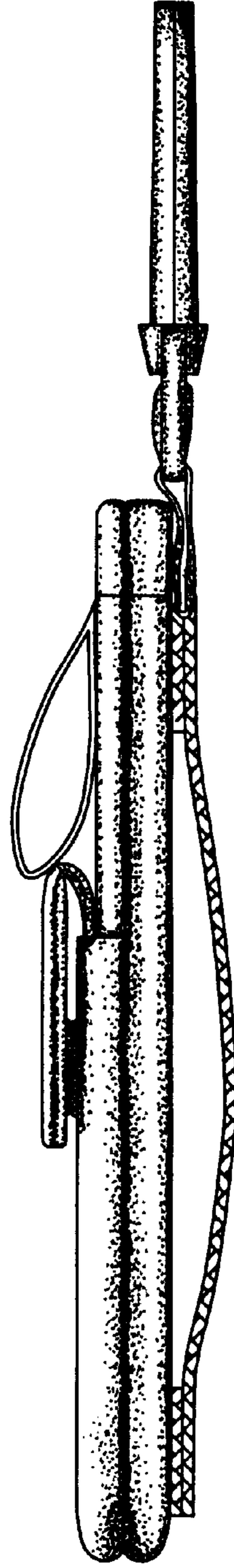


Fig. 5

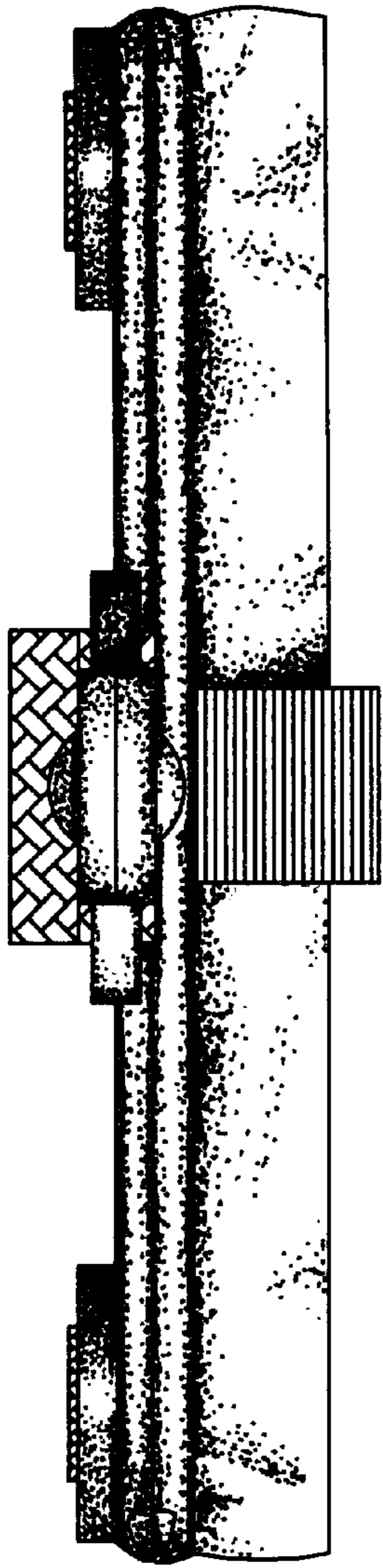


Fig. 6

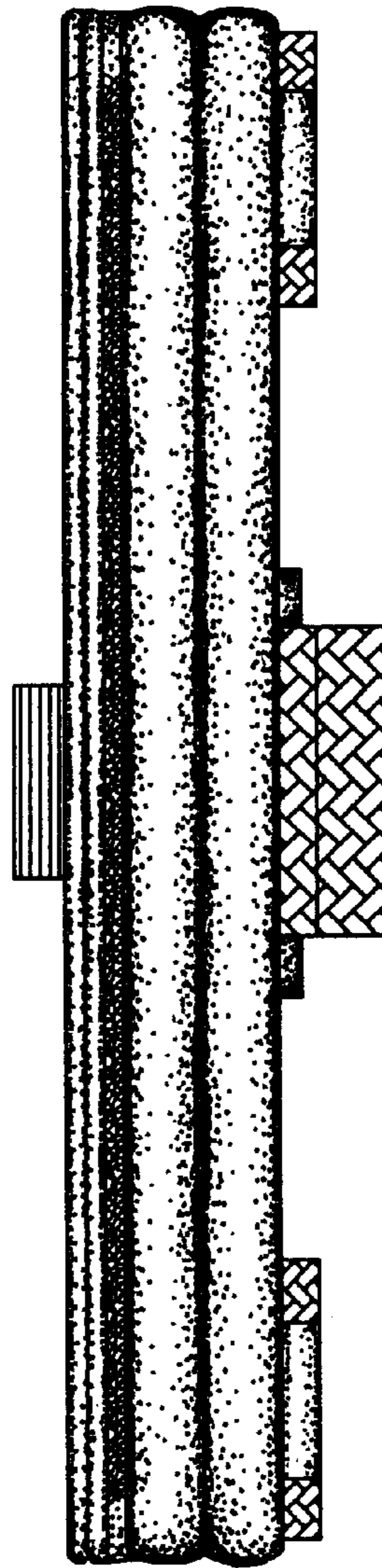


Fig. 7