



US00D485657S

(12) **United States Design Patent**
Lewis et al.

(10) **Patent No.:** **US D485,657 S**
(45) **Date of Patent:** **** Jan. 20, 2004**

(54) **ROOFING APPARATUS**

(75) Inventors: **Carl Lewis**, Lee's Summit, MO (US);
Tim Pendley, Madera, CA (US)

(73) Assignee: **Supreme Insulation, Inc.**, Kansas City,
MO (US)

(**) Term: **14 Years**

(21) Appl. No.: **29/169,642**

(22) Filed: **Oct. 24, 2002**

(51) **LOC (7) Cl.** **12-05**

(52) **U.S. Cl.** **D34/28**

(58) **Field of Search** D34/28, 35; D25/68;
52/747.1, 749.1, 749.12, DIG. 1, 127.7,
127.8; D15/122

(56) **References Cited**

U.S. PATENT DOCUMENTS

- 3,992,847 A * 11/1976 Heath 52/742.12
- 4,656,808 A * 4/1987 Mansfield 52/749.12
- 4,700,526 A * 10/1987 McGuinness 52/749.12
- RE35,942 E * 11/1998 Boot et al. 52/749.14

- 6,382,894 B2 * 5/2002 Goodding 414/11
- 6,539,676 B2 * 4/2003 Price 52/127.2
- 6,595,455 B2 * 7/2003 Romes 242/422.5

* cited by examiner

Primary Examiner—Cynthia E. Ramirez
(74) *Attorney, Agent, or Firm*—Lathrop & Gage LC

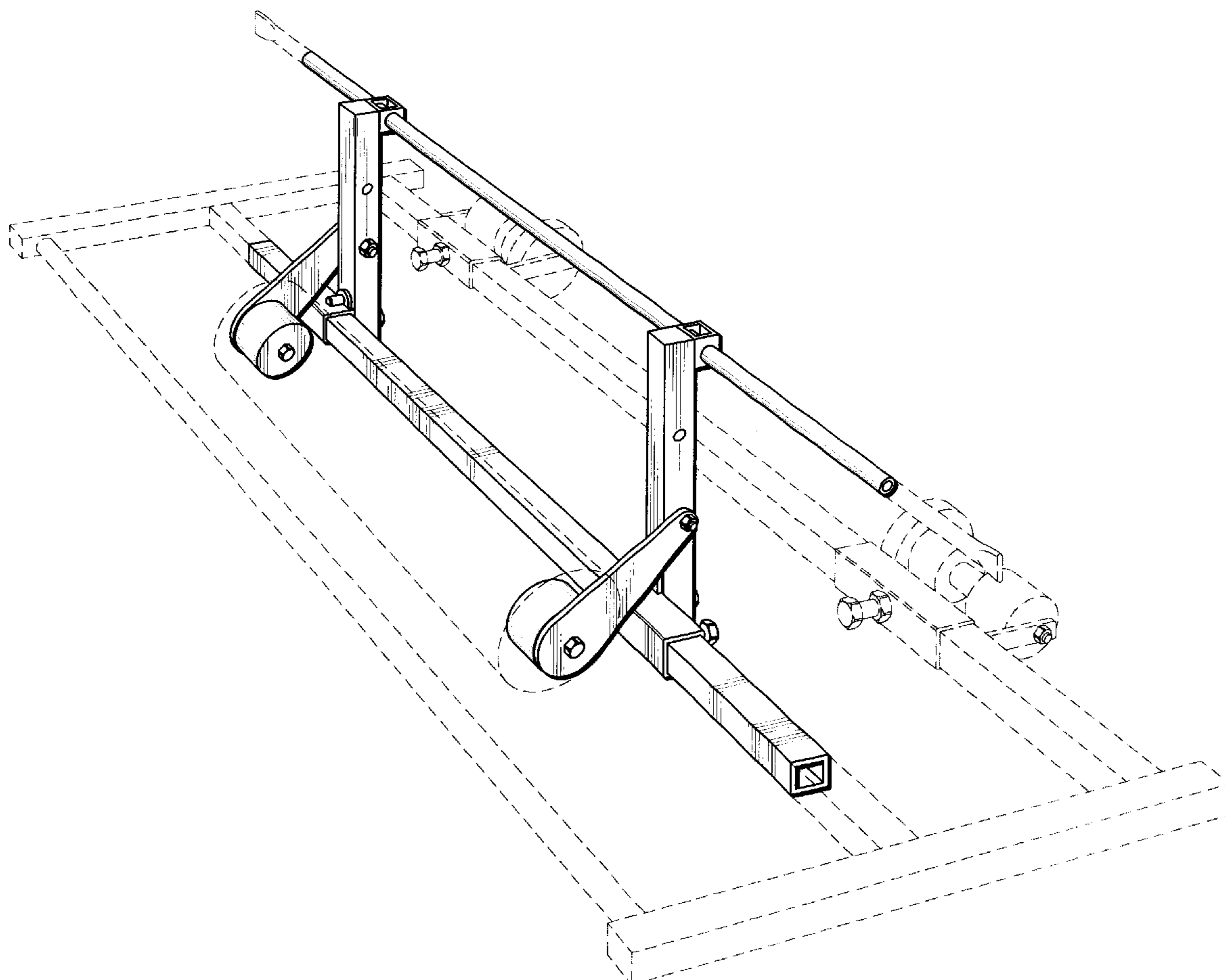
(57) **CLAIM**

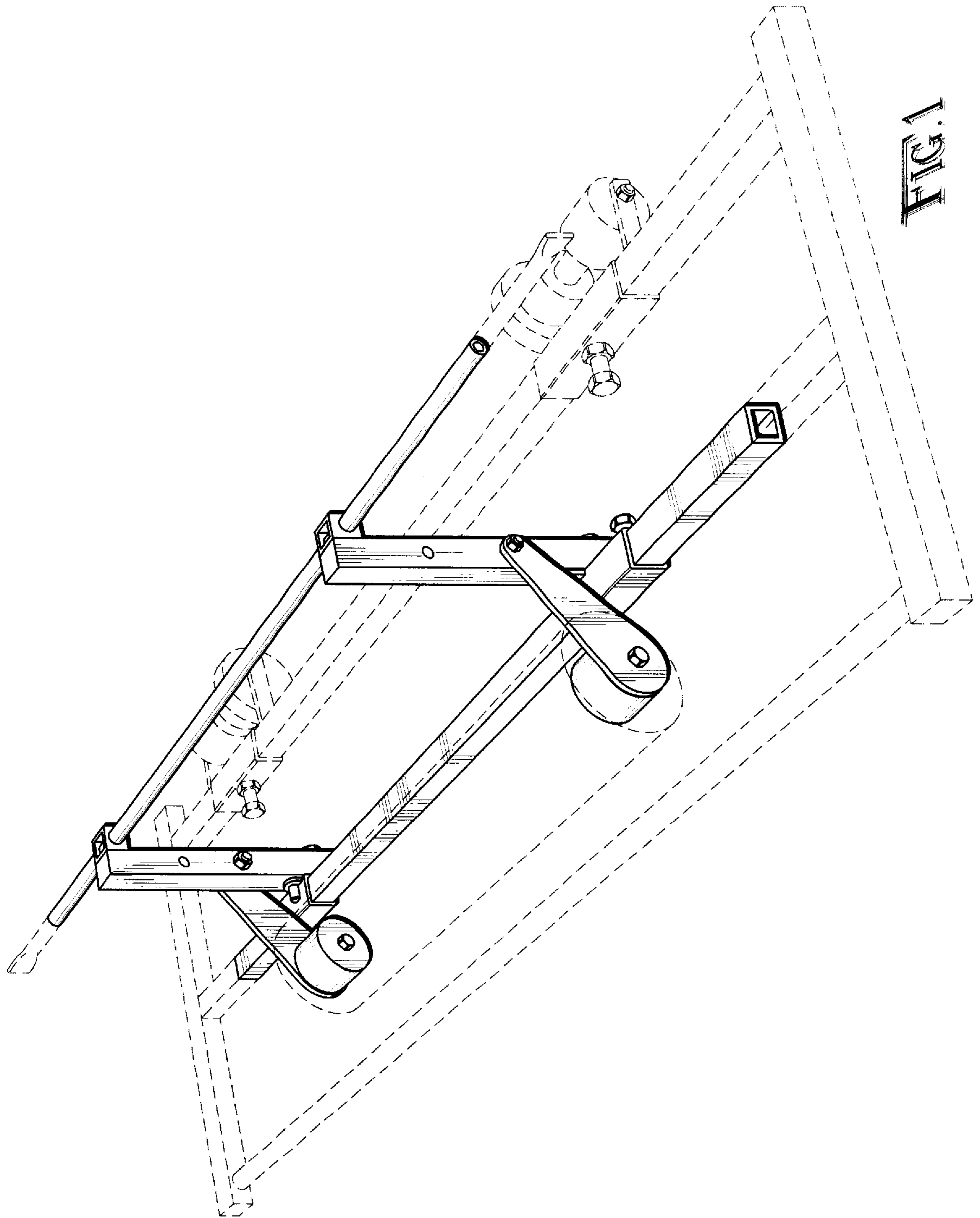
The ornamental design for a roofing apparatus, as shown and described.

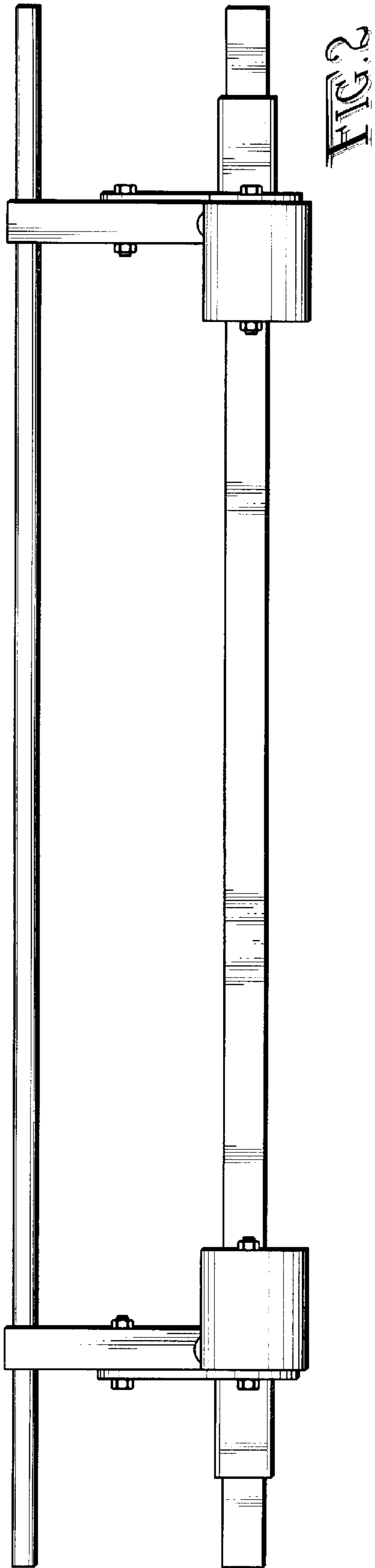
DESCRIPTION

FIG. 1 is a perspective view of a roofing apparatus, showing the new design;
 FIG. 2 is a front elevational view of the roofing apparatus;
 and
 FIG. 3 is a top plan view of the roofing apparatus;
 FIG. 4 is a rear elevational view of the roofing apparatus;
 and,
 FIG. 5 is a side elevational view of the roofing apparatus.
 The broken line showing of the remainder of the roofing apparatus is for illustrative purposes only and forms no part of the claimed design.

1 Claim, 3 Drawing Sheets







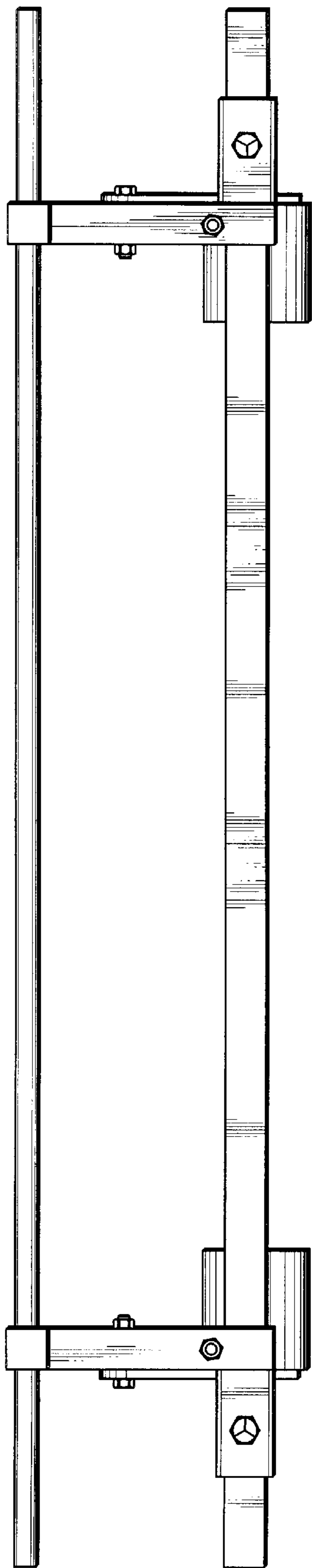


FIG. 4

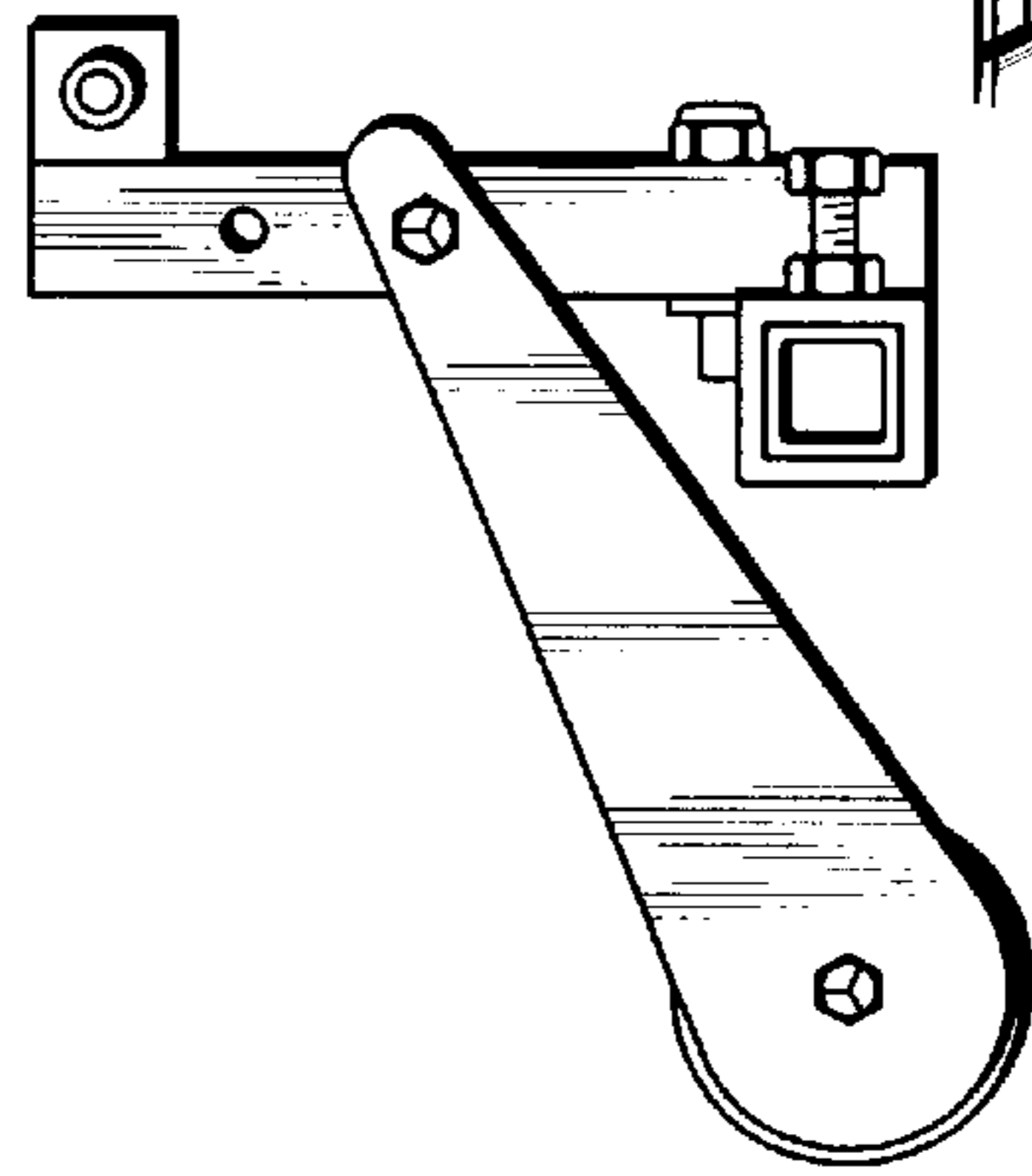


FIG. 5