



US00D485656S

(12) **United States Design Patent**  
**Anderson et al.**

(10) **Patent No.:** **US D485,656 S**  
(45) **Date of Patent:** **\*\* Jan. 20, 2004**

(54) **SNOW BRUSH WITH SCRAPER, ICE CHISEL AND SQUEEGEE**

D453,075 S \* 1/2002 Liu ..... D4/118  
6,481,041 B1 \* 11/2002 Ingram ..... 15/111

(75) Inventors: **Torrence Anderson**, Overland Park, KS (US); **Lyle Rosine**, Batavia, IL (US)

**FOREIGN PATENT DOCUMENTS**

WO WO 89/10721 \* 11/1989 ..... A47L/1/05

(73) Assignee: **Suncast Corporation**, Batavia, IL (US)

\* cited by examiner

(\*\*) Term: **14 Years**

*Primary Examiner*—Alan P. Douglas

*Assistant Examiner*—Lavone D. Tabor

(21) Appl. No.: **29/183,844**

(74) *Attorney, Agent, or Firm*—McHale & Slavin, P.A.

(22) Filed: **Jun. 16, 2003**

(57) **CLAIM**

(51) **LOC (7) Cl.** ..... **07-05**

The ornamental design for a snow brush with scraper, ice chisel and squeegee, as shown and described.

(52) **U.S. Cl.** ..... **D32/42; D32/49**

**DESCRIPTION**

(58) **Field of Search** ..... D4/118, 137; 15/143.1, 15/105, 111, 117, 118, 121, 144.3, 144.4, 236.01, 236.02, 236.05, 236.06, 236.08; D32/40, 42, 46, 49

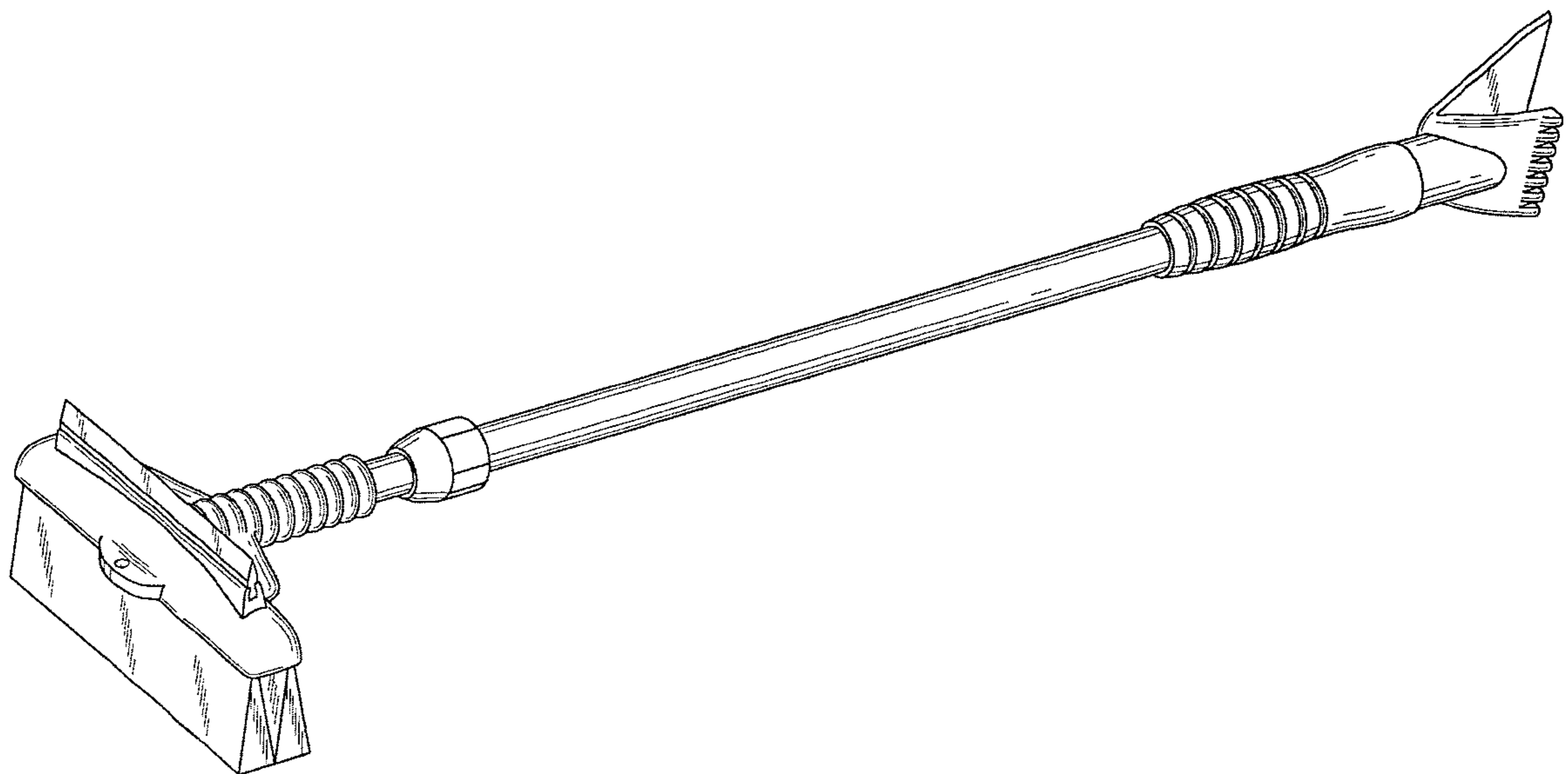
FIG. 1 is a perspective view of the snow brush with scraper, ice chisel and squeegee of the instant invention; FIG. 2 is a right side view thereof; FIG. 3 is a left side view thereof; FIG. 4 is a top plan view thereof; FIG. 5 is a bottom plan view thereof; FIG. 6 is a front view thereof; and, FIG. 7 is a back view thereof.

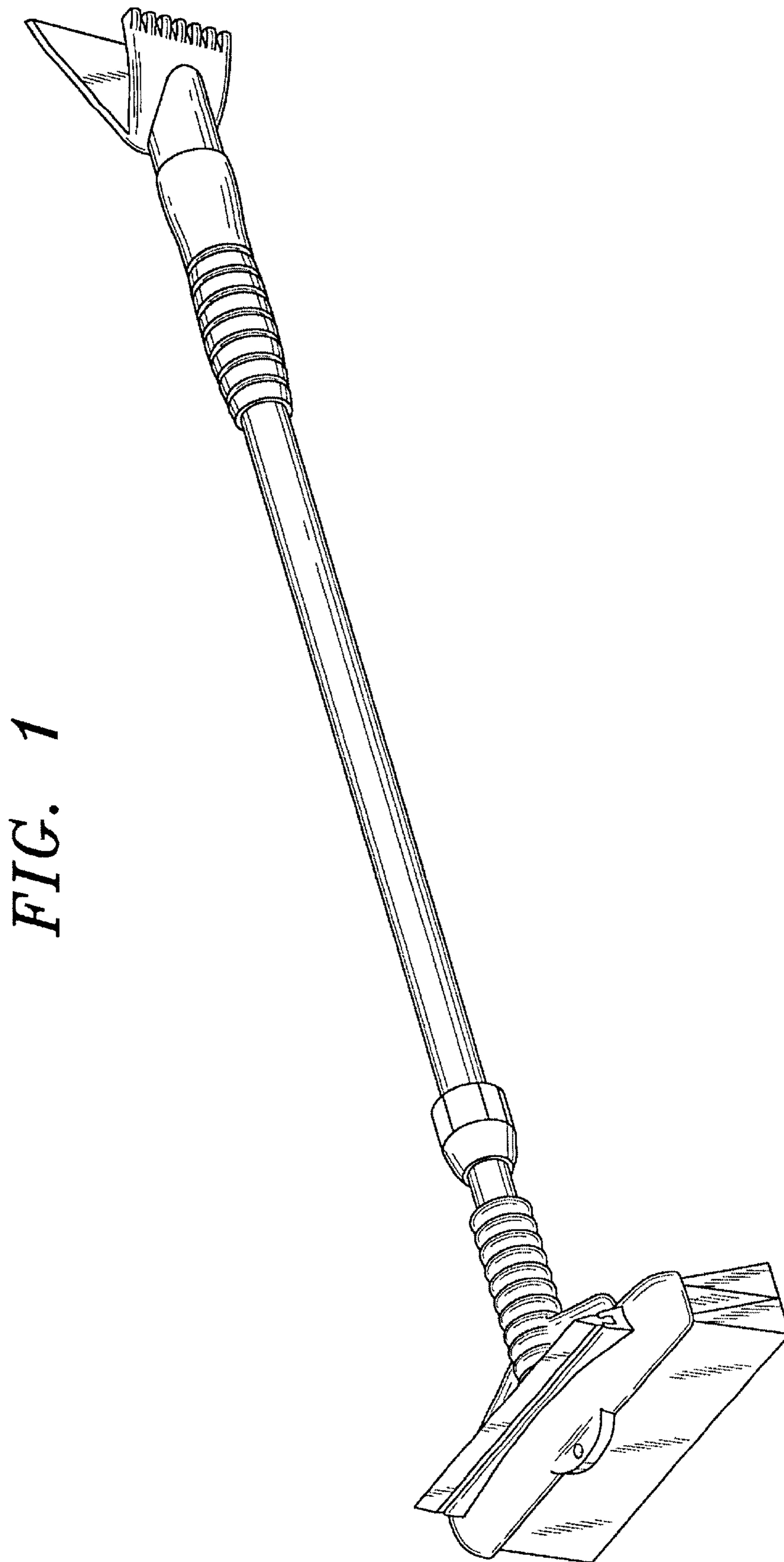
(56) **References Cited**

**U.S. PATENT DOCUMENTS**

3,789,451 A \* 2/1974 Laitner ..... 15/118  
4,302,862 A \* 12/1981 Machacek et al. .... 15/117  
4,908,900 A \* 3/1990 McLaughlin et al. .... 15/111  
D318,158 S \* 7/1991 Ediger et al. .... D32/42  
D345,639 S \* 3/1994 Pollak et al. .... D32/42

**1 Claim, 4 Drawing Sheets**





*FIG. 1*

FIG. 2

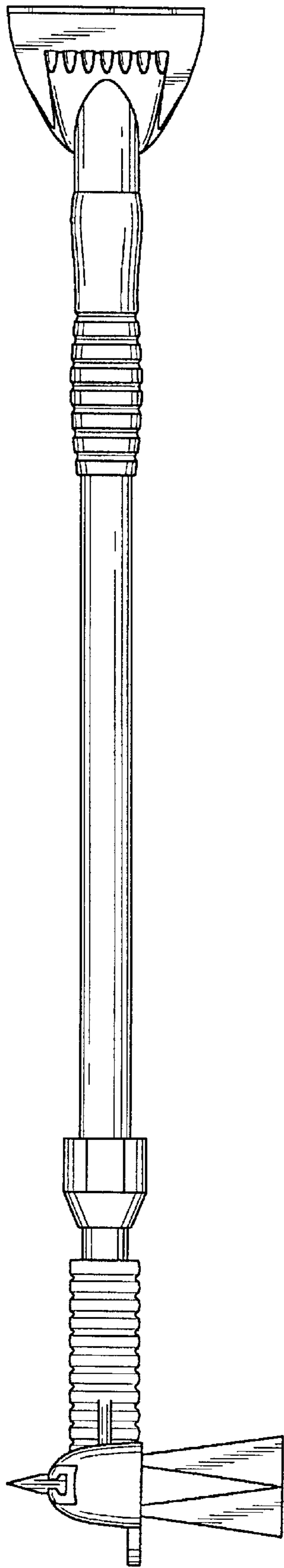
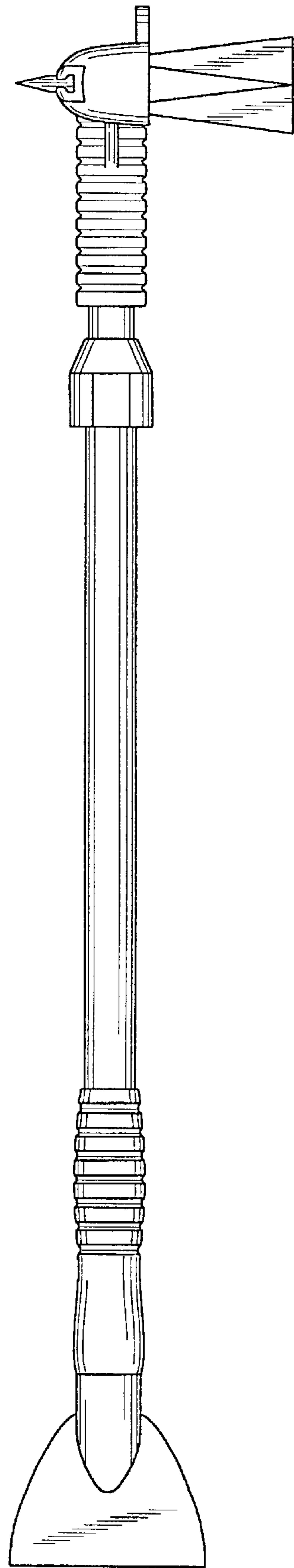
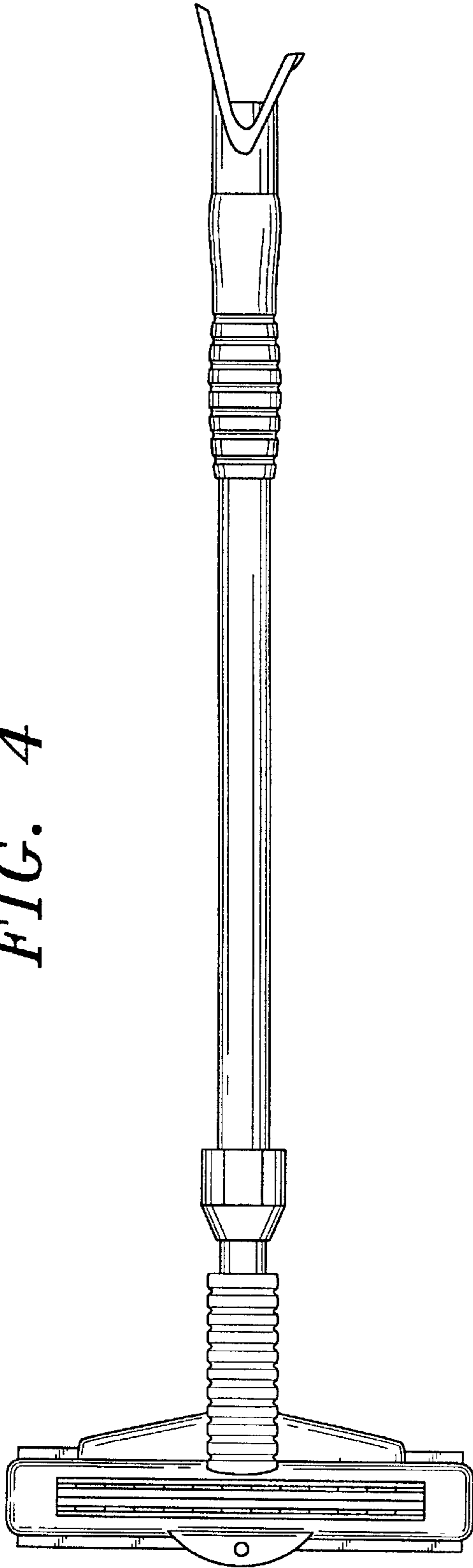


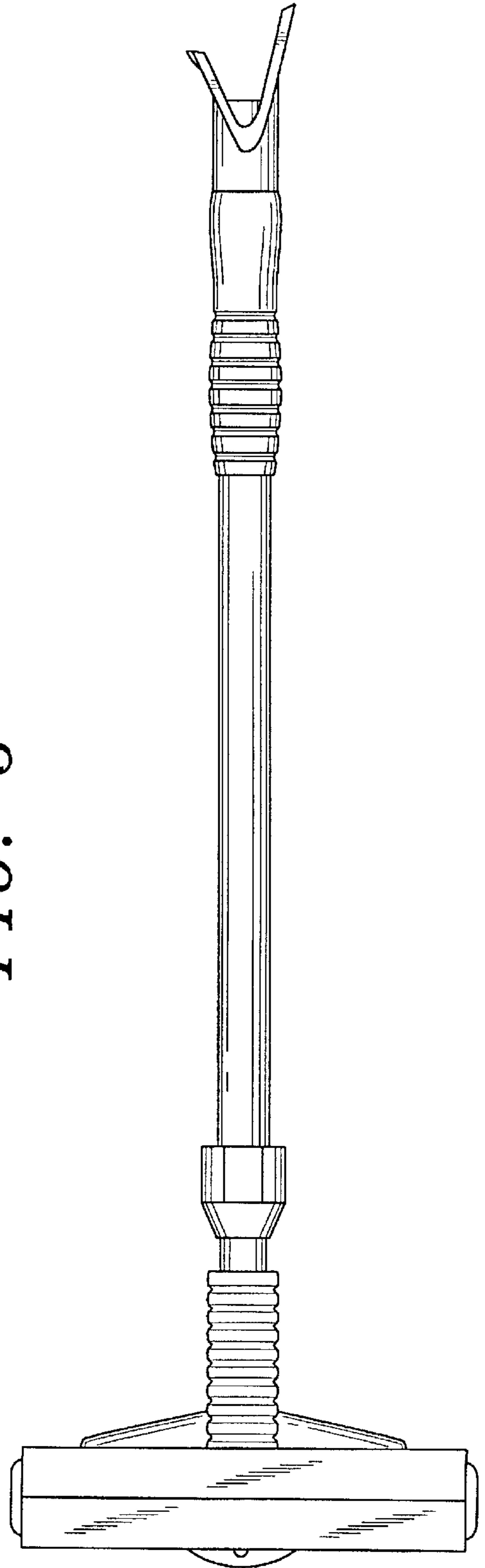
FIG. 3



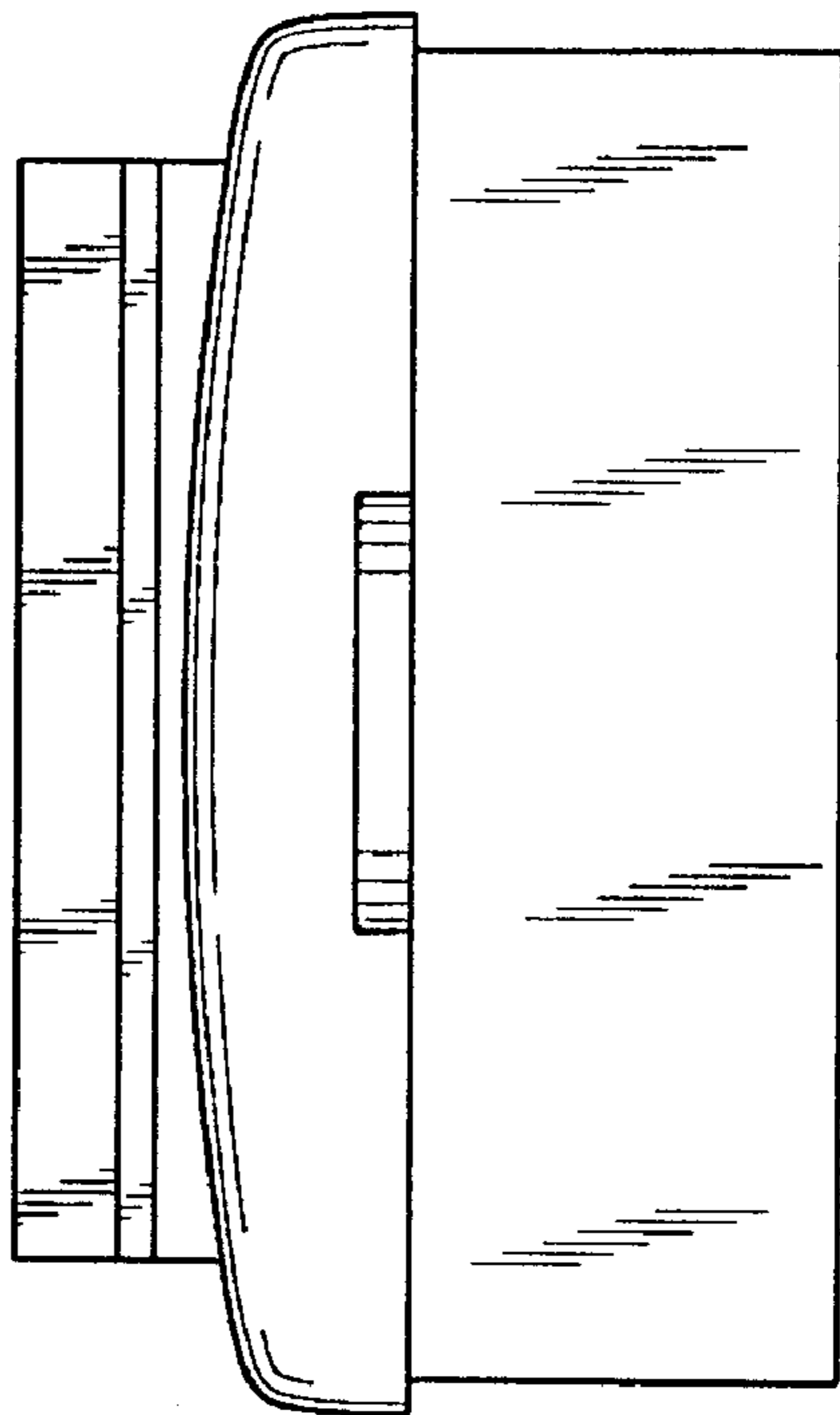
*FIG. 4*



*FIG. 5*



*FIG. 6*



*FIG. 7*

