



US00D485652S

(12) **United States Design Patent**  
**Erlich**

(10) **Patent No.:** **US D485,652 S**

(45) **Date of Patent:** **\*\* Jan. 20, 2004**

(54) **POOL VACUUM**

(76) **Inventor:** **Guy Erlich**, 2373 Broadway, Suite 425,  
New York, NY (US) 10024

(\*\*) **Term:** **14 Years**

(21) **Appl. No.:** **29/168,175**

(22) **Filed:** **Sep. 25, 2002**

(51) **LOC (7) Cl.** ..... **15-05**

(52) **U.S. Cl.** ..... **D32/21; D32/1**

(58) **Field of Search** ..... **D32/1, 17-18,**  
**D32/21-22, 23-24, 31; 15/1.7, 344, 329;**  
**210/169, 241; 137/565.23**

(56) **References Cited**

**U.S. PATENT DOCUMENTS**

3,755,843 A \* 9/1973 Goertzen et al. .... 15/1.7  
4,962,559 A \* 10/1990 Schuman ..... 15/1.7  
D325,796 S \* 4/1992 Kallenbach ..... D32/1  
D340,786 S \* 10/1993 Jones ..... D32/21

D346,888 S \* 5/1994 Stone ..... D32/1  
D430,364 S \* 8/2000 Supra ..... D32/1

\* cited by examiner

*Primary Examiner*—Ruth McInroy

(74) *Attorney, Agent, or Firm*—Stephen M. Nipper; Frank  
J. Dykas; Robert L. Shaver

(57) **CLAIM**

The ornamental design for a pool vacuum, as shown and  
described.

**DESCRIPTION**

FIG. 1 is a perspective view of a pool vacuum showing my  
new design;

FIG. 2 is a right side view thereof;

FIG. 3 is a end view thereof;

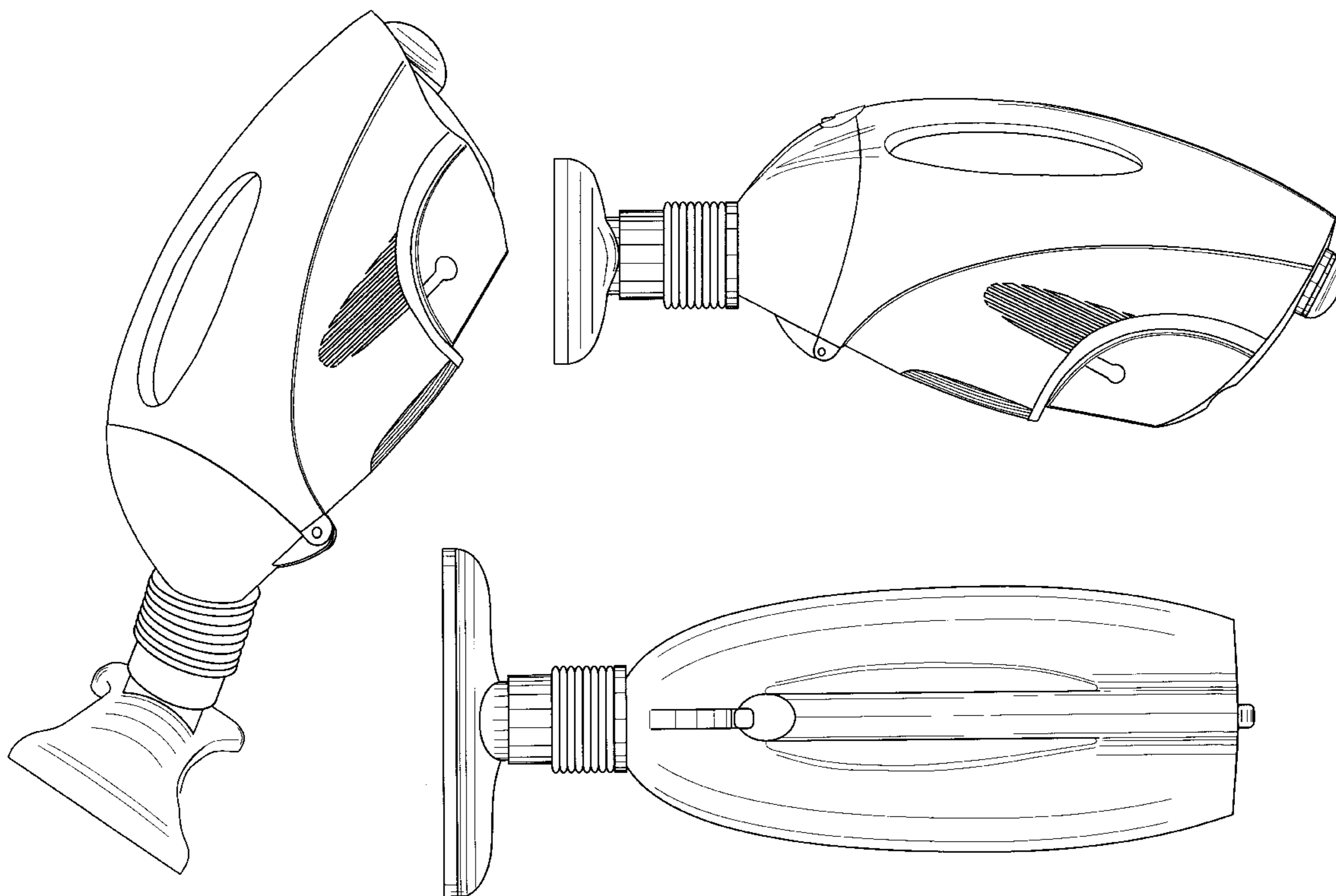
FIG. 4 is a left side view thereof;

FIG. 5 is a end view of the opposite side of FIG. 3;

FIG. 6 is a top view thereof; and,

FIG. 7 is a bottom view thereof.

**1 Claim, 7 Drawing Sheets**



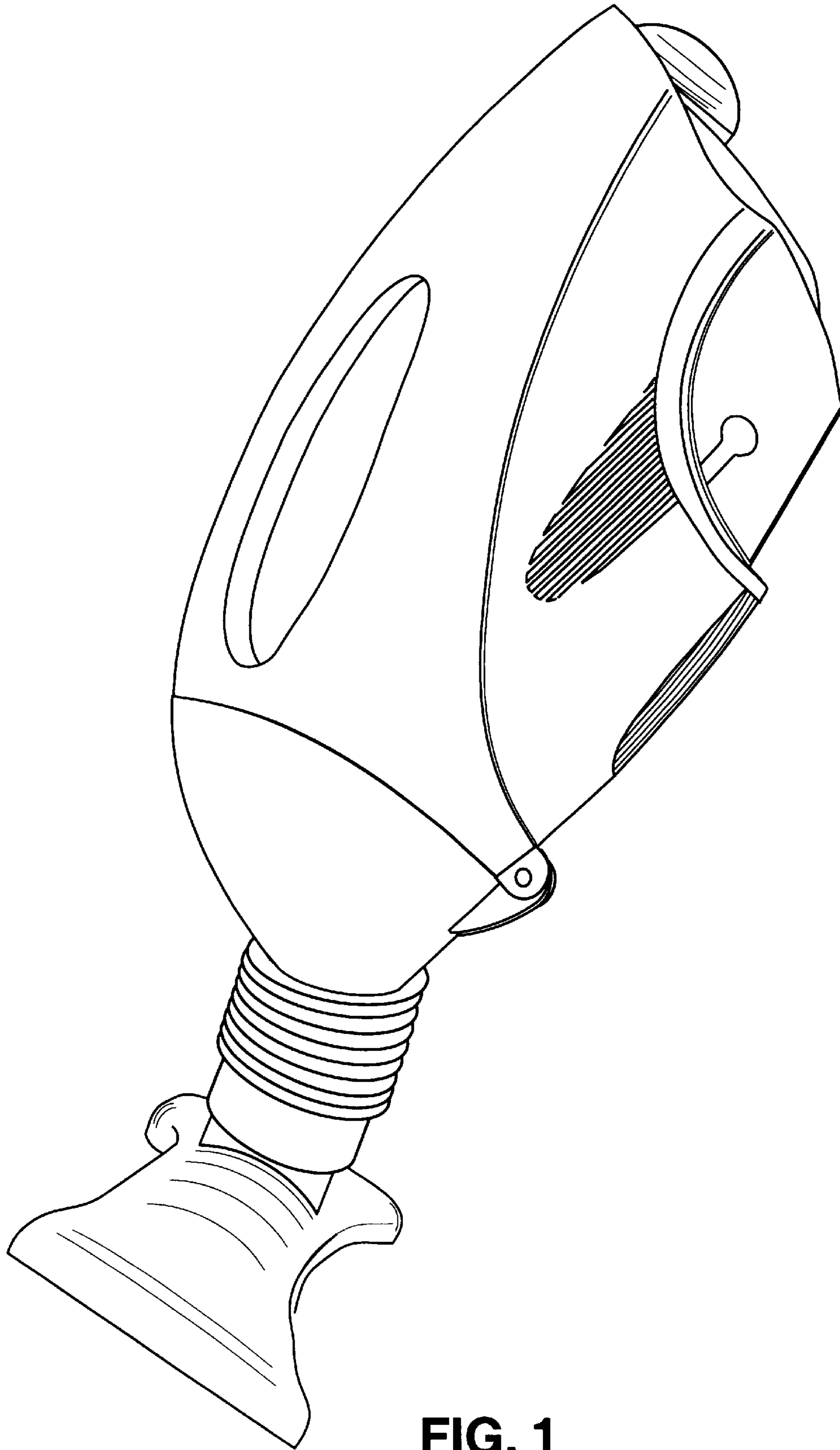


FIG. 1

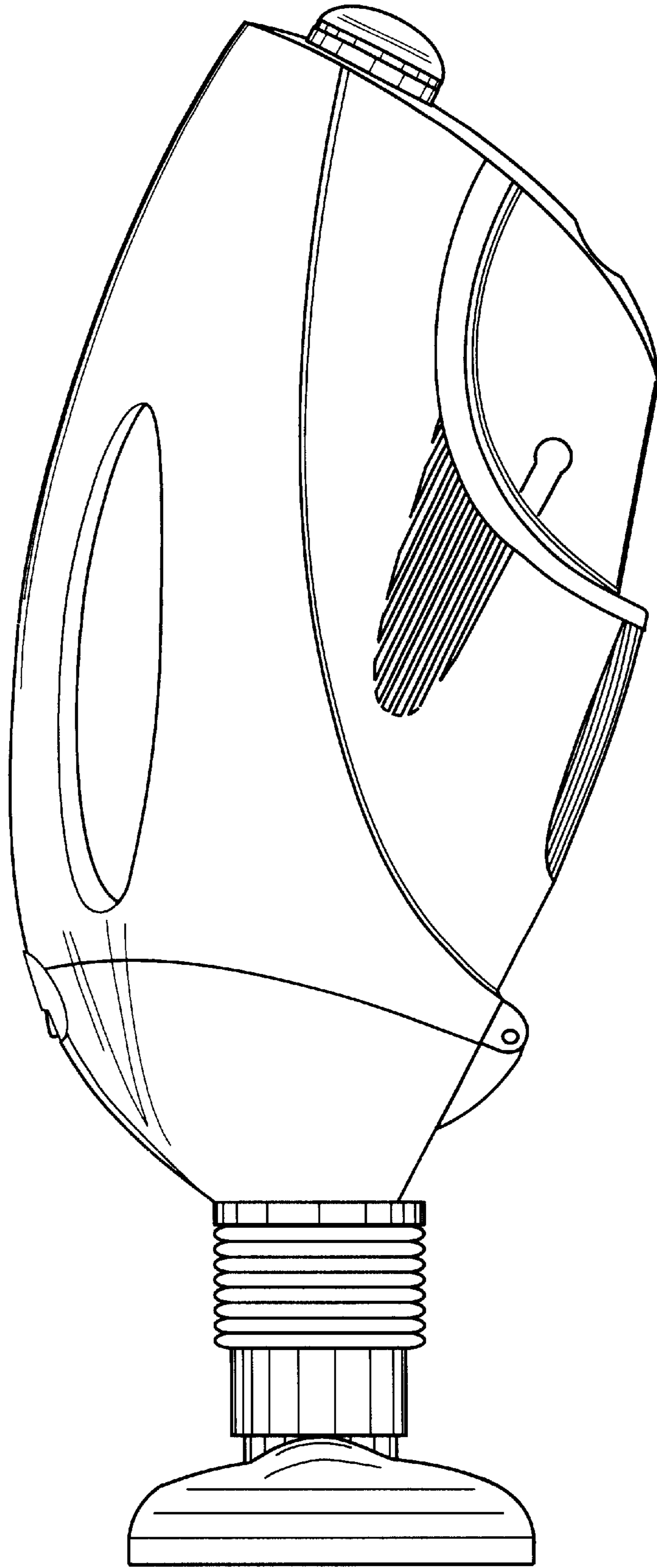
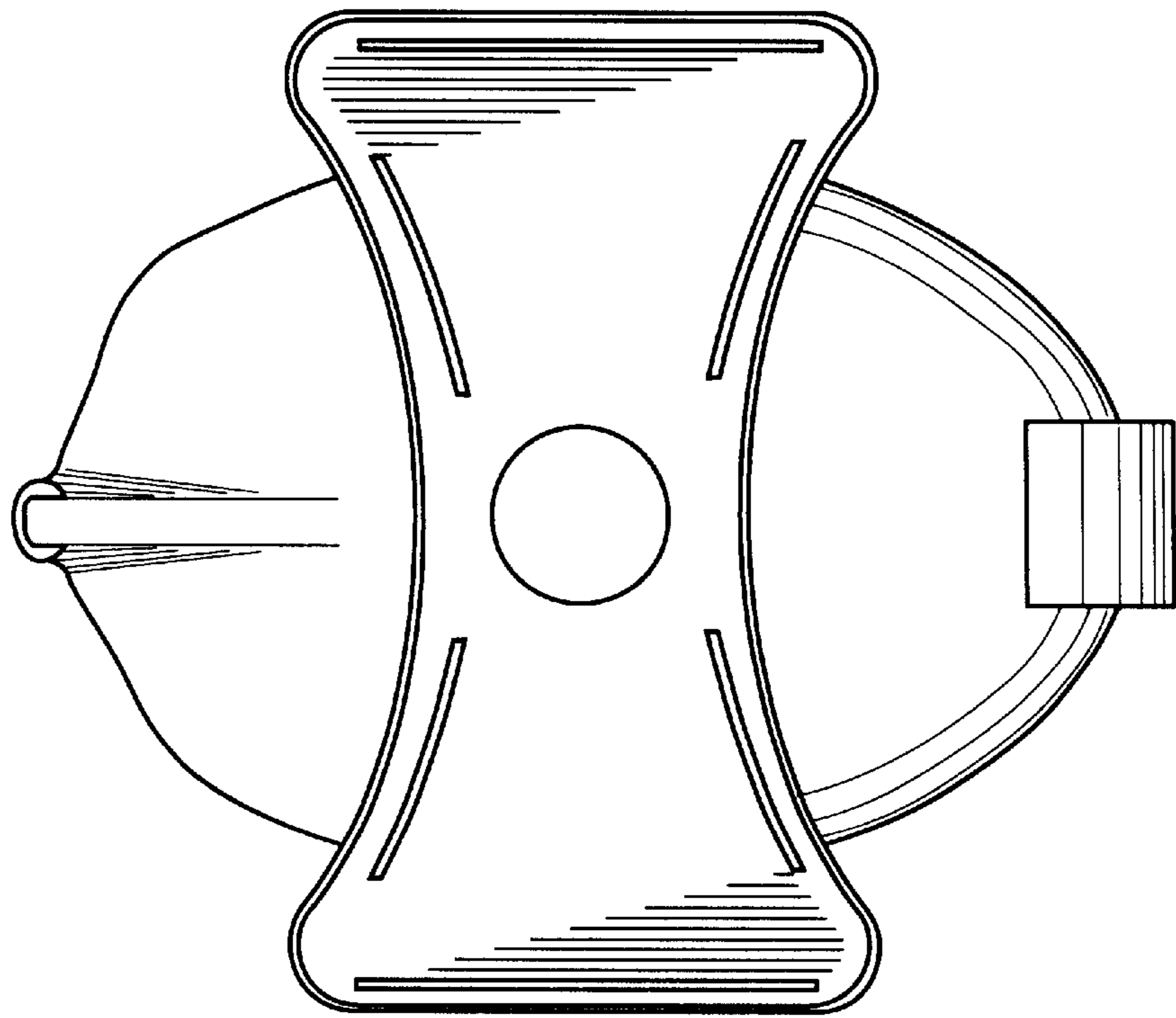
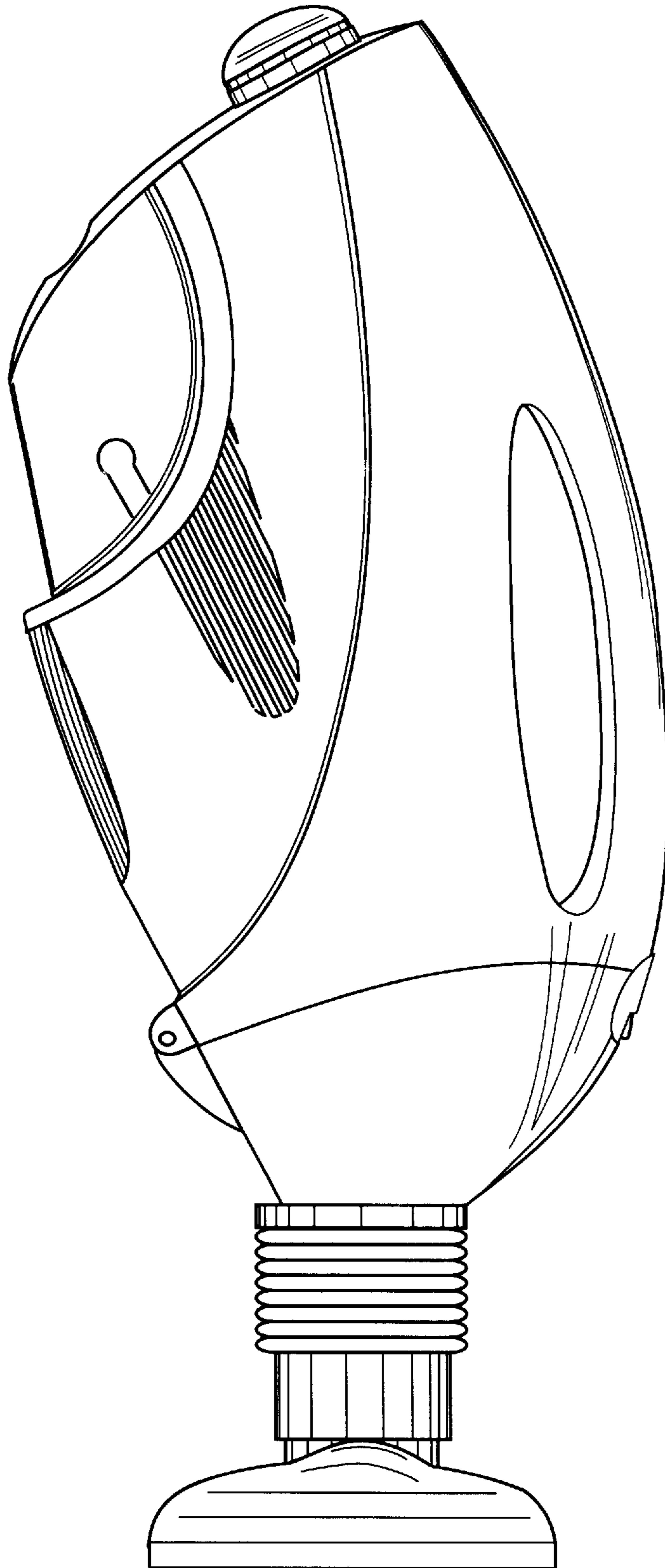


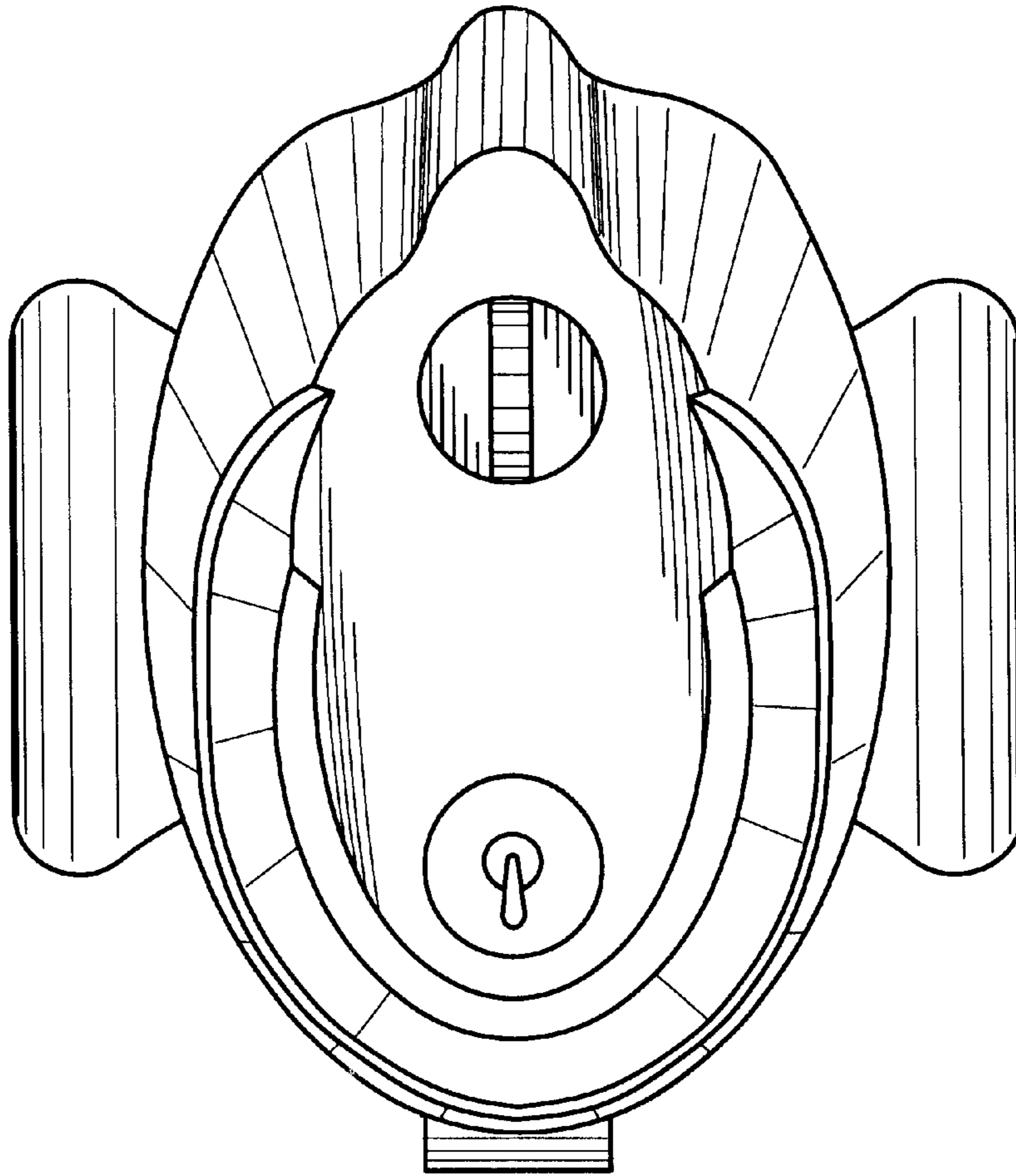
FIG. 2



**FIG. 3**



**FIG. 4**



**FIG. 5**

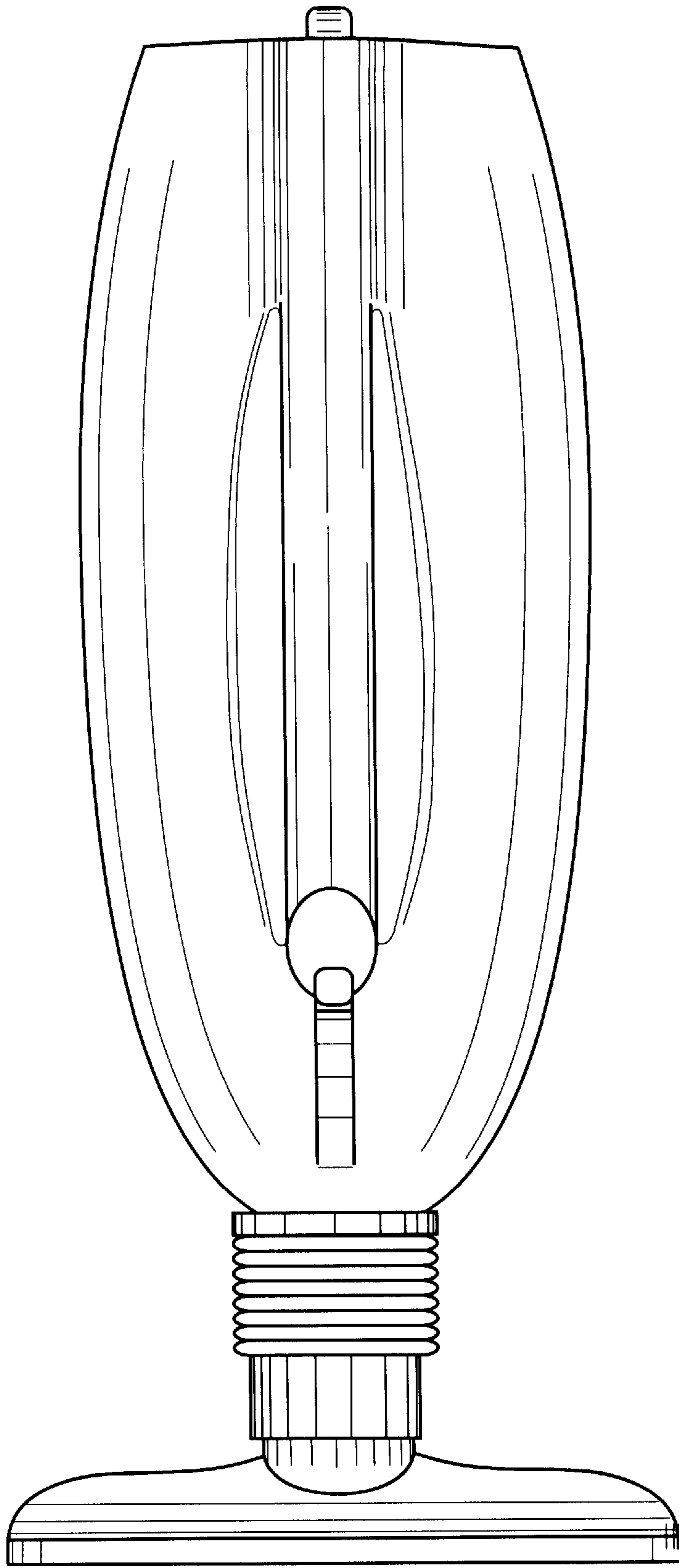


FIG. 6

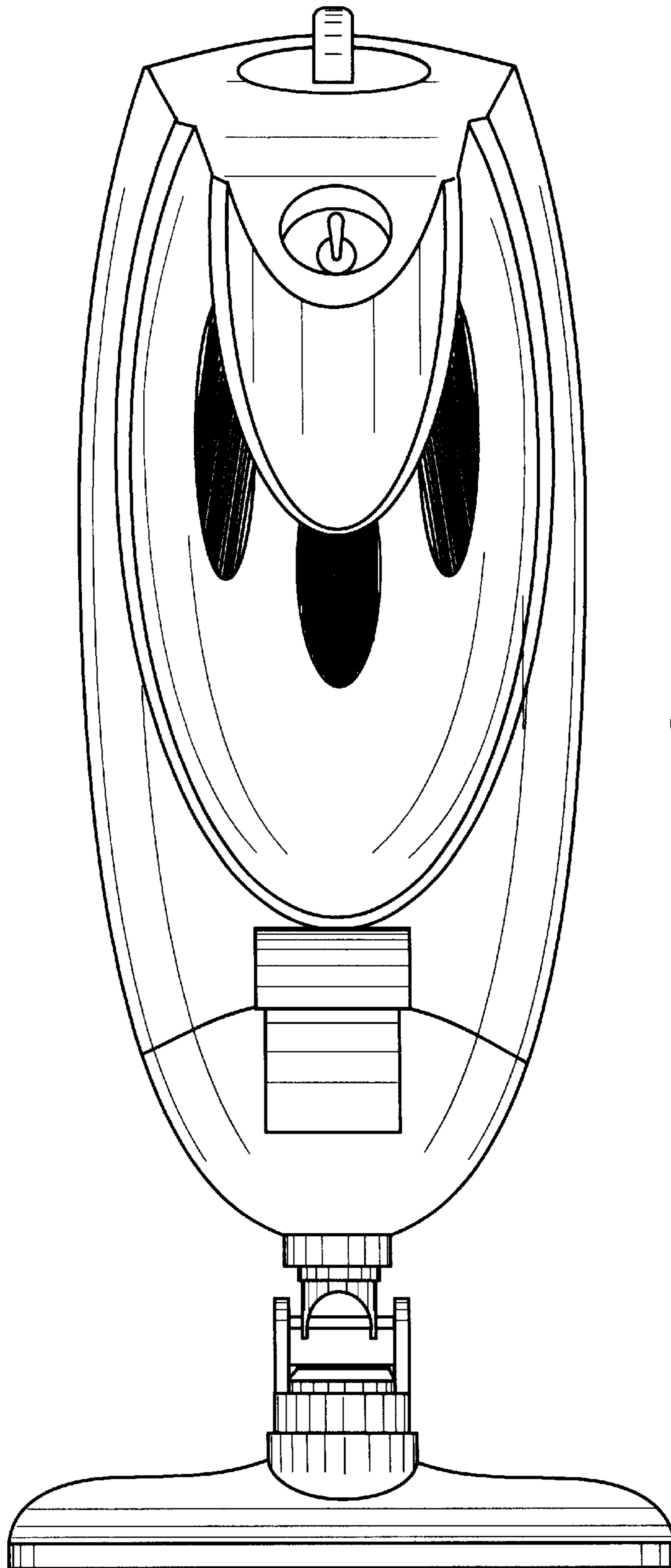


FIG. 7