



US00D485651S

(12) **United States Design Patent**
Lin

(10) **Patent No.:** **US D485,651 S**

(45) **Date of Patent:** **** Jan. 20, 2004**

(54) **STEAM CLEANER**

(75) **Inventor:** **Yu-Yuan Lin**, Tainan (TW)

(73) **Assignee:** **Uni-Splendor Corp.**, Tainan (TW)

(**) **Term:** **14 Years**

(21) **Appl. No.:** **29/174,558**

(22) **Filed:** **Jan. 21, 2003**

(51) **LOC (7) Cl.** **15-05**

(52) **U.S. Cl.** **D32/17**

(58) **Field of Search** D32/17-18, 31-33;
15/344, 353, 329, 320; D23/213, 223, 225-226;
38/3, 14, 69; 122/379; 68/5 A, 222; 392/405,
404

(56) **References Cited**

U.S. PATENT DOCUMENTS

D378,001 S	*	2/1997	Muller et al.	D32/17
D382,384 S	*	8/1997	Jones	D32/18
D421,670 S	*	3/2000	Schupp	D32/17
D436,424 S	*	1/2001	Buzzi	D32/17
D445,972 S	*	7/2001	Doria	D32/17
D447,841 S	*	9/2001	Rosa	D32/17

D452,051 S	*	12/2001	Antonio	D32/17
D465,886 S	*	11/2002	Alexandro	D32/17
D468,496 S	*	1/2003	Smith	D32/17
D475,164 S	*	5/2003	Murray et al.	D32/17
D475,819 S	*	6/2003	Milanese	D32/17

* cited by examiner

Primary Examiner—Ruth McInroy

(74) *Attorney, Agent, or Firm*—Alan D. Kamrath; Rider Bennett, LLP

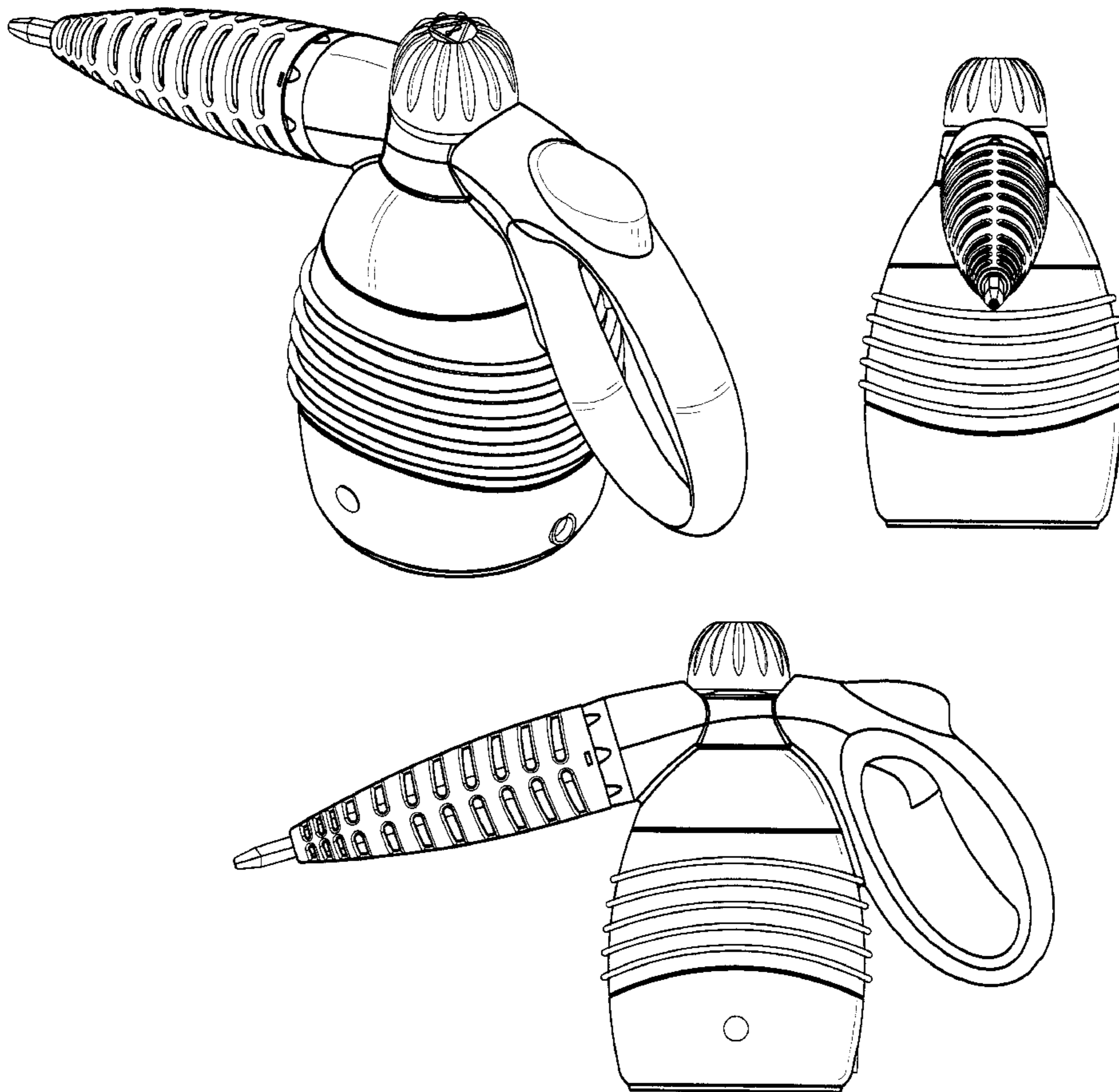
(57) **CLAIM**

The ornamental design for a steam cleaner, as shown and described.

DESCRIPTION

FIG. 1 is a perspective view of a steam cleaner showing my new design;
FIG. 2 is a front side elevational view thereof;
FIG. 3 is a rear side elevational view thereof;
FIG. 4 is a left side elevational view thereof;
FIG. 5 is a right side elevational view thereof;
FIG. 6 is a top plan view thereof; and,
FIG. 7 is a bottom plan view thereof.

1 Claim, 3 Drawing Sheets



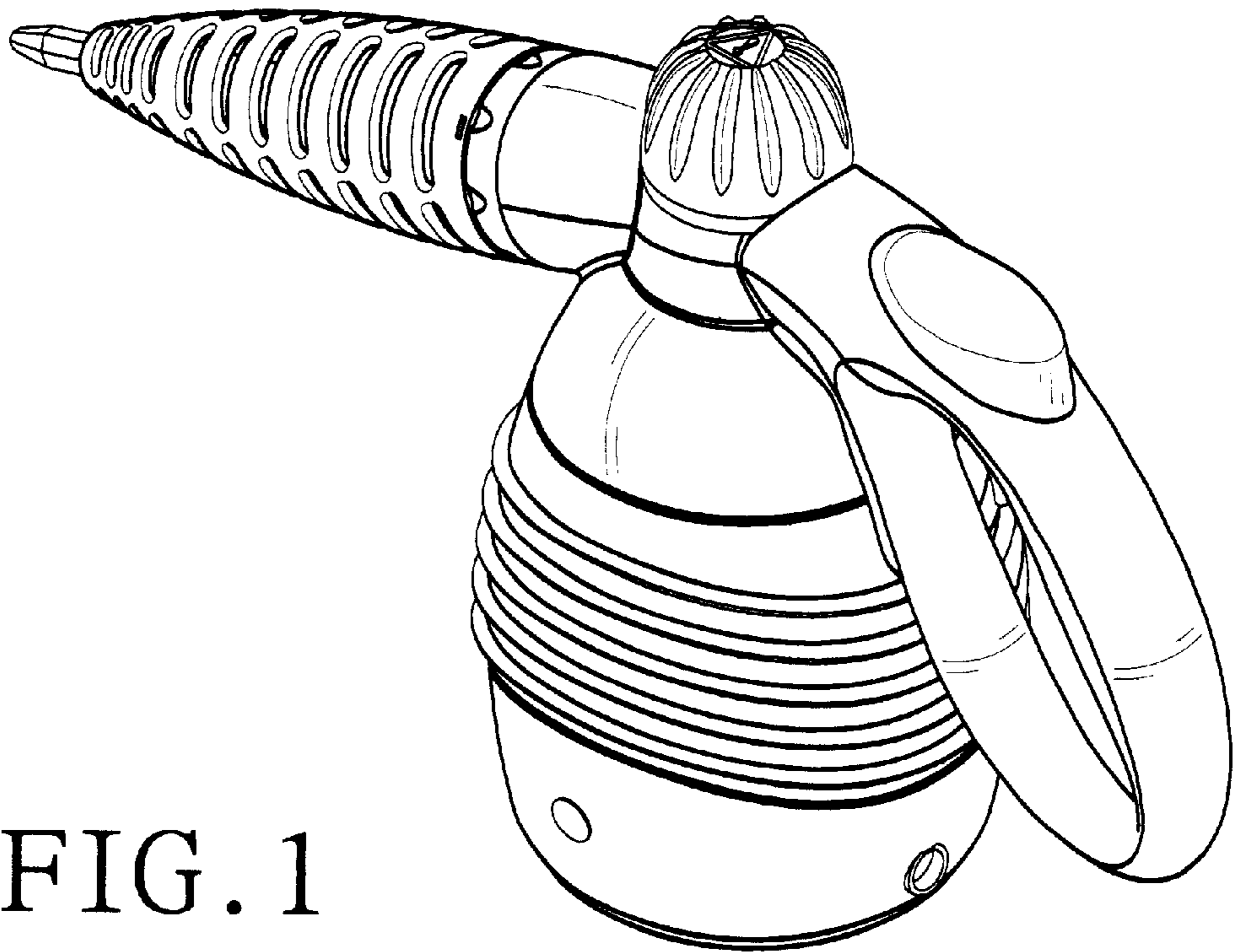


FIG. 1

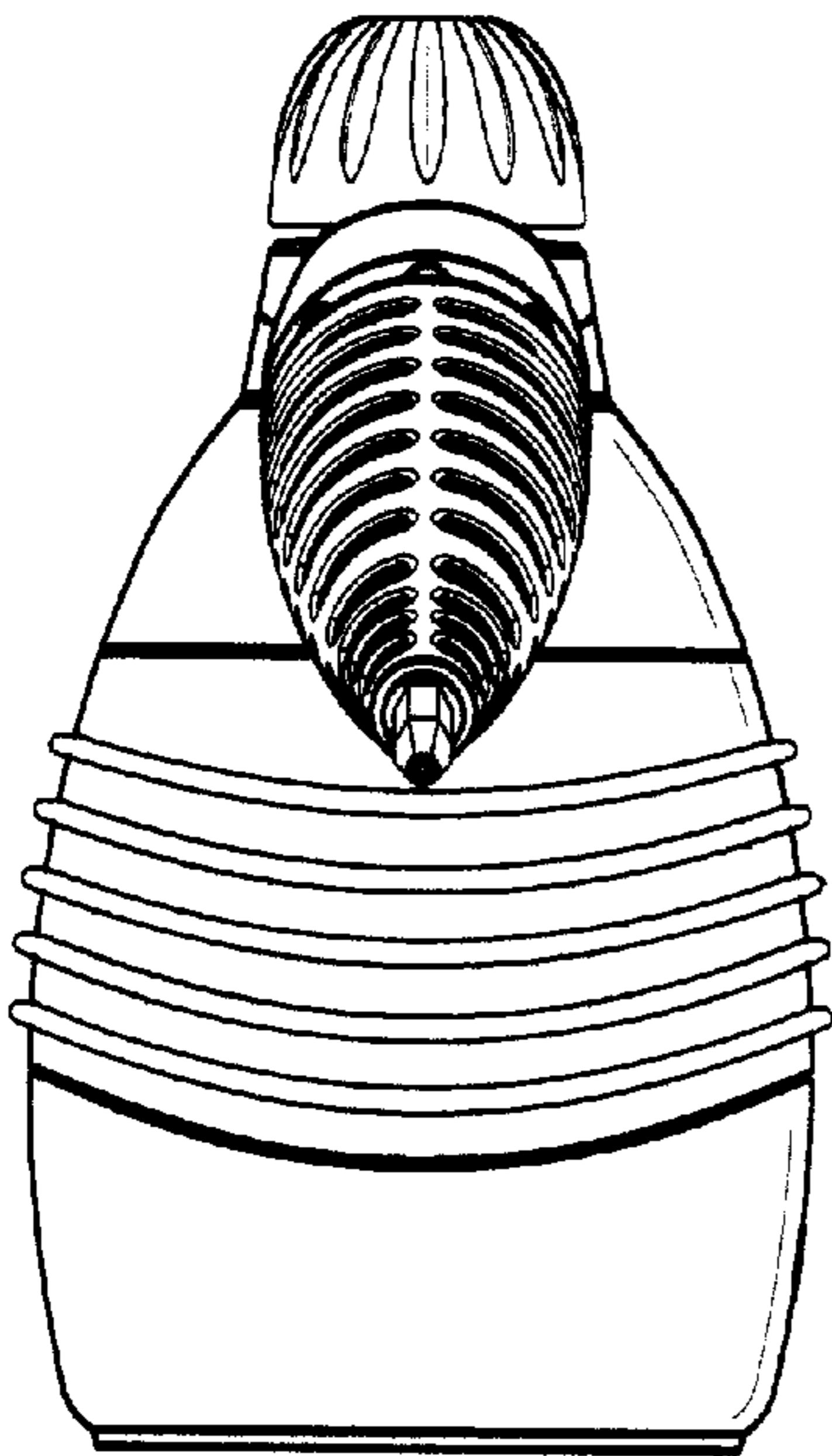


FIG. 2

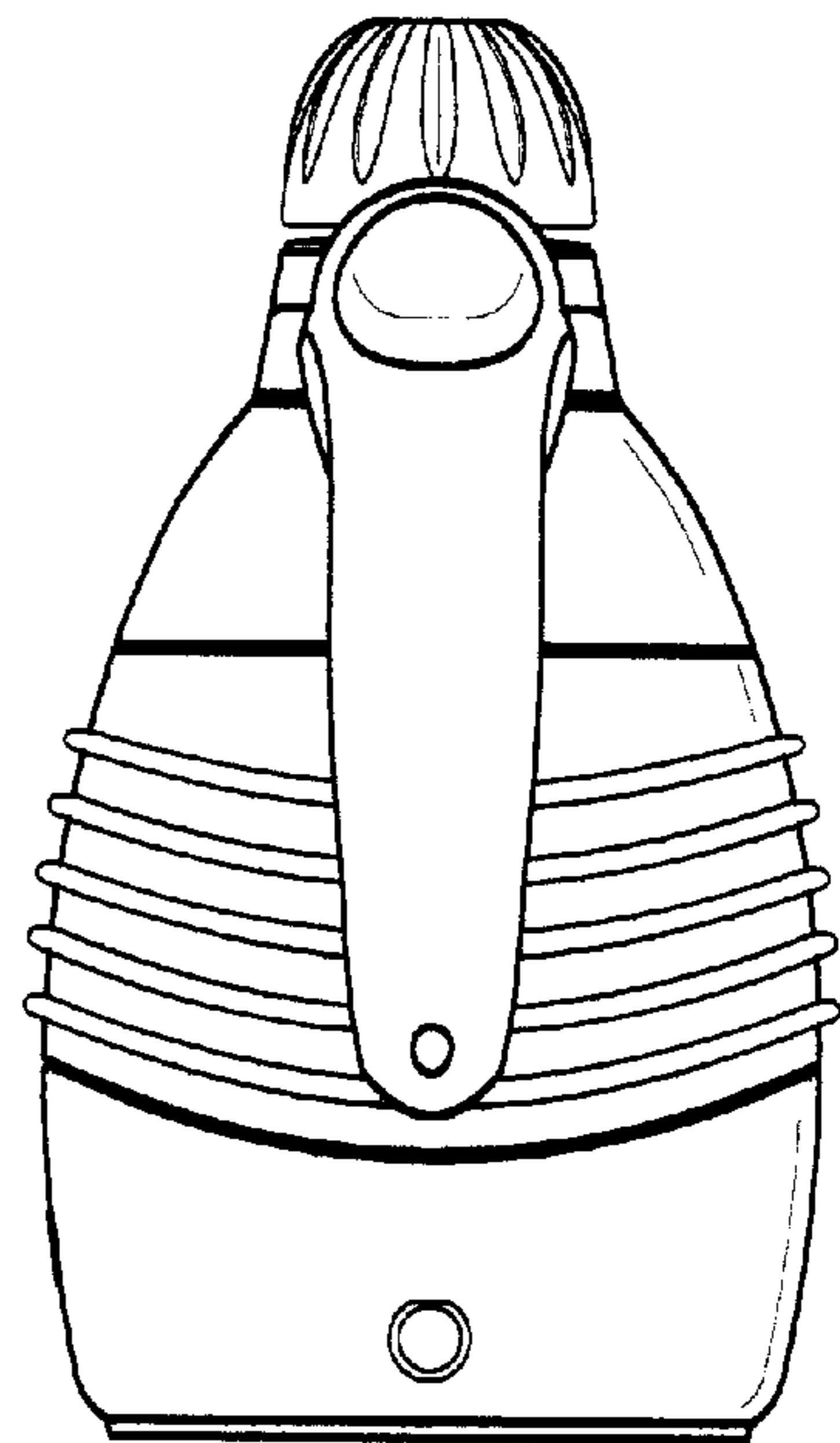


FIG. 3

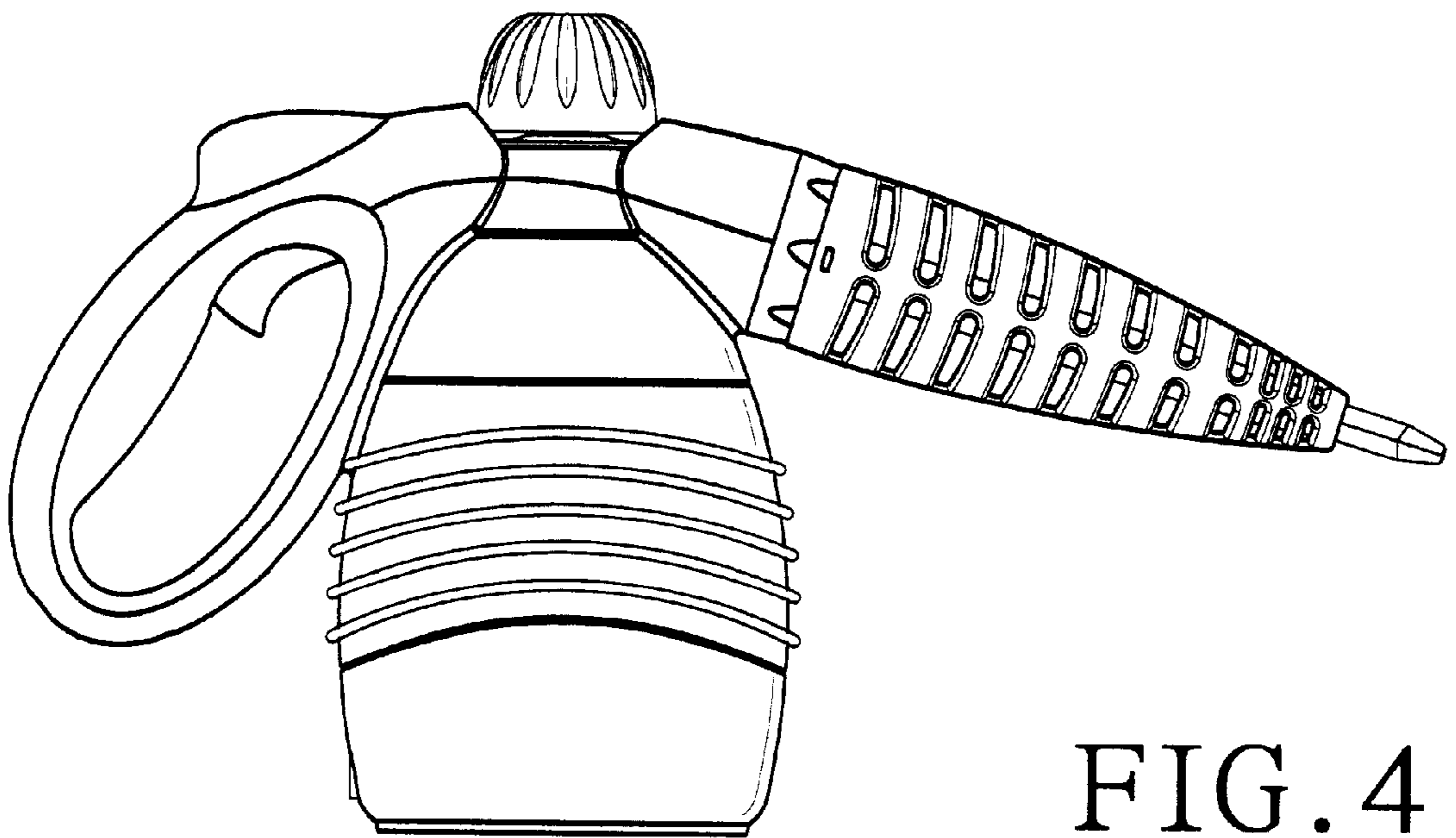


FIG. 4

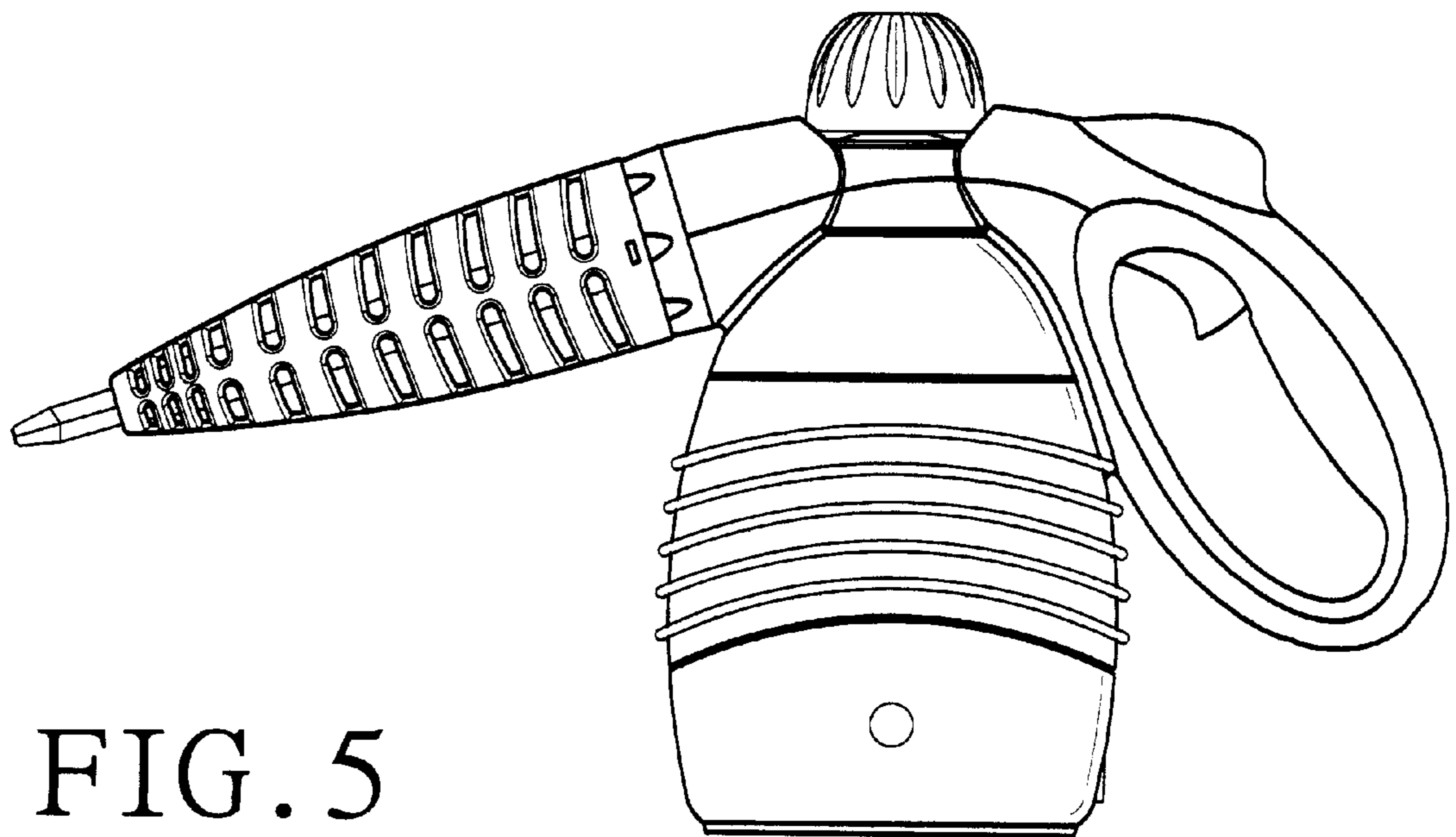


FIG. 5

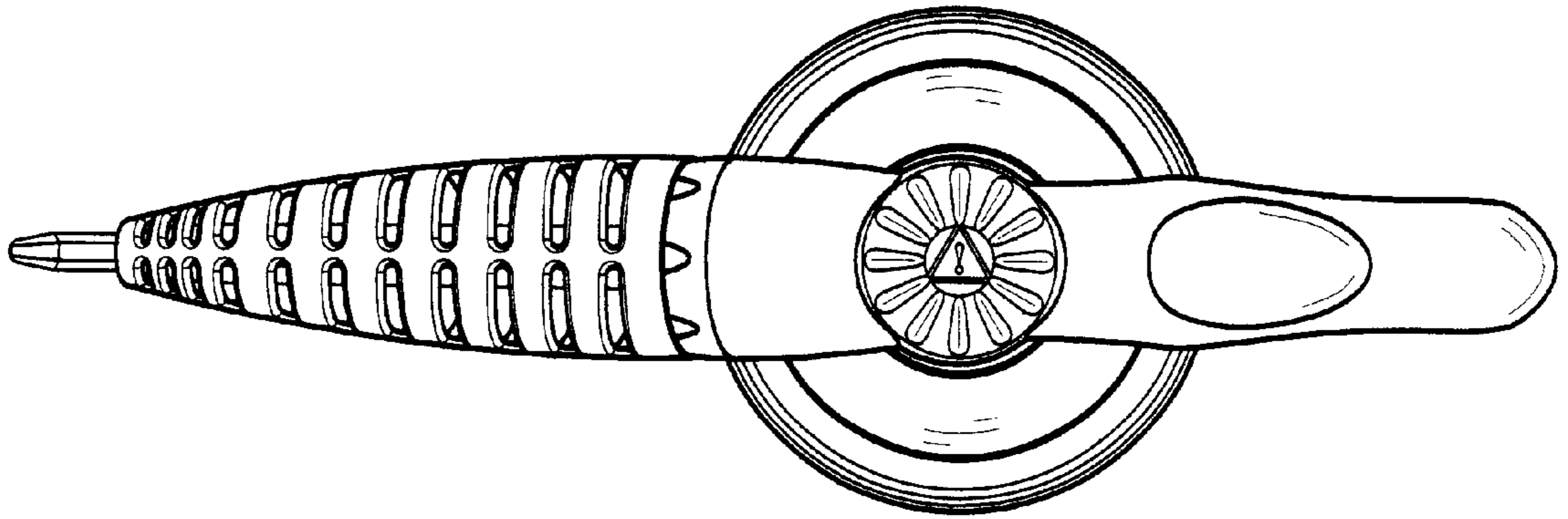


FIG. 6

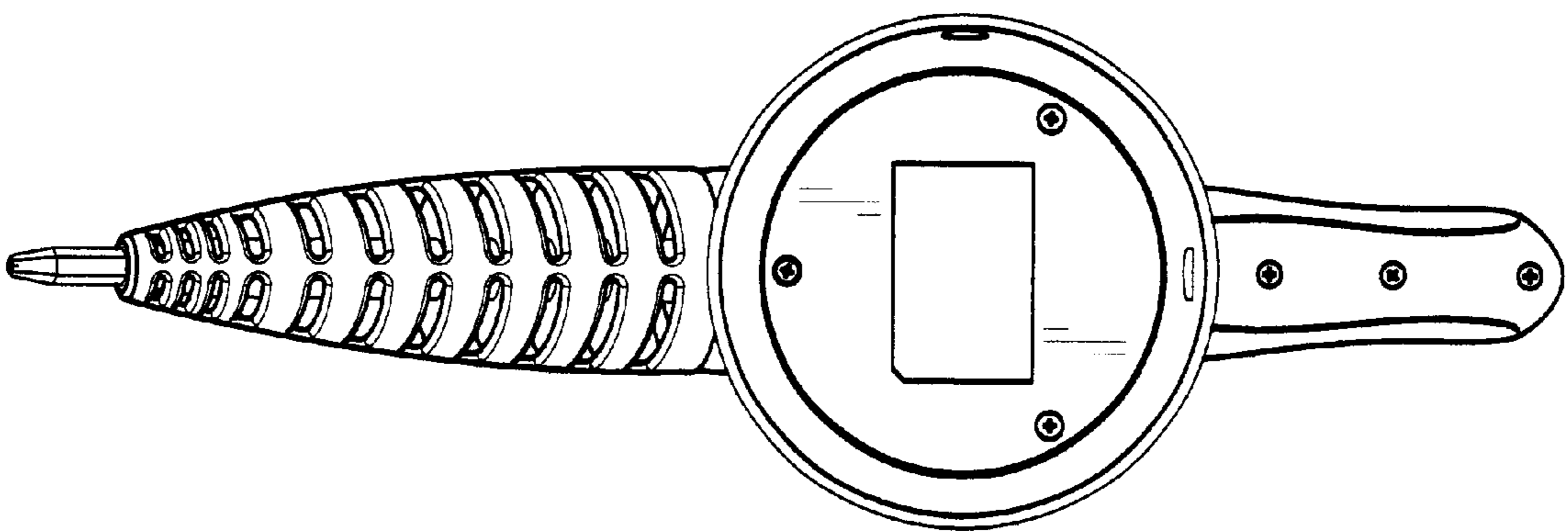


FIG. 7