



US00D485649S

(12) **United States Design Patent**
Fick

(10) **Patent No.:** **US D485,649 S**

(45) **Date of Patent:** **** Jan. 20, 2004**

(54) **NESTABLE DOG HOUSE**

(75) Inventor: **Orval Lee Fick**, Miami, OK (US)

(73) Assignee: **Blitz U.S.A., Inc.**, Miami, OK (US)

(**) Term: **14 Years**

(21) Appl. No.: **29/170,684**

(22) Filed: **Nov. 13, 2002**

(51) **LOC (7) Cl.** **30-02**

(52) **U.S. Cl.** **D30/108**

(58) **Field of Search** D30/108, 109,
D30/110, 111, 112, 124, 125, 126, 161,
118; 119/499, 485, 498, 482, 496, 28.5,
452, 57.8, 161-170; D21/507, 508, 511,
836

(56) **References Cited**

U.S. PATENT DOCUMENTS

D308,429 S	6/1990	Van Skiver	
D312,333 S	11/1990	Van Skiver	
D314,251 S	1/1991	Van Skiver	
D327,143 S	* 6/1992	Dickinson D30/108
D334,634 S	* 4/1993	Greitzer D30/108
D349,980 S	* 8/1994	Northrop et al. D30/108
D353,029 S	11/1994	Northrop et al.	

D360,709 S	7/1995	Northrop et al.	
D364,712 S	11/1995	Murphy et al.	
D366,541 S	* 1/1996	Bradburn et al. D30/112
D366,736 S	1/1996	Northrop et al.	
D367,732 S	3/1996	Murphy et al.	
5,791,293 A	8/1998	Northrop et al.	
5,964,189 A	10/1999	Northrop et al.	
D420,470 S	2/2000	Kolozsvari et al.	

OTHER PUBLICATIONS

Digital photographs of prior art dog house distributed by Pet Nation under the designation "Premium Large Doghouse" prior to Nov. 13, 2002 (Exhibits A-D), Rendering of same dog house (Exhibit E).

* cited by examiner

Primary Examiner—Cathy Anne MacCormac
(74) *Attorney, Agent, or Firm*—Hovey Williams LLP

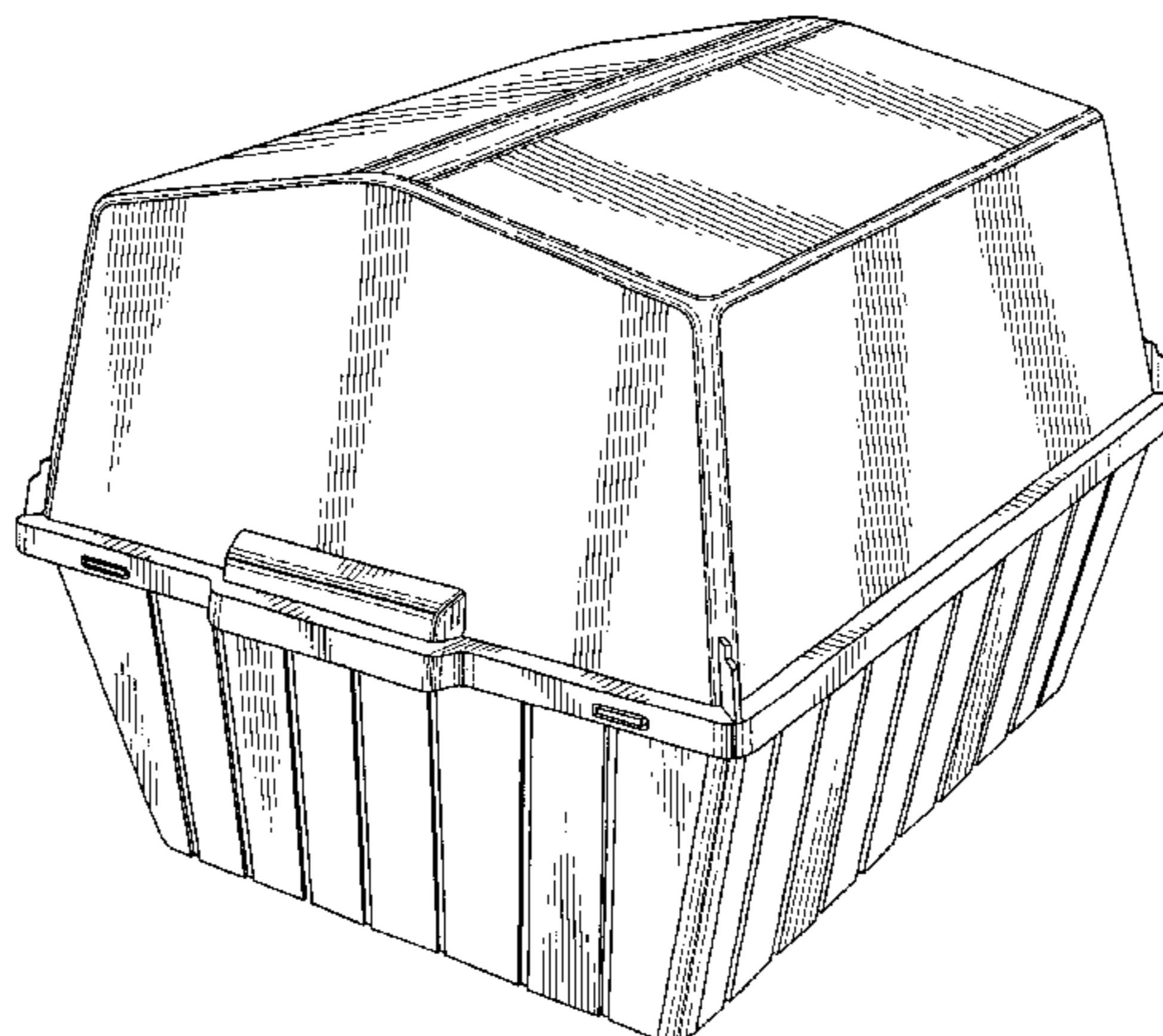
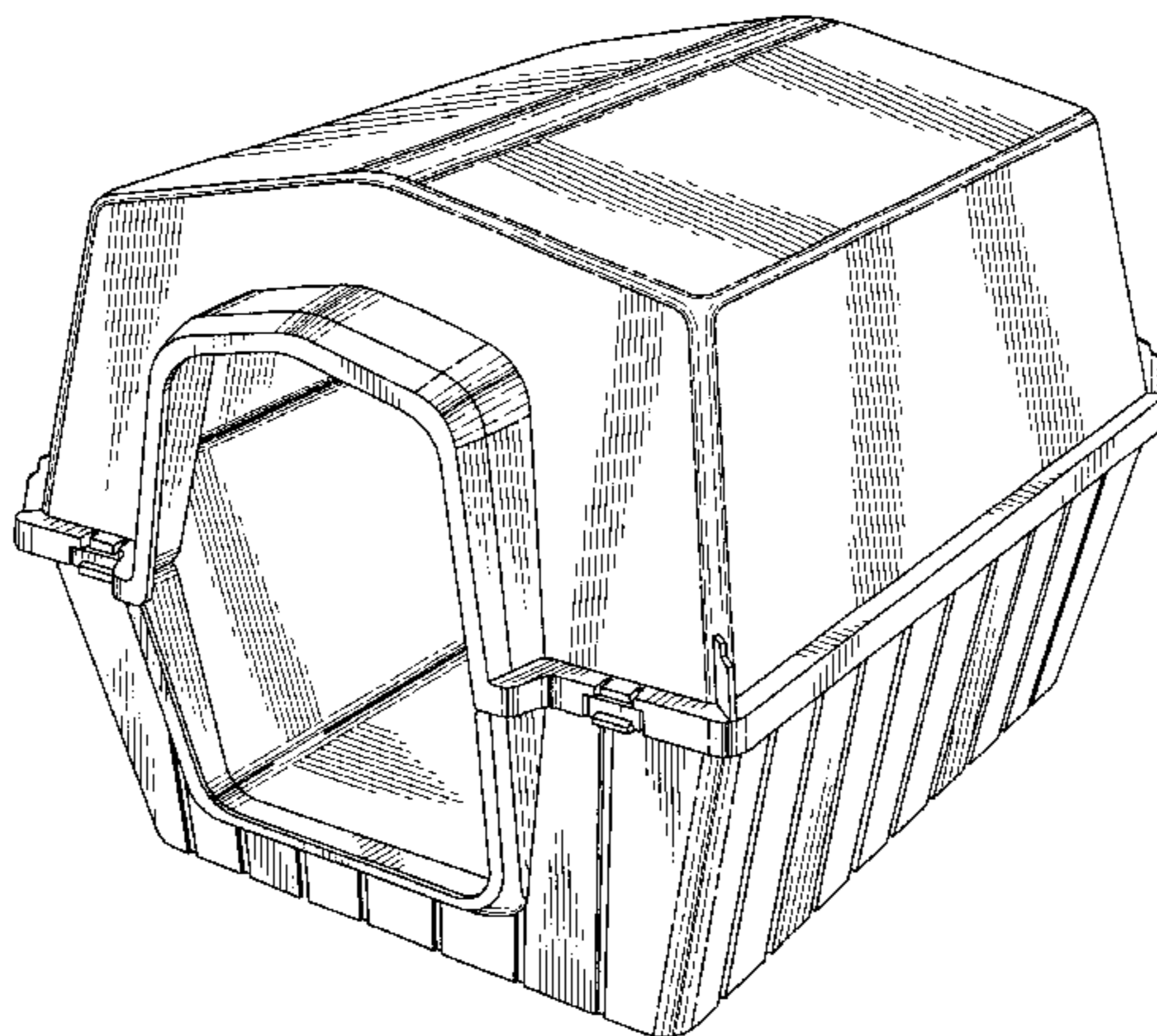
(57) **CLAIM**

The ornamental design for a nestable dog house, as shown and described.

DESCRIPTION

FIG. 1 is a front perspective view; and,
FIG. 2 is a rear perspective view.

1 Claim, 1 Drawing Sheet



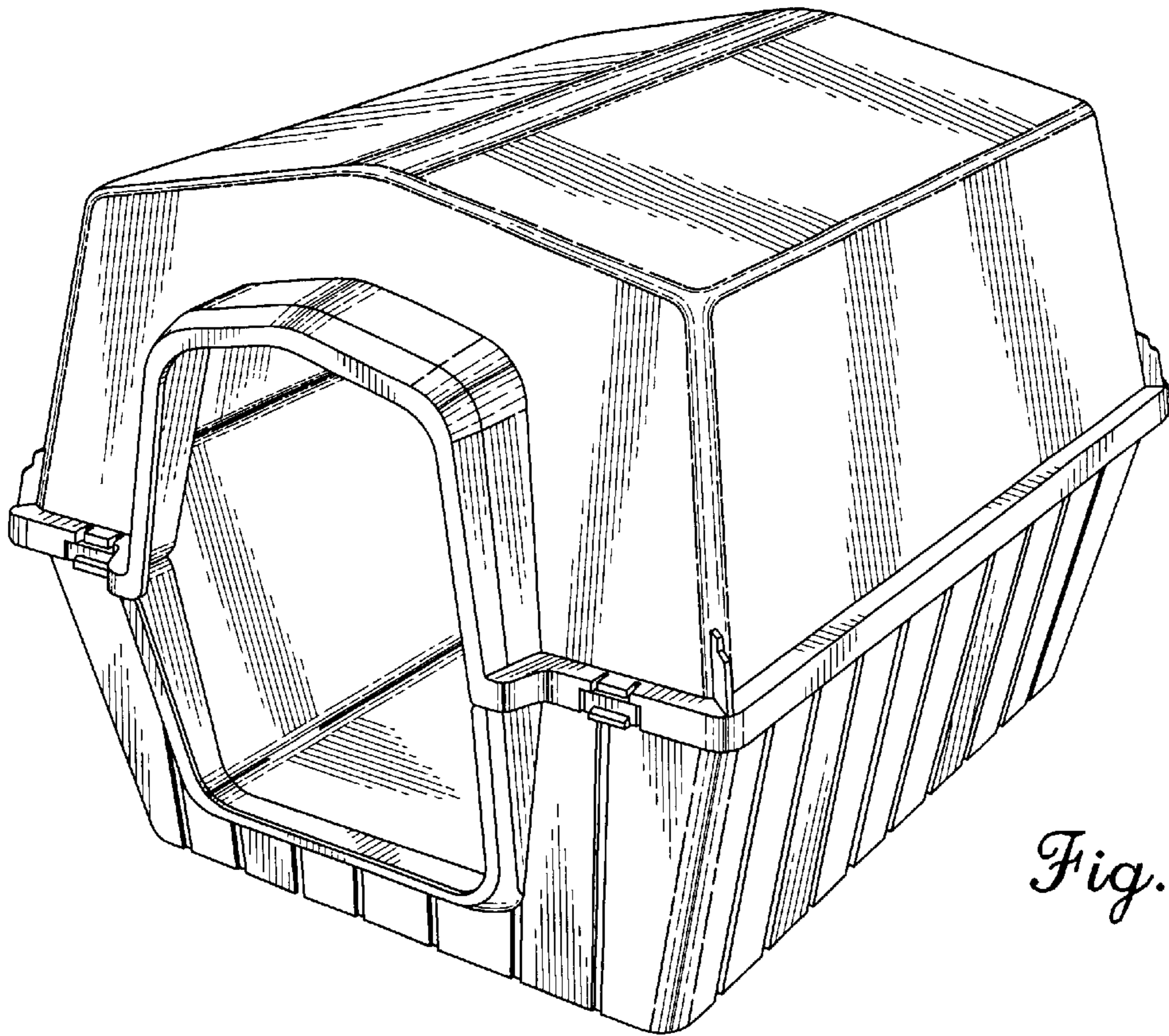


Fig. 1.

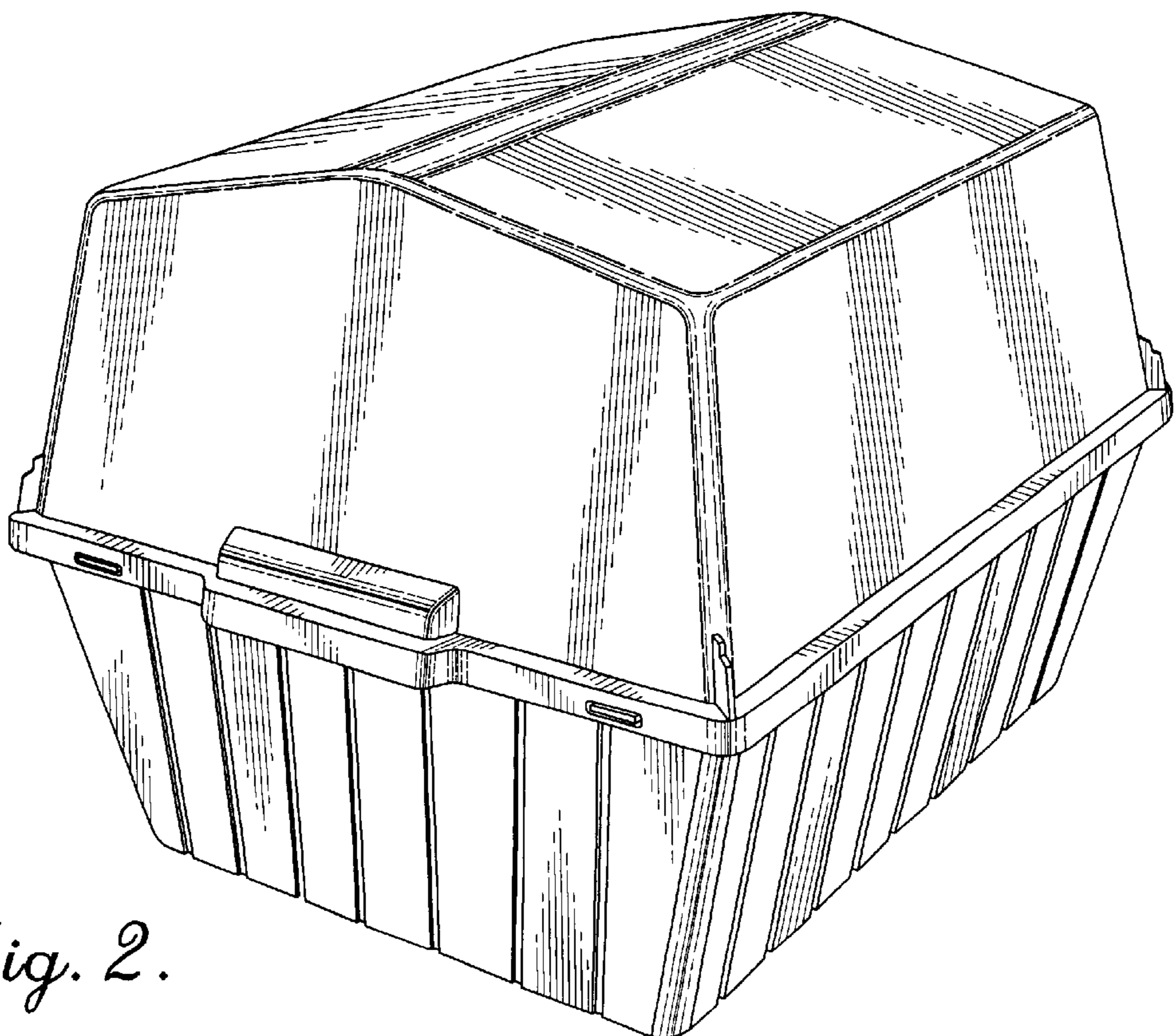


Fig. 2.