



US00D485644S

(12) **United States Design Patent**
Winn et al.

(10) **Patent No.:** **US D485,644 S**

(45) **Date of Patent:** **** Jan. 20, 2004**

(54) **CLAW CLIP**

(75) Inventors: **Jason M. Winn**, Chatsworth, CA (US);
Travis K. Winn, Chatsworth, CA (US)

(73) Assignee: **Trippie Klipz, Inc.**, Chatsworth, CA
(US)

(**) Term: **14 Years**

(21) Appl. No.: **29/180,417**

(22) Filed: **Apr. 23, 2003**

(51) **LOC (7) Cl.** **28-03**

(52) **U.S. Cl.** **D28/43; D28/40**

(58) **Field of Search** D28/39-43; 132/273-284;
D8/395; 24/510, 511

(56) **References Cited**

U.S. PATENT DOCUMENTS

5,520,201 A *	5/1996	Hart et al.	132/277
5,549,127 A	8/1996	Chang	132/277
D375,817 S	11/1996	Nicholson	D28/42
5,642,740 A	7/1997	Chen	132/277
5,699,814 A	12/1997	Potut	132/277
5,735,296 A	4/1998	Chen	132/277
5,749,382 A	5/1998	Tsai	132/275
5,803,096 A	9/1998	Lee	132/277
5,842,482 A	12/1998	Potut	132/277
5,842,485 A	12/1998	Potut	132/277
5,862,815 A	1/1999	Murphy et al.	132/277
5,873,377 A	2/1999	Yang	132/277
5,881,741 A	3/1999	Chen	132/277

D410,302 S	5/1999	Yasuda	D28/40
5,975,092 A *	11/1999	Tsai	132/275
5,979,467 A	11/1999	Potut et al.	132/277
5,988,184 A *	11/1999	Shu	132/277
6,082,371 A	7/2000	Bader-Saltzman et al. ..	132/276
6,135,125 A *	10/2000	Sartena	132/275
D435,940 S *	1/2001	Sartena	D28/92
6,325,074 B1	12/2001	Strawn	132/277
6,357,452 B2	3/2002	Bolito	132/277
6,408,859 B1	6/2002	Shyu	132/276
D473,014 S *	4/2003	Shyu	D28/40
2001/0006046 A1	7/2001	Bolito	

* cited by examiner

Primary Examiner—Lucy Lieberman

(74) *Attorney, Agent, or Firm*—Cislo & Thomas LLP

(57) **CLAIM**

The ornamental design for a claw clip, as shown and described.

DESCRIPTION

FIG. 1. is a front perspective view of the claw clip;
FIG. 2 is a left side view of the claw clip, the right side view is a mirror image of the left side;
FIG. 3. is a top view thereof;
FIG. 4. is a bottom view thereof;
FIG. 5. is a front view thereof; and,
FIG. 6. is a rear view thereof.

The broken lines showing a portion of the claw clip are for illustrative purposes only and do not form part of the claimed design.

1 Claim, 3 Drawing Sheets

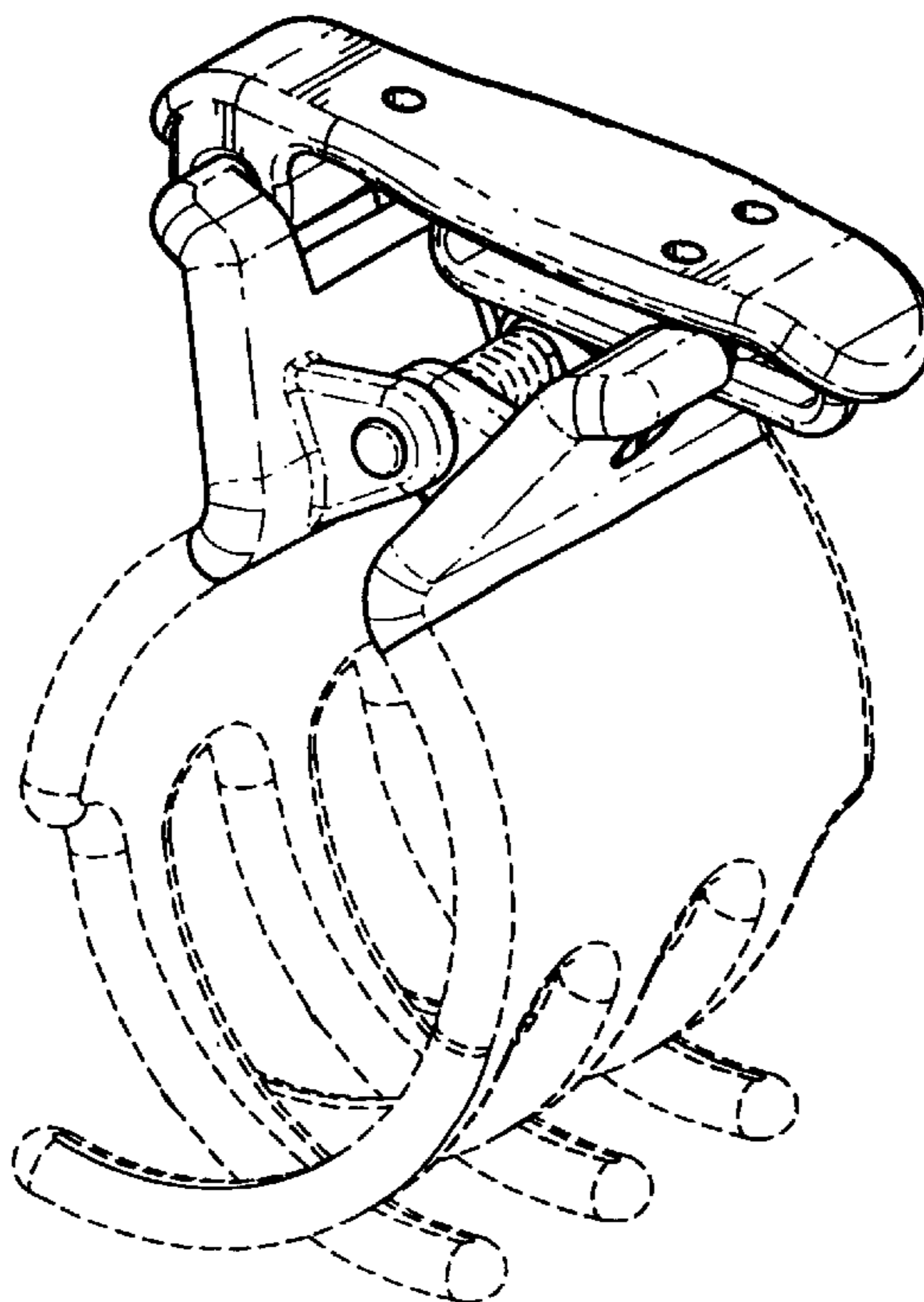


FIG. 1

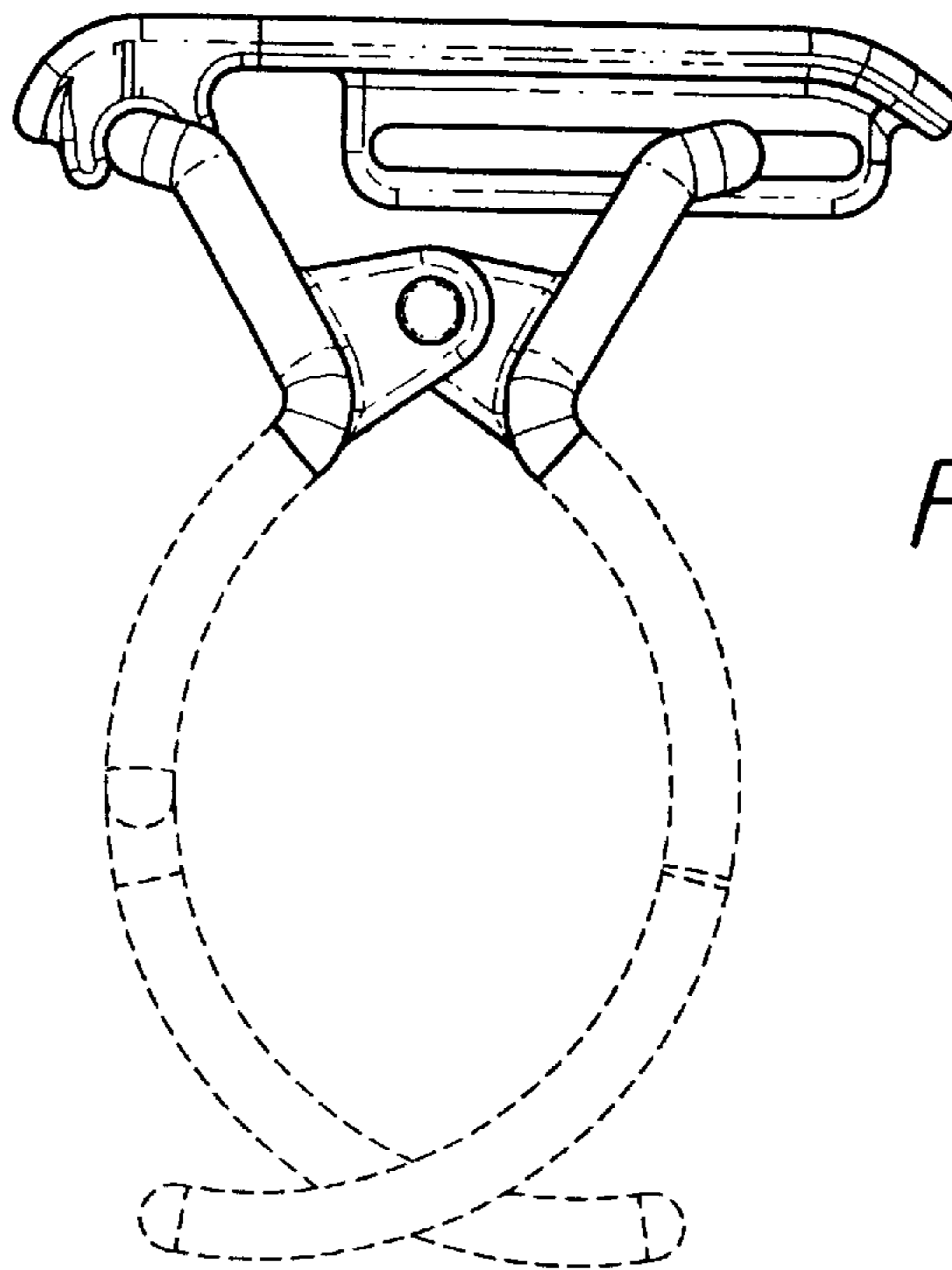
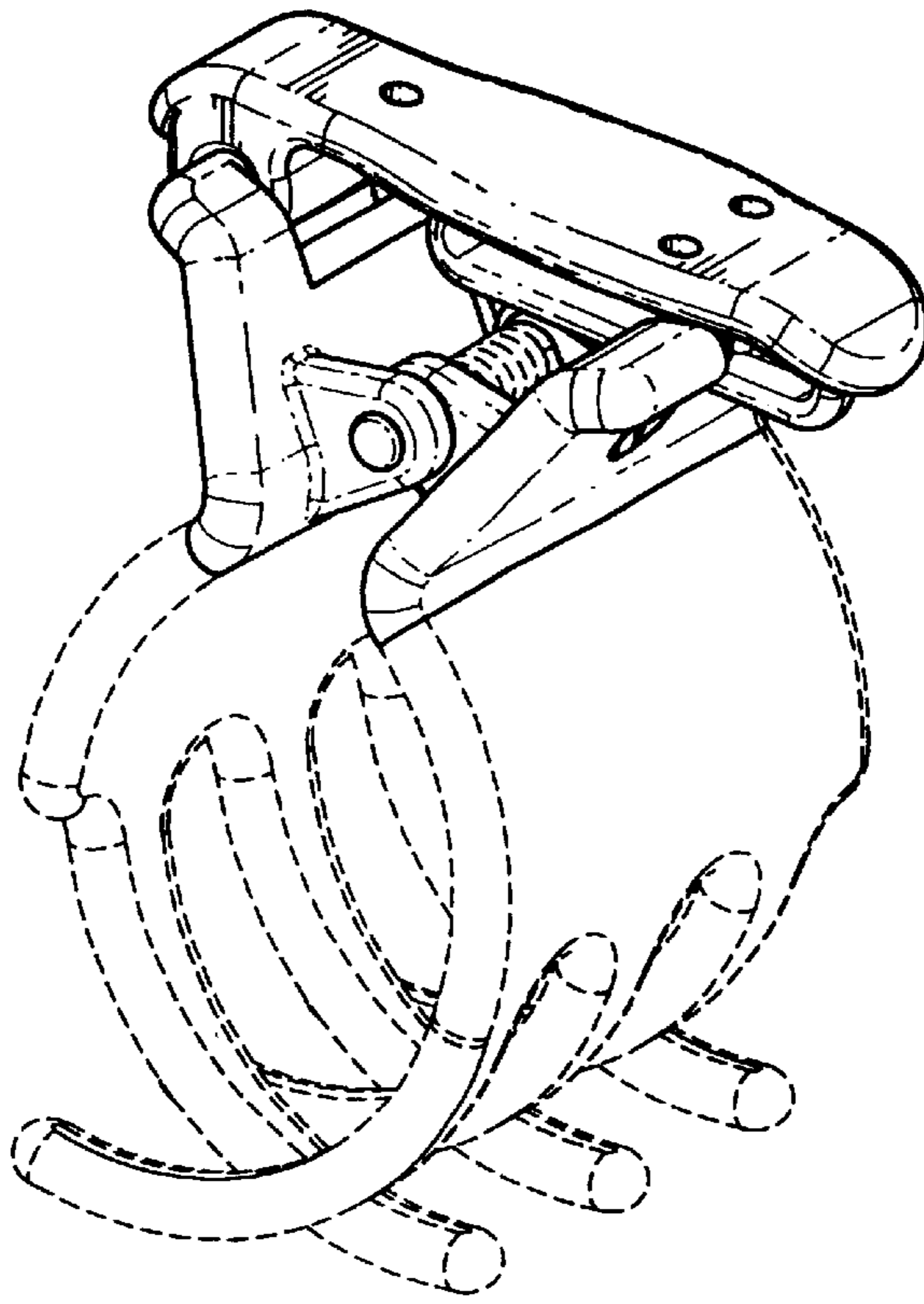


FIG. 2

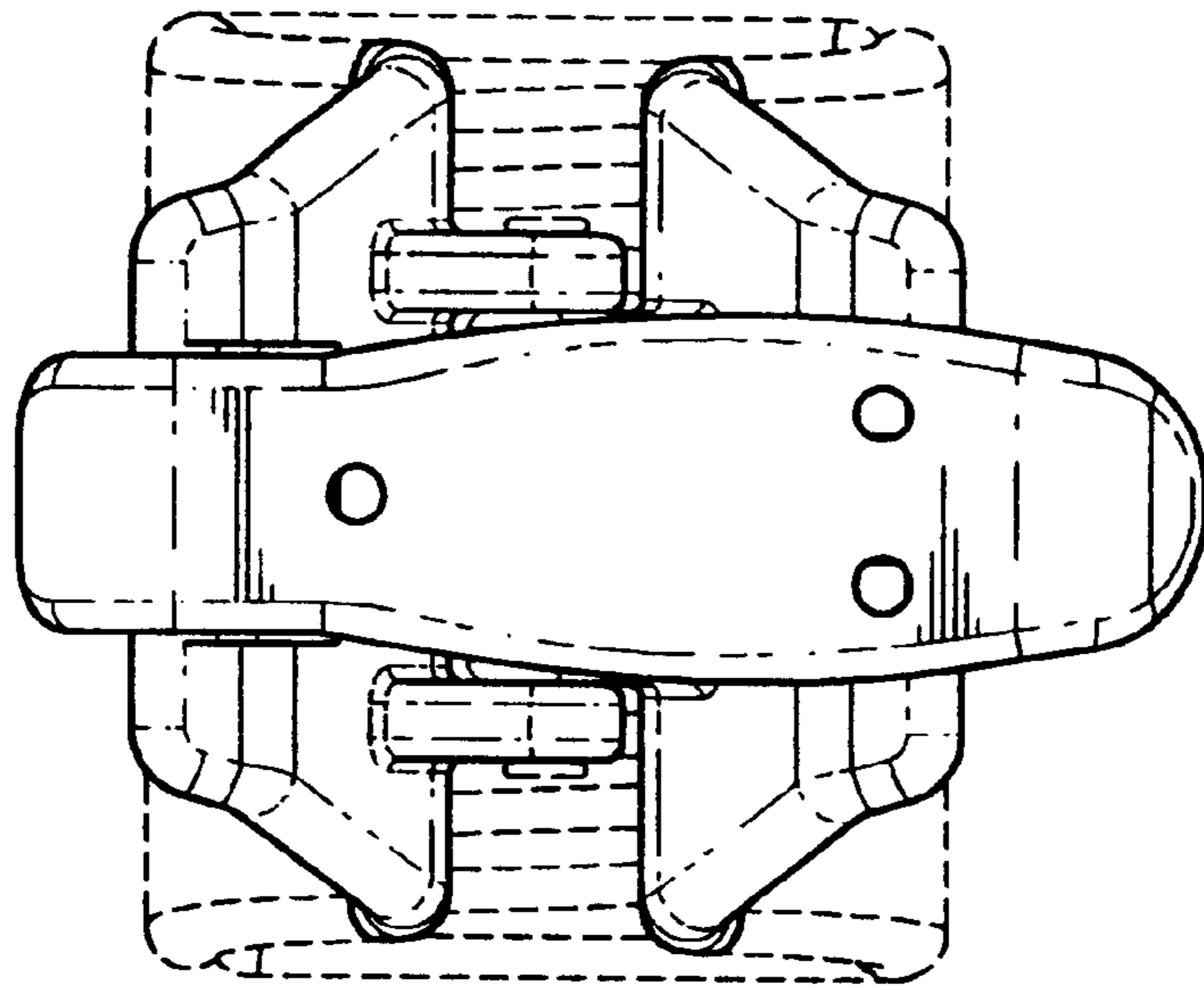


FIG. 3

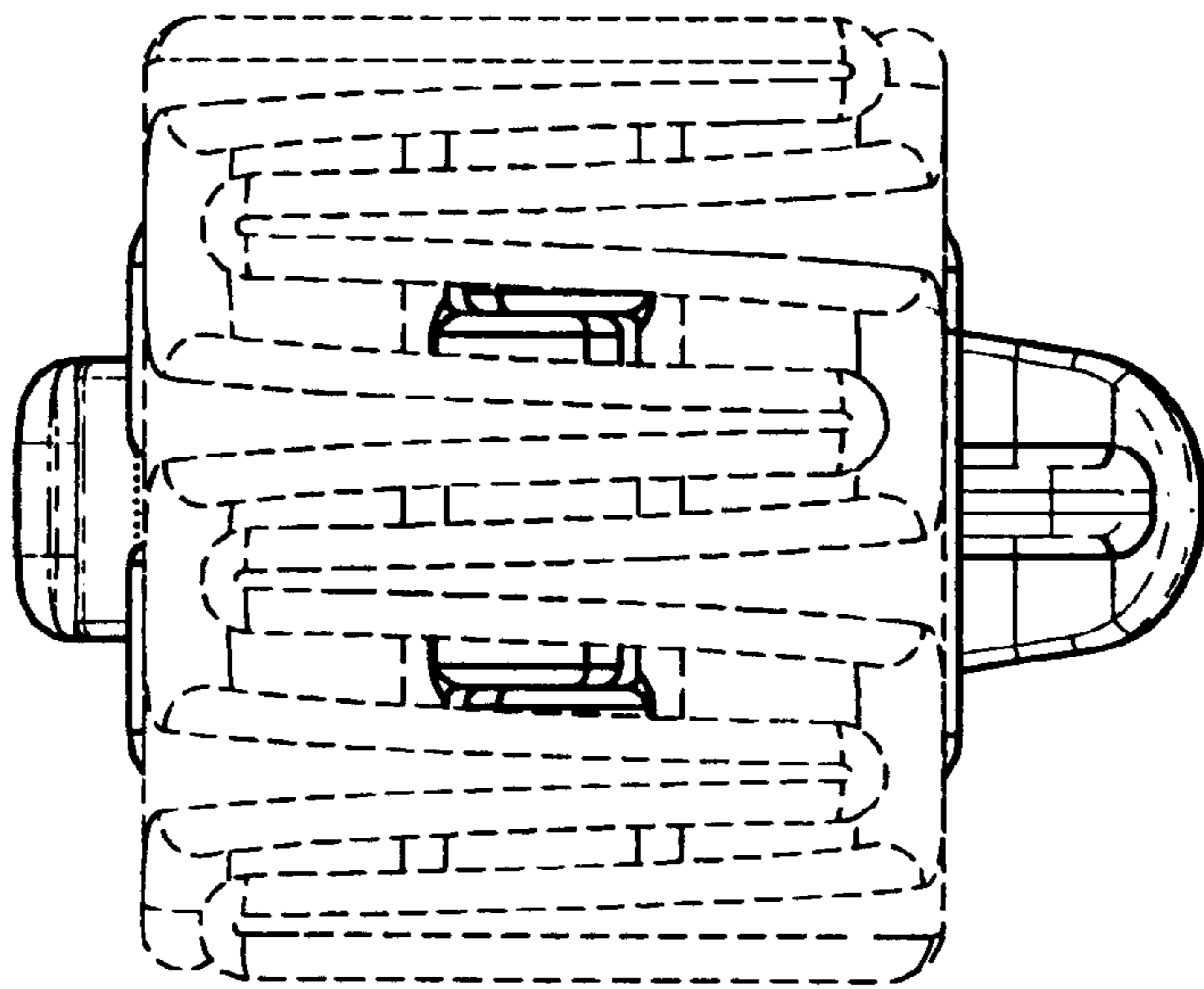


FIG. 4

FIG. 5

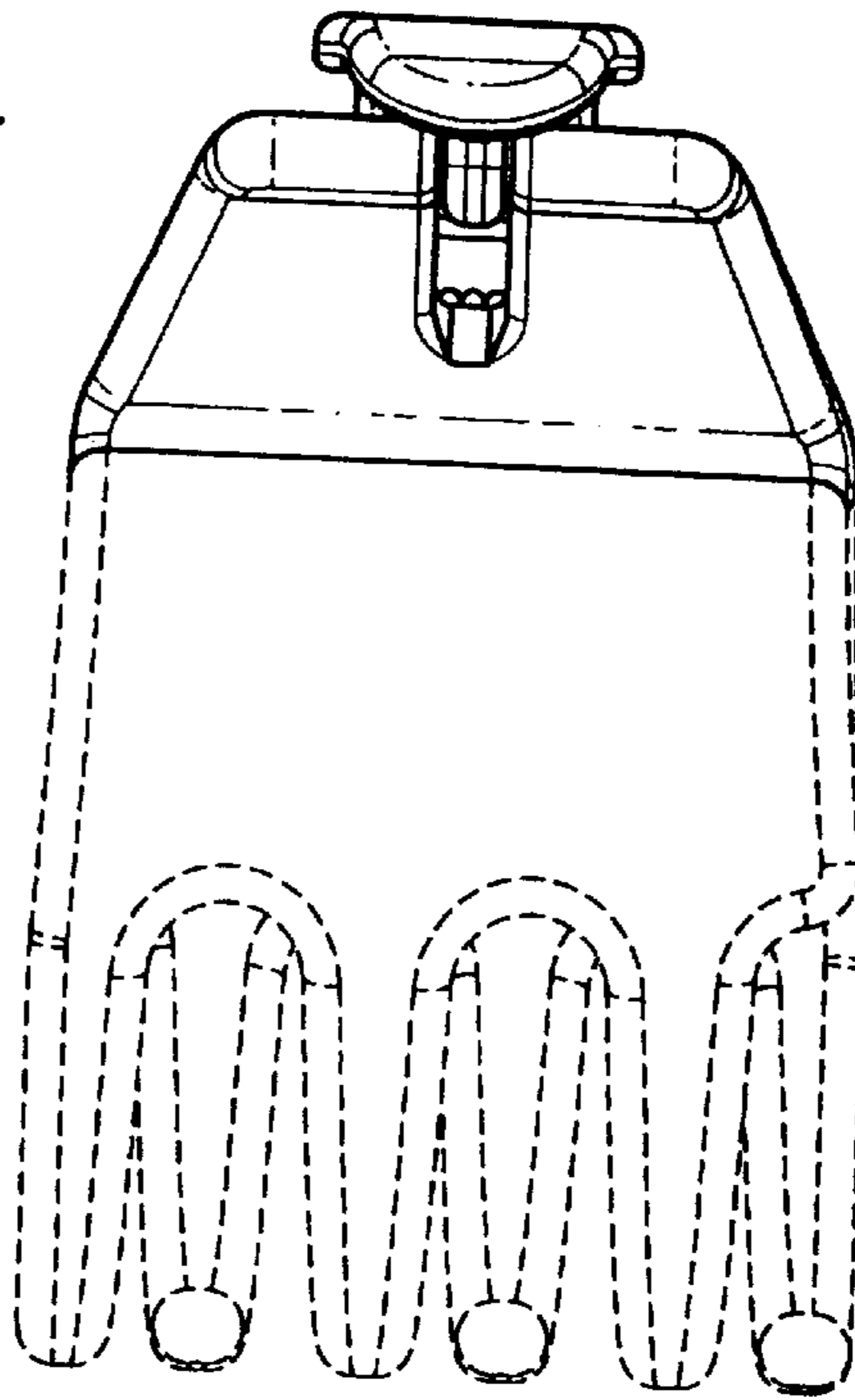


FIG. 6

