



US00D485642S

(12) **United States Design Patent**
Walz

(10) **Patent No.:** **US D485,642 S**

(45) **Date of Patent:** **** Jan. 20, 2004**

(54) **HAIR TREATMENT DISPENSER**

(76) Inventor: **David K. Walz**, 5279 Greencastle Way,
Stone Mtn., GA (US) 30087

(**) Term: **14 Years**

(21) Appl. No.: **29/163,771**

(22) Filed: **Jul. 9, 2002**

(51) **LOC (7) Cl.** **28-02**

(52) **U.S. Cl.** **D28/7**

(58) **Field of Search** 424/401; 132/320;
D28/7, 8, 4; 401/196; D9/338; 222/321.9,
402.13, 402.23, 566

(56) **References Cited**

U.S. PATENT DOCUMENTS

D249,099 S	*	8/1978	Taylor	D28/7
D342,584 S	*	12/1993	Anderson	D28/7
D370,783 S	*	6/1996	Korte	D28/7
5,915,390 A	*	6/1999	Daughtry	132/320

* cited by examiner

Primary Examiner—Jennifer Rivard
(74) *Attorney, Agent, or Firm*—Rodgers & Rodgers

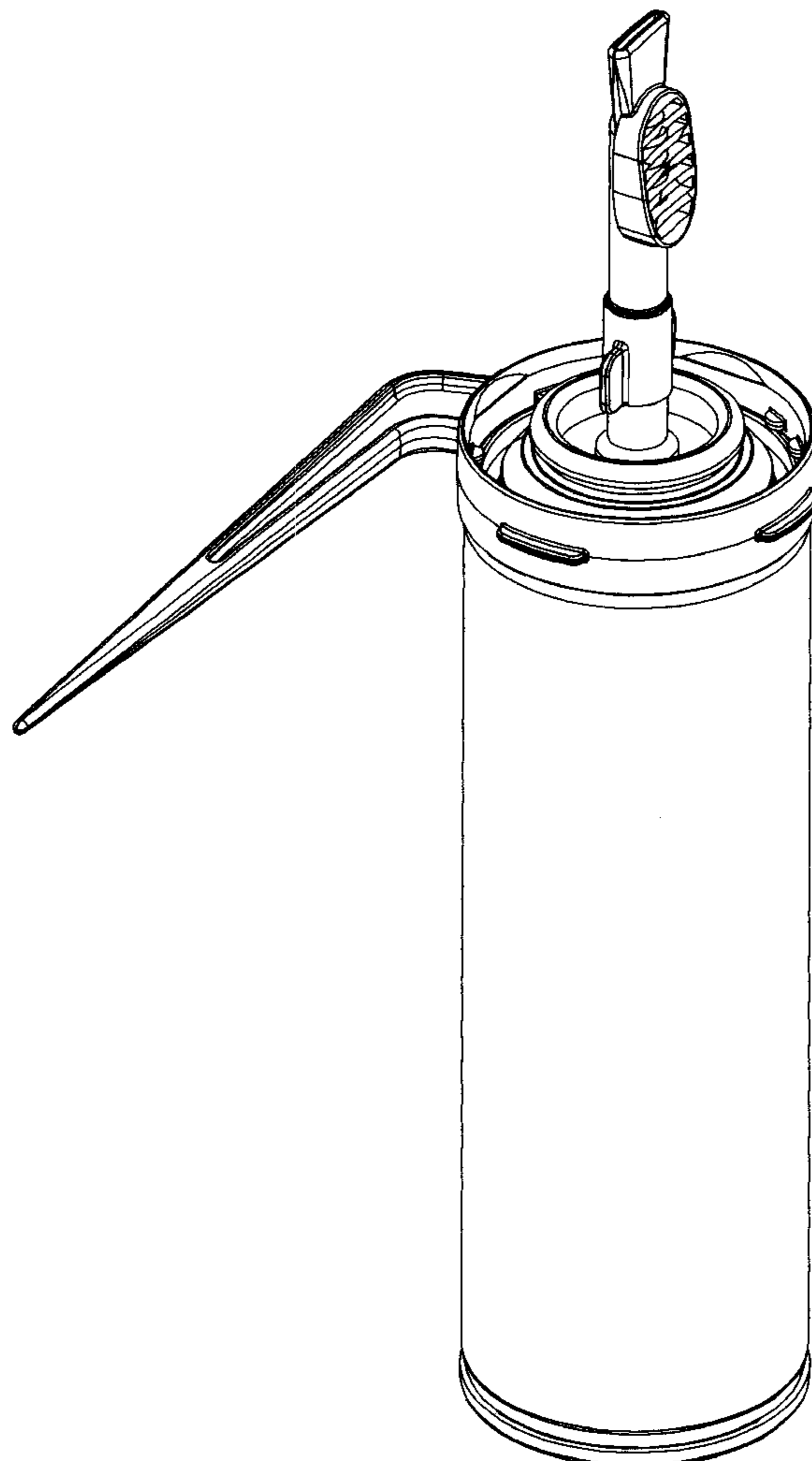
(57) **CLAIM**

The ornamental design for a hair treatment dispenser, as shown and described.

DESCRIPTION

FIG. 1 is a perspective view of a hair treatment dispenser showing my new design;
FIG. 2 is a rear elevational view thereof;
FIG. 3 is a front elevational view thereof;
FIG. 4 is a right side elevational view thereof;
FIG. 5 is a left side elevational view thereof;
FIG. 6 is a top plan view thereof;
FIG. 7 is a bottom plan view thereof; and,
FIG. 8 is a perspective view of a second embodiment of the design.

1 Claim, 8 Drawing Sheets



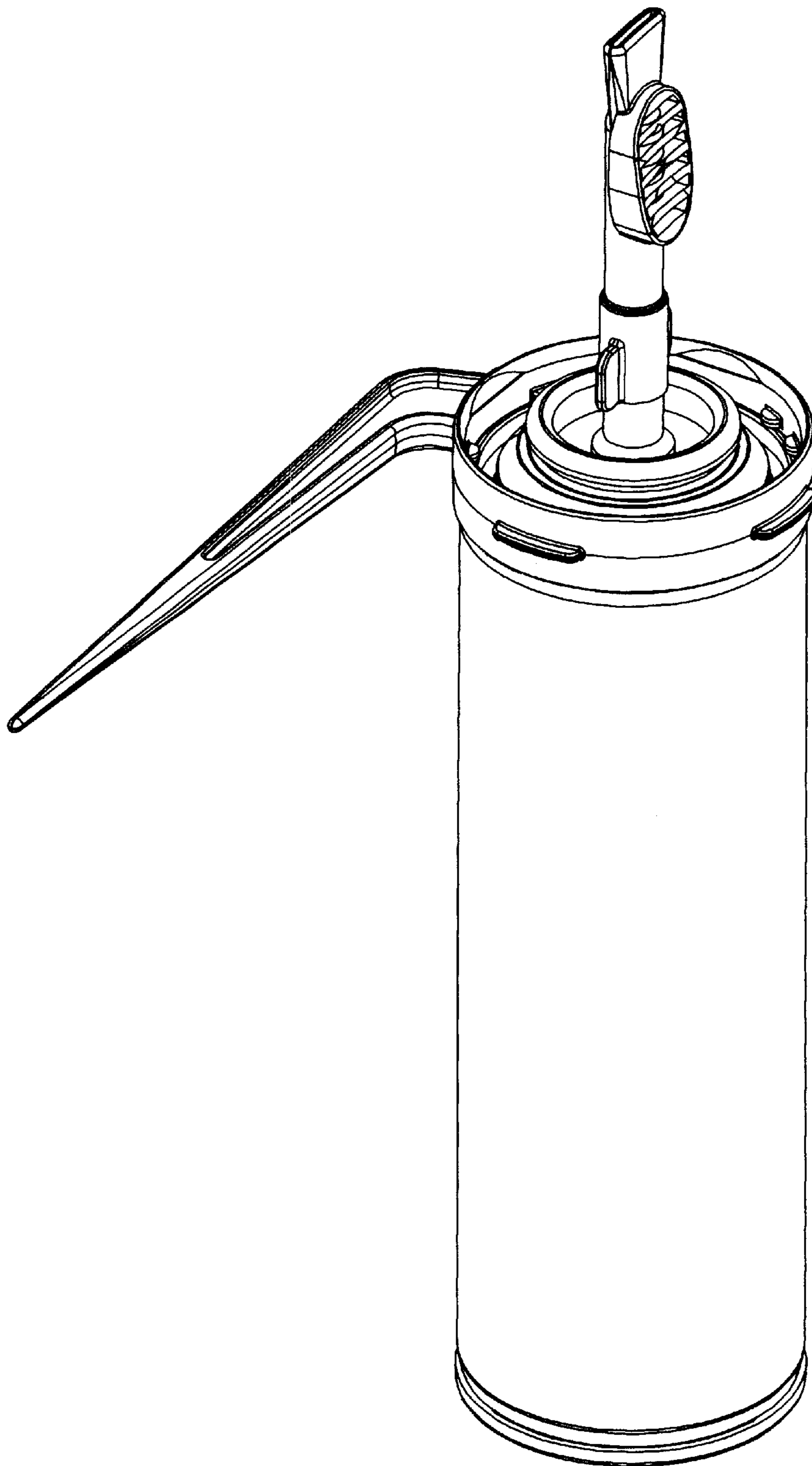


FIG:1

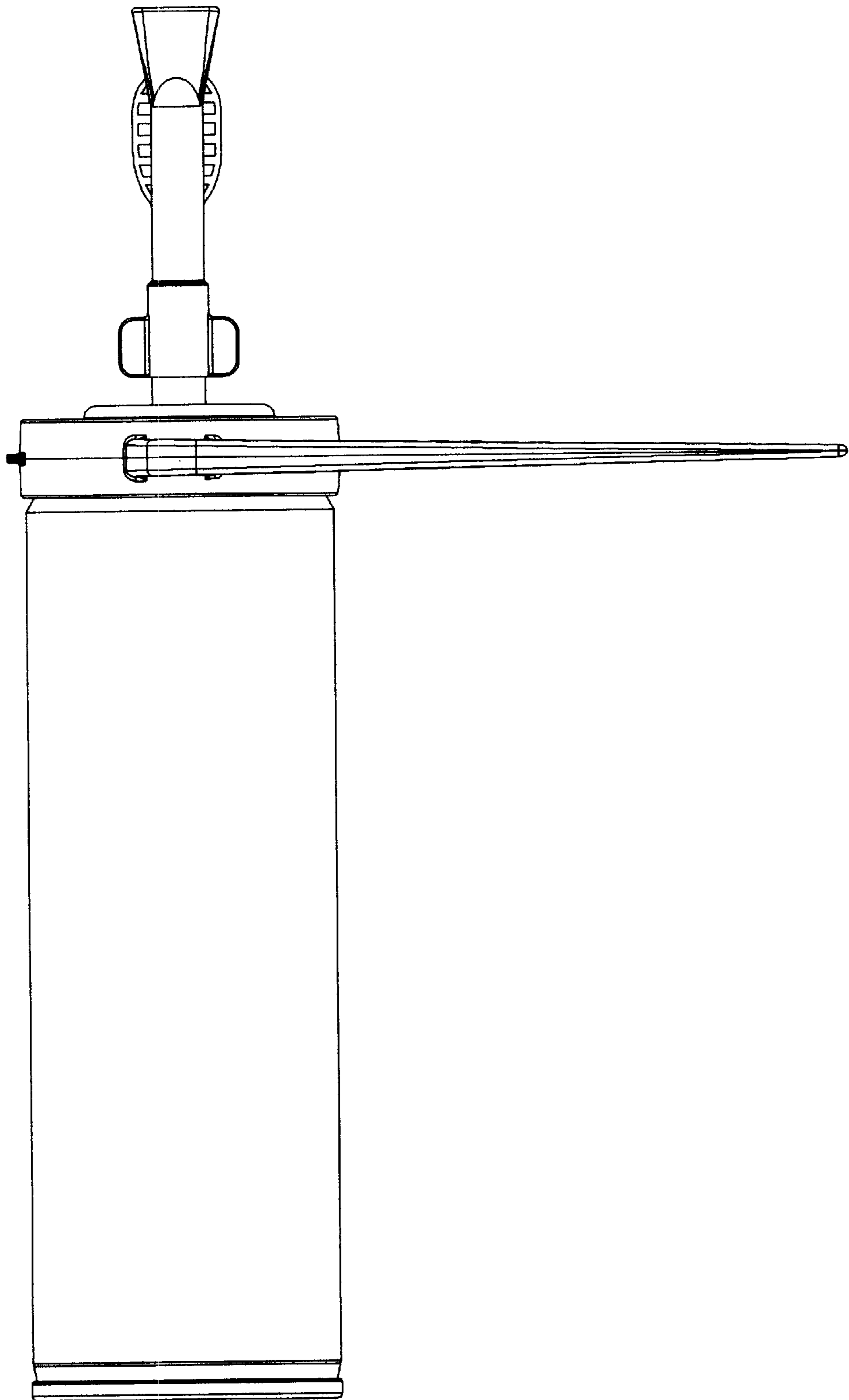


FIG:2

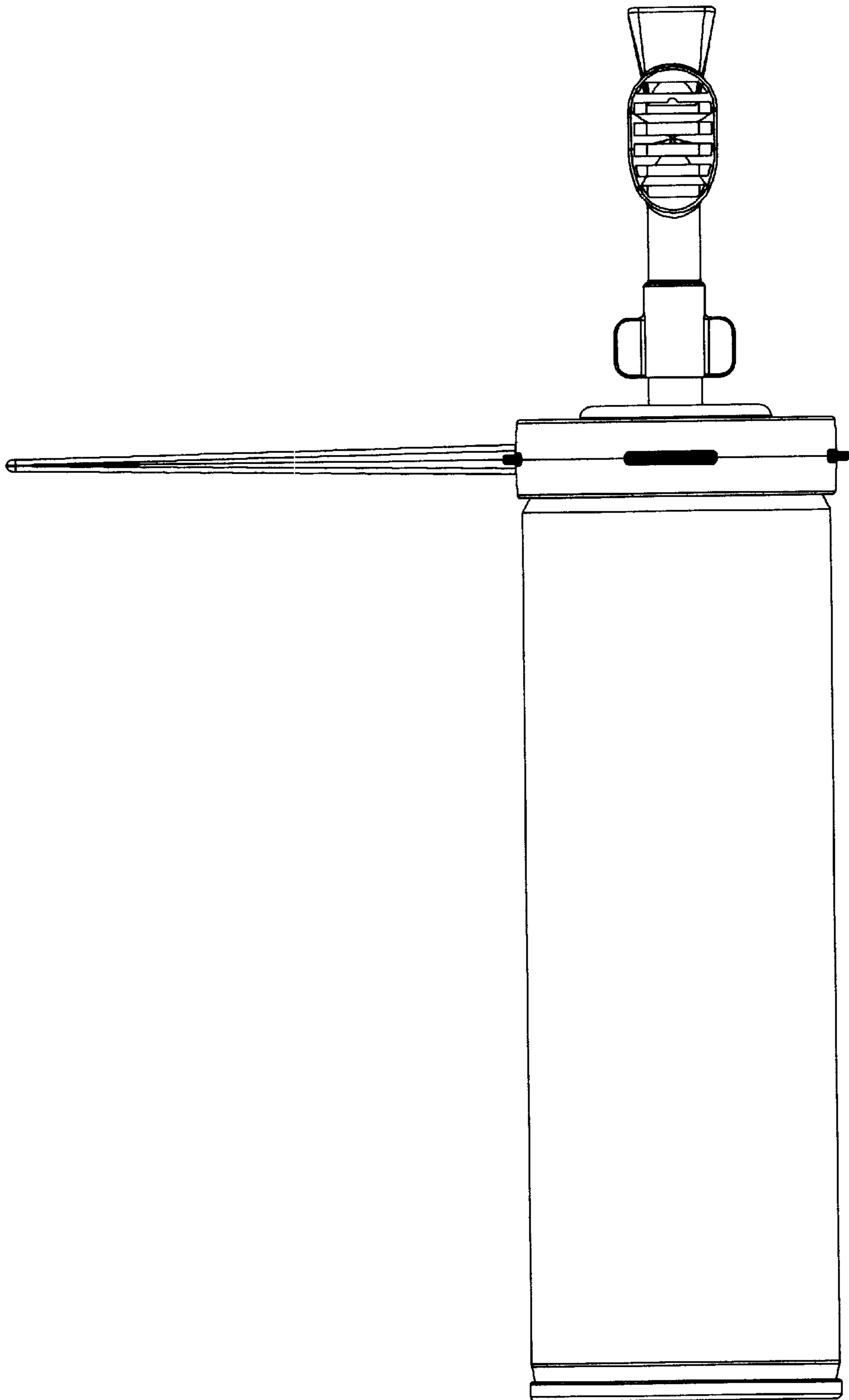


FIG:3

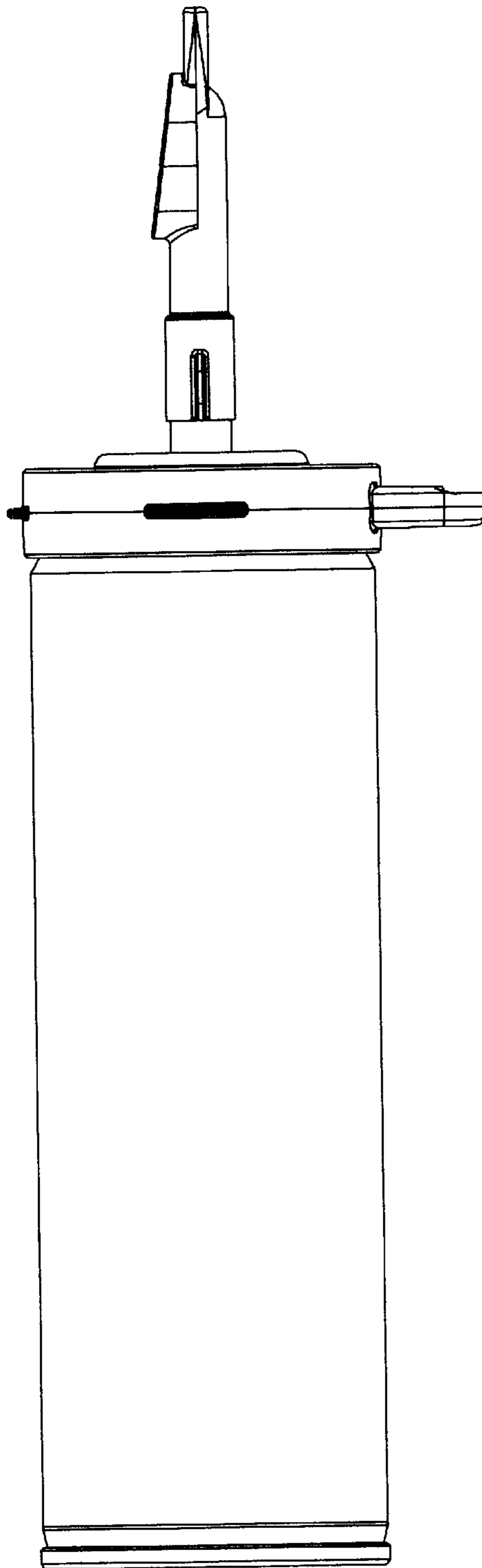


FIG:4

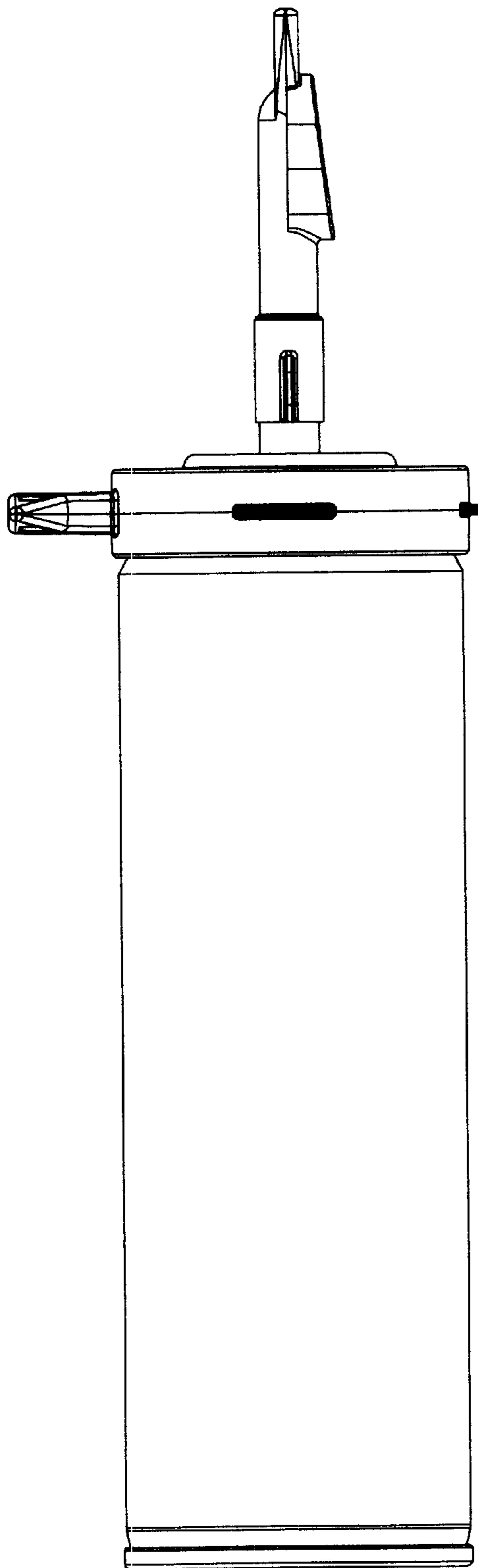


FIG:5

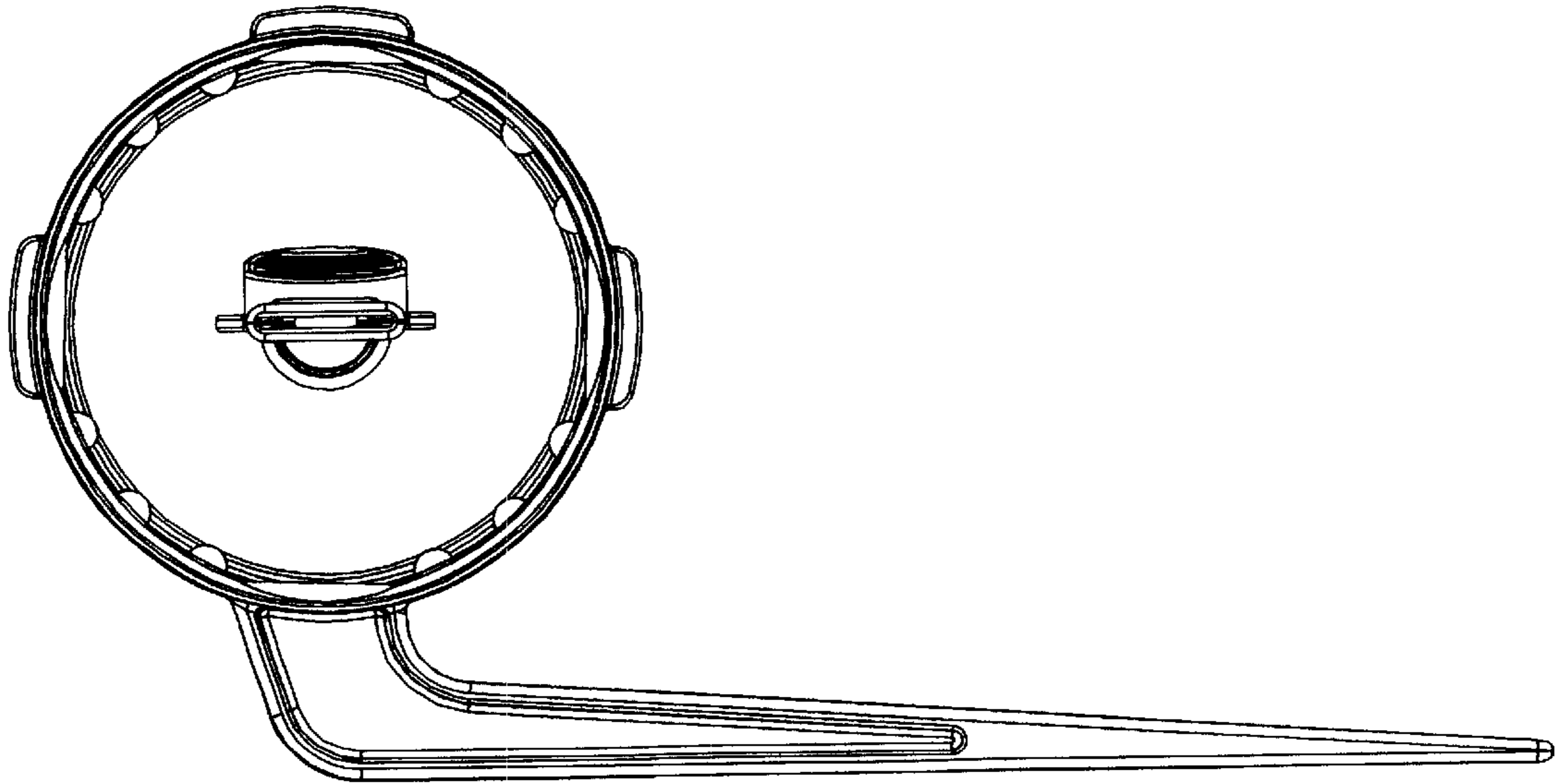


FIG:6

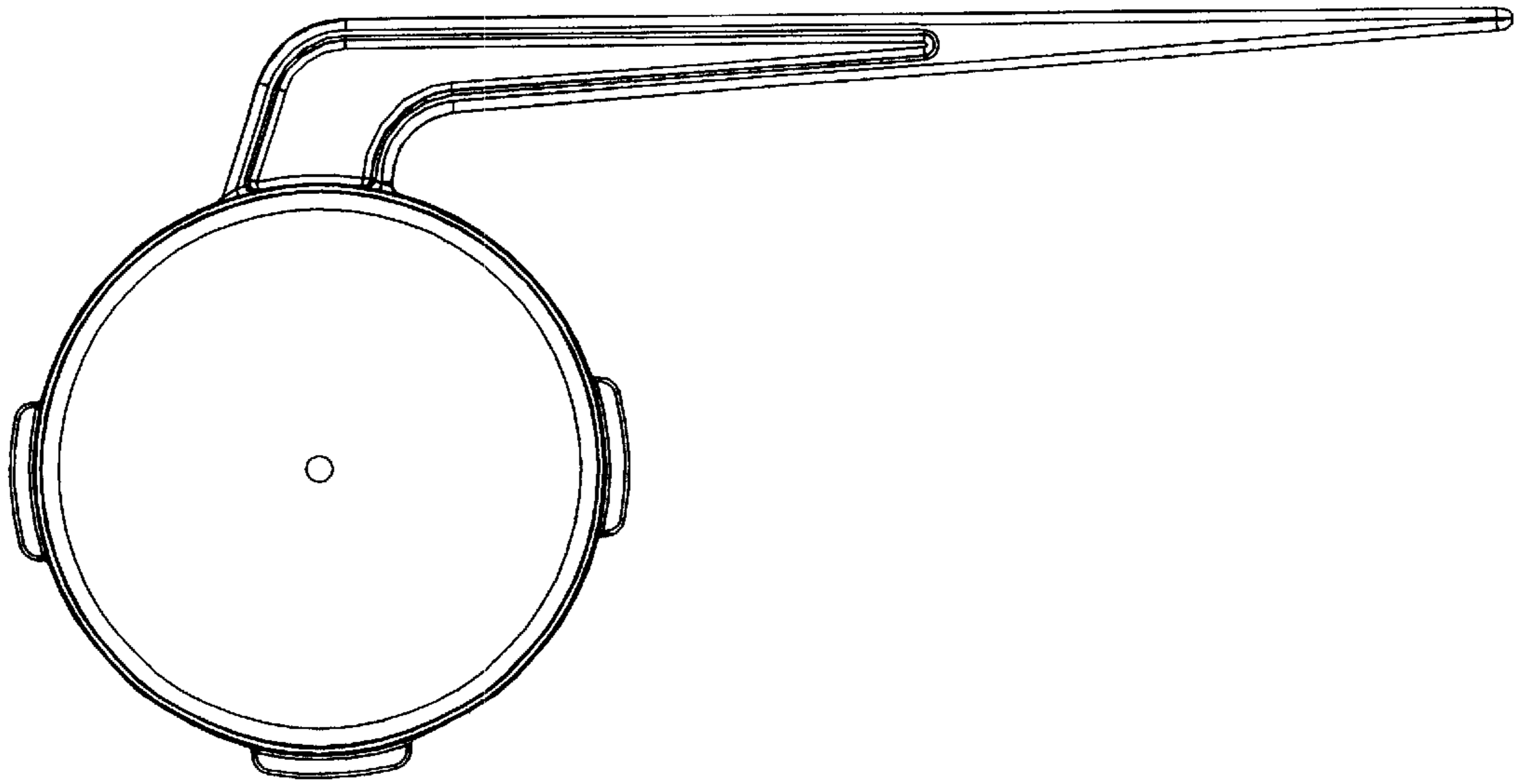


FIG:7

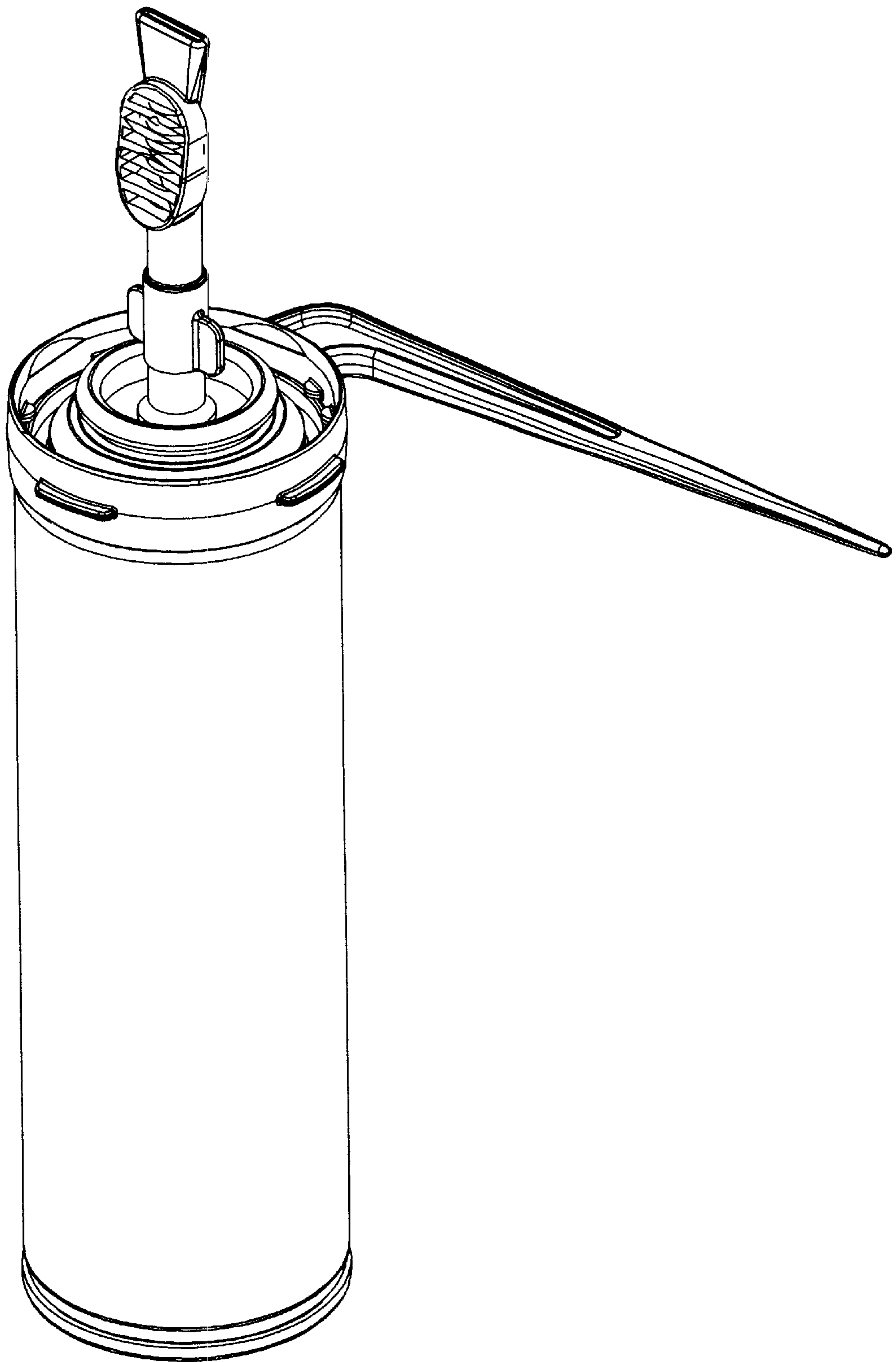


FIG:8