



US00D485639S

(12) **United States Design Patent**
Stronski

(10) **Patent No.:** **US D485,639 S**

(45) **Date of Patent:** **** Jan. 20, 2004**

(54) **CIGAR TIP**

(75) **Inventor:** **James Stronski**, Jacksonville, FL (US)

(73) **Assignee:** **King Edward Technology, Inc.**, DE (US)

(**) **Term:** **14 Years**

(21) **Appl. No.:** **29/180,440**

(22) **Filed:** **Apr. 23, 2003**

(51) **LOC (7) Cl.** **27-02**

(52) **U.S. Cl.** **D27/170**

(58) **Field of Search** D27/170, 171,
D27/194, 193; 131/175, 187, 188, 189,
215.2

(56) **References Cited**

U.S. PATENT DOCUMENTS

683,234 A	9/1901	Thompson	
953,419 A *	3/1910	Hammerstein	131/187
D72,012 S	2/1927	Gurnee et al.	
1,743,481 A *	1/1930	Rench	131/187
1,952,352 A *	3/1934	Banks	131/187
D142,797 S	11/1945	Taylor	
2,532,531 A	12/1950	Angert	
2,838,052 A	6/1958	Crisafulli	
3,076,729 A	2/1963	Garbo	
3,137,303 A	6/1964	Shaw	

D200,035 S	1/1965	Mogulescu	
D201,537 S *	6/1965	Redford	D27/170
D217,841 S *	6/1970	Bulger et al.	D27/170
D239,947 S	5/1976	Frost	
4,009,724 A	3/1977	Prohoroff	
D253,270 S	10/1979	Middleton, Jr.	
D293,608 S	1/1988	Fitzgerald et al.	
5,551,449 A	9/1996	Huang	
D401,011 S	11/1998	Sloan, II	
D424,739 S	5/2000	Ross	
D442,737 S	5/2001	Gaddis	
D467,685 S	12/2002	Nista et al.	

* cited by examiner

Primary Examiner—Jennifer Rivard

(74) *Attorney, Agent, or Firm*—Muserlian, Lucas and Mercanti

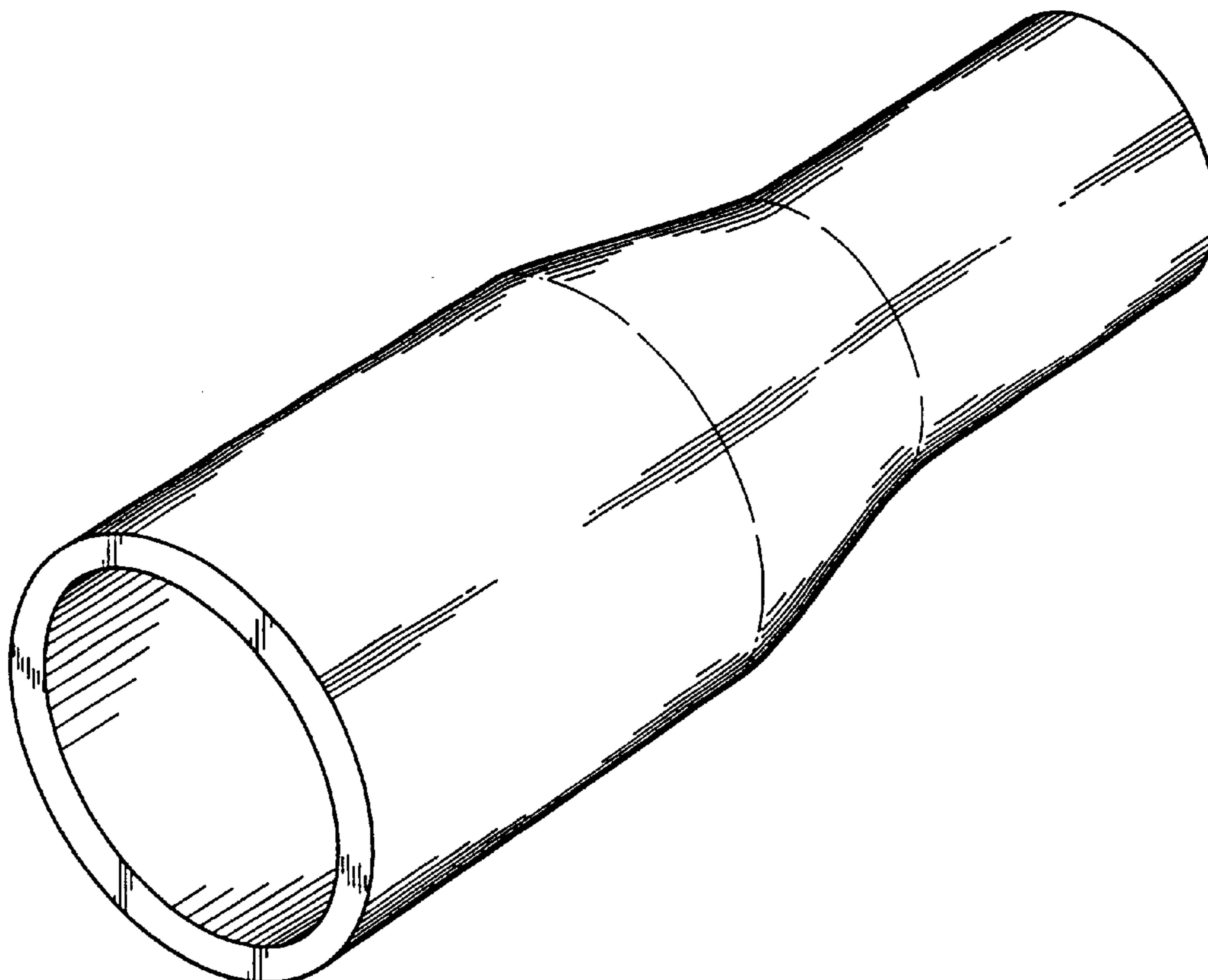
(57) **CLAIM**

The ornamental design for a cigar tip, as shown and described.

DESCRIPTION

FIG. 1 is a perspective view of a cigar tip embodying my new ornamental design;
FIG. 2 is a side view of said cigar tip;
FIG. 3 is a top view of said cigar tip as shown in FIG. 2; and,
FIG. 4 is a bottom view of said cigar tip as shown in FIG. 2.

1 Claim, 3 Drawing Sheets



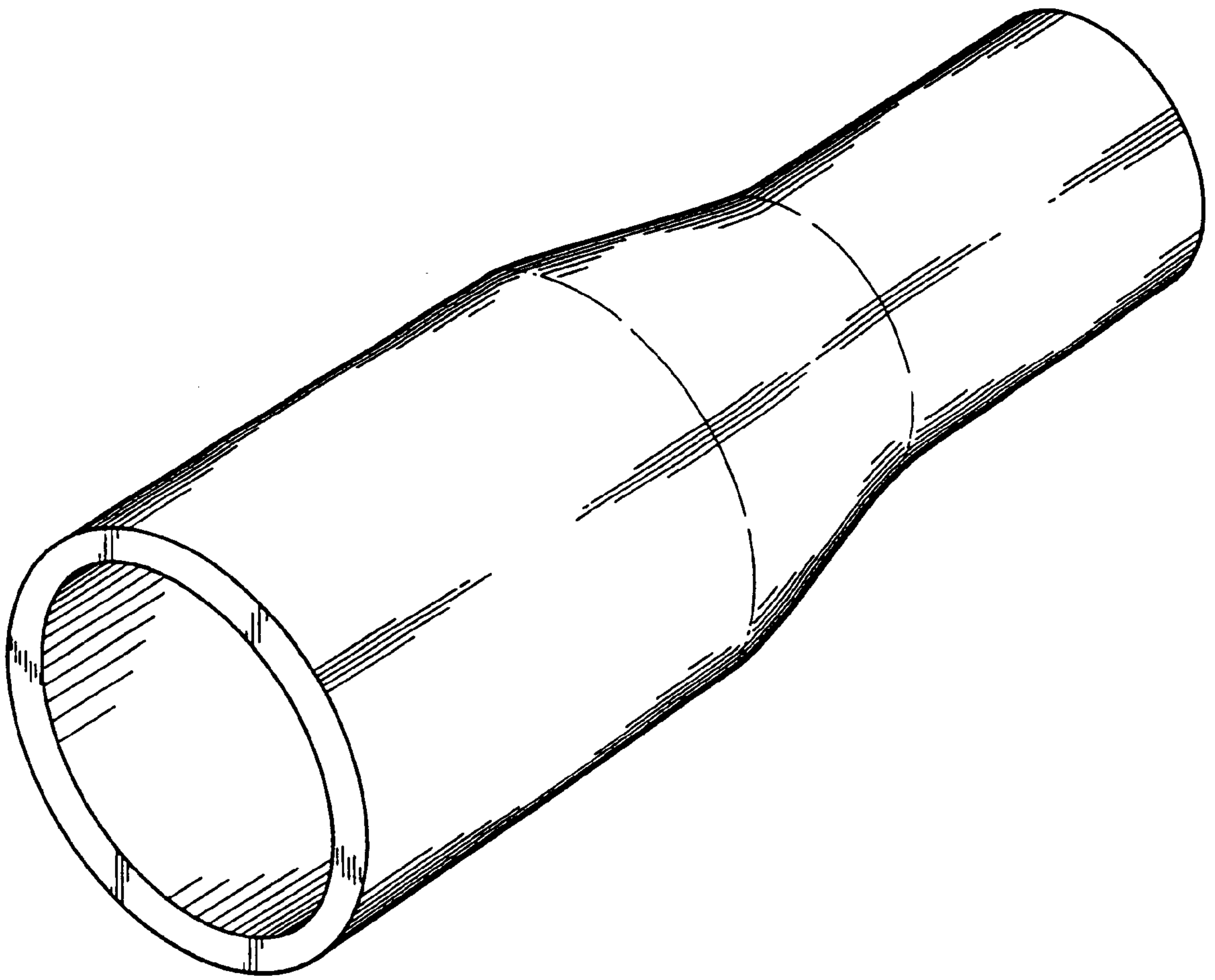


FIG. 1

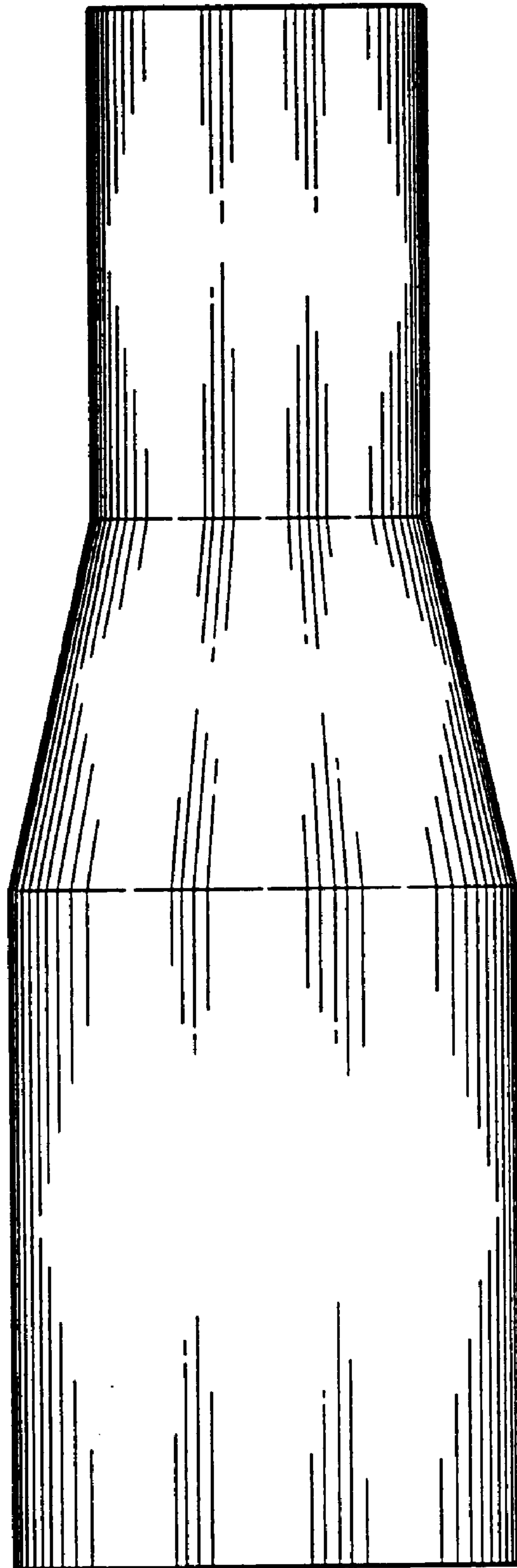


FIG. 2

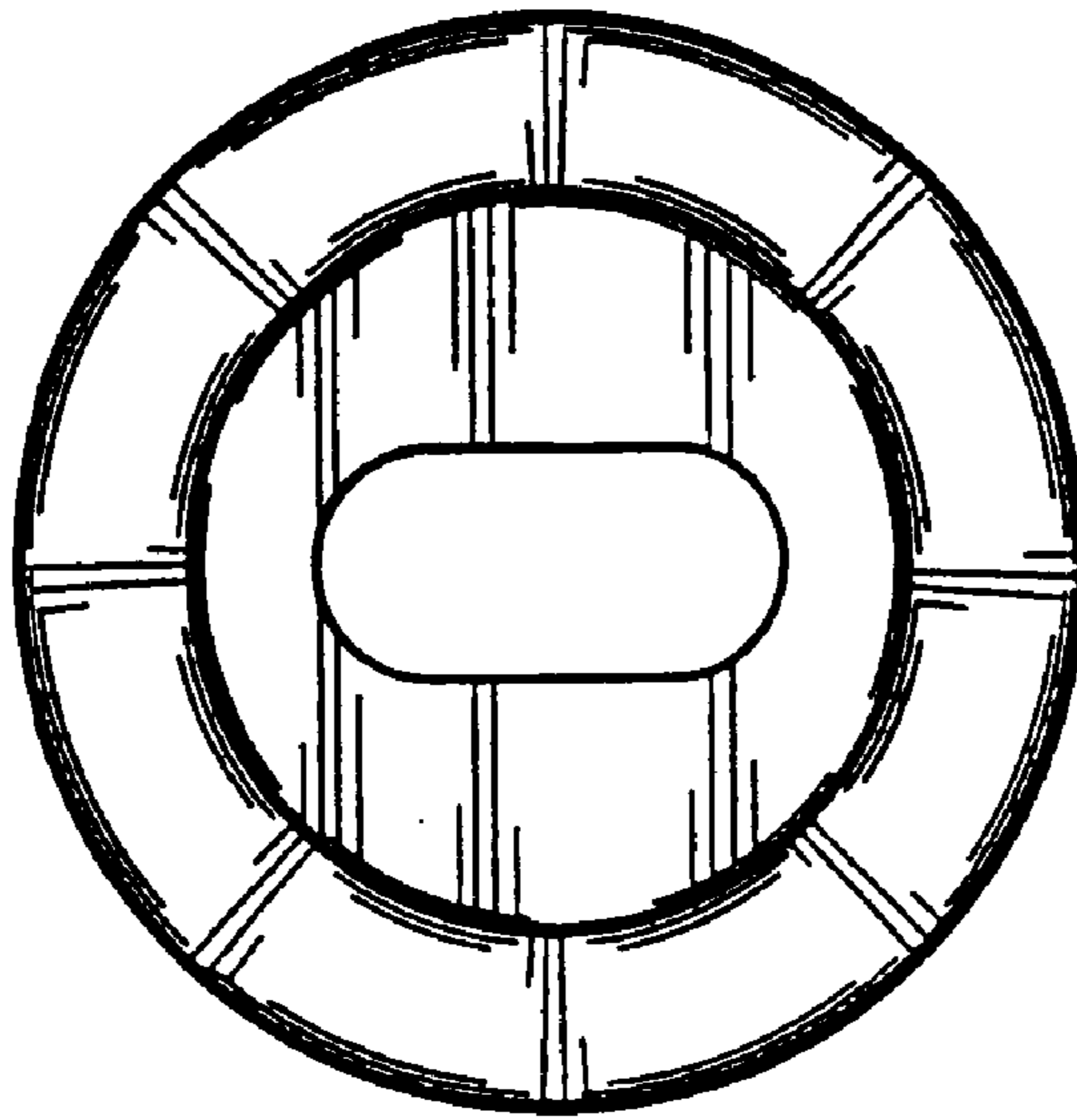


FIG. 3

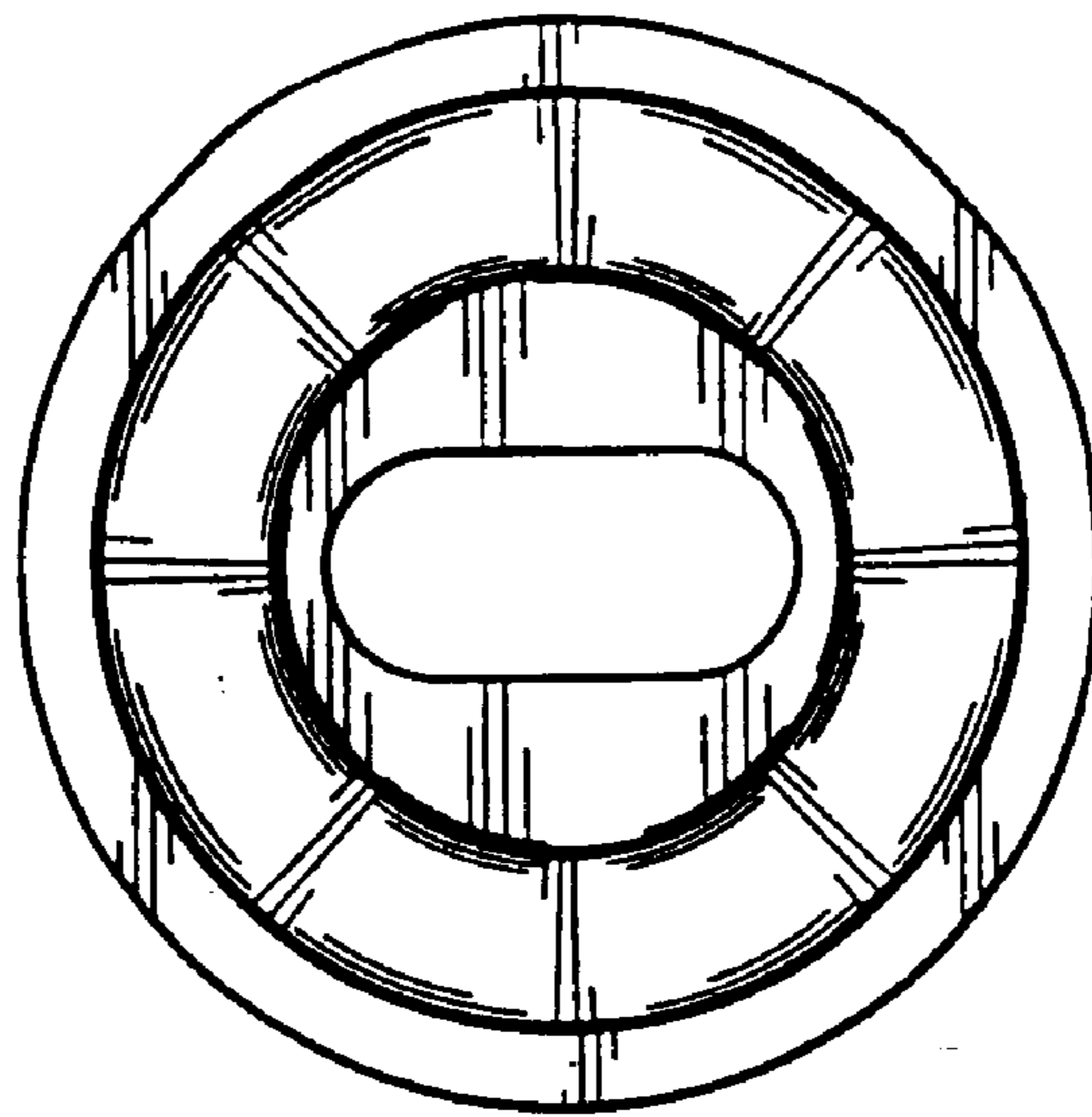


FIG. 4