



US00D485636S

(12) **United States Design Patent**  
**Patterson et al.**

(10) **Patent No.:** **US D485,636 S**

(45) **Date of Patent:** **\*\* Jan. 20, 2004**

(54) **LIGHTING FIXTURE**

D417,303 S \* 11/1999 Rahn ..... D26/67  
D447,590 S \* 9/2001 Raouf et al. .... D26/71  
D472,339 S \* 3/2003 Russello et al. .... D26/87

(75) Inventors: **David Patterson**, Rio Rancho, NM  
(US); **Ramiro Barajas**, Rio Rancho,  
NM (US)

\* cited by examiner

(73) Assignee: **Insight Lighting, Inc.**, Rio Rancho,  
NM (US)

*Primary Examiner*—Clare E. Heflin  
(74) *Attorney, Agent, or Firm*—Ray R. Regan

(\*\*) Term: **14 Years**

(57) **CLAIM**

(21) Appl. No.: **29/181,246**

What is claimed is the ornamental design for a lighting  
fixture, as shown and described.

(22) Filed: **May 6, 2003**

**DESCRIPTION**

**Related U.S. Application Data**

(63) Continuation-in-part of application No. 10/226,589, filed on  
Aug. 23, 2002.

FIG. 1 is a perspective view of the Invention showing the  
new design in an operational environment;

(51) **LOC (7) Cl.** ..... **26-03**

FIG. 2 is a front elevational view of the Invention shown in  
FIG. 1;

(52) **U.S. Cl.** ..... **D26/92; D26/87**

FIG. 3 is a rear elevational view of the Invention shown in  
FIG. 1;

(58) **Field of Search** ..... D26/24, 67-73,  
D26/80, 82, 84-92, 128; 362/145, 147,  
153, 153.1, 186, 257, 276, 312, 330, 351,  
354, 358, 361-363, 431-433, 806, 404,  
407, 408, 370, 348, 350

FIG. 4 is a left side elevational view of the Invention shown  
in FIG. 1;

FIG. 5 is a right side elevational view of the Invention shown  
in FIG. 1;

FIG. 6 is a top elevational view of the Invention shown in  
FIG. 1; and,

FIG. 7 is a bottom elevational view of the Invention shown  
in FIG. 1.

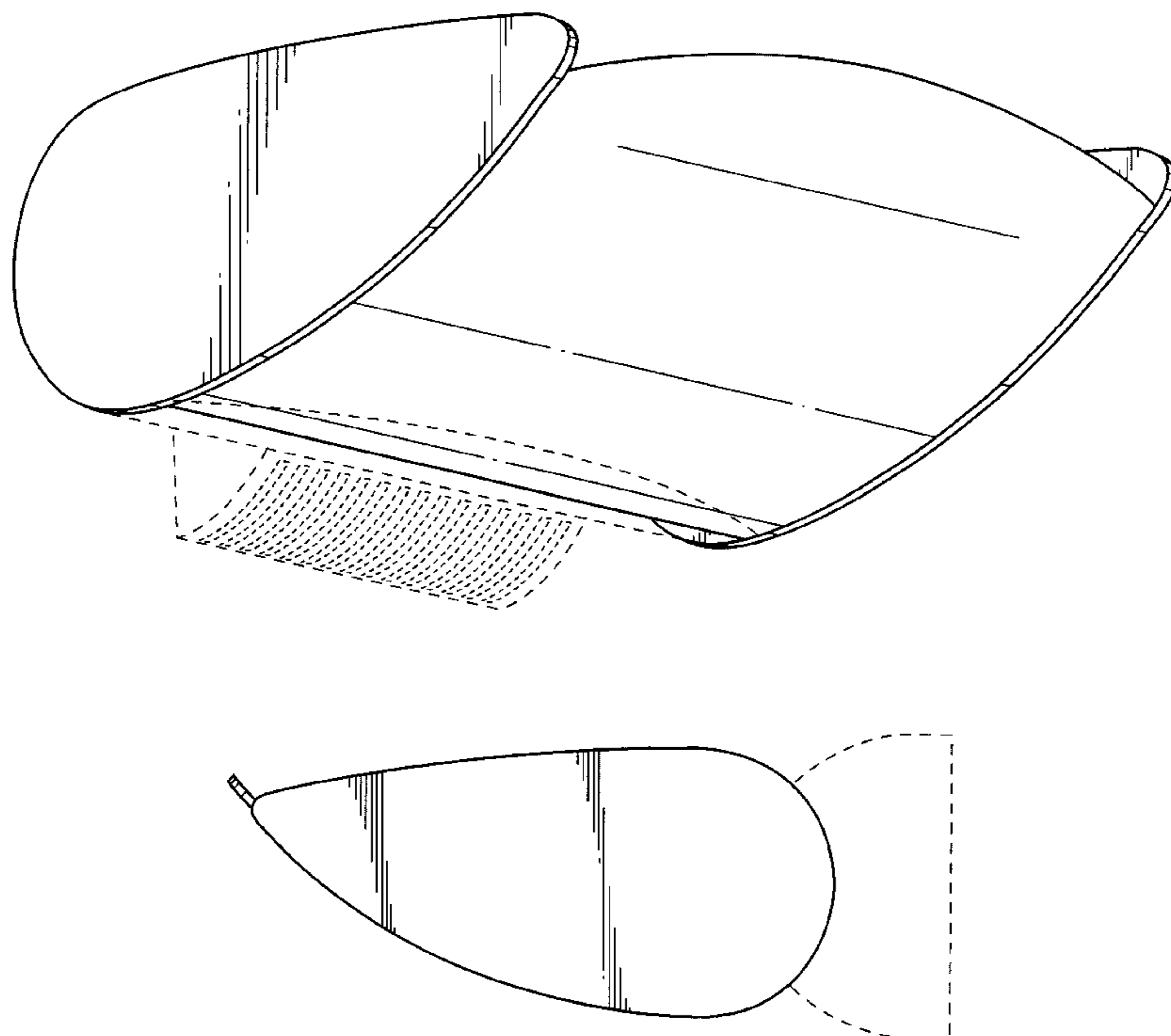
Features shown by broken lines are for illustrative purposes  
only, and are not claimed as part of the invention.

(56) **References Cited**

**U.S. PATENT DOCUMENTS**

D83,485 S \* 2/1931 Benjamin ..... D26/24  
D344,813 S \* 3/1994 Porsche ..... D26/87  
5,386,354 A \* 1/1995 Osteen ..... 362/258

**1 Claim, 4 Drawing Sheets**



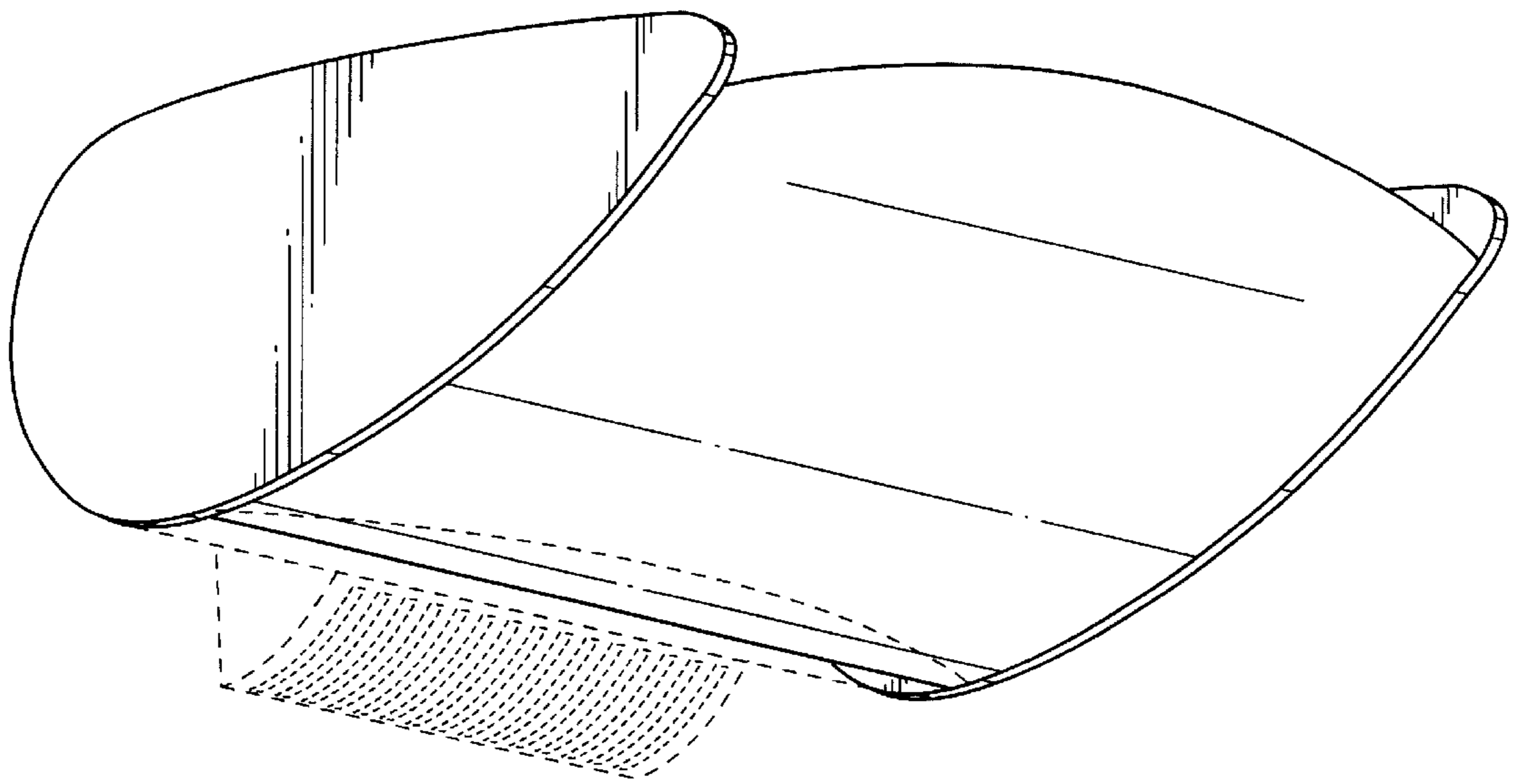


FIG.1

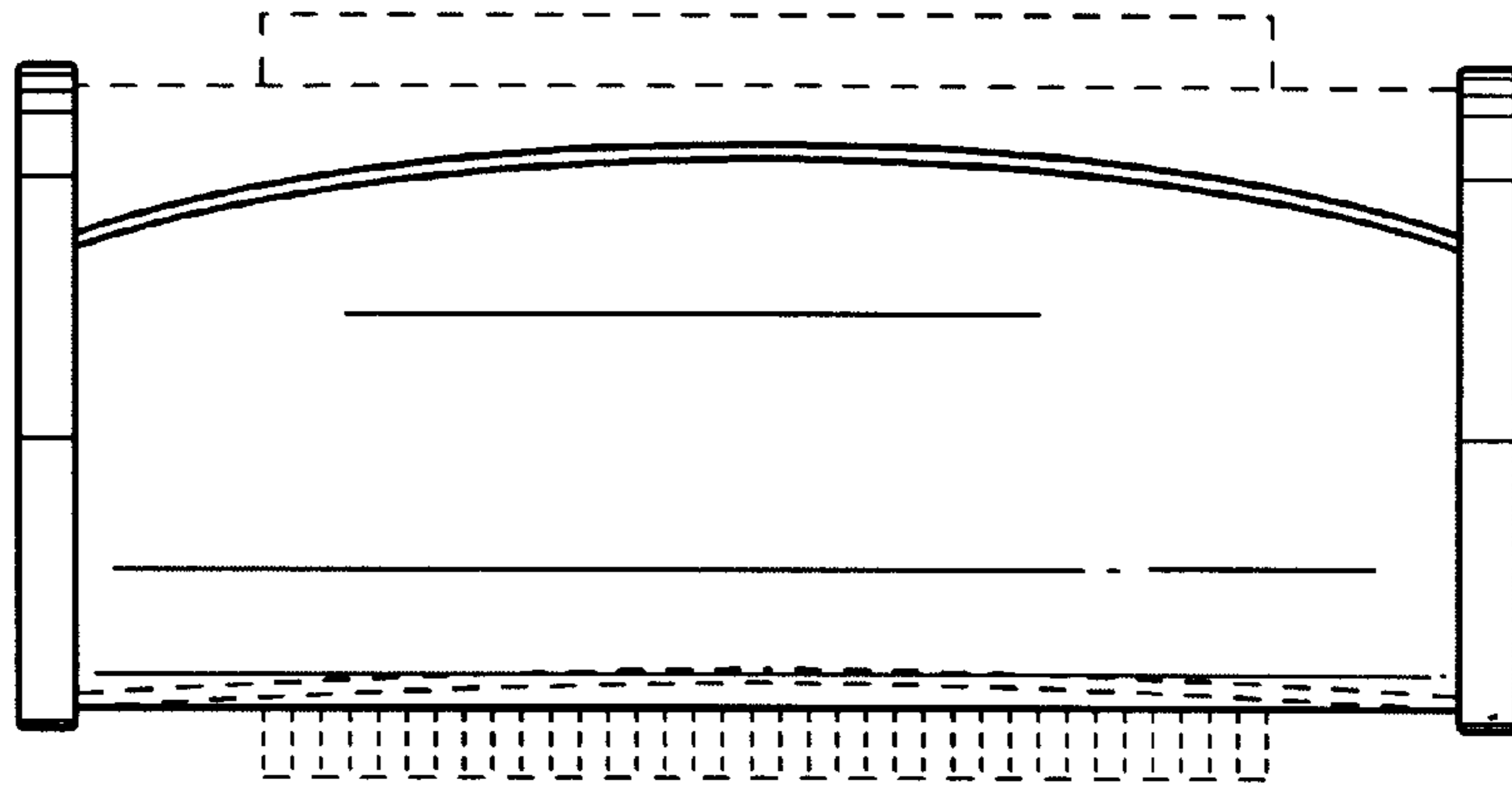


FIG. 2

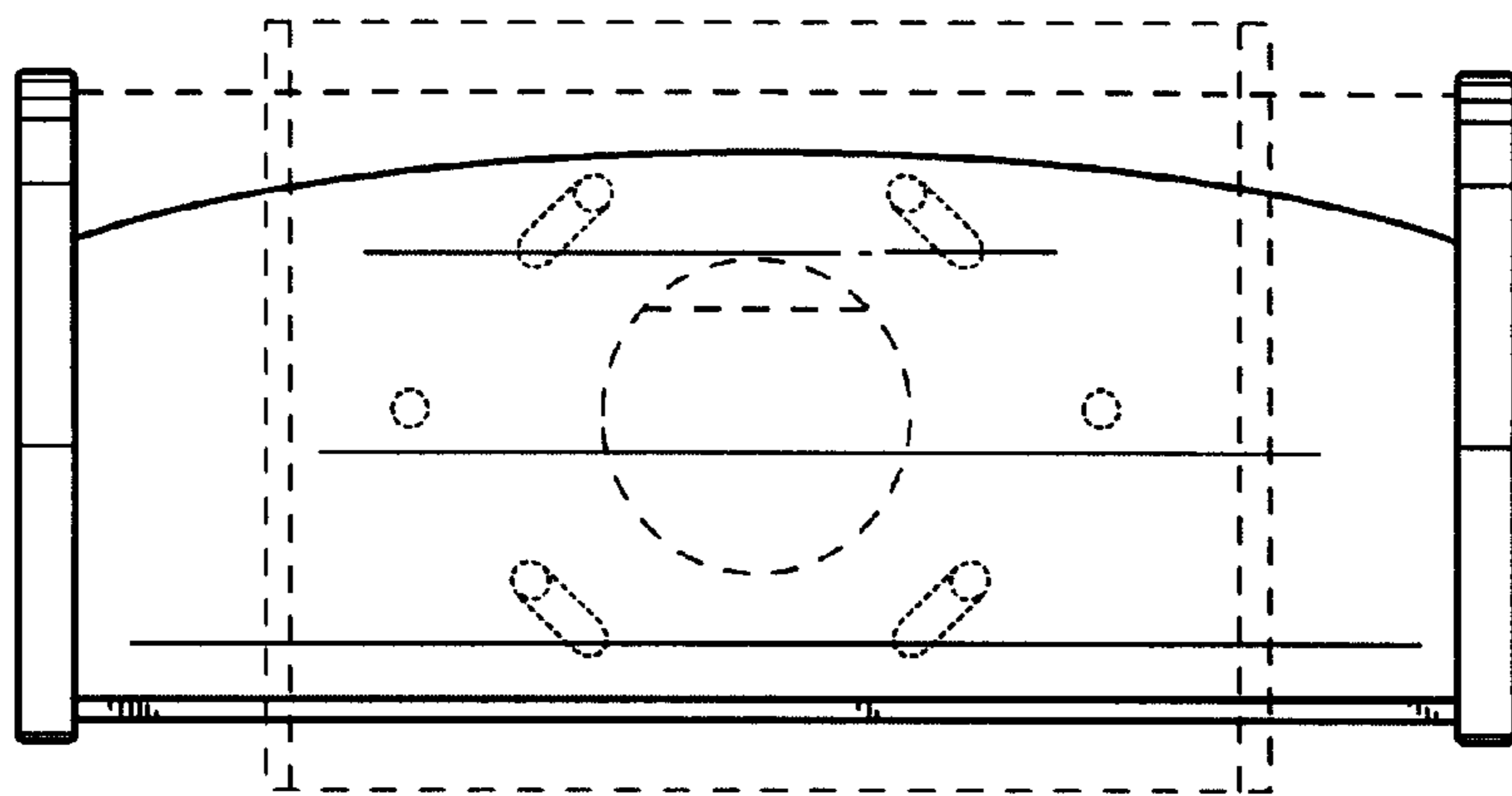


FIG. 3

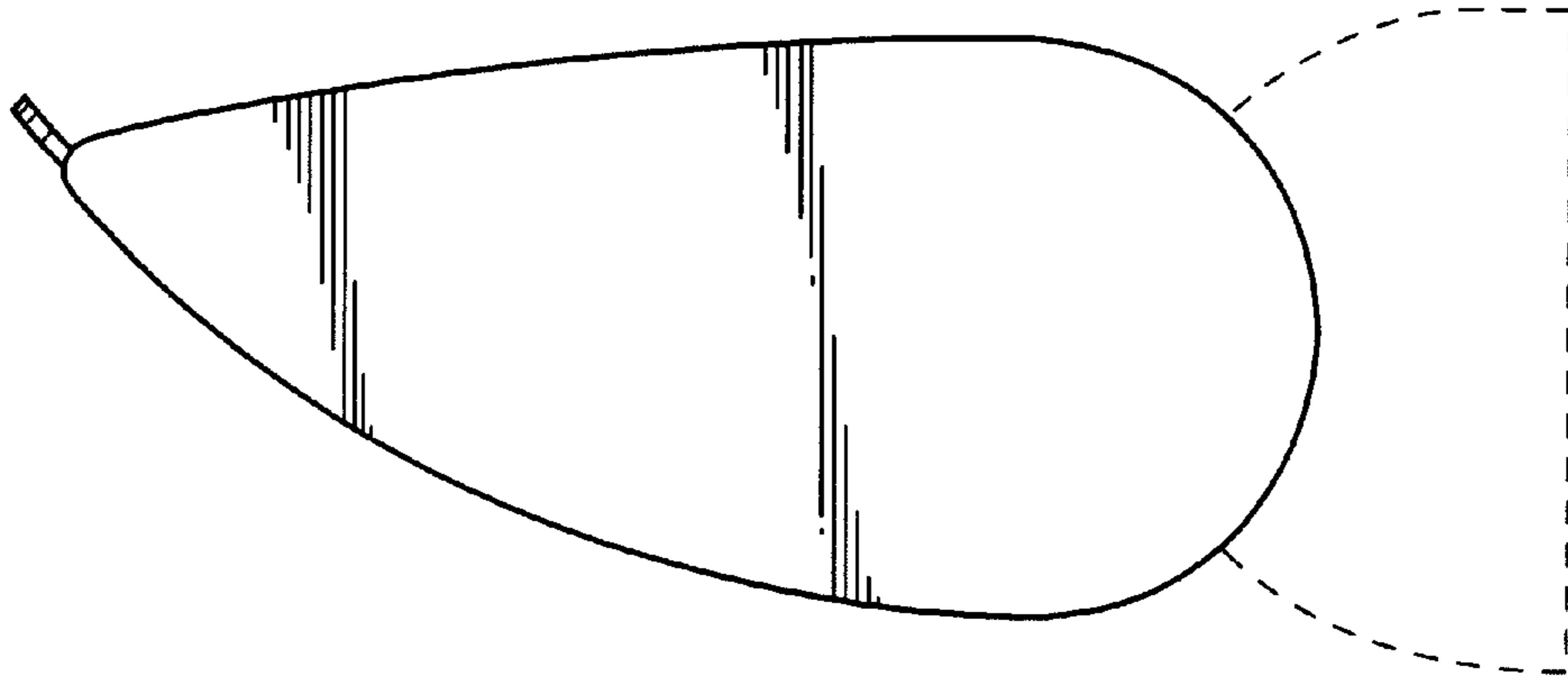


FIG. 4

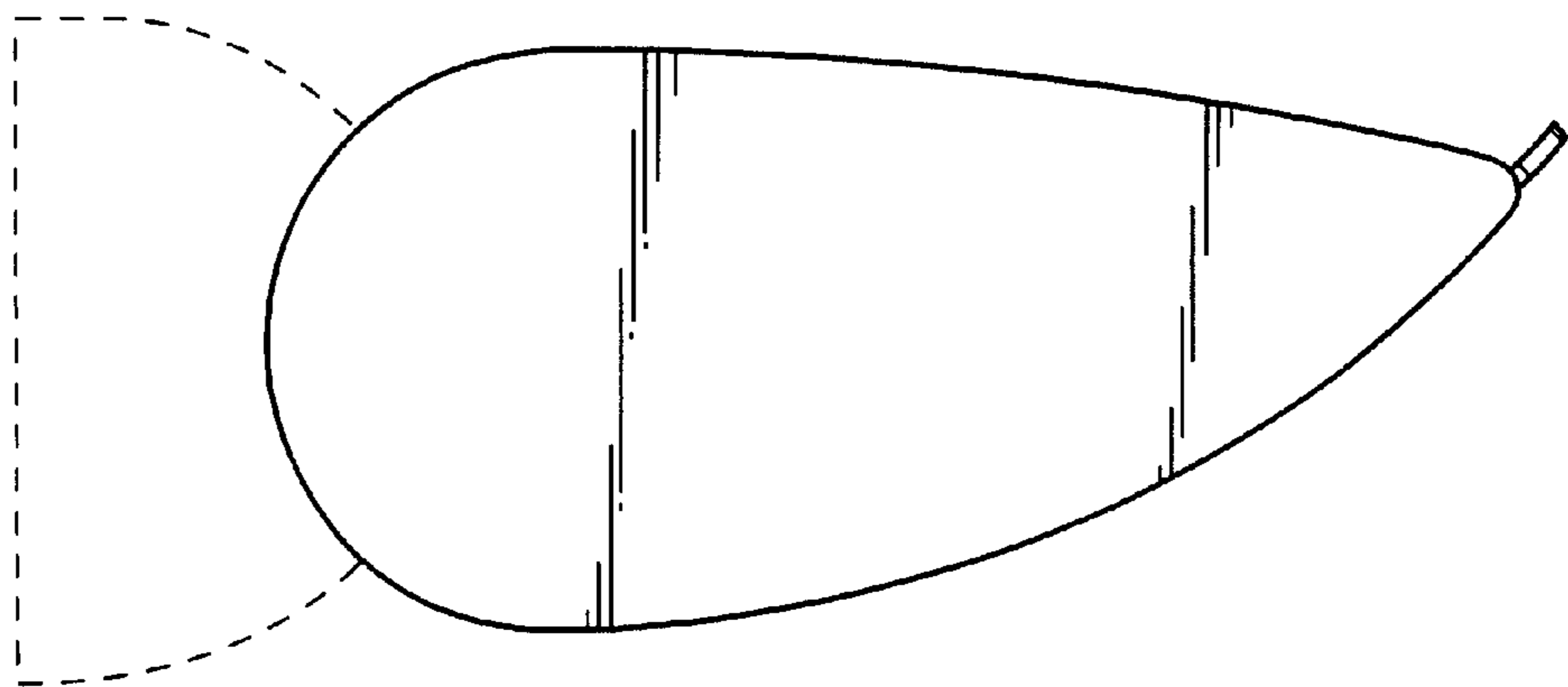


FIG. 5

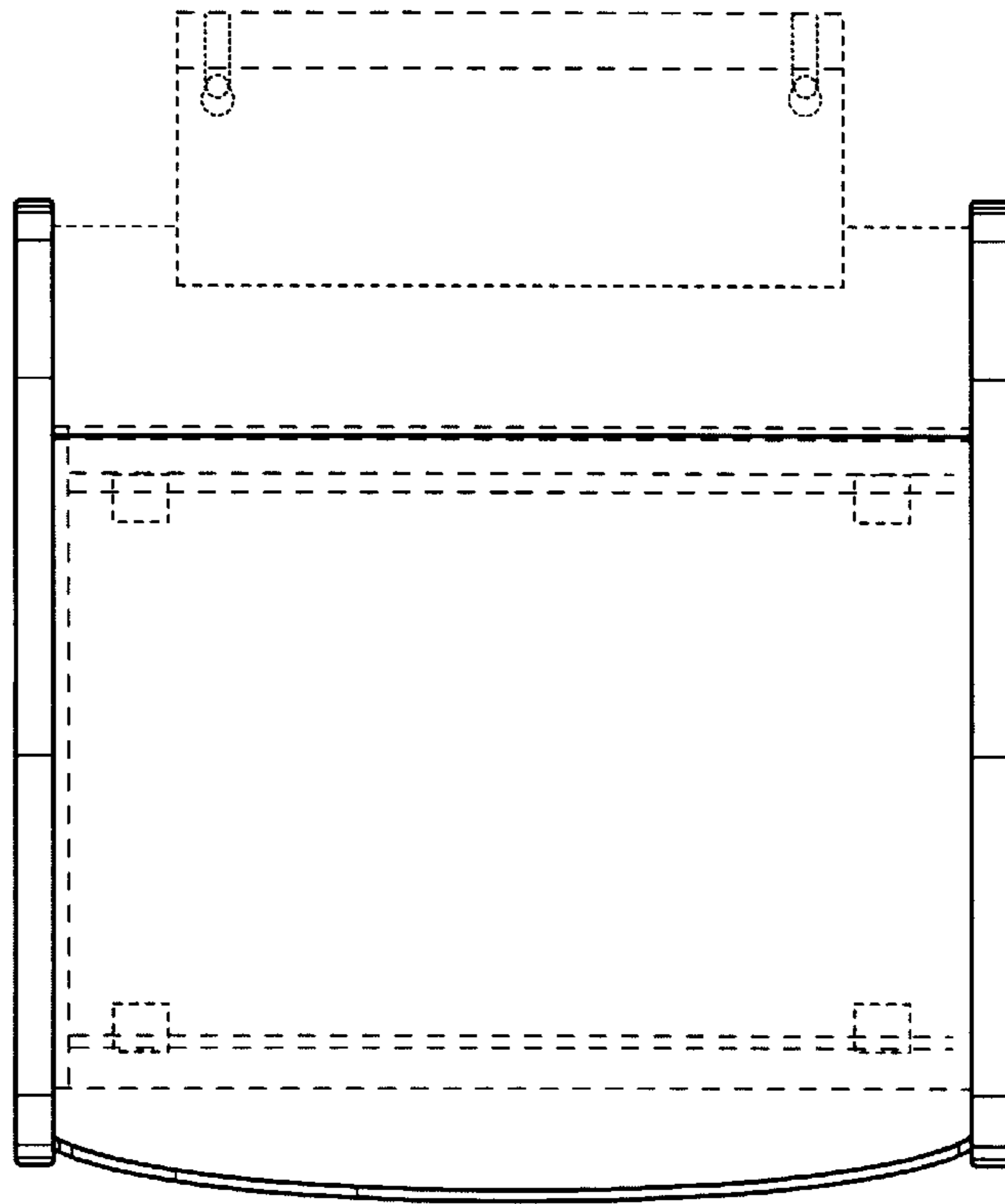


FIG. 6

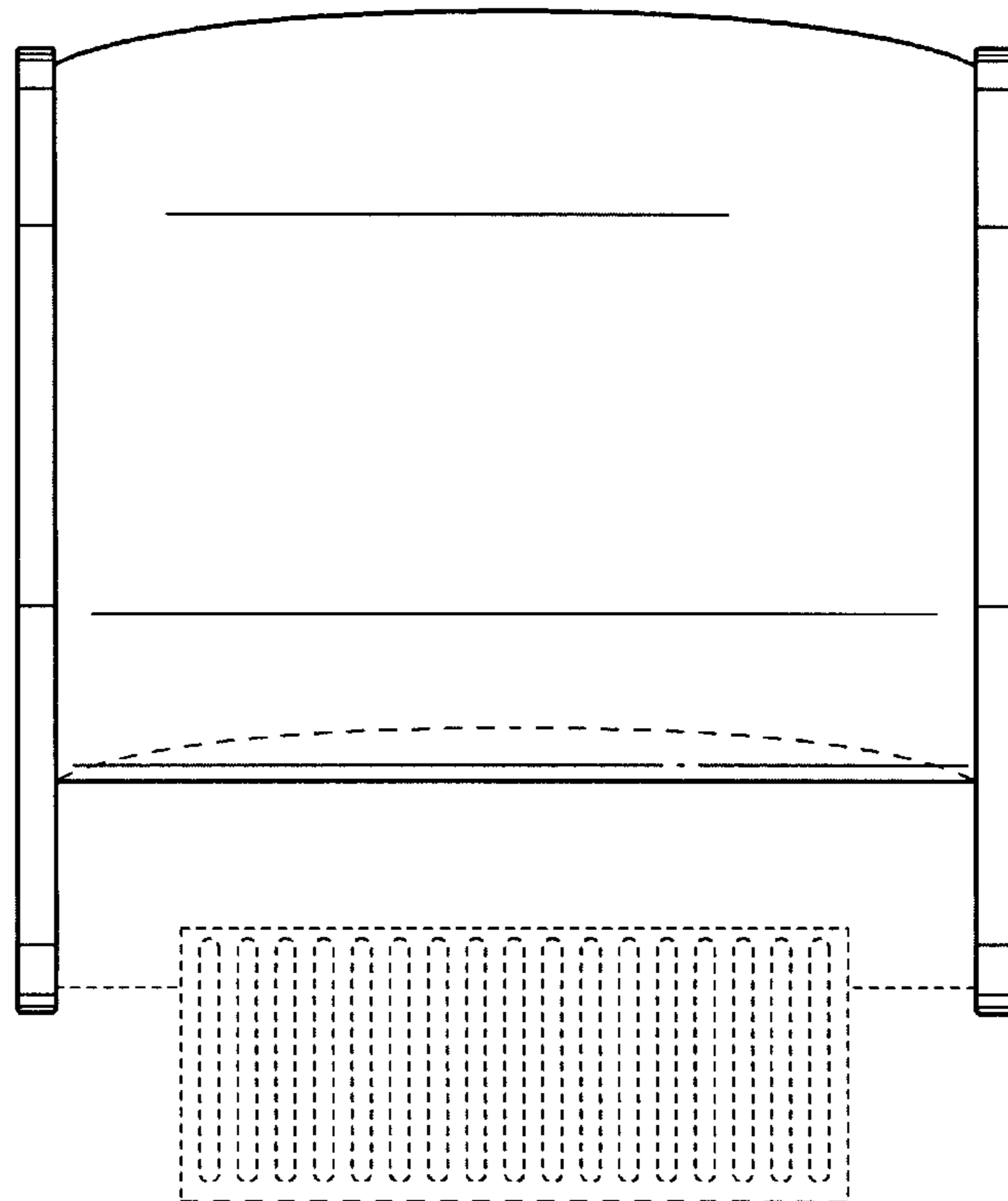


FIG. 7