



US00D485630S

(12) **United States Design Patent**
Chue

(10) **Patent No.:** **US D485,630 S**

(45) **Date of Patent:** **** Jan. 20, 2004**

(54) **COMBINATION FLASHLIGHT COMPACT MIRROR**

Primary Examiner—Marcus A. Jackson
(74) *Attorney, Agent, or Firm*—Lilling & Liling P.C.

(75) **Inventor:** **Lap Fu Chue**, Tai Po (HK)

(57) **CLAIM**

(73) **Assignee:** **Etna Products Company, Inc.**, New York, NY (US)

The ornamental design for a combination flashlight compact mirror, as shown and described.

(**) **Term:** **14 Years**

DESCRIPTION

(21) **Appl. No.:** **29/177,062**

FIG. 1 is a perspective view of my new and novel design; FIG. 2 is a perspective view of my new and novel design with the mirror removed;

(22) **Filed:** **Feb. 27, 2003**

(51) **LOC (7) Cl.** **26-02**

FIG. 3 is a front view of my new and novel design;

(52) **U.S. Cl.** **D26/38**

FIG. 4 is a rear view of my new and novel design;

(58) **Field of Search** D26/37-50; 362/157, 362/158, 171, 172, 173, 183-208

FIG. 5 is a left view of my new and novel design, with the right side view being a mirror image thereof;

(56) **References Cited**

FIG. 6 is a top view of my new and novel design;

U.S. PATENT DOCUMENTS

FIG. 7 is a bottom side view of my new and novel design; and,

D401,371 S * 11/1998 Chen D26/38

FIG. 8 is a perspective view of my new and novel design with the unit closed.

D411,637 S * 6/1999 Suzuki D26/38

D433,170 S * 10/2000 Chan D26/38

* cited by examiner

1 Claim, 3 Drawing Sheets

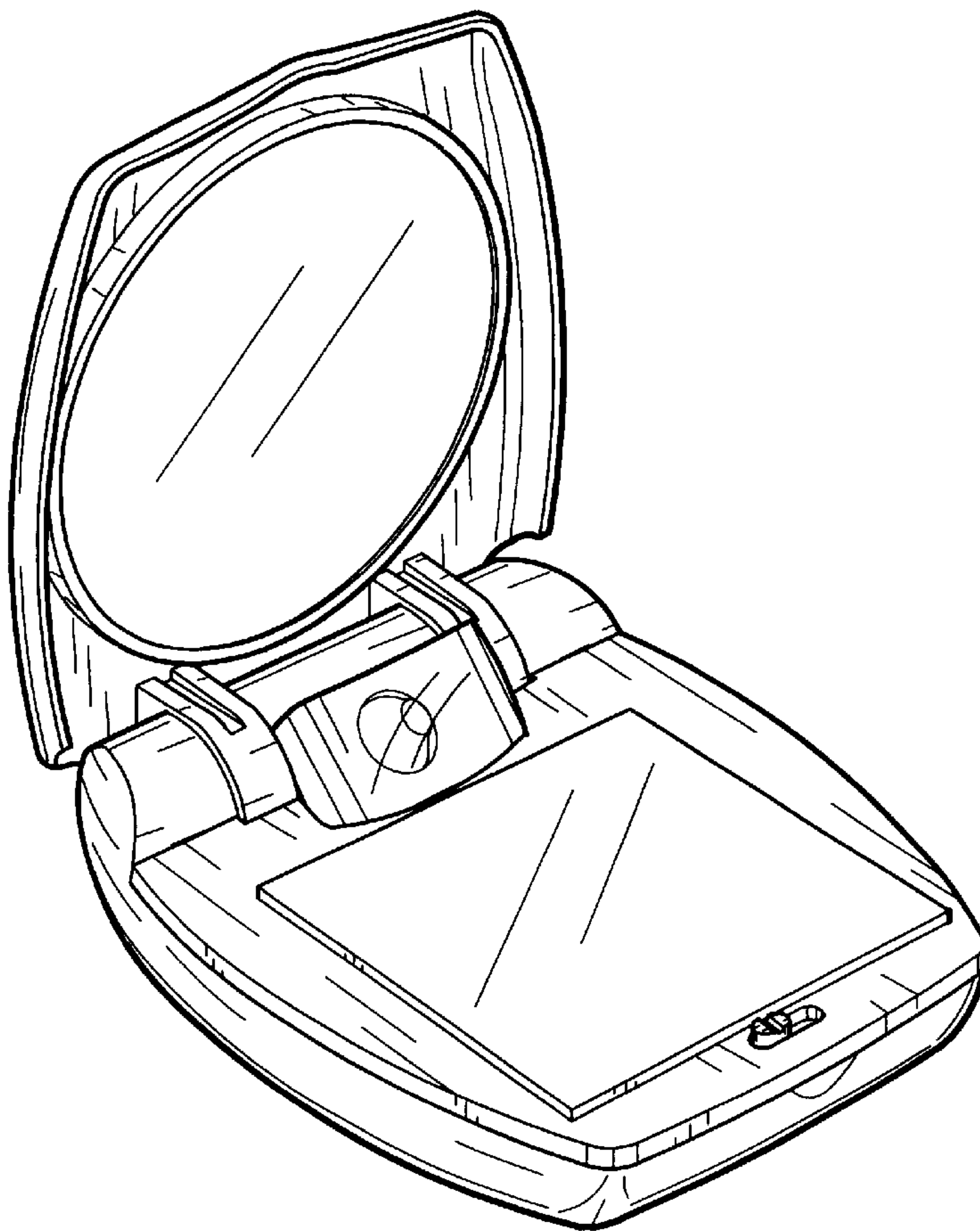


FIG. 1

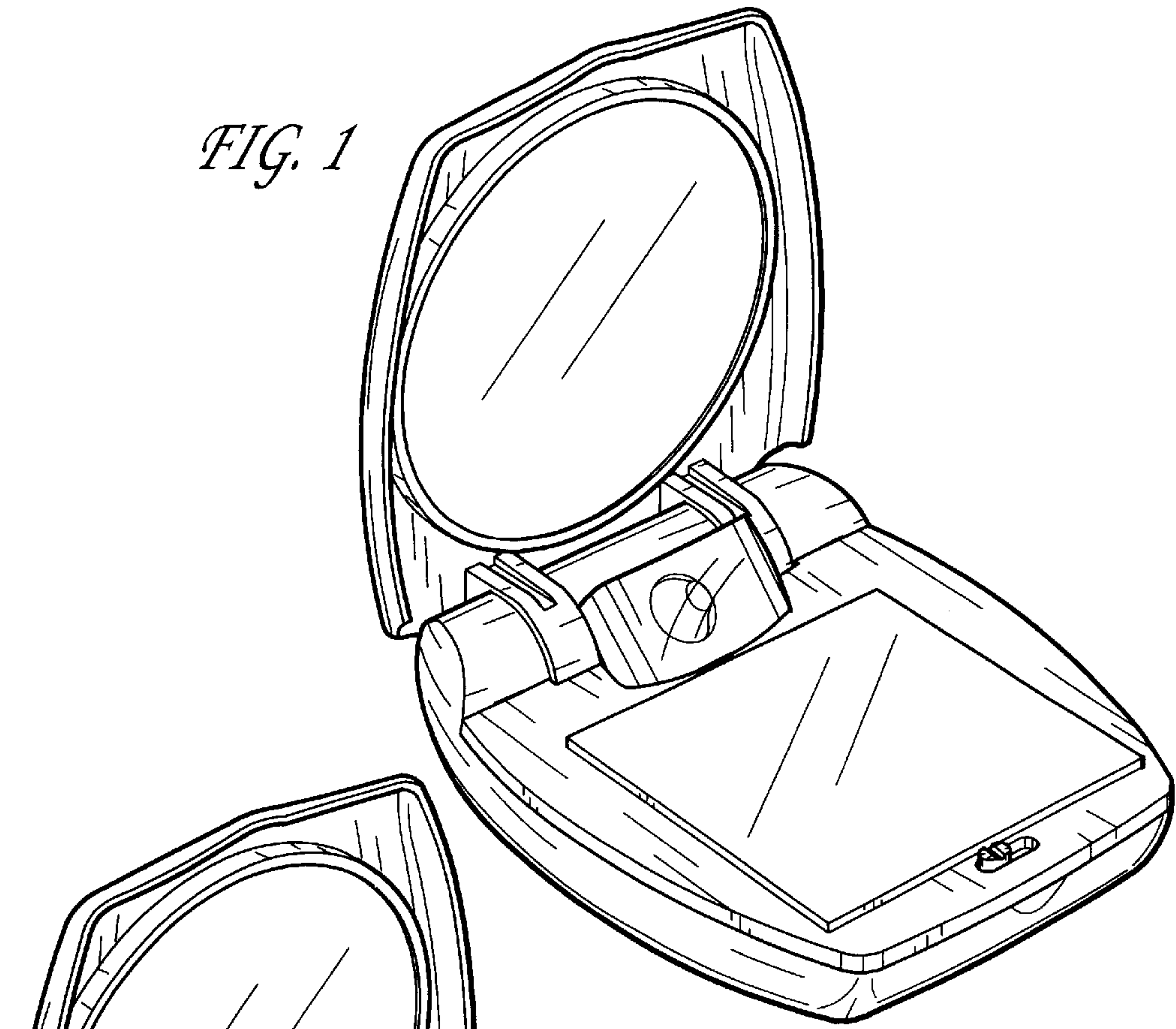


FIG. 2

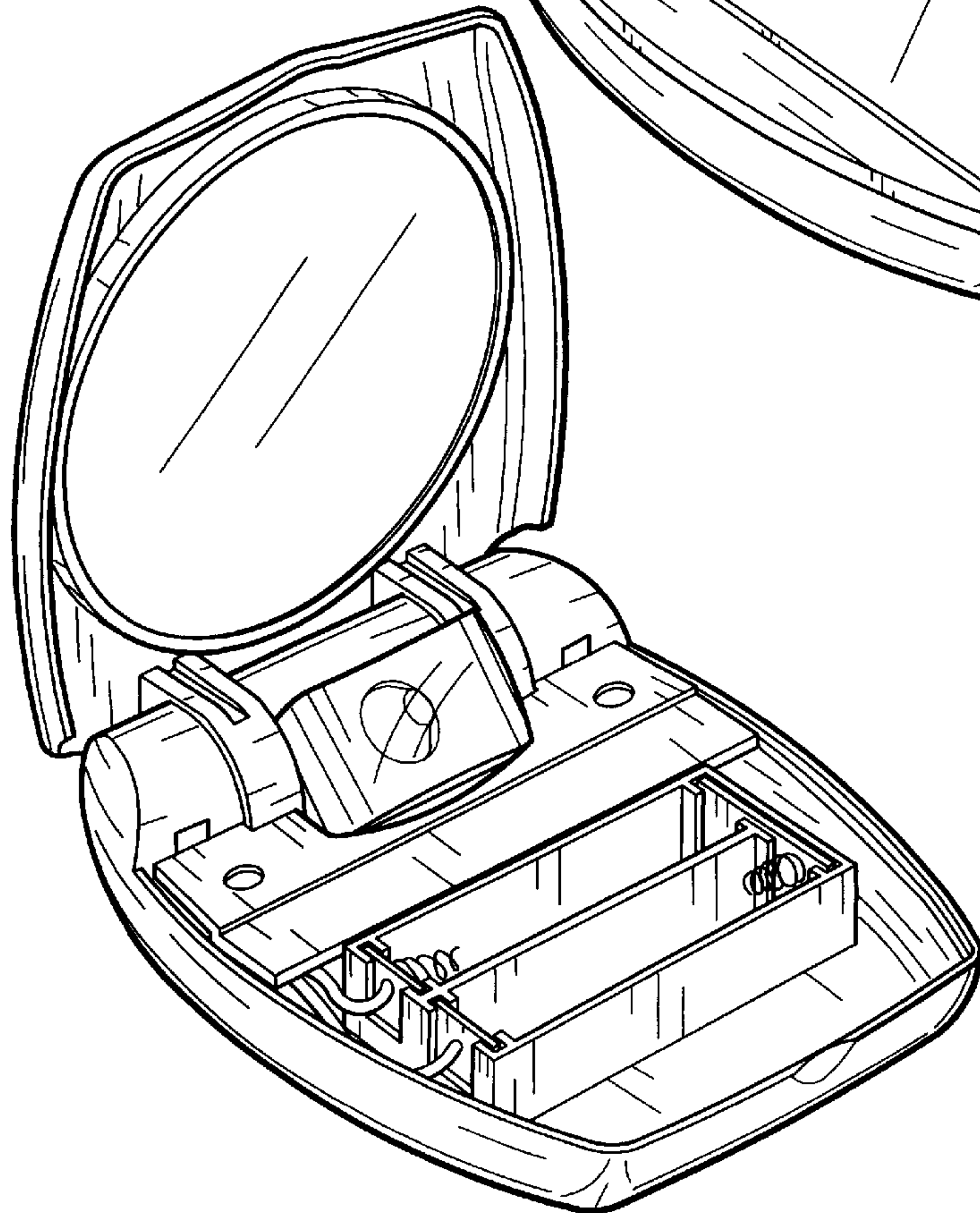


FIG. 3

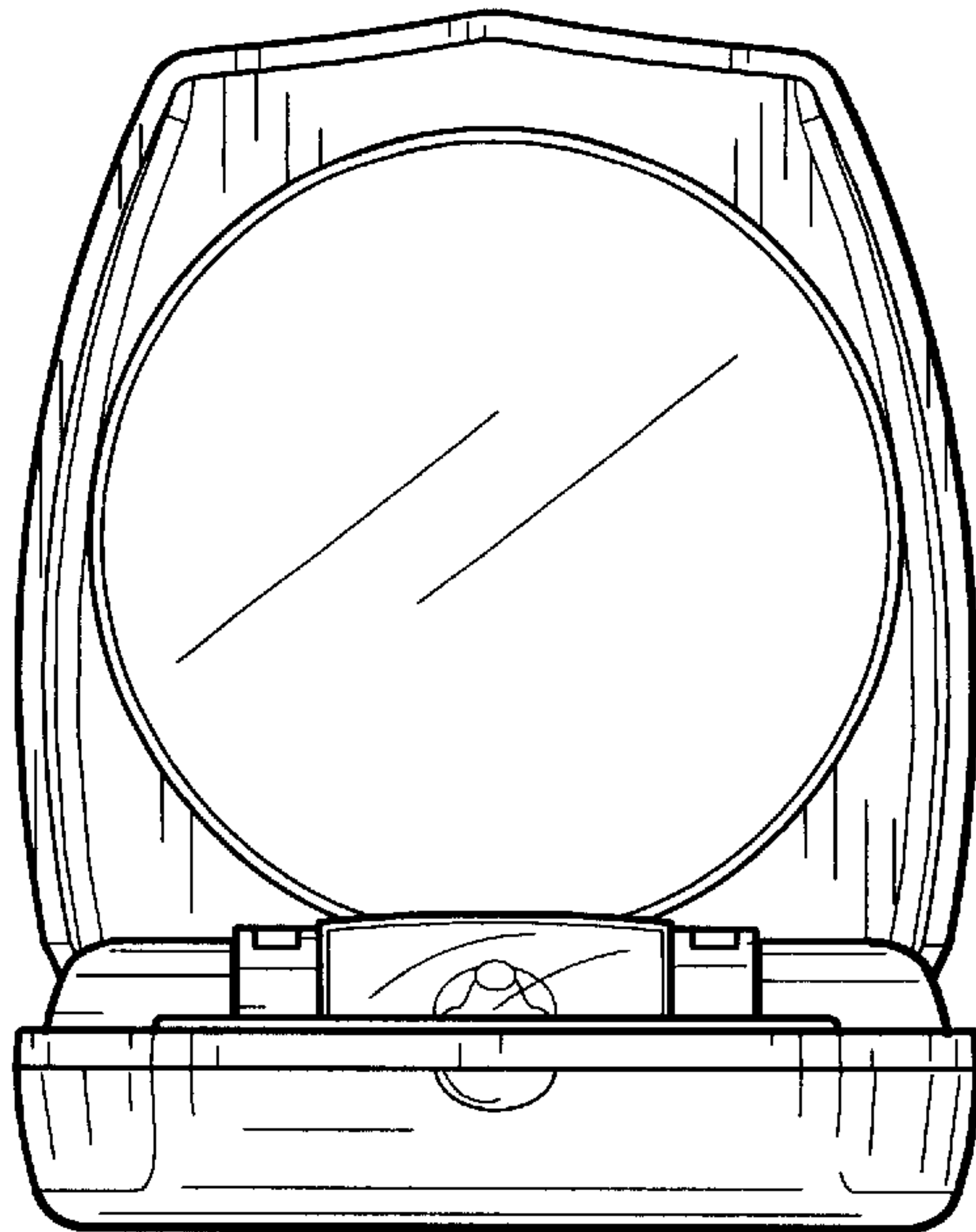


FIG. 4

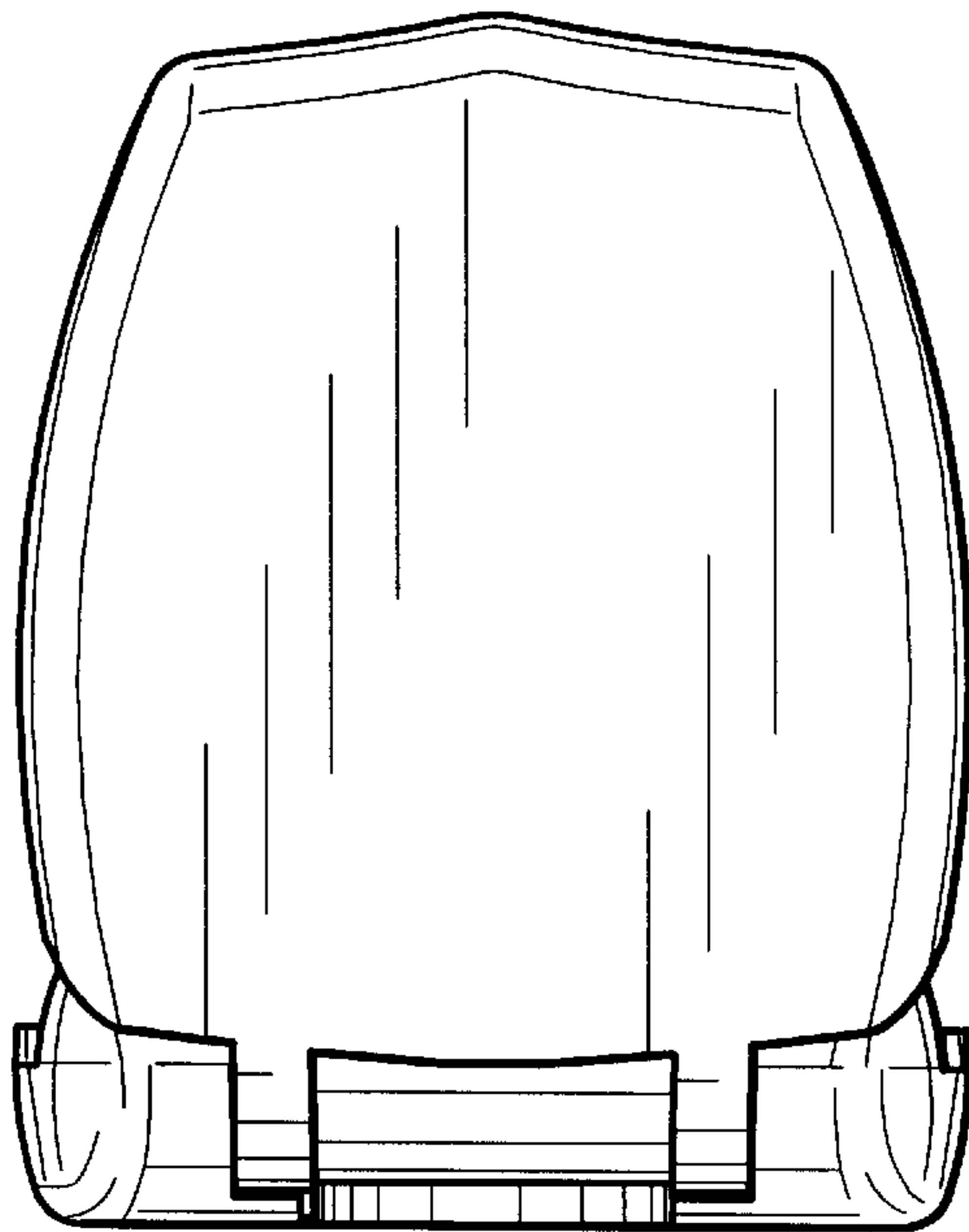


FIG. 5

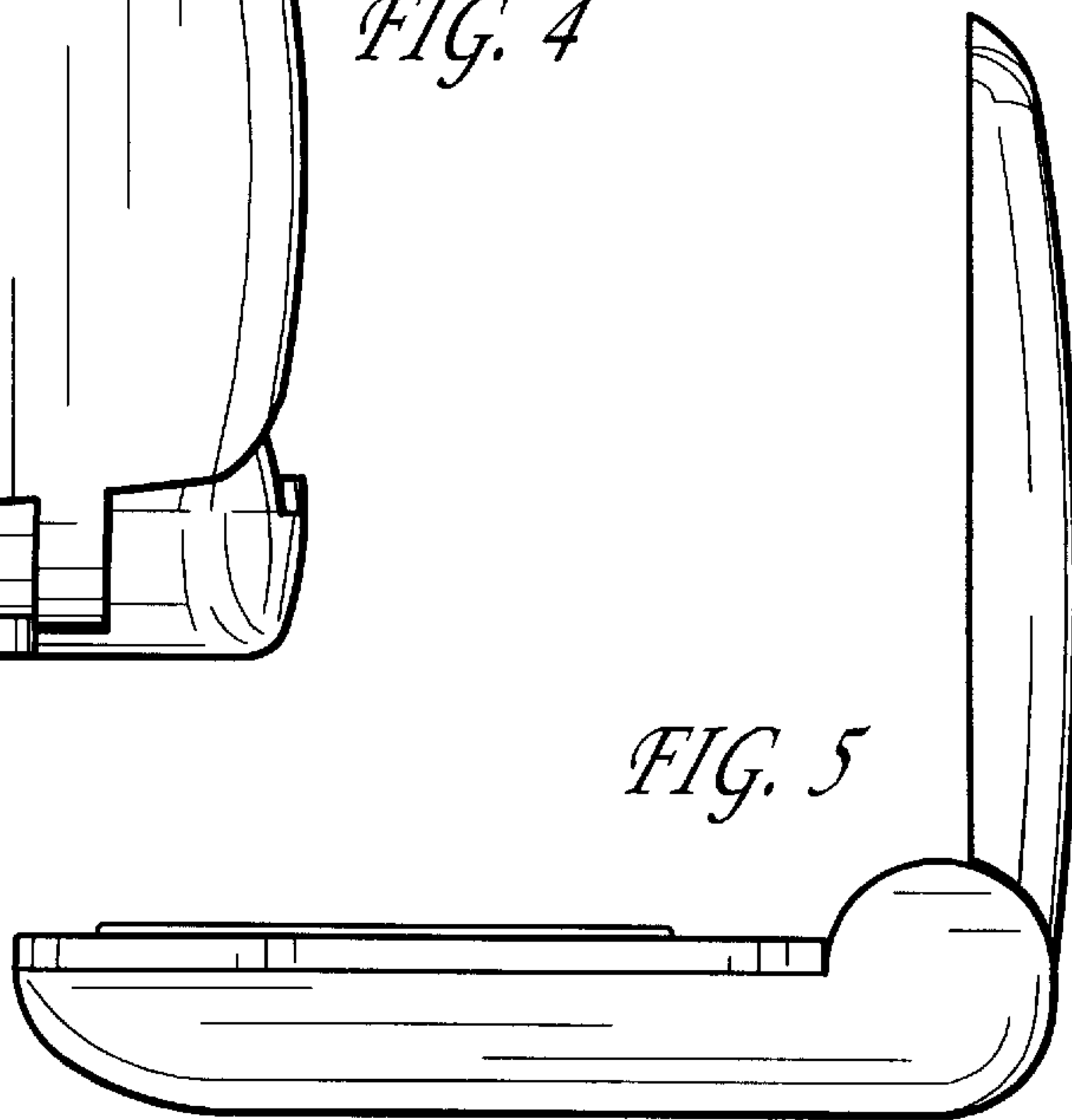


FIG. 6

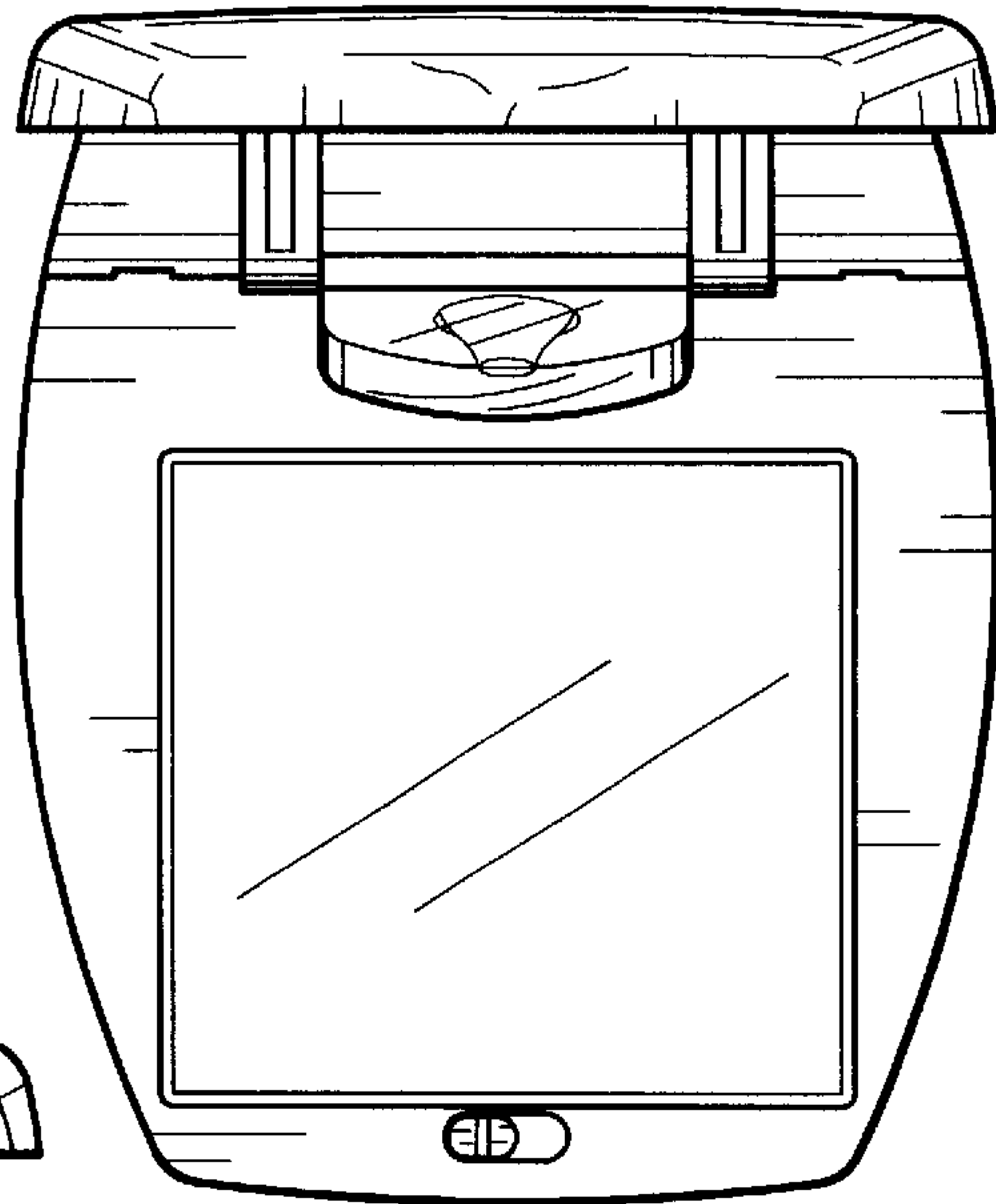


FIG. 7

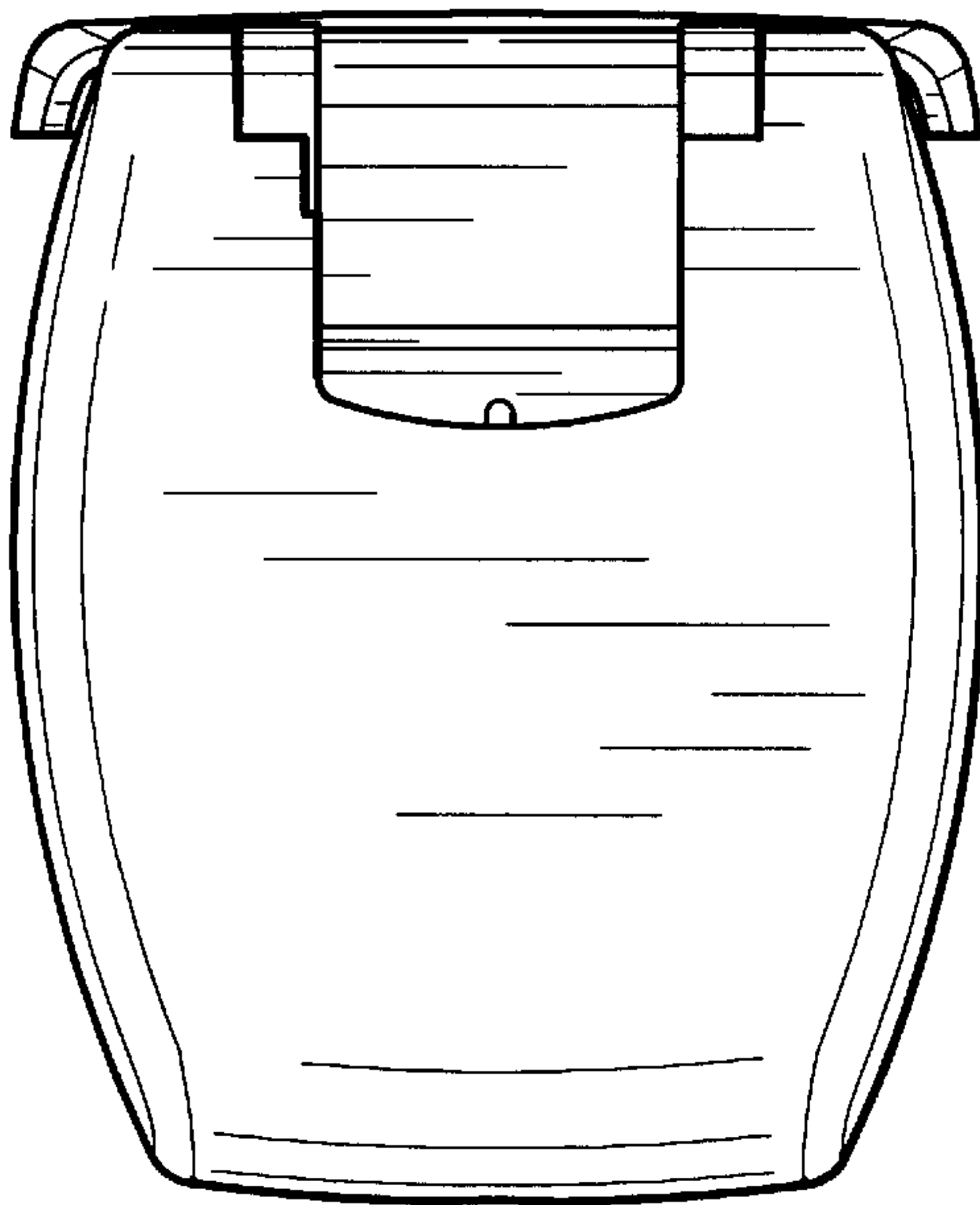


FIG. 8

