



US00D485629S

(12) **United States Design Patent**  
**Chan**

(10) **Patent No.:** **US D485,629 S**

(45) **Date of Patent:** **\*\* Jan. 20, 2004**

(54) **TORCH**

D430,321 S \* 8/2000 Sharrah ..... D26/37  
D469,555 S \* 1/2003 Hong ..... D26/38

(75) Inventor: **Sik-Leung Chan, Tsuen Wan (CN)**

\* cited by examiner

(73) Assignee: **C. C. & L Company Limited, Tsuen Wan (CN)**

*Primary Examiner*—Marcus A. Jackson  
(74) *Attorney, Agent, or Firm*—Alix, Yale & Ristas, LLP

(\*\*) Term: **14 Years**

(57) **CLAIM**

(21) Appl. No.: **29/179,735**

The ornamental design for a torch, as shown and described.

(22) Filed: **Apr. 14, 2003**

**DESCRIPTION**

(30) **Foreign Application Priority Data**

Oct. 22, 2002 (HK) ..... 0211720

FIG. 1 is a front elevational view of a torch showing my new design;

(51) **LOC (7) Cl.** ..... **26-02**

FIG. 2 is a rear elevational view thereof;

(52) **U.S. Cl.** ..... **D26/37**

FIG. 3 is a top plan view thereof;

(58) **Field of Search** ..... D26/37-50; 362/157,  
362/158, 171, 172, 173, 183-208

FIG. 4 is a bottom plan view thereof;

FIG. 5 is a left side elevational view thereof;

FIG. 6 is a right side elevational view thereof;

FIG. 7 is a front perspective view thereof;

FIG. 8 is a rear perspective view thereof; and,

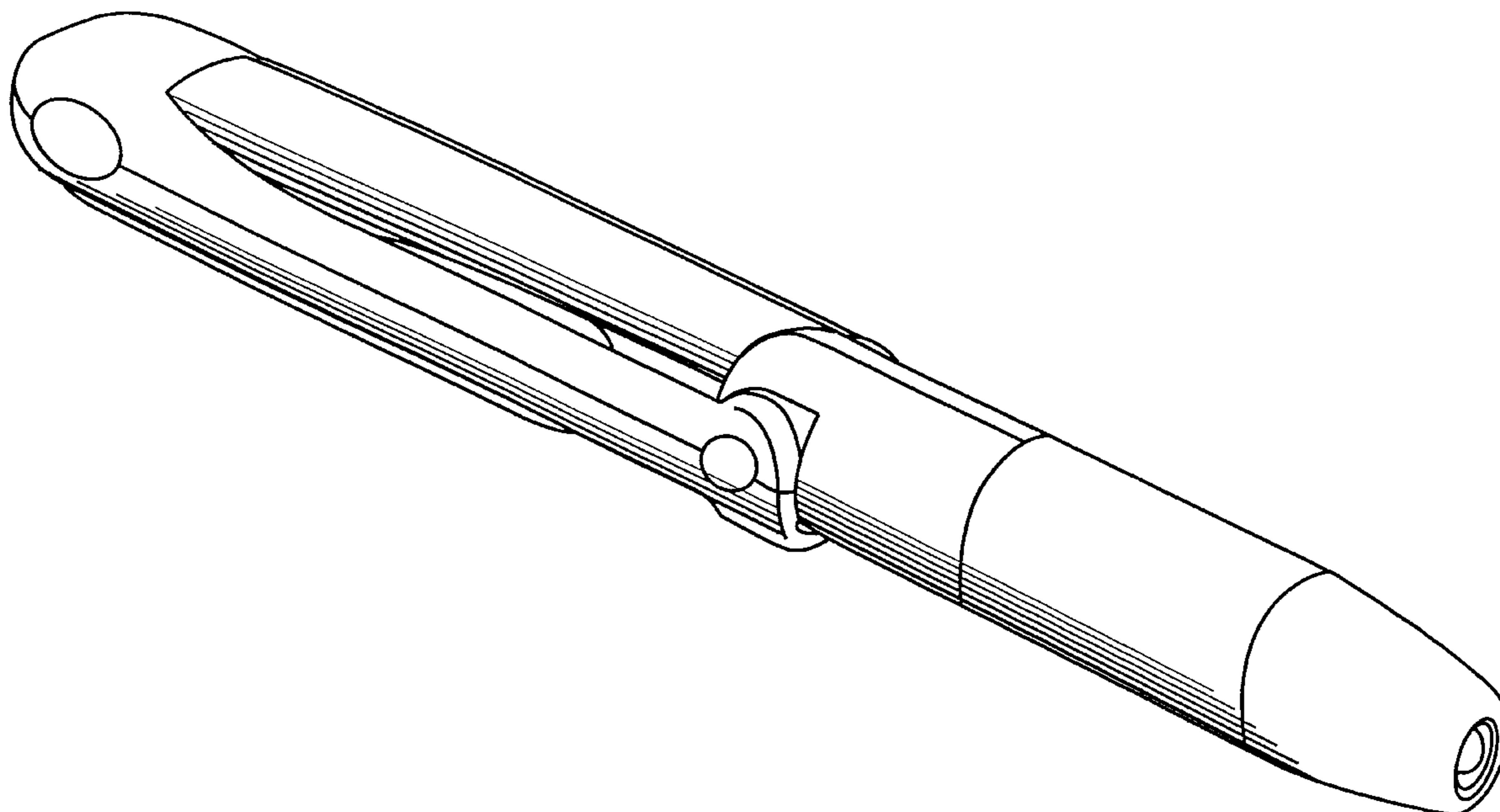
FIG. 9 is a front perspective view in opened position thereof.

(56) **References Cited**

**U.S. PATENT DOCUMENTS**

D329,823 S \* 9/1992 Francisco ..... D26/38

**1 Claim, 9 Drawing Sheets**



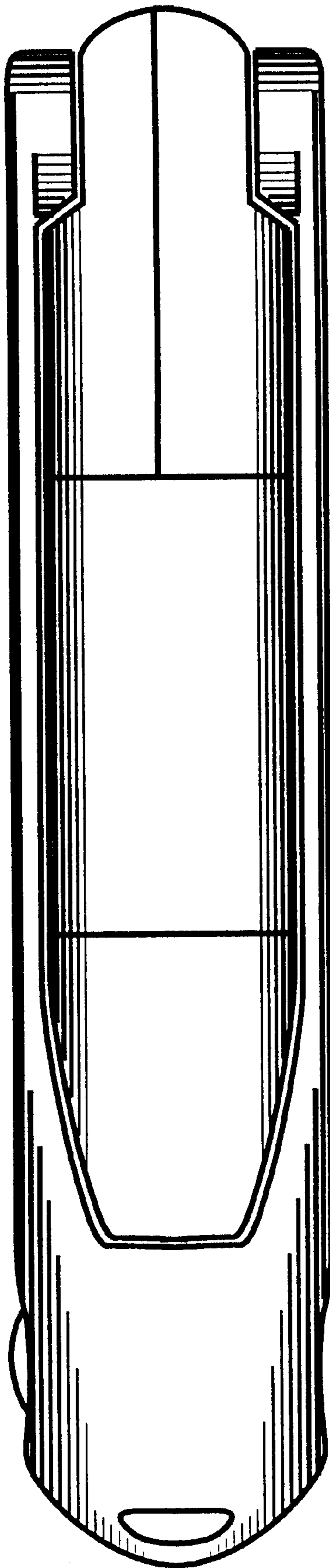


Figure 1

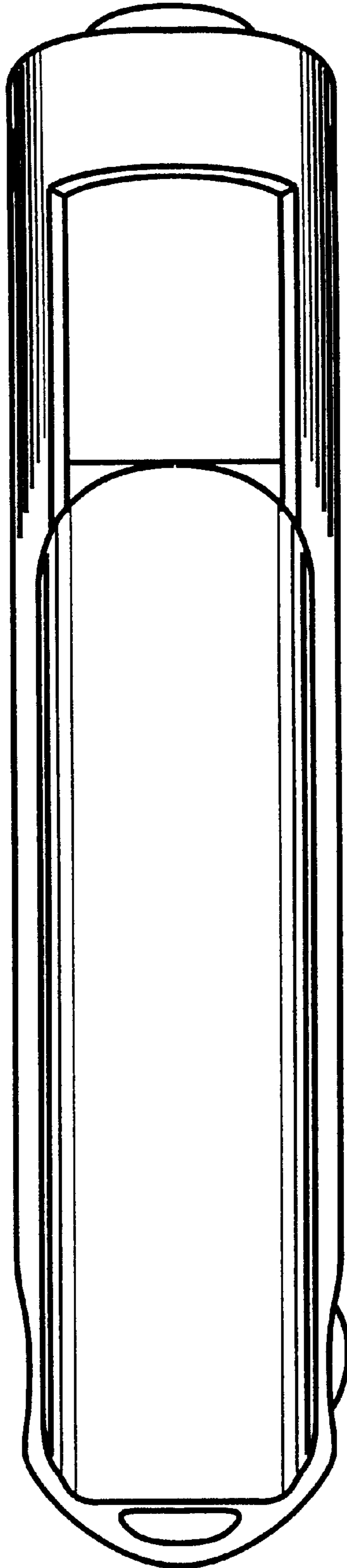


Figure 2



Figure 3



Figure 4

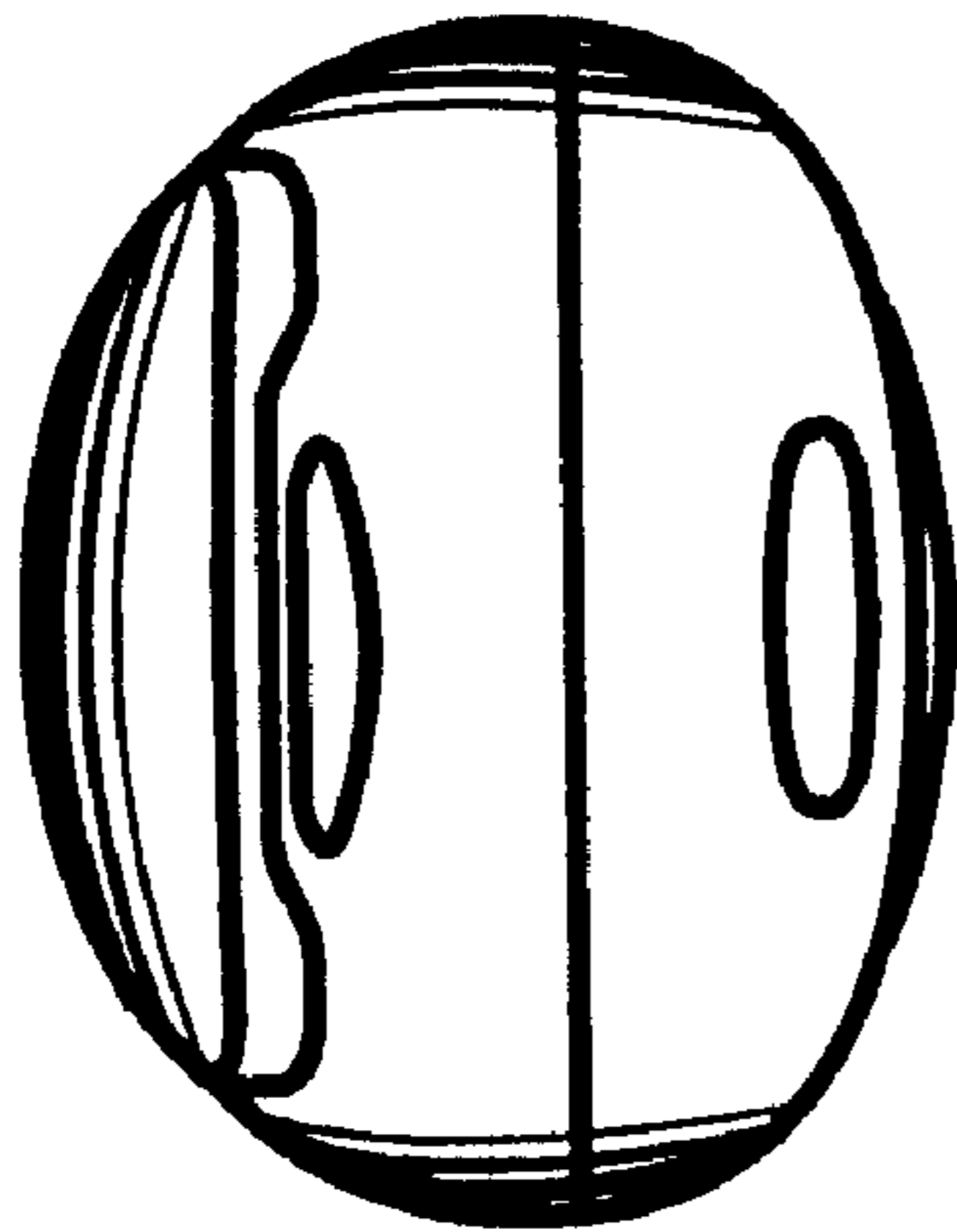


Figure 5

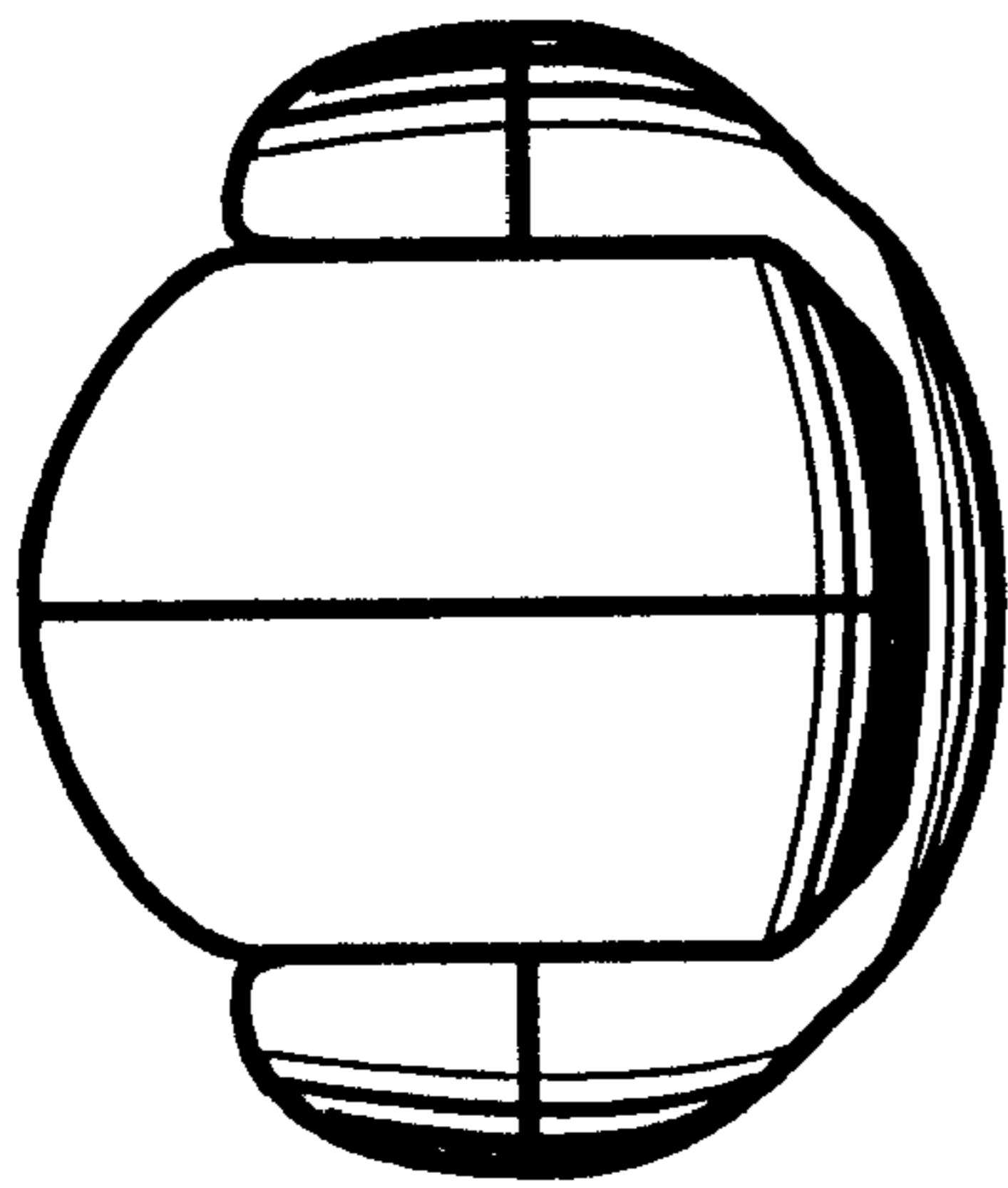


Figure 6

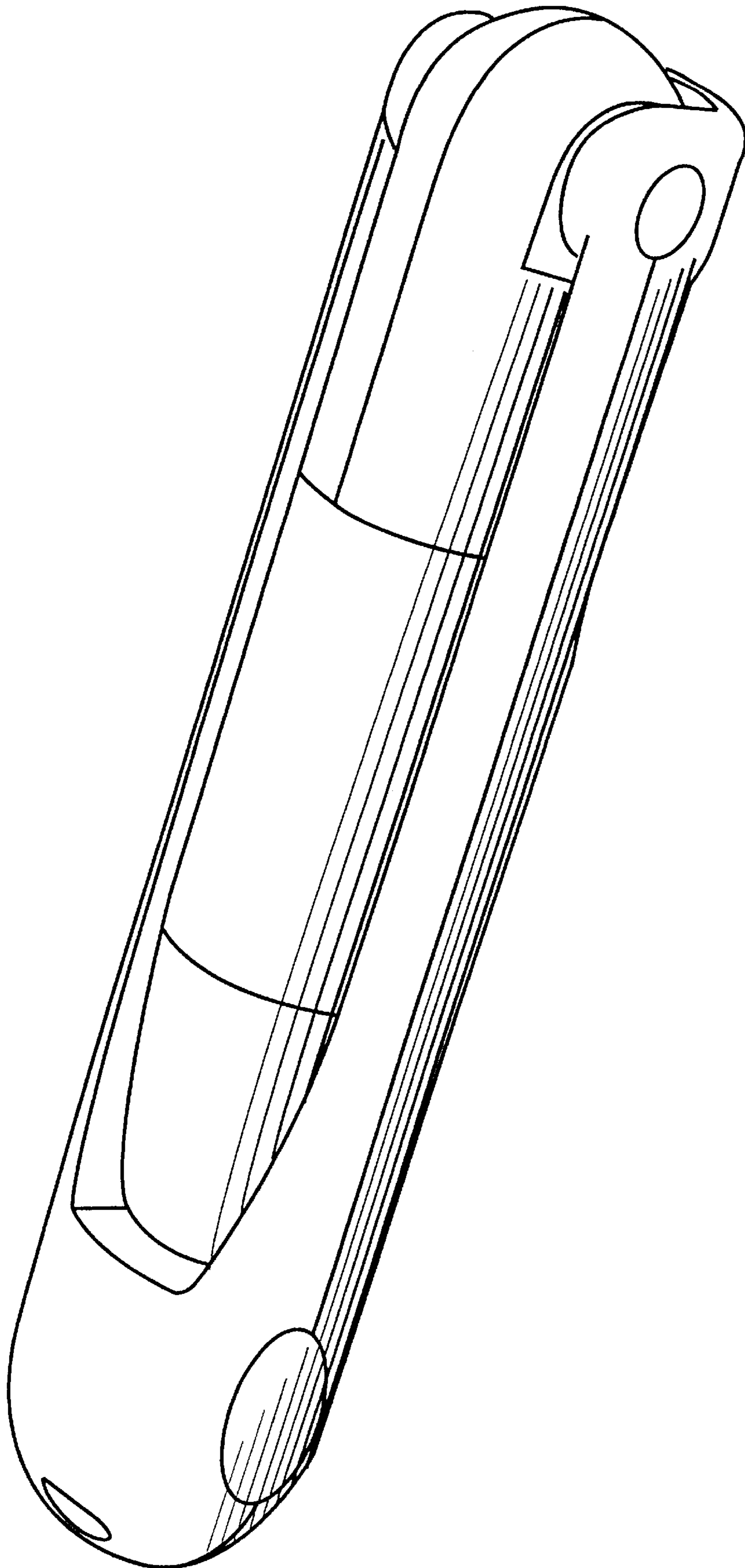


Figure 7



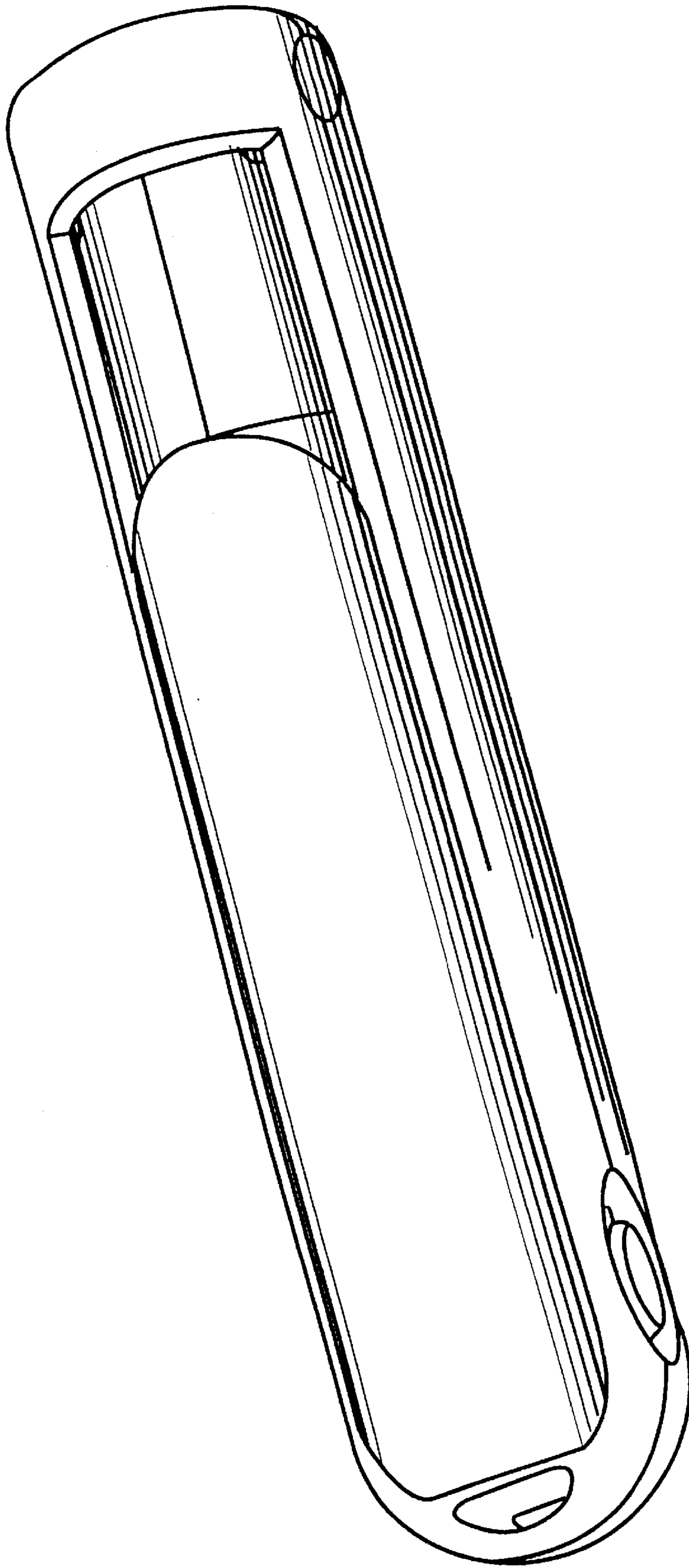


Figure 8

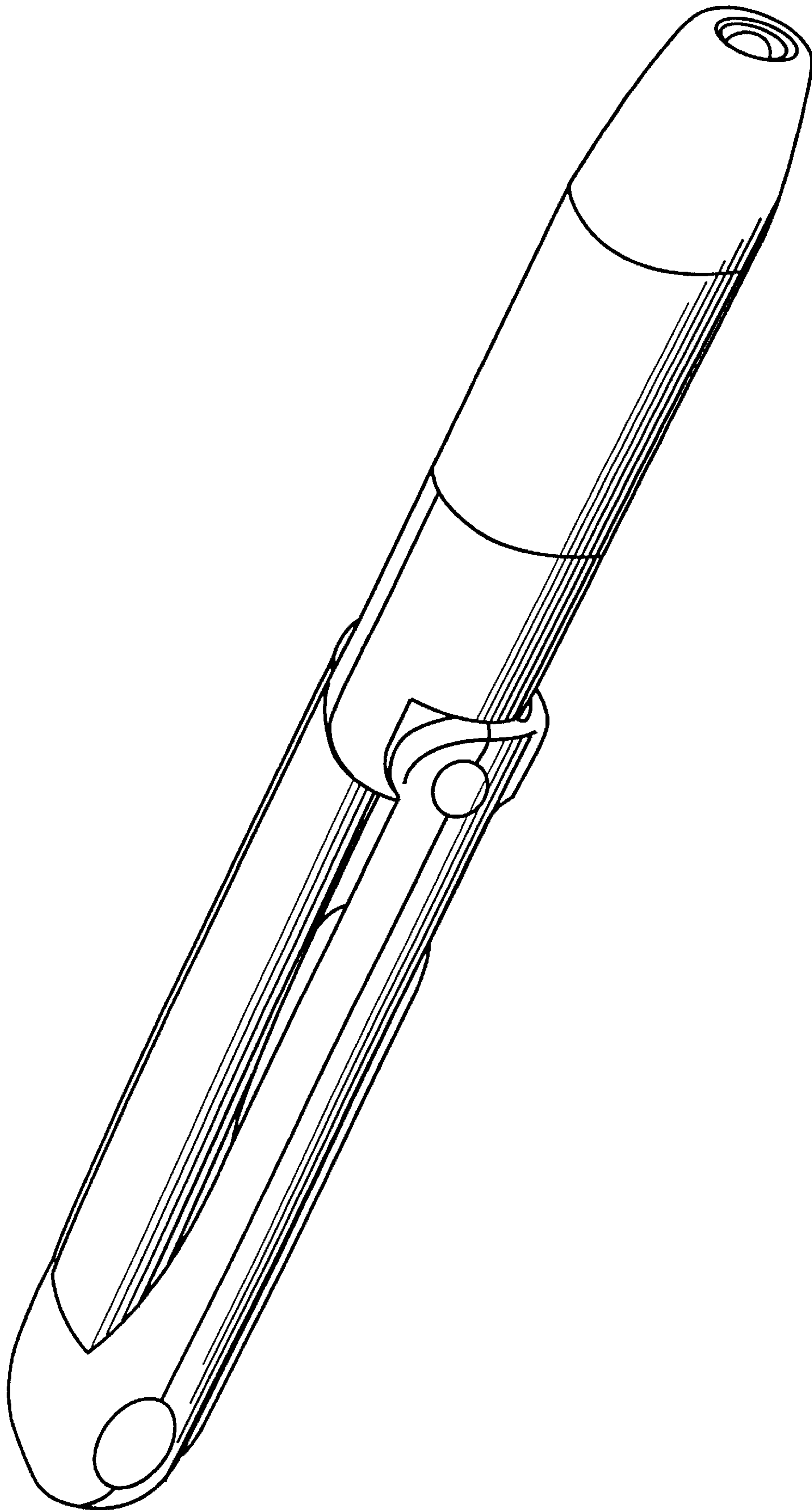


FIGURE 9