



US00D485628S

(12) **United States Design Patent**  
**Yuen**

(10) **Patent No.:** **US D485,628 S**

(45) **Date of Patent:** **\*\* Jan. 20, 2004**

(54) **RECHARGEABLE LANTERN**

D453,047 S \* 1/2002 Yuen ..... D26/44

(75) Inventor: **John Se-Kit Yuen**, Kowloon (HK)

\* cited by examiner

(73) Assignee: **John Manufacturing Limited**,  
Kowloon (HK)

*Primary Examiner*—Marcus A. Jackson  
(74) *Attorney, Agent, or Firm*—Mattingly, Stanger &  
Malur, P.C.

(\*\*) Term: **14 Years**

(57) **CLAIM**

(21) Appl. No.: **29/175,783**

The ornamental design for a “rechargeable lantern”, as  
shown and described.

(22) Filed: **Feb. 11, 2003**

(30) **Foreign Application Priority Data**

**DESCRIPTION**

Aug. 12, 2002 (GB) ..... 3006178

FIG. 1 is a perspective view of a rechargeable lantern  
showing my new design;  
FIG. 2 is a top view thereof;  
FIG. 3 is a left side view thereof;  
FIG. 4 is a bottom view thereof;  
FIG. 5 is a front view thereof;  
FIG. 6 is rear view thereof; and,  
FIG. 7 is a left side view thereof with the lower handle  
extended.

(51) **LOC (7) Cl.** ..... **26-02**

(52) **U.S. Cl.** ..... **D26/37; D26/44**

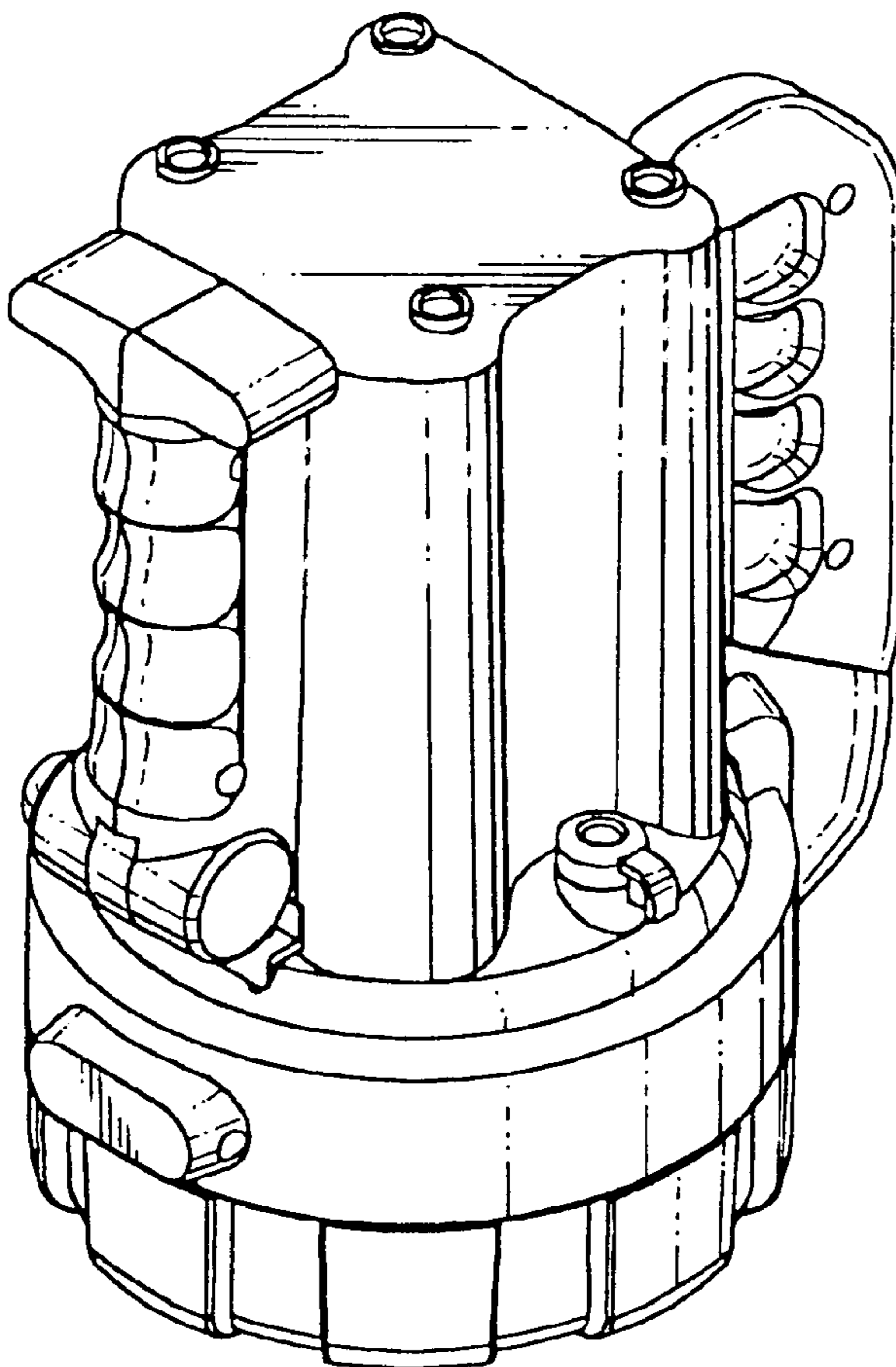
(58) **Field of Search** ..... **D26/37-50; 362/157,**  
**362/158, 171, 172, 173, 183-208**

(56) **References Cited**

**U.S. PATENT DOCUMENTS**

D440,333 S \* 4/2001 Yuen ..... D26/37

**1 Claim, 3 Drawing Sheets**



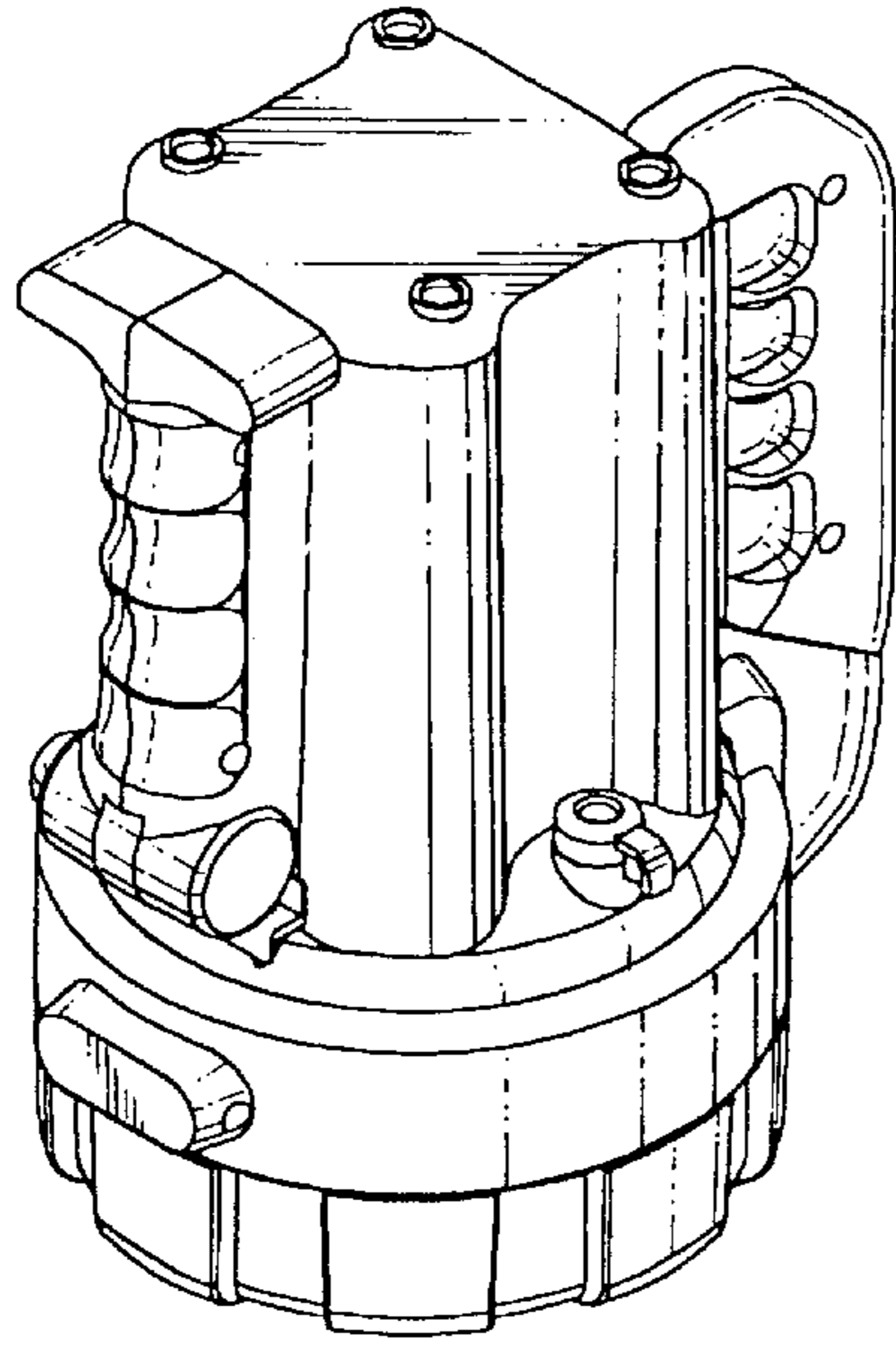


FIG. 1

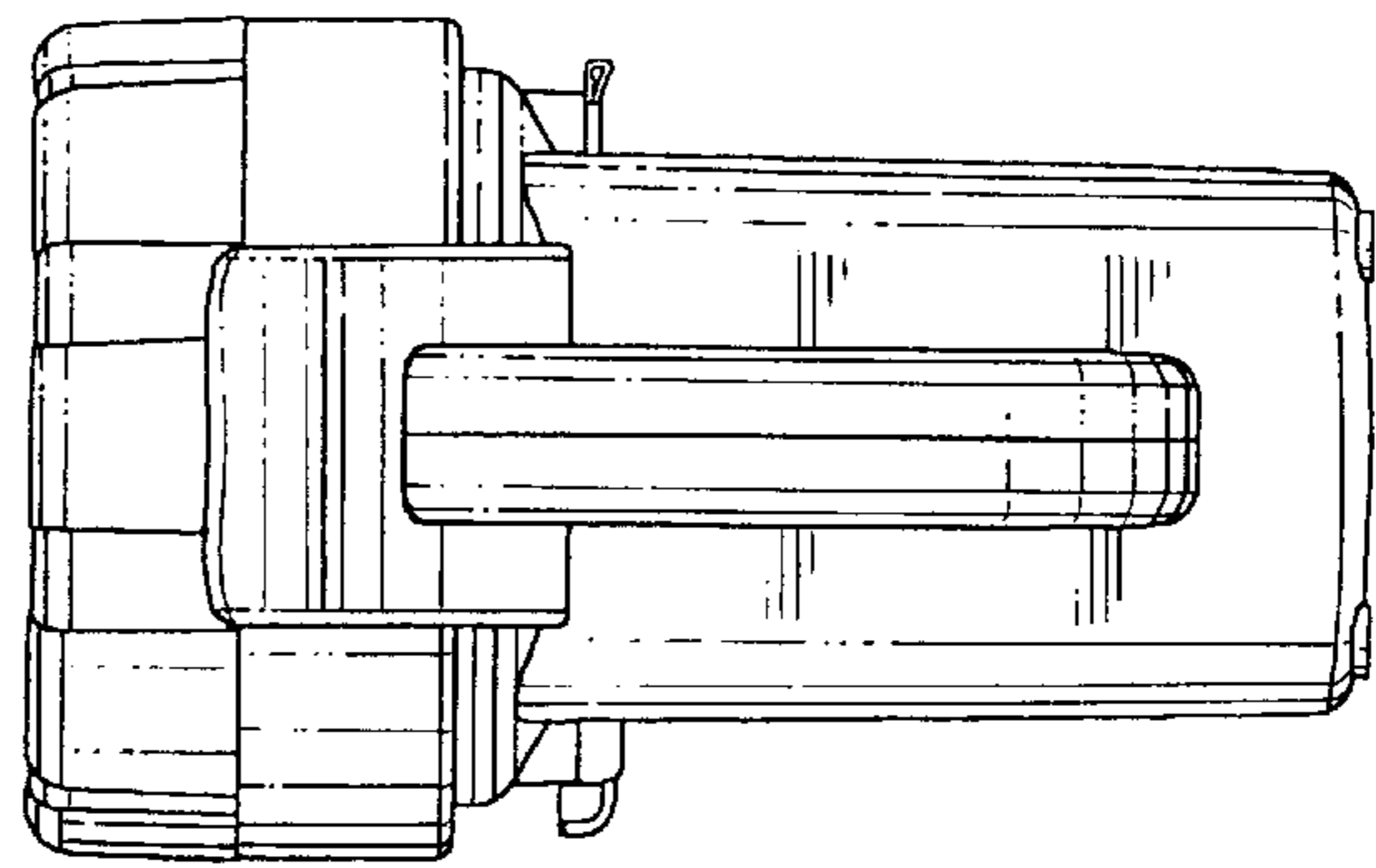


FIG. 2

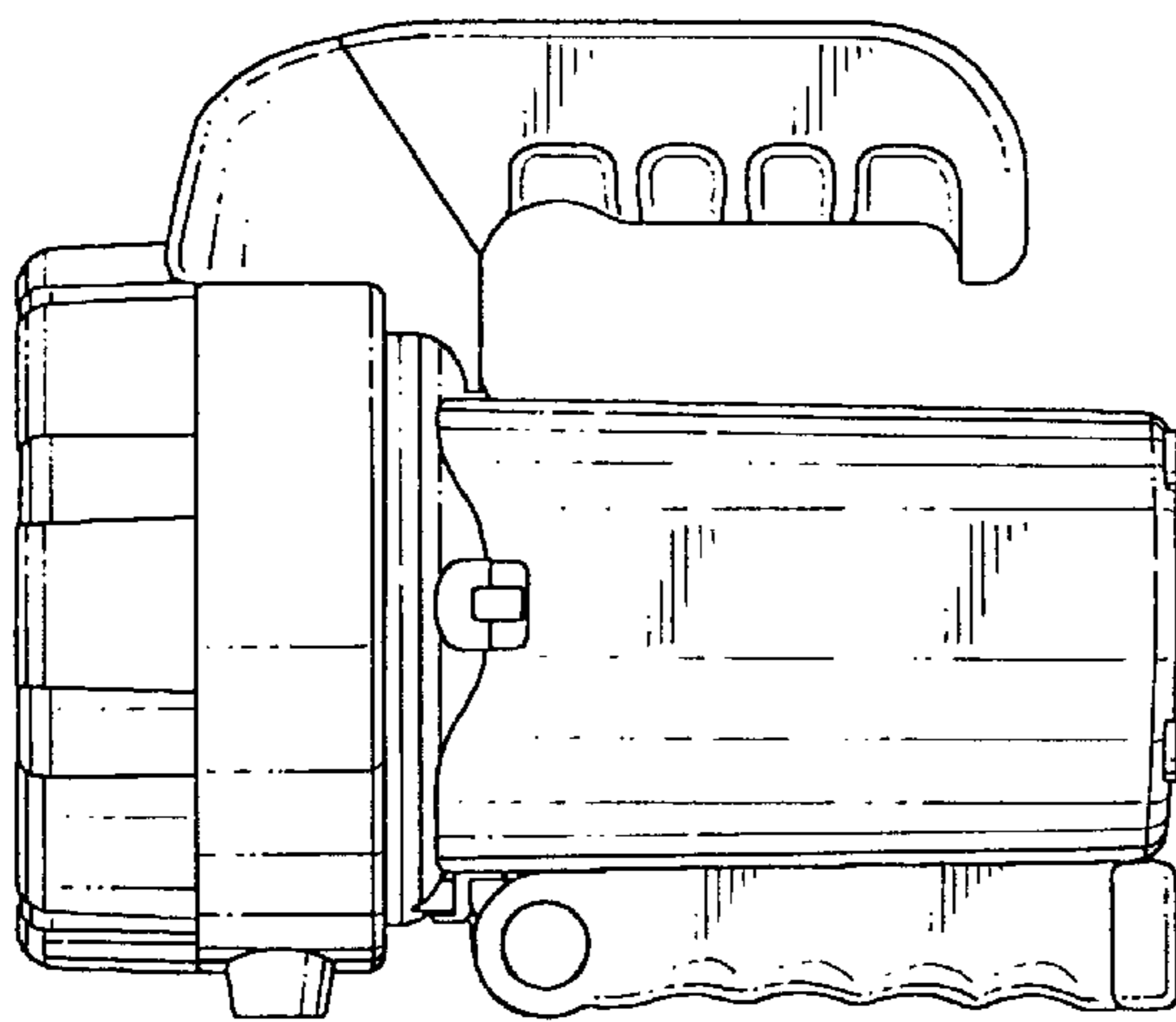


FIG. 3

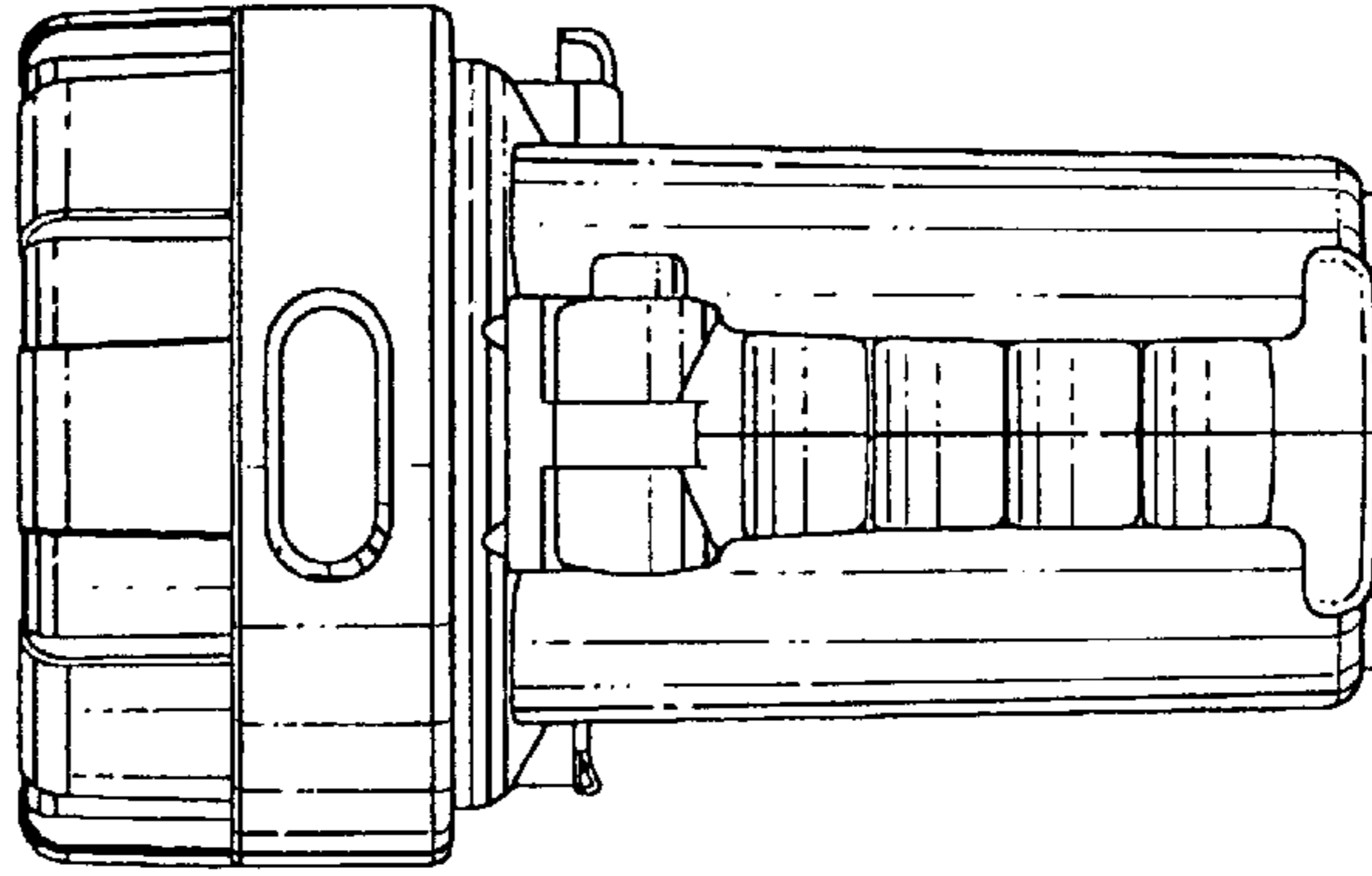


FIG. 4

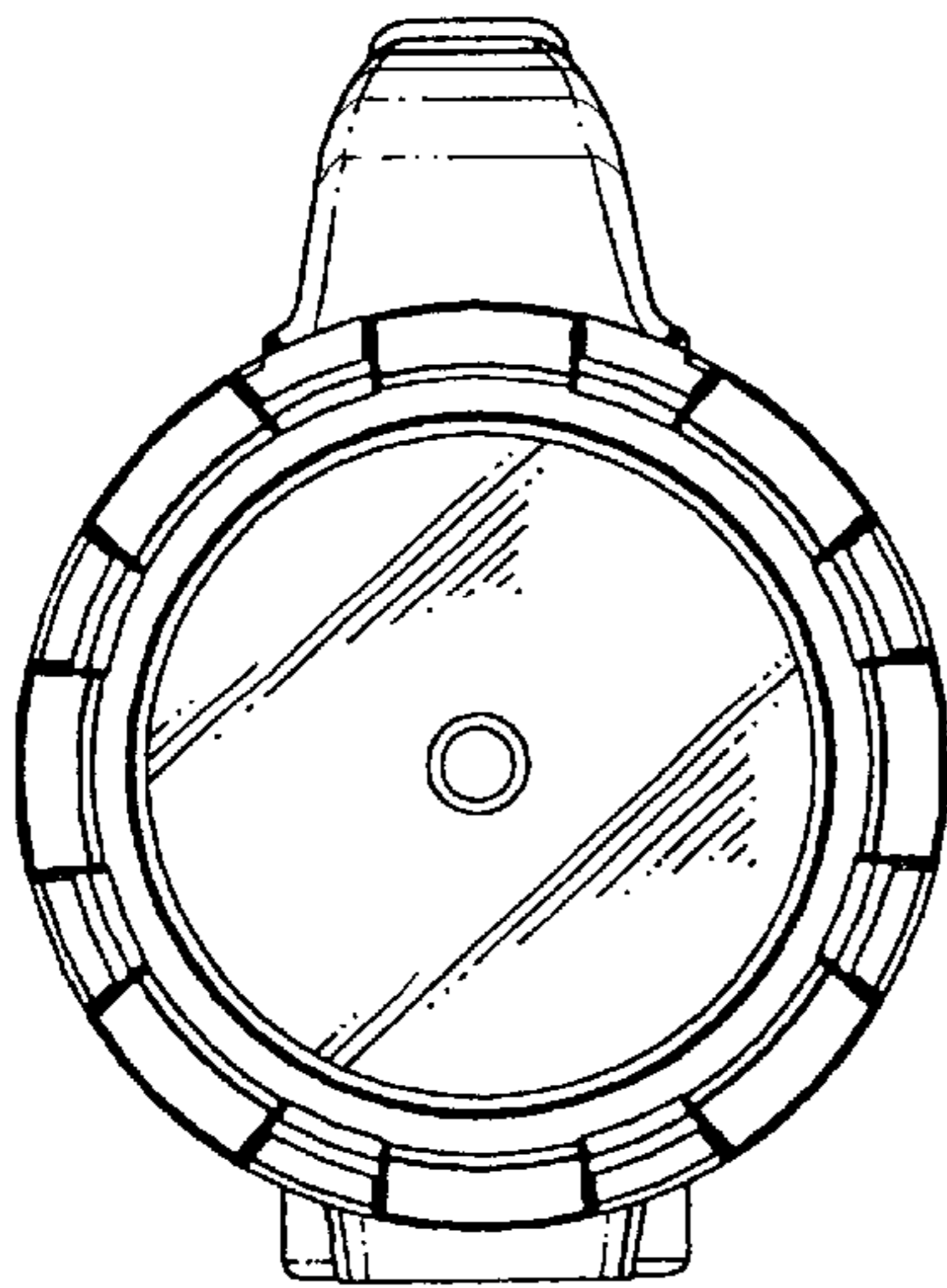


FIG. 5

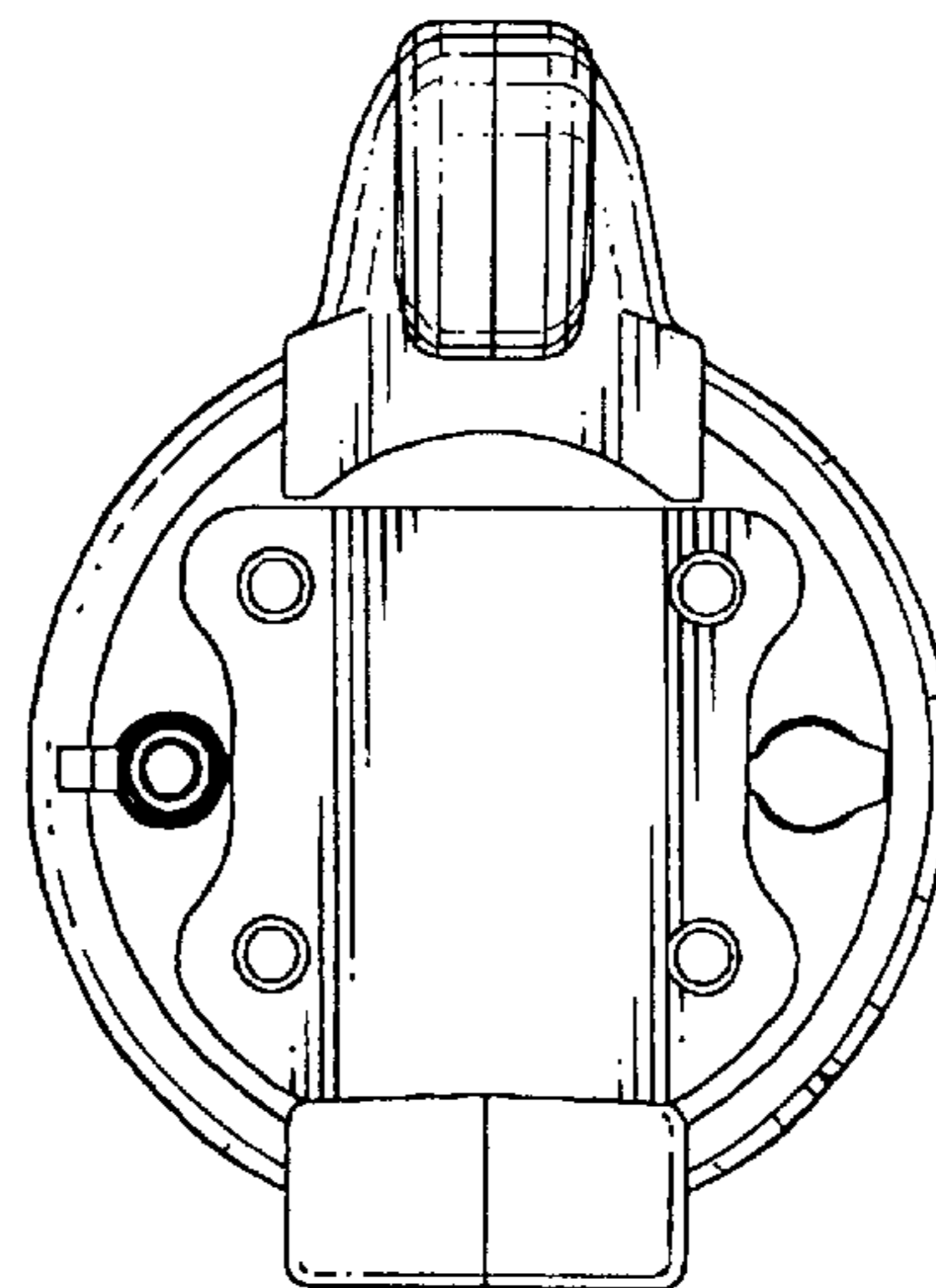


FIG. 6

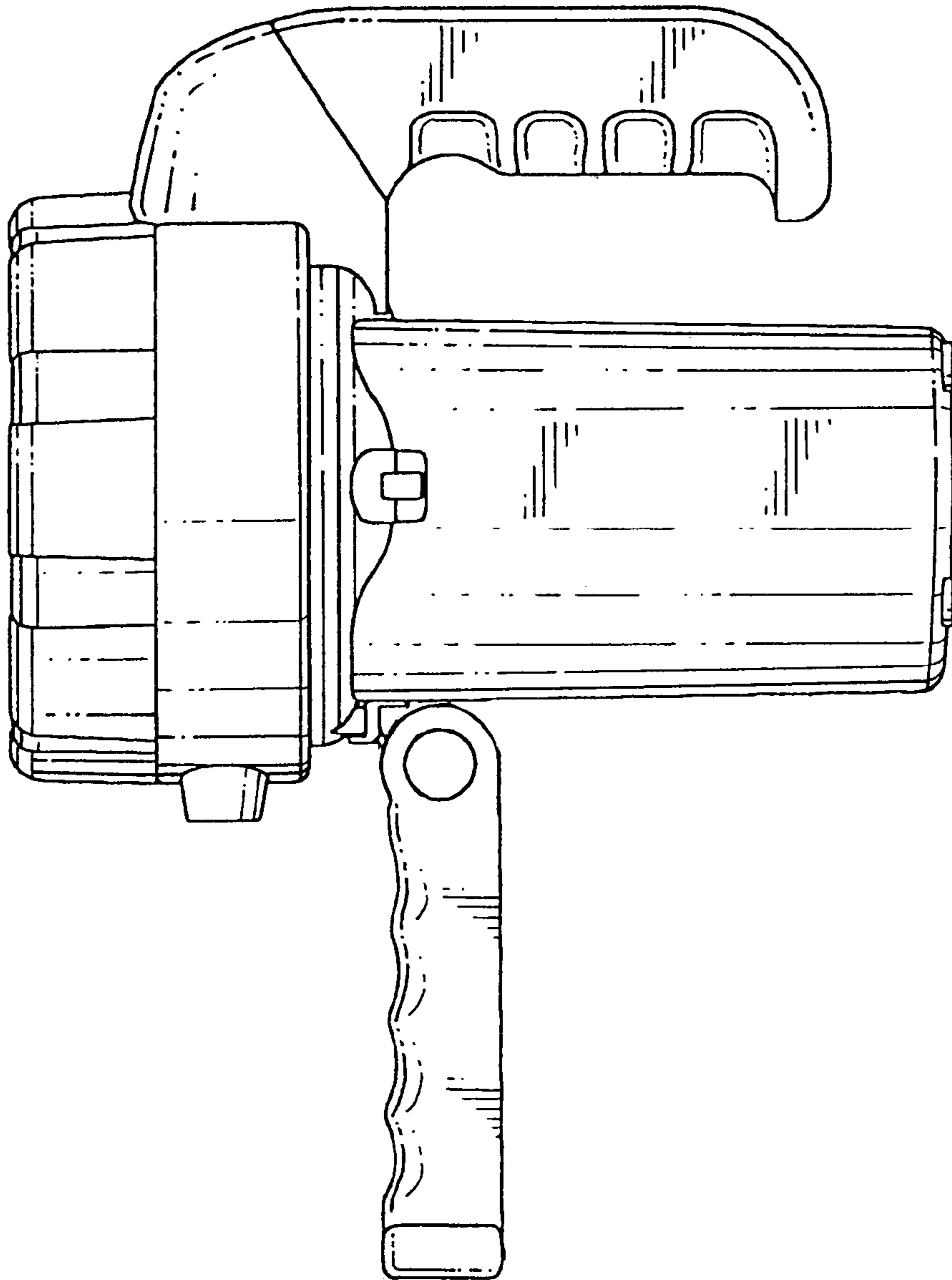


FIG. 7