



US00D485625S

(12) **United States Design Patent**
Egly et al.

(10) **Patent No.:** **US D485,625 S**

(45) **Date of Patent:** **** Jan. 20, 2004**

(54) **HEADLAMP**

D470,257 S * 2/2003 Byggmastar D26/28

(75) Inventors: **David D. Egly**, Columbus, IN (US);
Robert L. King, Seymour, IN (US);
Sanders R. Brott, Seymour, IN (US);
Dirk-Martin Skirha, III, Seymour, IN (US)

* cited by examiner

Primary Examiner—Marcus A. Jackson
(74) *Attorney, Agent, or Firm*—William E. Meyer

(73) Assignee: **Valeo Sylvania L.L.C.**, Seymour, IN (US)

(57) **CLAIM**

(**) Term: **14 Years**

The ornamental design for a headlamp, as shown and described.

(21) Appl. No.: **29/181,203**

DESCRIPTION

(22) Filed: **May 7, 2003**

(51) **LOC (7) Cl.** **26-06**

(52) **U.S. Cl.** **D26/28**

(58) **Field of Search** D26/28-36; 362/61,
362/80, 81, 82, 83, 83.4, 267, 269, 275,
330-340

FIG. 1 is a perspective view of a headlamp illustrating our new design with the broken line showing for illustrative purposes only and forming no part of the claimed design;

FIG. 2 is a side view thereof; both sides, the top and the bottom views being similar; and,

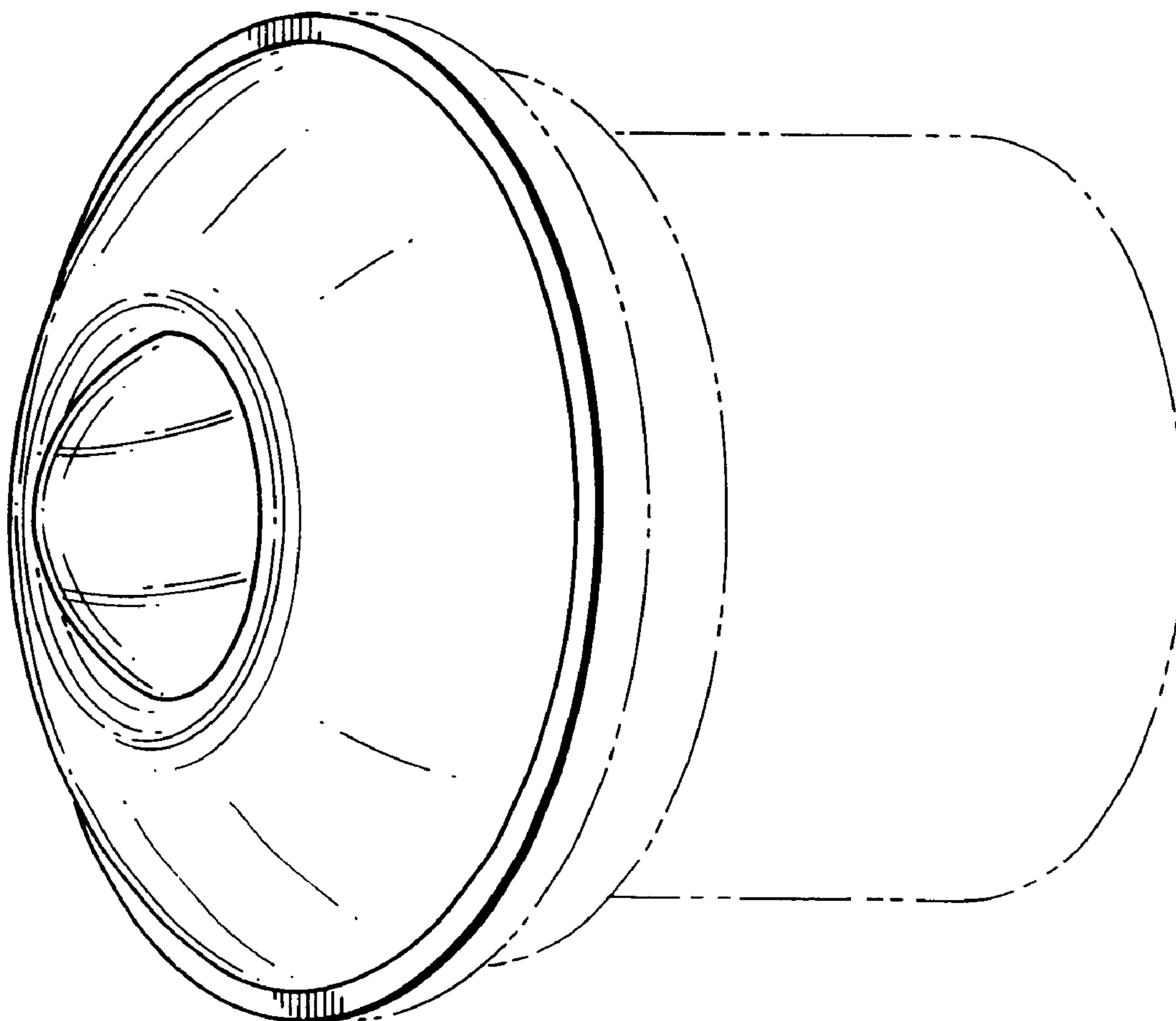
FIG. 3 is a front view thereof.

(56) **References Cited**

U.S. PATENT DOCUMENTS

D469,896 S * 2/2003 Ziaylek, Jr. et al. D26/28

1 Claim, 2 Drawing Sheets



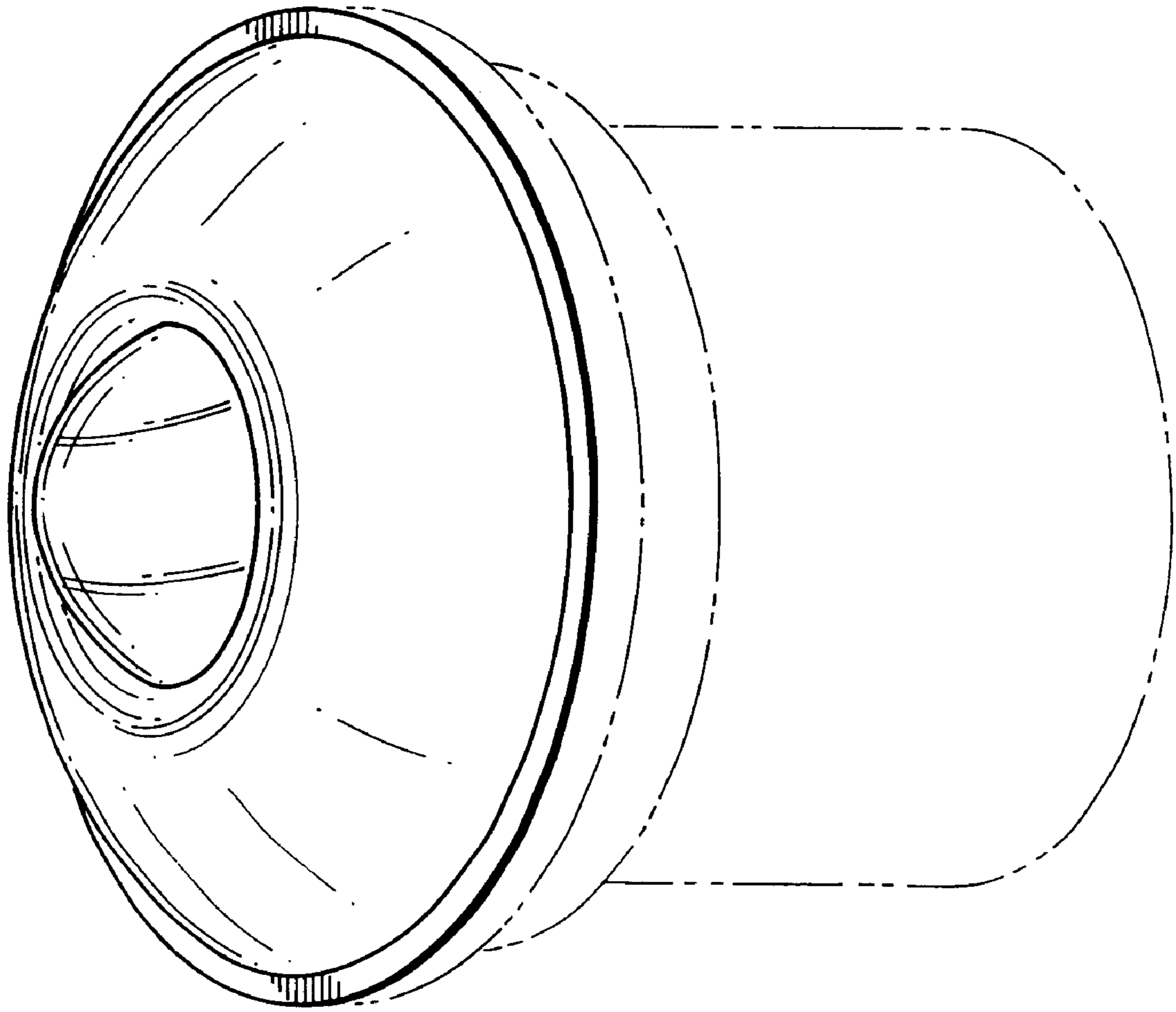


FIG. 1

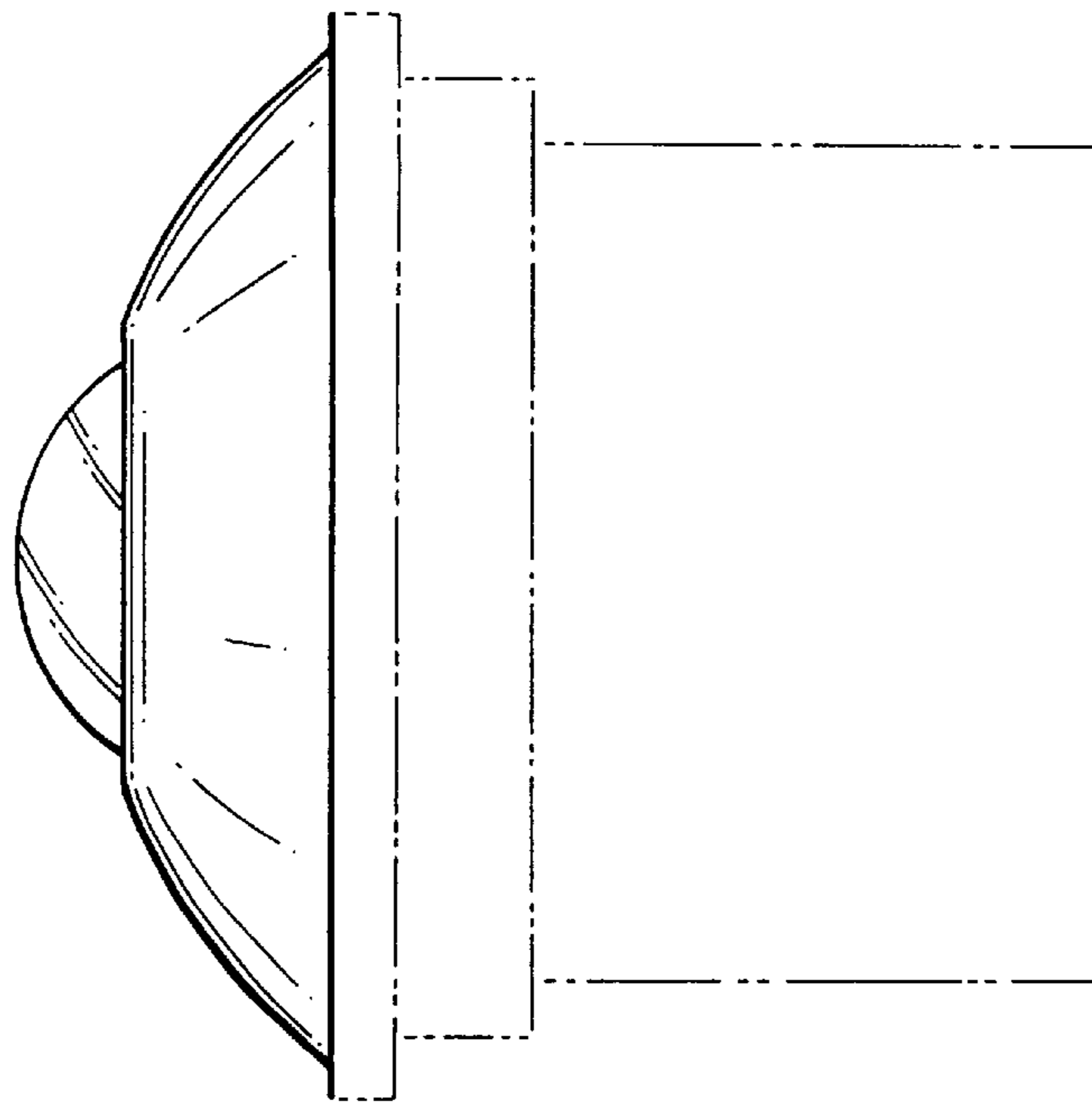


FIG. 2

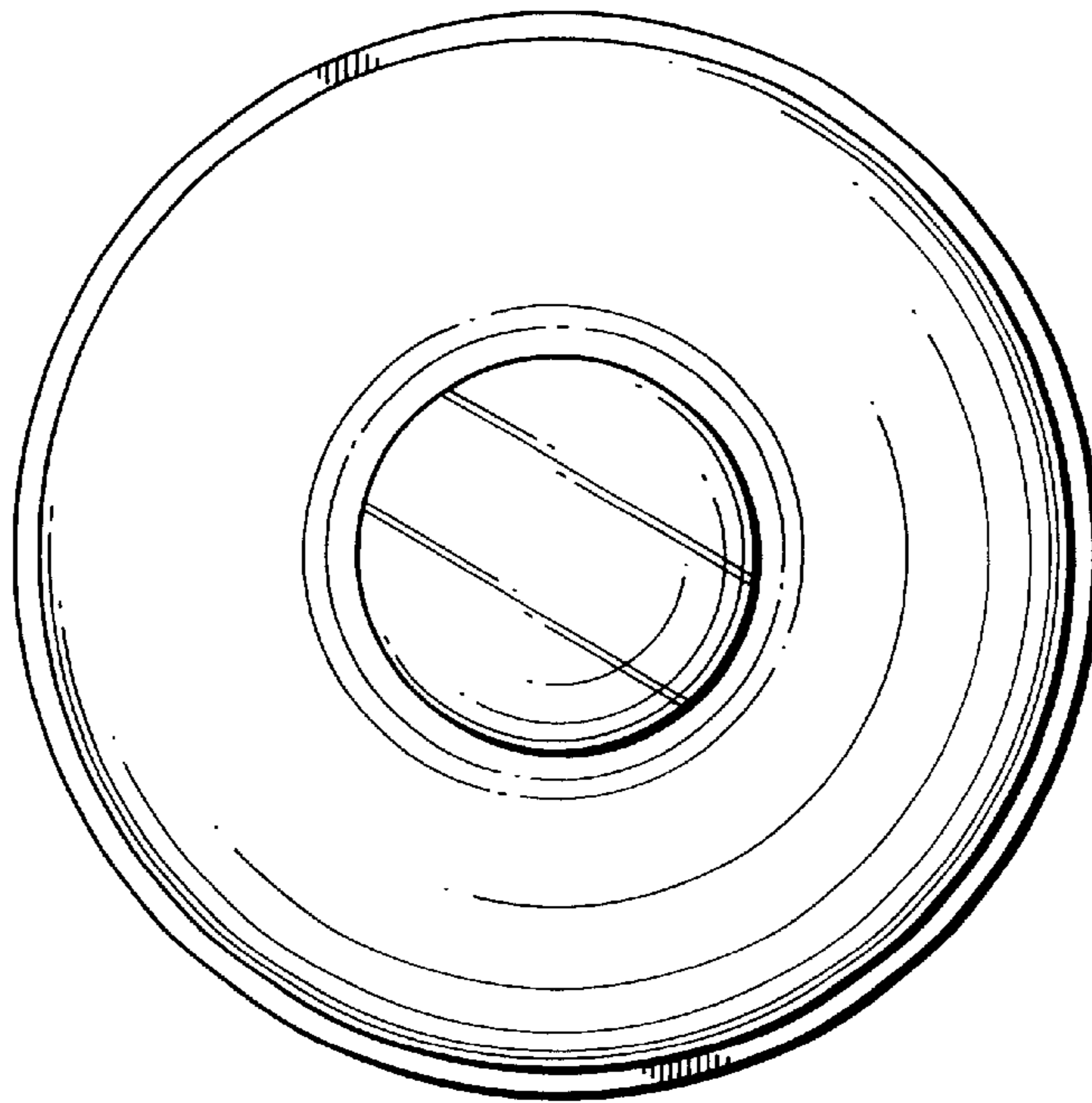


FIG. 3