



US00D485610S

(12) **United States Design Patent**  
**Redetzke**

(10) **Patent No.:** **US D485,610 S**

(45) **Date of Patent:** **\*\* Jan. 20, 2004**

(54) **TEXTURED FAN HOUSING**

(75) Inventor: **Donovan A. Redetzke**, Eau Claire, WI (US)

(73) Assignee: **J & D Sales, Inc. of Eau Claire, Wisconsin**, Eau Claire, WI (US)

(\*\*) Term: **14 Years**

(21) Appl. No.: **29/165,984**

(22) Filed: **Aug. 20, 2002**

**Related U.S. Application Data**

(62) Division of application No. 29/156,116, filed on Feb. 21, 2002.

(51) **LOC (7) Cl.** ..... **23-04**

(52) **U.S. Cl.** ..... **D23/411**

(58) **Field of Search** ..... D23/370, 411;  
416/244 R, 247 R; 5/5, 1, 4; D25/160

(56) **References Cited**

**U.S. PATENT DOCUMENTS**

1,285,045 A	11/1918	Clayton
D88,184 S	11/1932	Wheeler
D88,185 S	11/1932	Wheeler
D223,565 S	5/1972	Rees
D232,095 S	7/1974	Rousy

**OTHER PUBLICATIONS**

“Aluminum Tread Plate”, Metals Depot website print, 3 pages (illustrating “Bright Diamond Tread” products publicly available prior to Feb. 21, 2002).

J & D Manufacturing Typhoon; Form #9 p. #P8; 1 page.  
J & D Manufacturing Wall Master; Form #9 p. #P9; 1 page.

*Primary Examiner*—Lisa Lichtenstein

(74) *Attorney, Agent, or Firm*—Kinney & Lange, P.A.

(57) **CLAIM**

The ornamental design for a textured fan housing, as shown and described.

**DESCRIPTION**

FIG. 1 is a perspective view of a textured fan housing showing my new design;

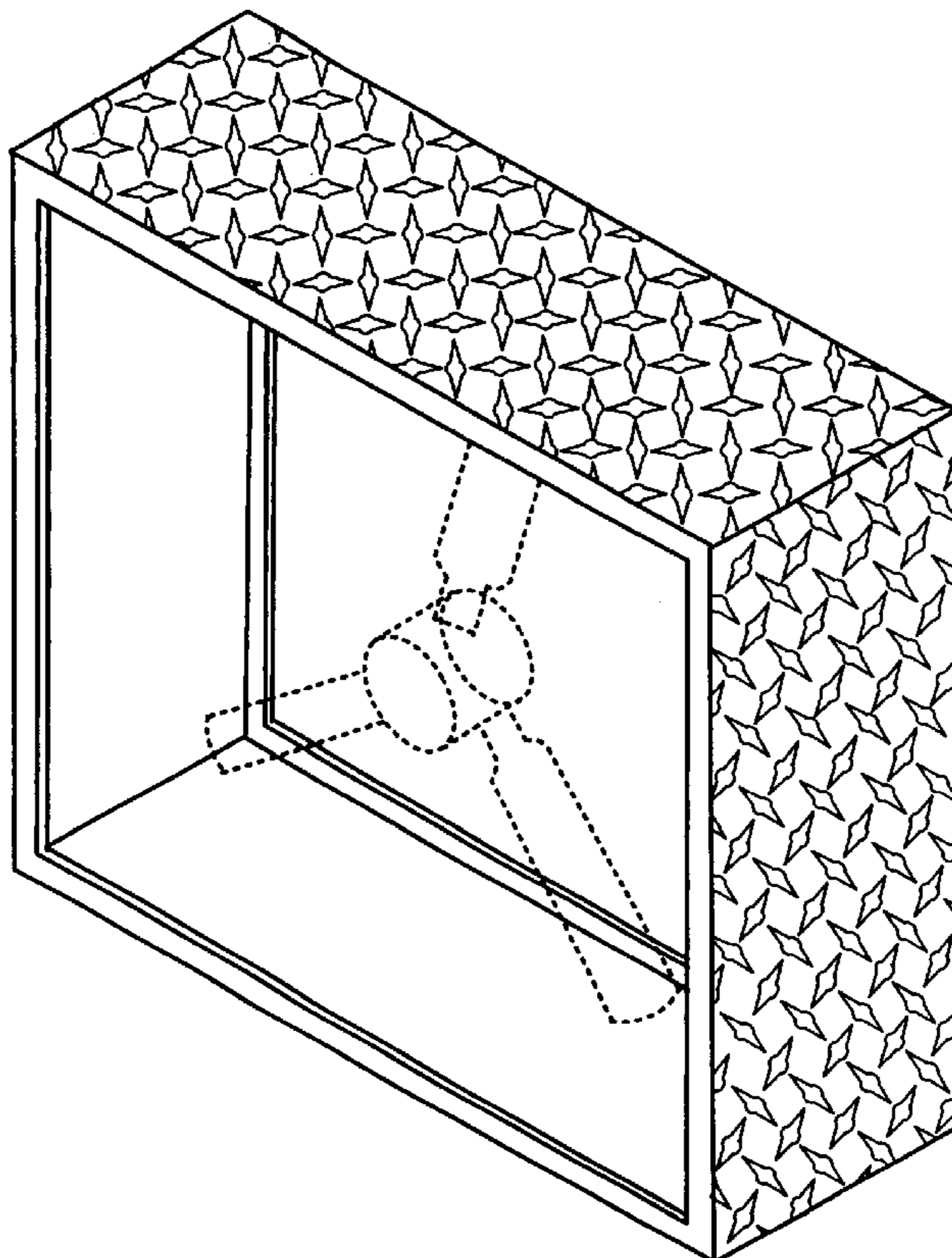
FIG. 2 is a side view thereof (views from the other side, top and bottom thereof are the same);

FIG. 3 is an enlarged plan view of a portion of the surface ornamentation of the textured surface of the fan housing shown in FIGS. 1 and 2; and,

FIG. 4 is a sectional view as taken along line 4—4 of FIG. 3.

The broken line showing of environmental structure in FIG. 1 is for illustrative purposes only and forms no part of the claimed design.

**1 Claim, 2 Drawing Sheets**



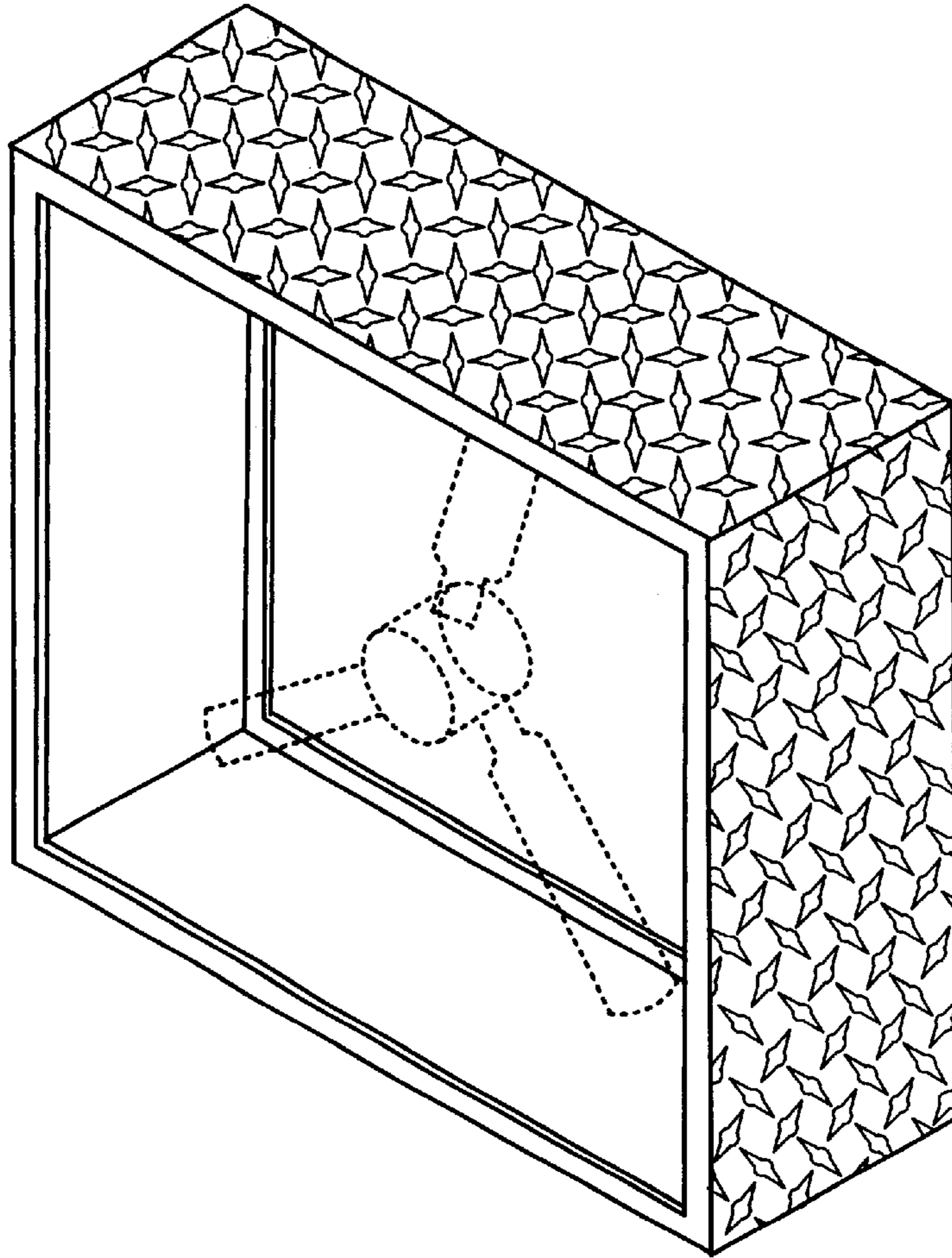


FIG. 1

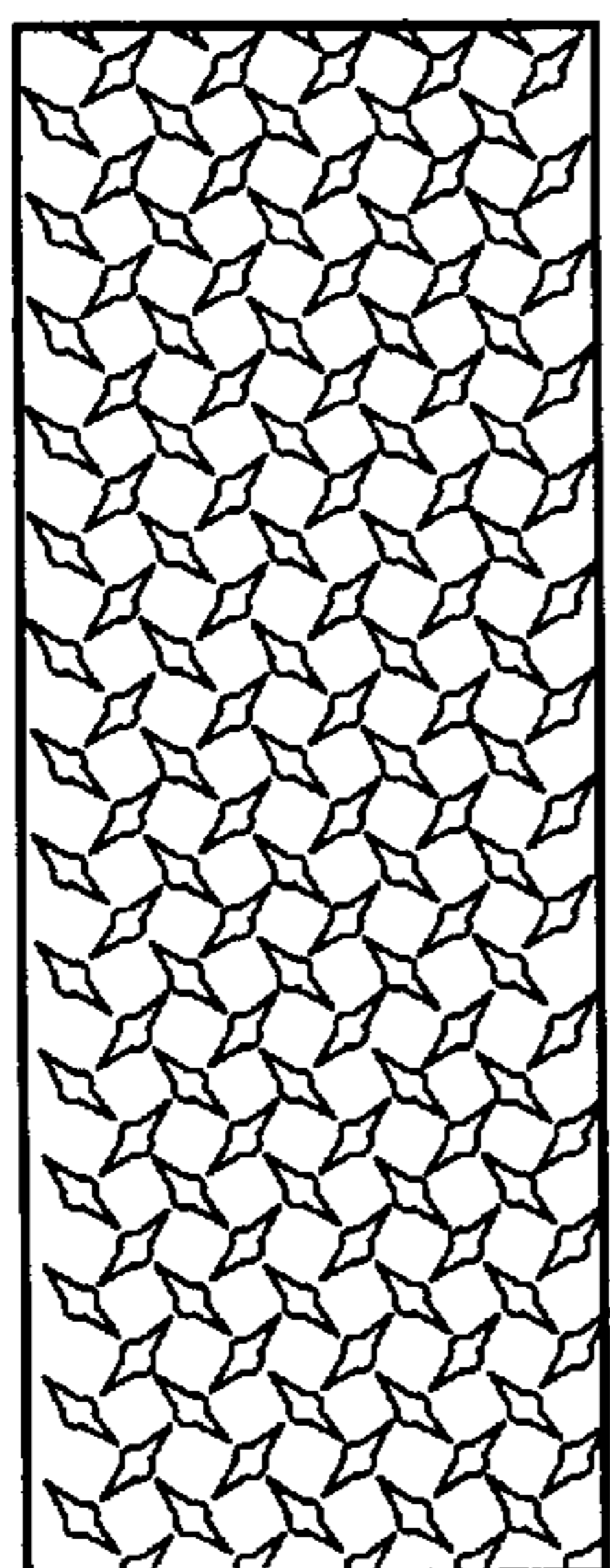


FIG. 2

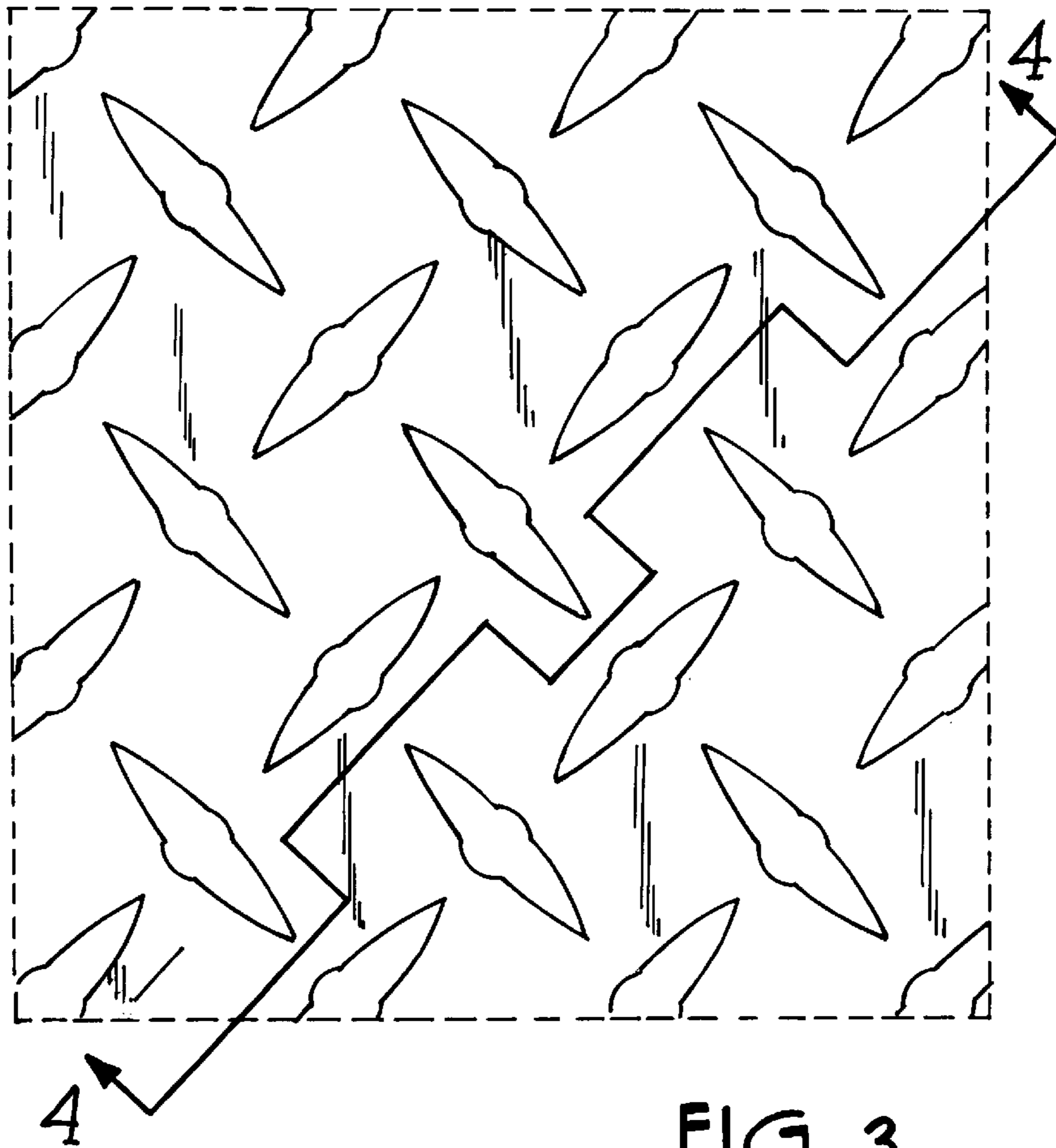


FIG. 3

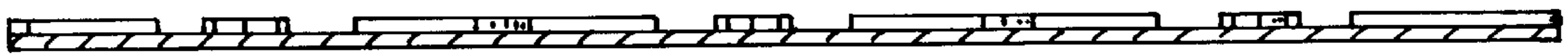


FIG. 4