



US00D485608S

(12) **United States Design Patent**
Chen

(10) **Patent No.:** **US D485,608 S**

(45) **Date of Patent:** **** Jan. 20, 2004**

(54) **MULTI-ROTOR CEILING FAN**

(76) **Inventor:** **Chia-Teh Chen**, P.O. Box 26-757,
Taipei (TW)

(**) **Term:** **14 Years**

(21) **Appl. No.:** **29/159,330**

(22) **Filed:** **Apr. 15, 2002**

(51) **LOC (7) Cl.** **23-04**

(52) **U.S. Cl.** **D23/377**

(58) **Field of Search** D23/411, 377,
D23/379, 385; 416/5; 392/364

(56) **References Cited**

U.S. PATENT DOCUMENTS

D426,630 S * 6/2000 Gajewski D23/377

D427,672 S * 7/2000 Lee D23/377

D434,844 S * 12/2000 Williams D23/377

* cited by examiner

Primary Examiner—Lisa Lichtenstein

(74) *Attorney, Agent, or Firm*—Rosenberg, Klein & Lee

(57) **CLAIM**

The ornamental design for a “multi-rotor ceiling fan”, as shown and described.

DESCRIPTION

FIG. 1 is the perspective view of a “multi-rotor ceiling fan” showing my new design;

FIG. 2 is the front view thereof;

FIG. 3 is the rear view thereof;

FIG. 4 is the left side view thereof;

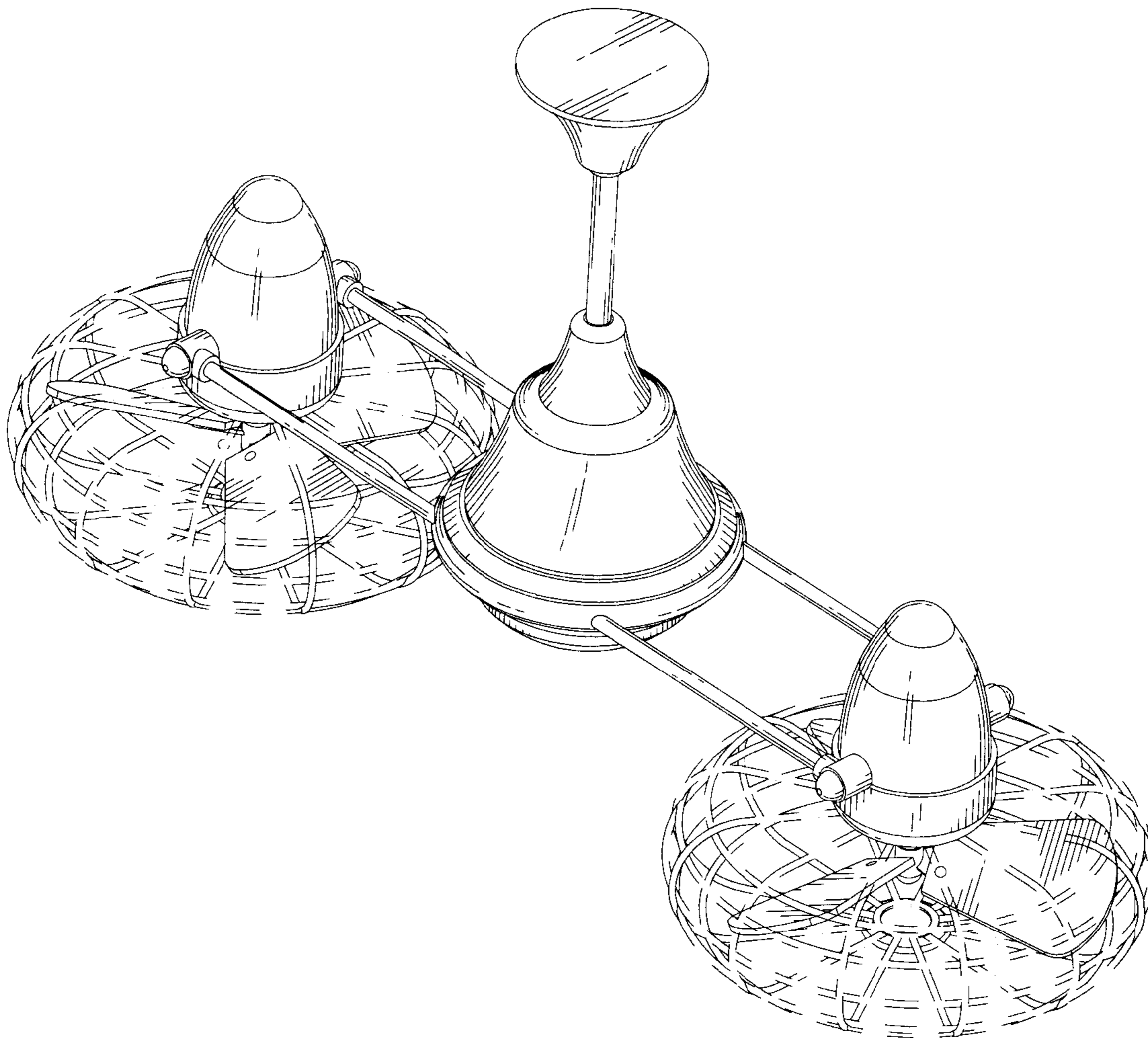
FIG. 5 is the right side view thereof;

FIG. 6 is the top view thereof; and,

FIG. 7 is the bottom view thereof.

The broken line showing of environmental structure in FIGS. 1–7 is for illustrative purposes only and forms no part of the claimed design.

1 Claim, 5 Drawing Sheets



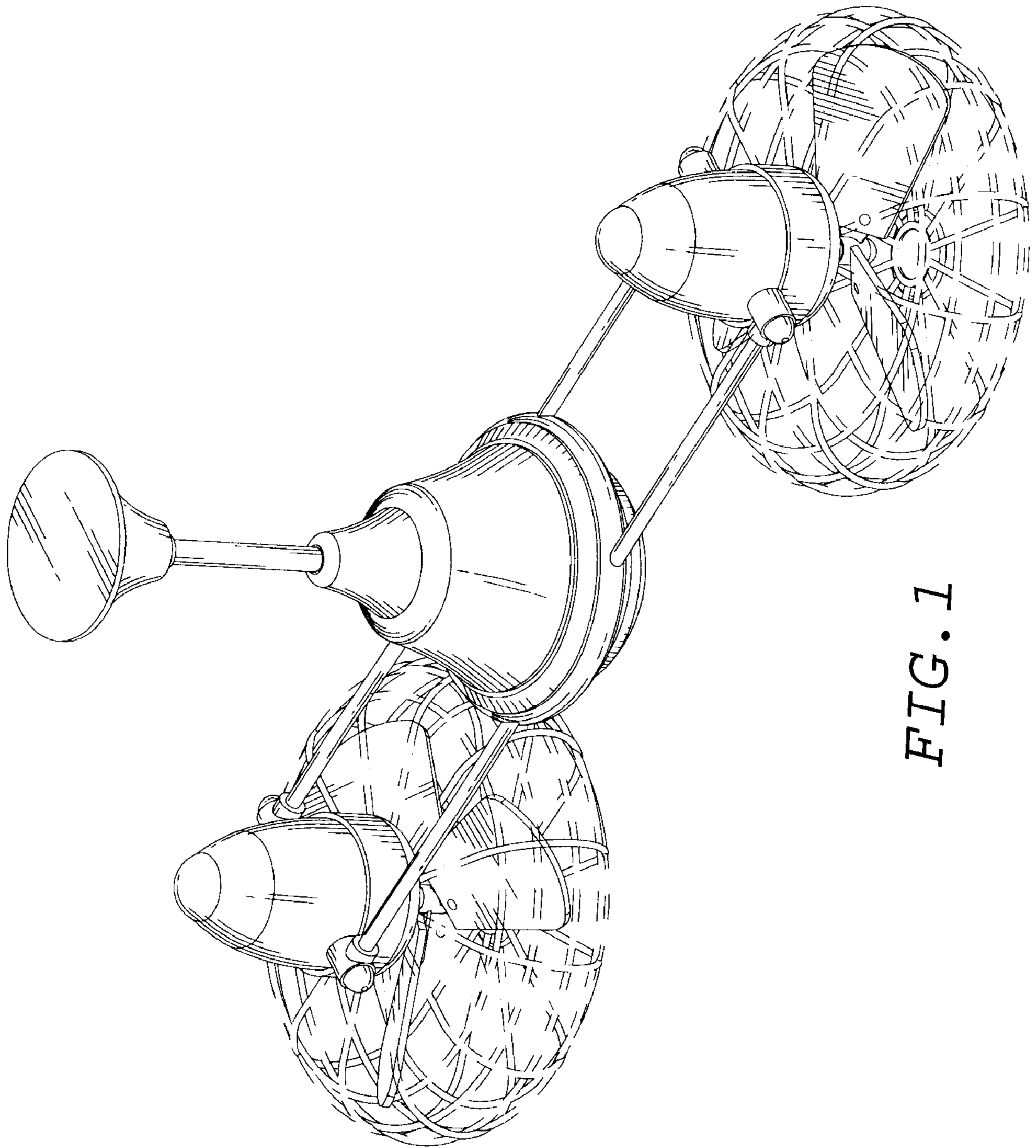


FIG. 1

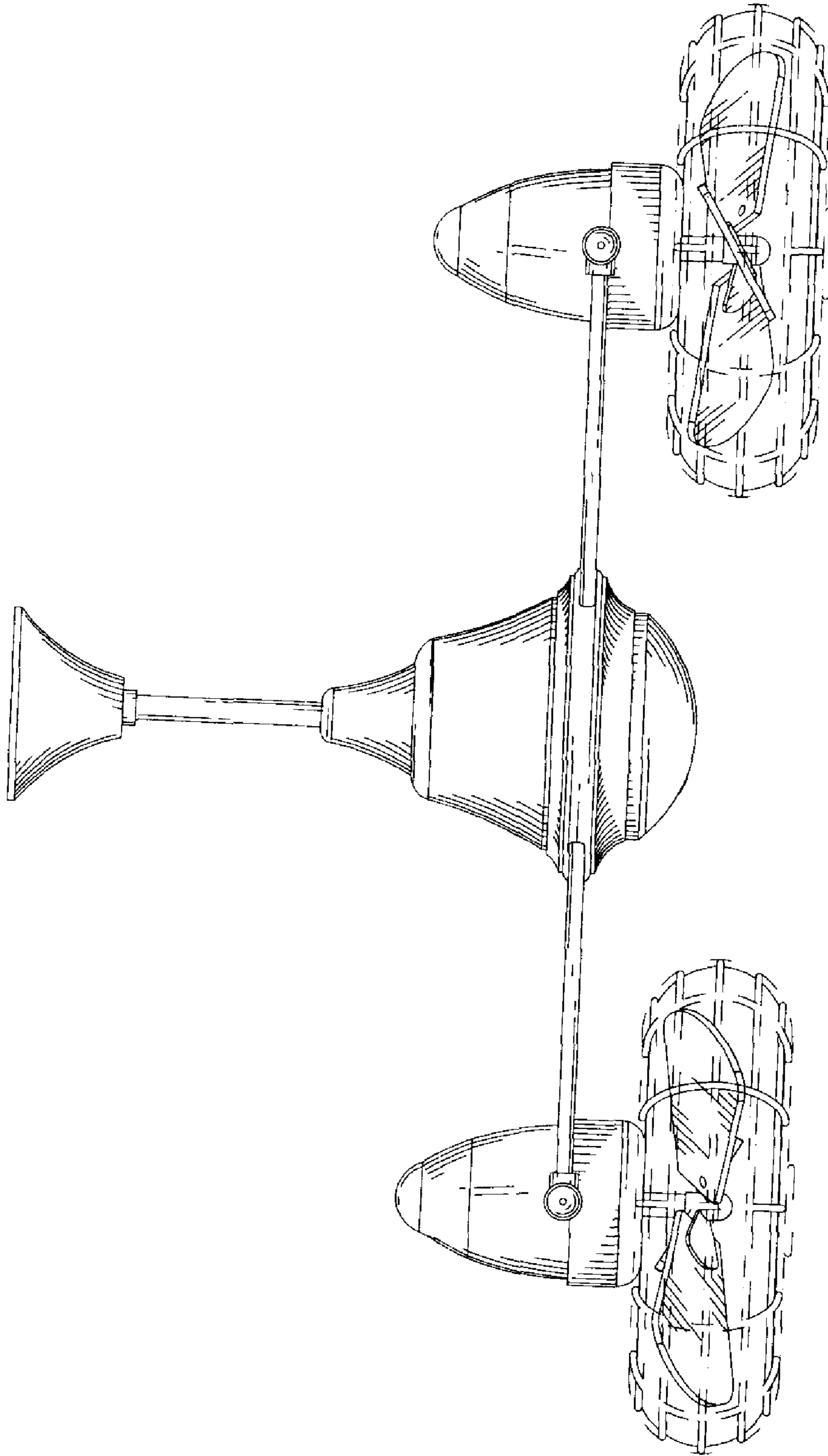


FIG. 2

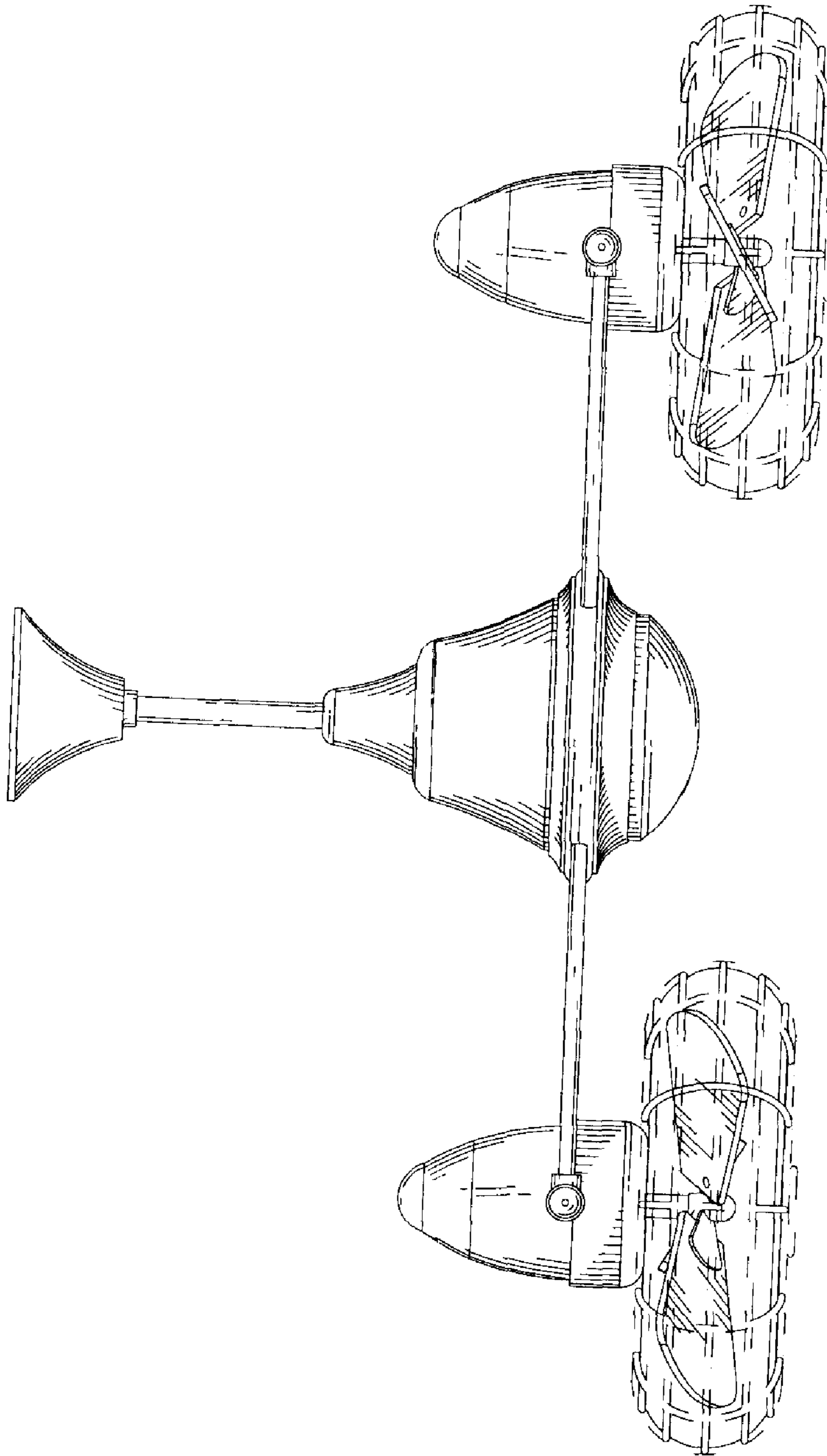


FIG. 3

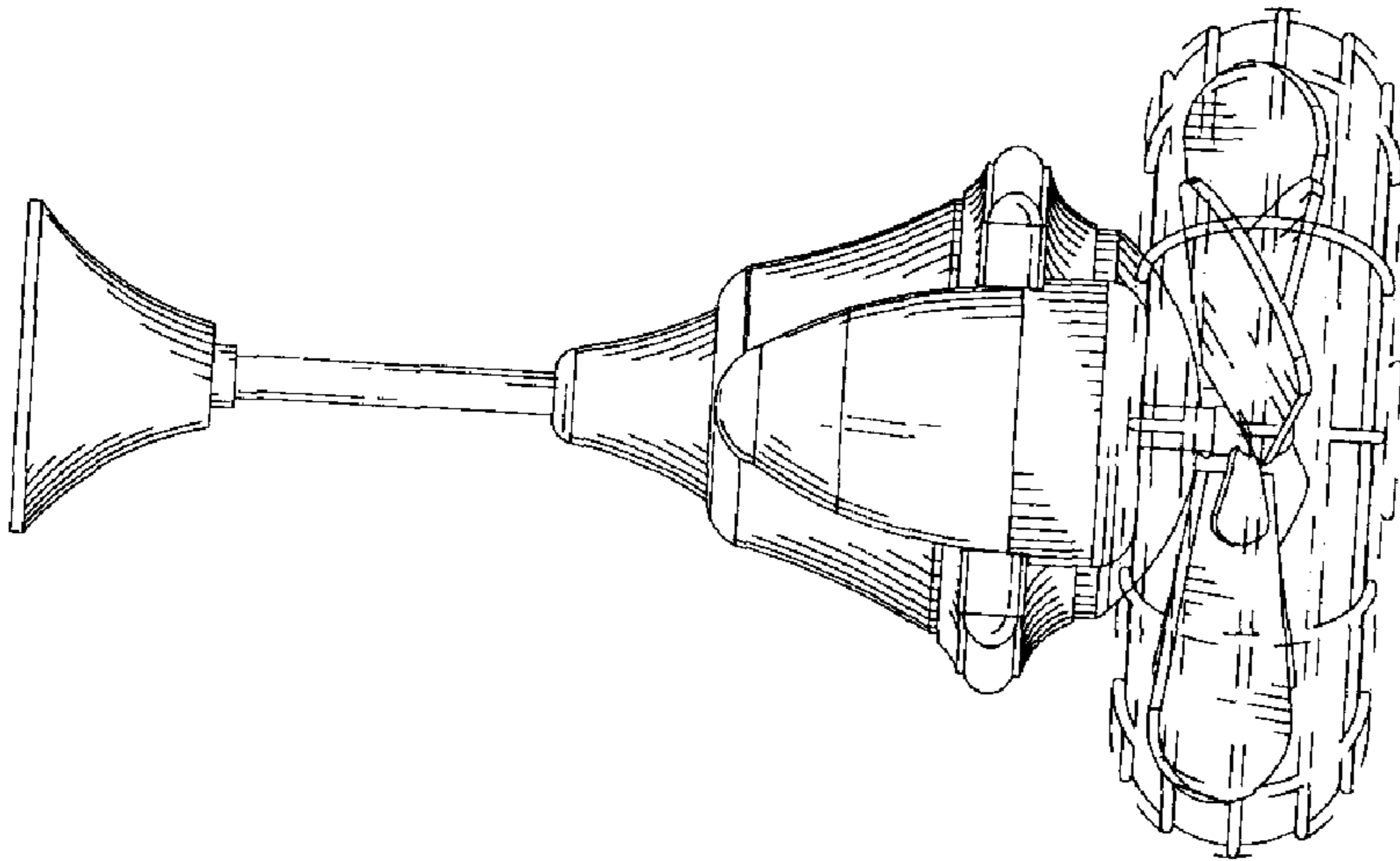


FIG. 4

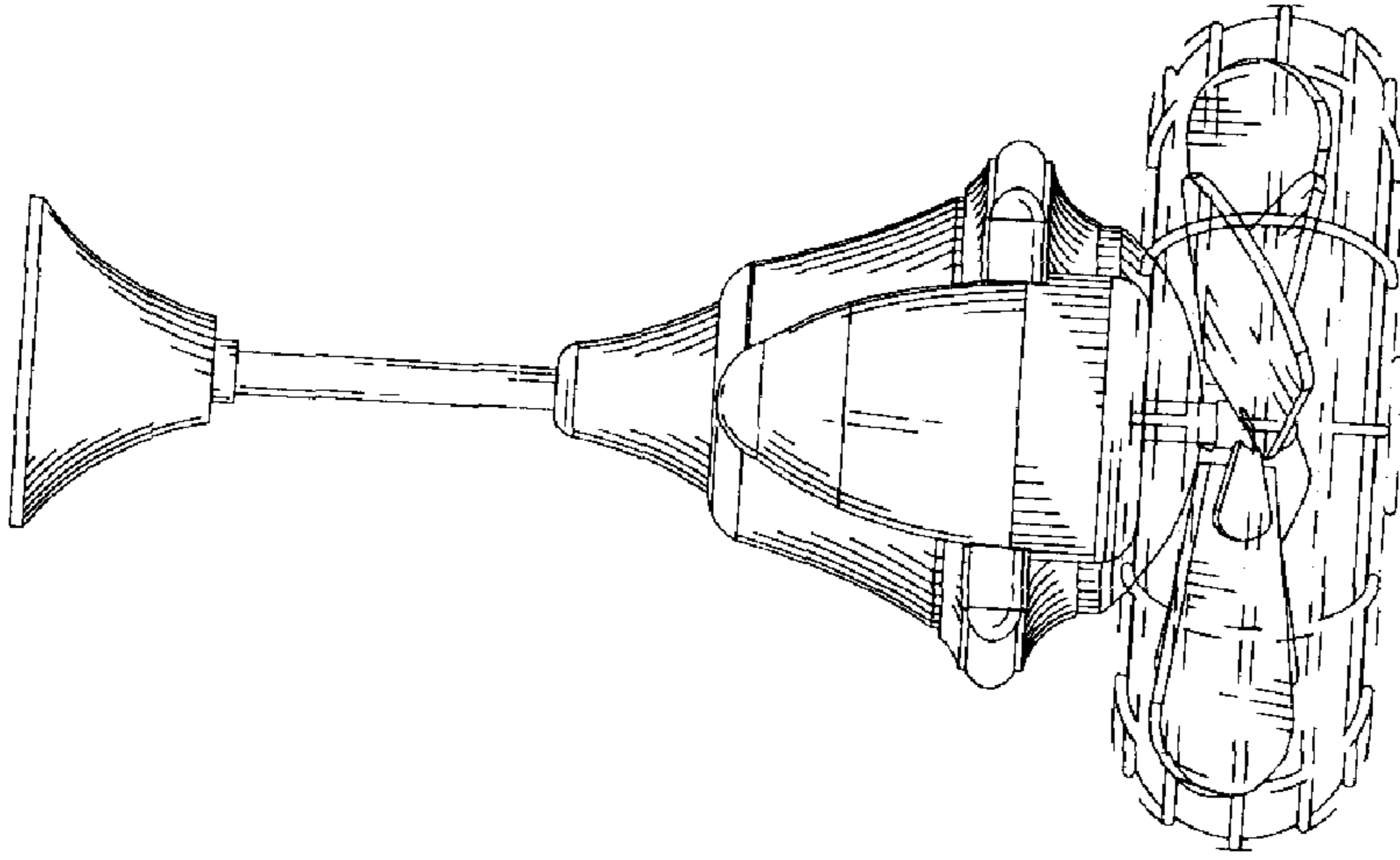


FIG. 5

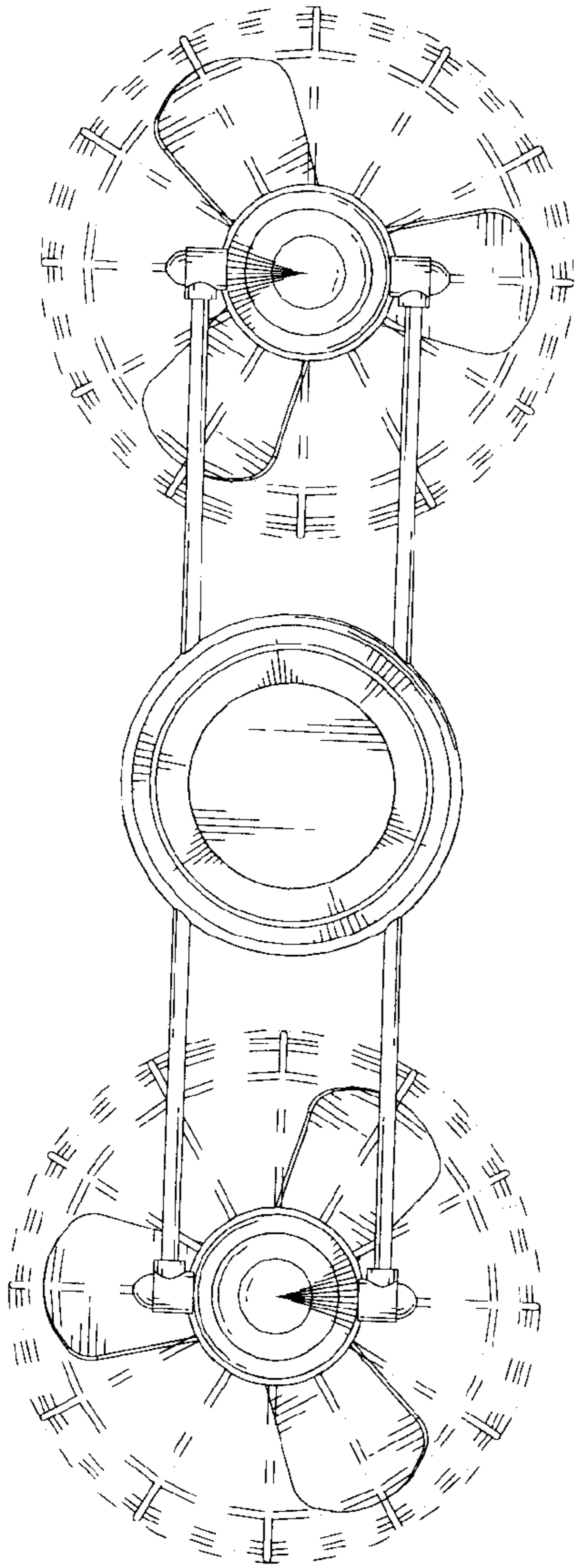


FIG. 6

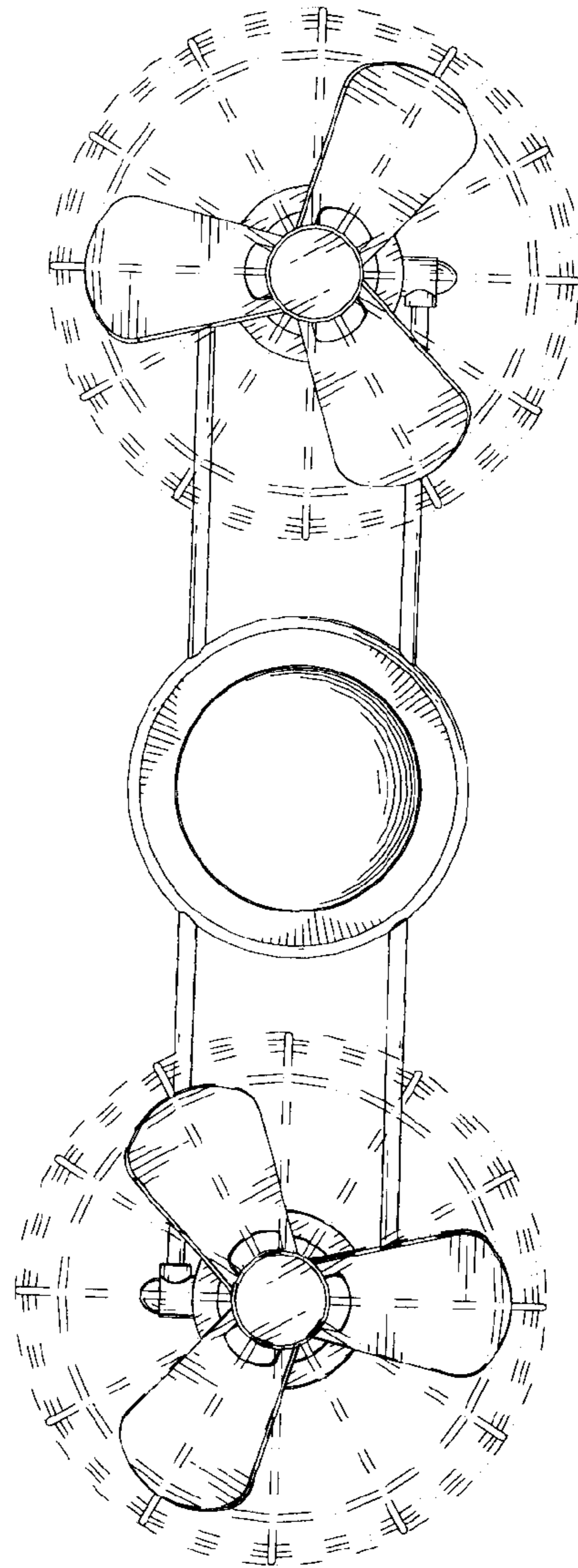


FIG. 7