



US00D485607S

(12) **United States Design Patent**  
**Wu**

(10) **Patent No.:** **US D485,607 S**

(45) **Date of Patent:** **\*\* Jan. 20, 2004**

(54) **AIR FRESHENER**

(74) *Attorney, Agent, or Firm*—Ira S. Dorman

(75) **Inventor:** **Henry Wu, Shin-Tien (TW)**

(57) **CLAIM**

(73) **Assignee:** **Aromate Industries Co., LTD (TW)**

The ornamental design for an air freshener, as shown and described.

(\*\*) **Term:** **14 Years**

**DESCRIPTION**

(21) **Appl. No.:** **29/177,006**

FIG. 1 is a perspective view of an air freshener showing my new design;

(22) **Filed:** **Mar. 3, 2003**

FIG. 2 is a top plan view of the air freshener;

(51) **LOC (7) Cl.** ..... **23-04**

FIG. 3 is a bottom view of the air freshener;

(52) **U.S. Cl.** ..... **D23/366**

FIG. 4 is a left side view of the air freshener;

(58) **Field of Search** ..... **D23/366-369,**

**D23/355, 364; 261/DIG. 65; 239/53-60,**  
**34; 422/120**

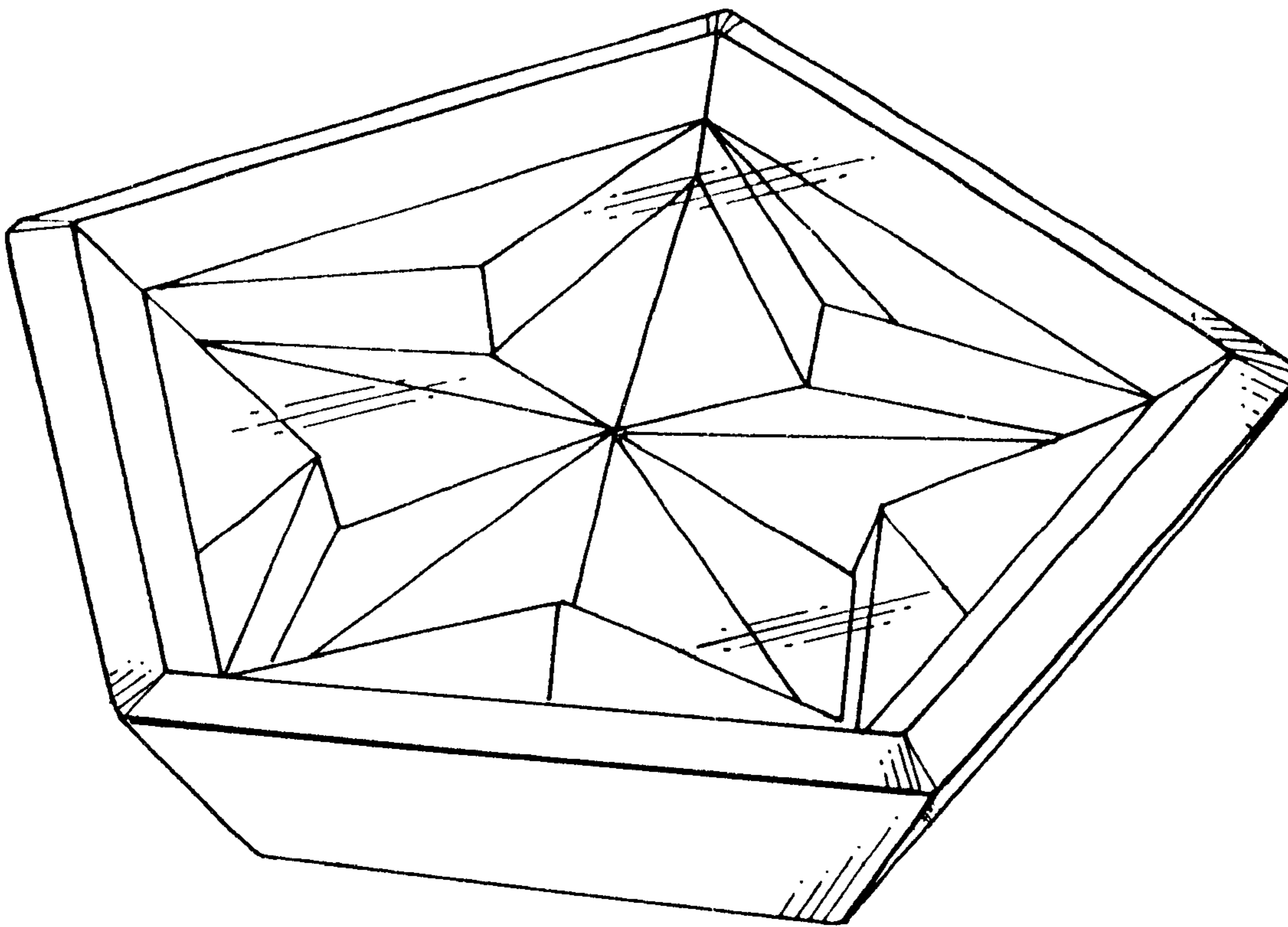
FIG. 5 is a right side view of the air freshener;

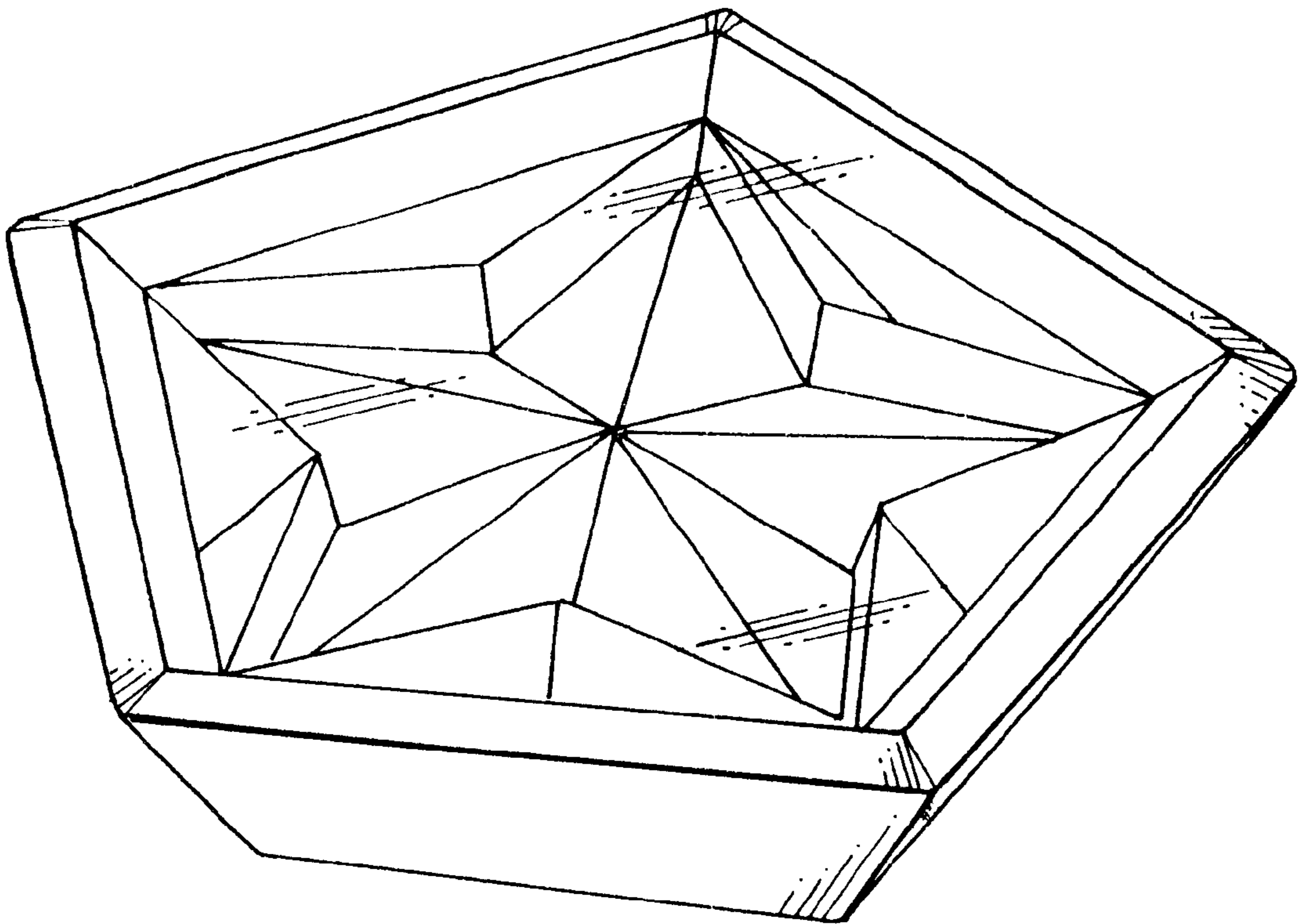
FIG. 6 is an end view of the air freshener; and,

FIG. 7 is an opposite end view of the air freshener.

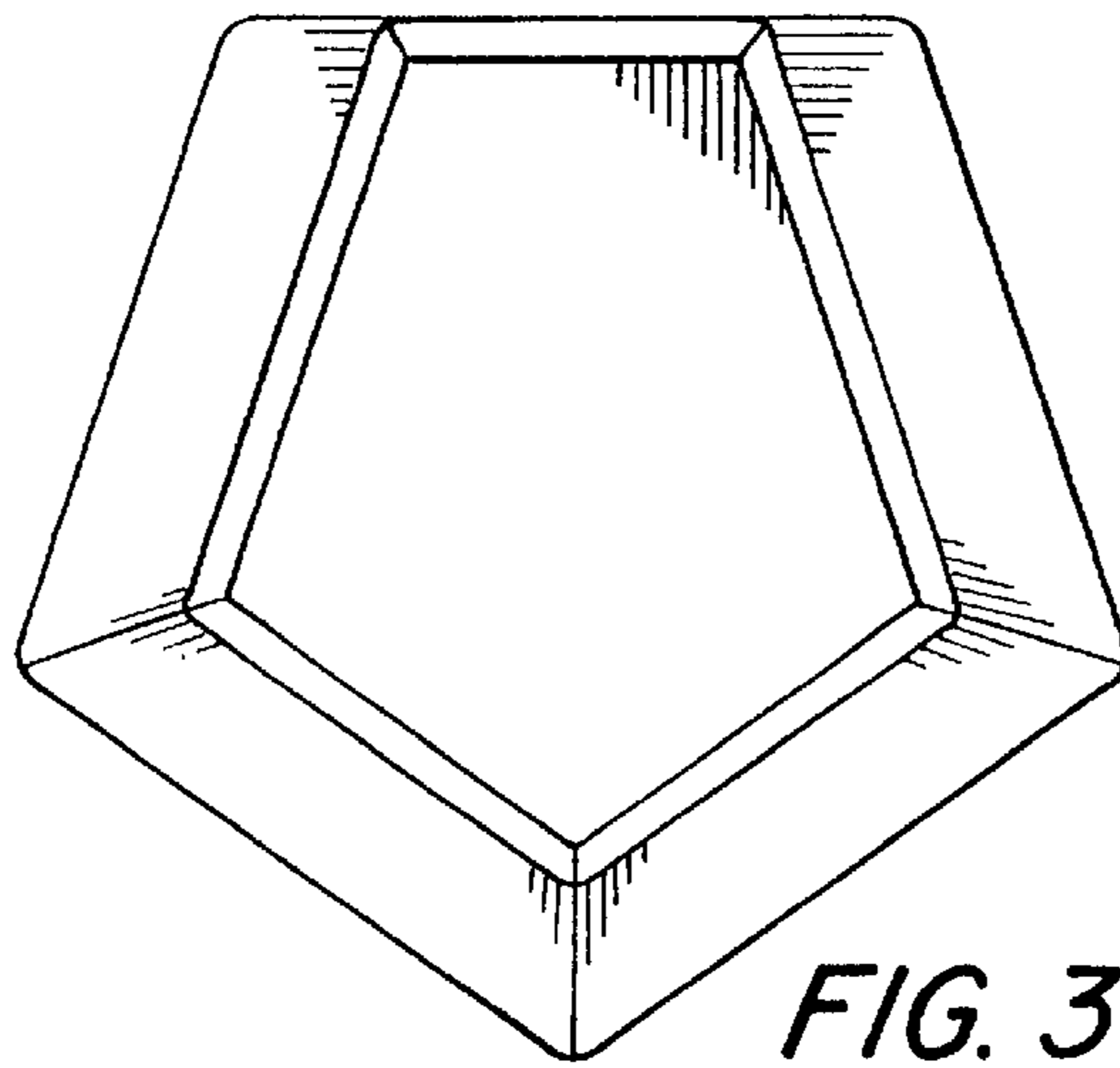
*Primary Examiner*—Lisa Lichtenstein

**1 Claim, 2 Drawing Sheets**





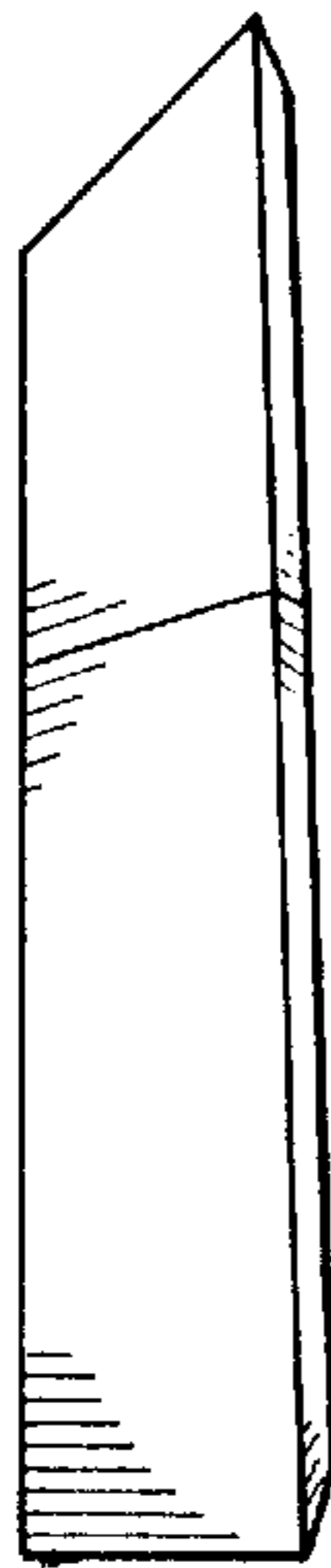
*FIG. 1*



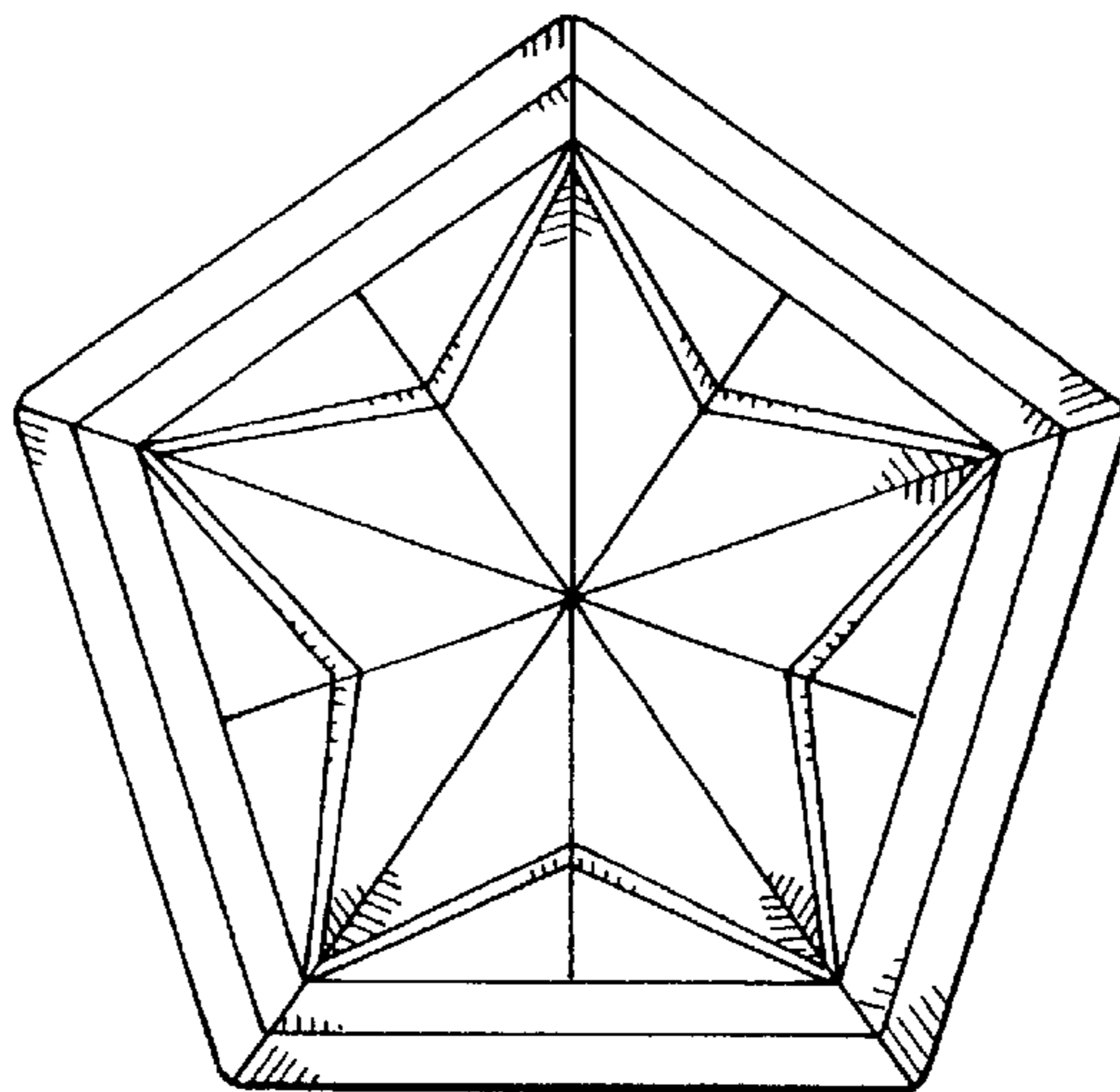
*FIG. 3*



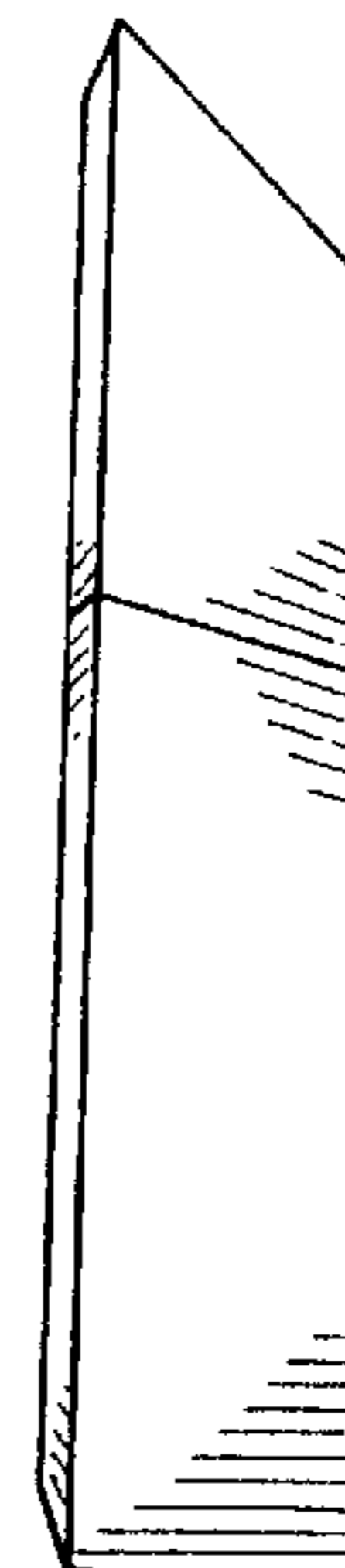
*FIG. 6*



*FIG. 4*



*FIG. 2*



*FIG. 5*



*FIG. 7*