



US00D485604S

(12) **United States Design Patent**
Good et al.

(10) **Patent No.:** **US D485,604 S**

(45) **Date of Patent:** **** Jan. 20, 2004**

(54) **FLUSH TOILET**

(75) **Inventors:** **Mark D. Good**, Loves Park, IL (US);
Daniel J. Delaney, Pinckney, MI (US);
John R. Selina, Brighton, MI (US)

(73) **Assignee:** **Thetford Corporation**, Ann Arbor, MI (US)

(**) **Term:** **14 Years**

(21) **Appl. No.:** **29/171,812**

(22) **Filed:** **Nov. 30, 2002**

(51) **LOC (7) Cl.** **23-02**

(52) **U.S. Cl.** **D23/295**

(58) **Field of Search** D23/273-274,
D23/295-301, 303, 309, 311-313; 4/611,
667, 300, 328-329, 347, 348, 332, 353,
420, 440, 443-446, 449, 460, 217, 234,
237, 242.1, 902

(56) **References Cited**

U.S. PATENT DOCUMENTS

3,883,903 A * 5/1975 Broek et al. 4/440
3,932,901 A * 1/1976 Inui et al. 4/332

4,710,988 A * 12/1987 Stewart 4/440 X
5,060,320 A 10/1991 Sargent et al. 4/438
D347,496 S * 5/1994 Wei D23/301
D438,941 S 3/2001 Selina et al. D23/299

* cited by examiner

Primary Examiner—Louis S. Zarfes

Assistant Examiner—Robert A. Delehanty

(74) *Attorney, Agent, or Firm*—Harness, Dickey & Pierce, P.L.C.

(57) **CLAIM**

The ornamental design for a flush toilet, as shown and described.

DESCRIPTION

FIG. 1 is a front and side perspective of a flush toilet showing our new design;

FIG. 2 is a front elevation view thereof;

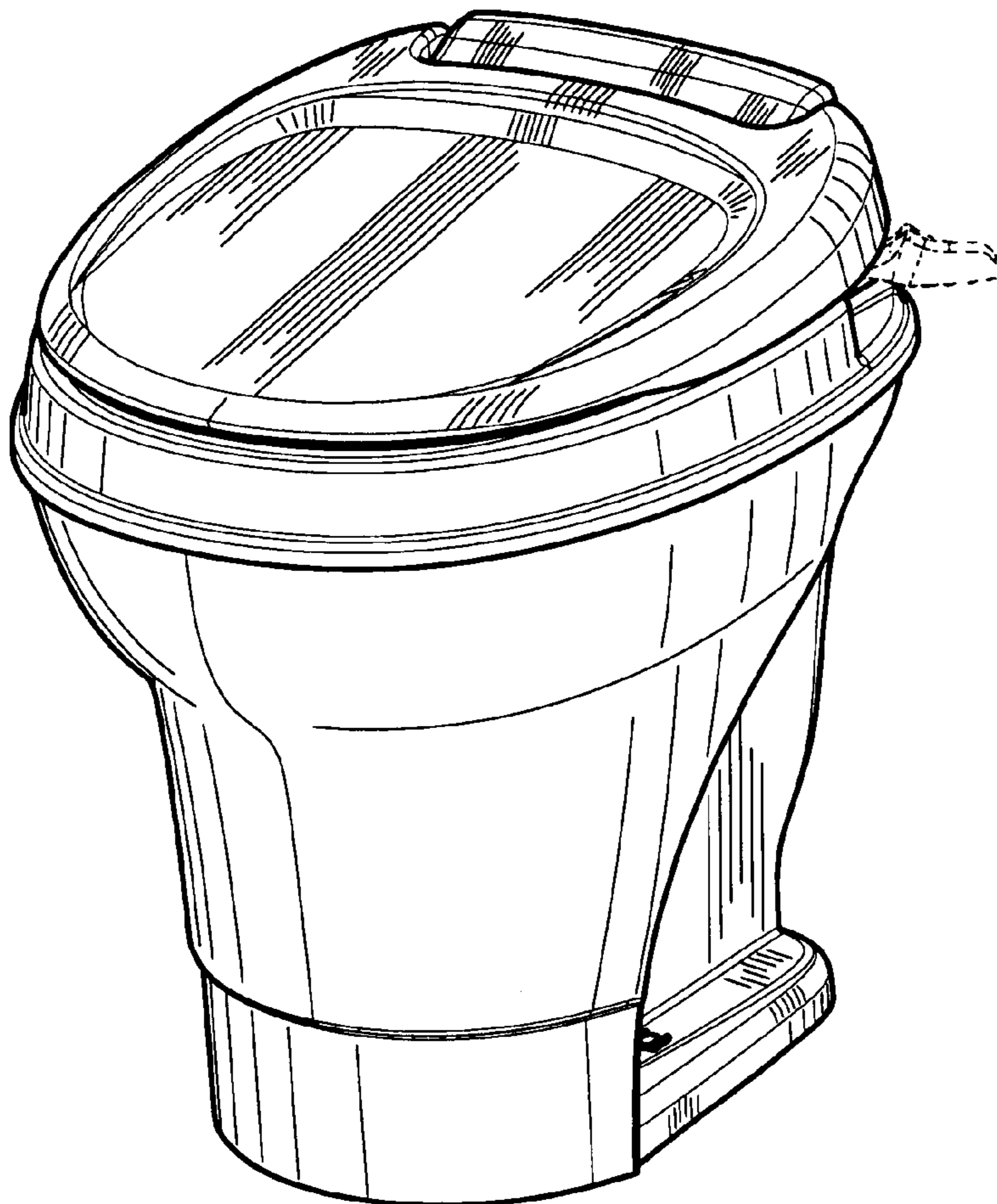
FIG. 3 is a right side elevation view thereof;

FIG. 4 is a left side elevation view thereof; and,

FIG. 5 is a top plan view thereof.

The broken line showing of portions of the flush toilet is for illustrative purposes only and forms no part of the claimed design.

1 Claim, 3 Drawing Sheets



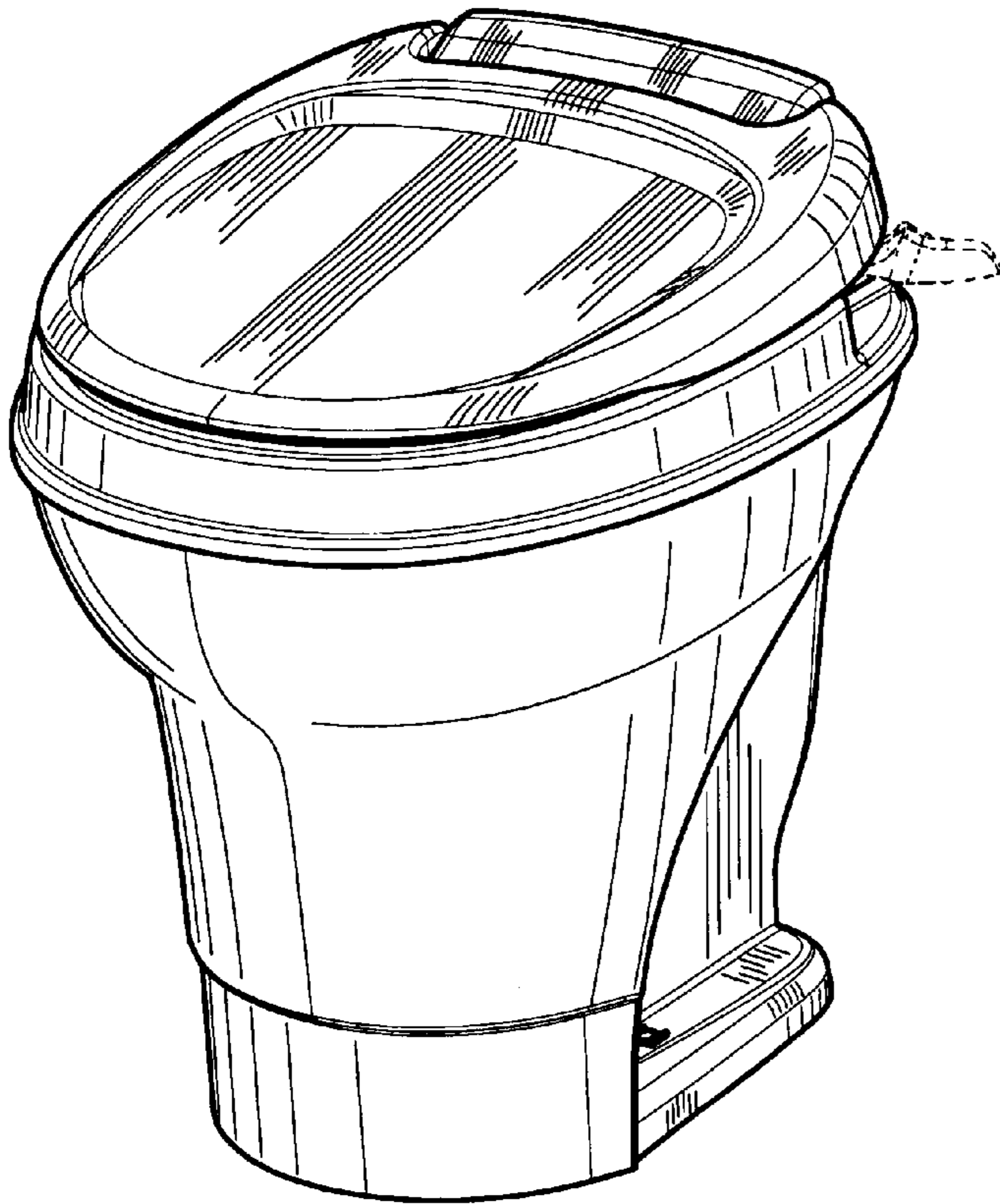


FIG - 1

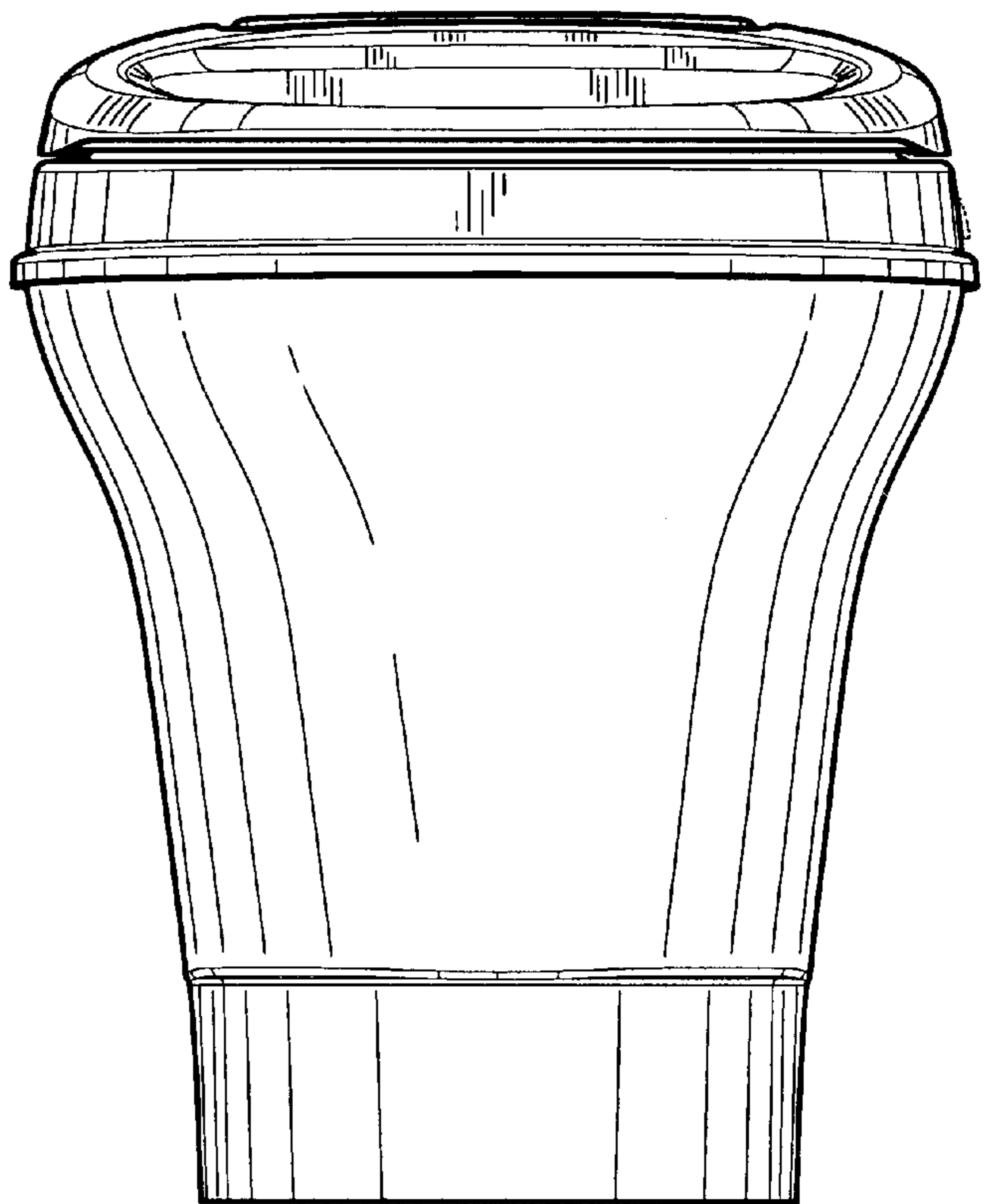


FIG - 2

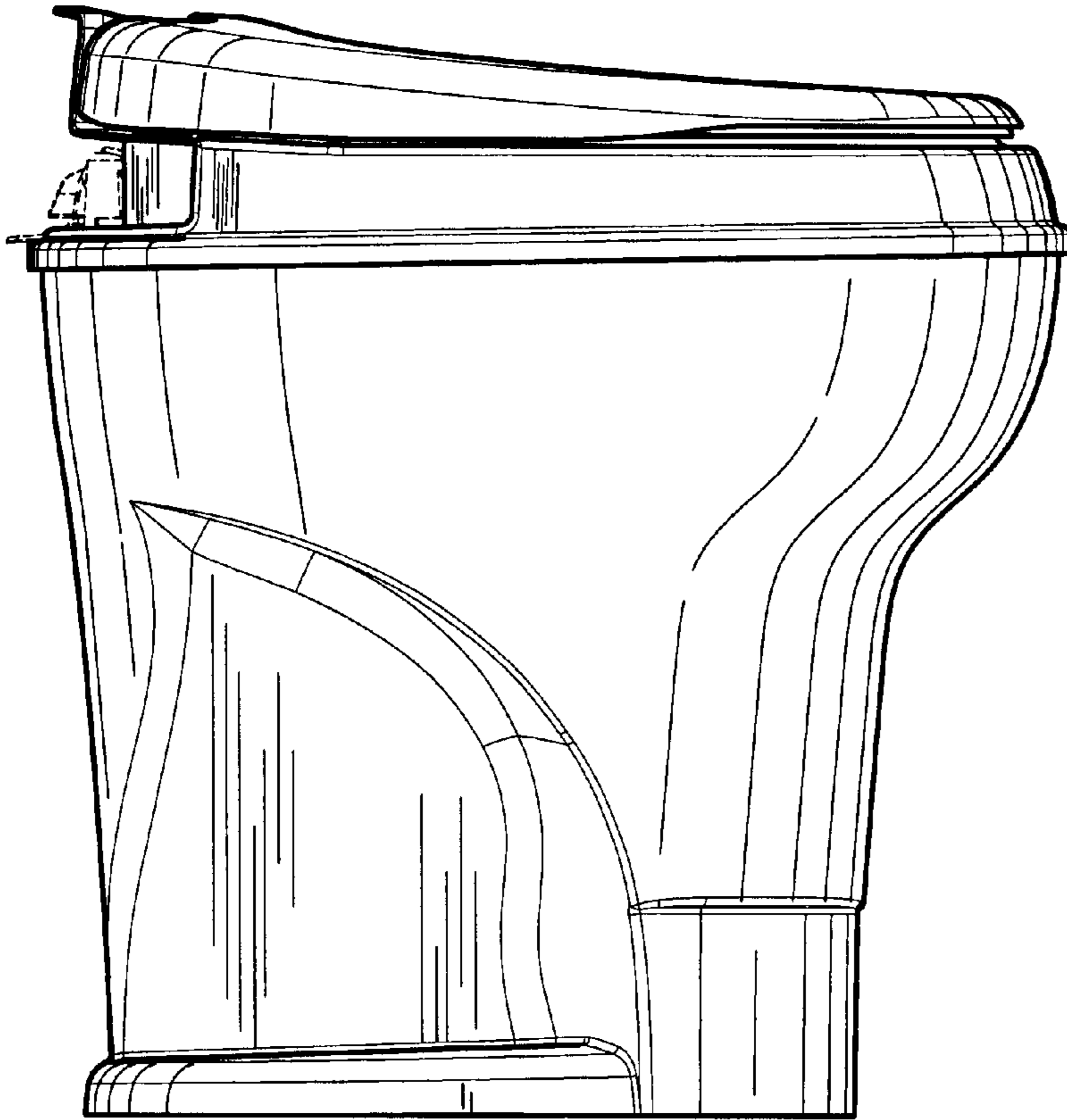


FIG - 3

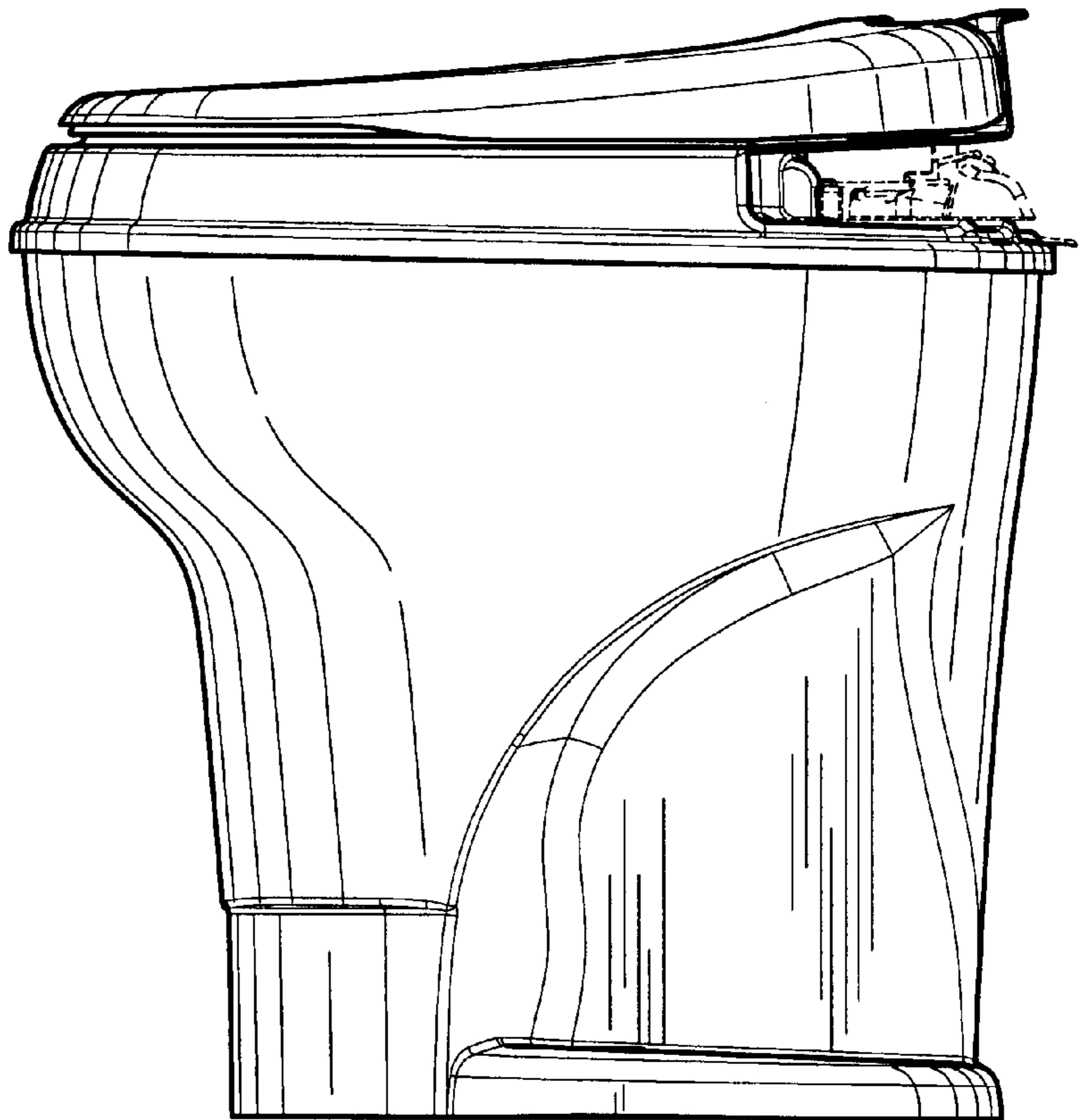


FIG - 4

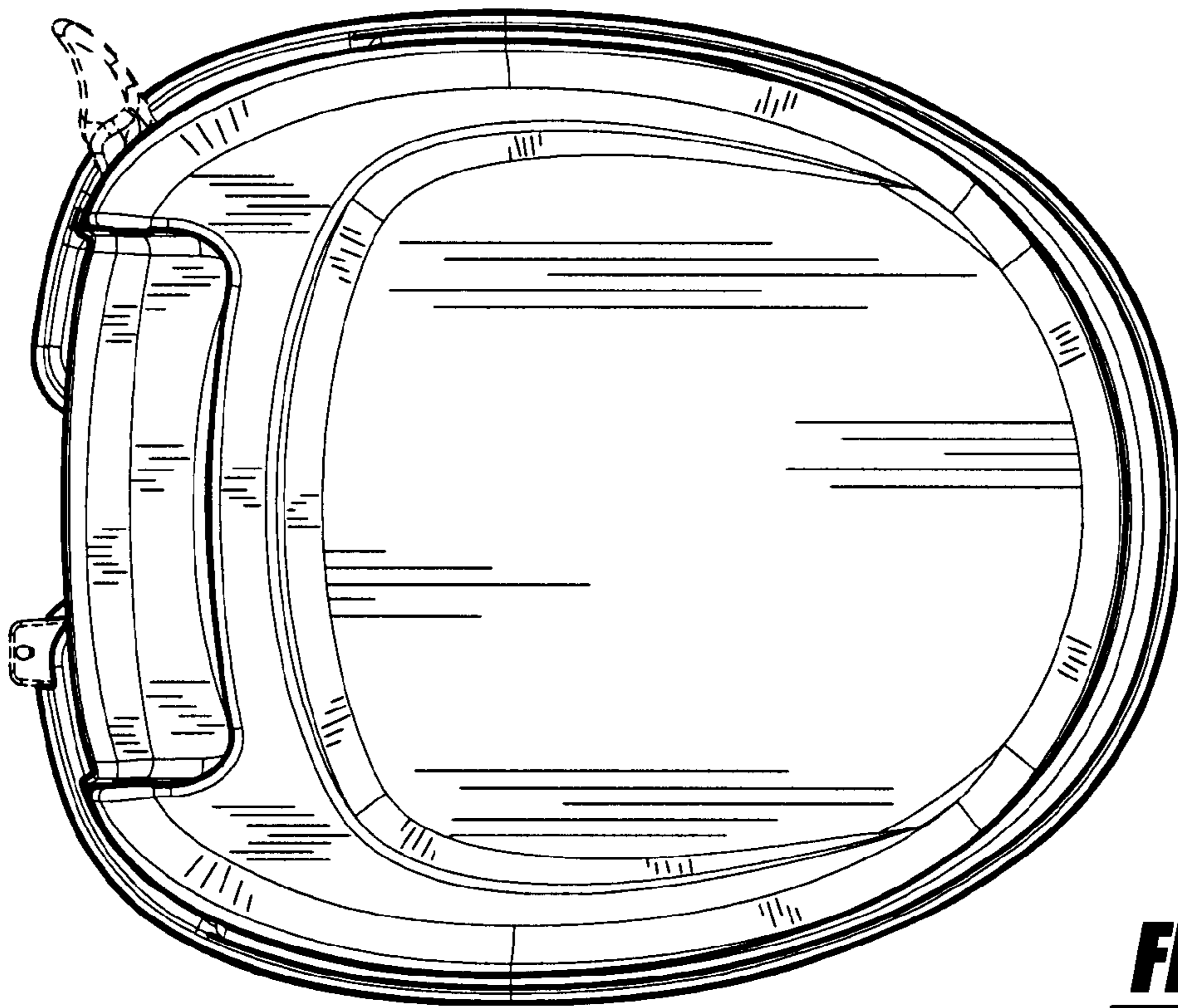


FIG - 5