



US00D485603S

(12) **United States Design Patent**  
**Lyons**

(10) **Patent No.:** **US D485,603 S**

(45) **Date of Patent:** **\*\* Jan. 20, 2004**

(54) **BATHTUB**

(75) **Inventor:** **Donald D. Lyons**, Dowagiac, MI (US)

(73) **Assignee:** **Lyons Industries, Inc.**, Dowagiac, MI (US)

(\*\*) **Term:** **14 Years**

(21) **Appl. No.:** **29/160,285**

(22) **Filed:** **May 8, 2002**

(51) **LOC (7) Cl.** ..... **23-02**

(52) **U.S. Cl.** ..... **D23/277**

(58) **Field of Search** ..... D23/273, 276-277,  
D23/280.1, 280.2, 280.3, 303-306; 4/538,  
546, 575.1, 661; D24/202-205

(56) **References Cited**

**U.S. PATENT DOCUMENTS**

D328,489 S	8/1992	Stairs, Jr.	
D335,701 S	5/1993	Zaccai et al.	
D358,456 S	5/1995	Patterson	
D373,817 S	9/1996	Andronico	
D392,029 S	3/1998	Singla Palacin	
D393,698 S	4/1998	Singla Palacin	
D395,698 S	6/1998	Singla Palacin	
D398,381 S	9/1998	Singla Palacin	
D419,654 S	1/2000	Chiu	
D428,475 S	* 7/2000	Thomas	D23/277
D441,850 S	* 5/2001	Jacuzzi	D23/277
D454,181 S	3/2002	Bertoli	
D454,387 S	3/2002	Bertoli	
D460,538 S	* 7/2002	Jacuzzi	D23/280.1

**OTHER PUBLICATIONS**

Advertisement, Eljer, "Fine Art for the Bath", undated, 2 pages.

Advertisement, Crane Plumbing, "A Broad Range of Distinctively Styled Bathroom Products", 1995, 4 pages.

Advertisement, Hydro Systems, Inc., "Hydro Systems, Inc.", 1993, 12 pages.

Advertisement, Trayco, Inc., "Bath Forms and Shower-Forms Family of Products", 1992, 8 pages.

Advertisement, Clarke Products Inc., "Great Bathrooms begin with Clarke", 1993, 12 pages.

Advertisement, Kohler Co., "Whirlpools and Baths", 1992, 8 pages.

Advertisement, Universal-Rundle Corporation, "Bathing Syses: Whirlpools", 1993, 6 pages.

Advertisement, Eljer Industries, "Light Weight is No Substitute for Cast Iron Durability", undated, 2 pages.

Advertisement, Eljer Industries, "Whirlpools", undated, 8 pages.

Advertisement, Hydromassage Inc., "Hydromassege: Superior Standard of Excellence", 1991, 8 pages.

Advertisement, Hydromassage Inc., "Hydromassage: Carnation", undated 1 page.

Advertisement, Hydromassage Inc., "Hydromassage: About the Quality of our Shower Units", undated, 2 pages.

Advertisement, Hydromassage, Inc., "Hydromassage: "Contractor Series" Showers", undated, 2 pages.

Advertisement, Hydromassage, Inc., "Hydromassage: "Contractor Series" Showers", undated, 1 page.

(List continued on next page.)

*Primary Examiner*—Louis S. Zarfes

*Assistant Examiner*—Robert A. Delehanty

(74) *Attorney, Agent, or Firm*—Baker & Daniels

(57) **CLAIM**

I claim the ornamental design for a bathtub, as shown.

**DESCRIPTION**

FIG. 1 is perspective view of the bathtub of the present invention;

FIG. 2 is a top plan view of the bathtub;

FIG. 3 is a bottom plan view of the bathtub;

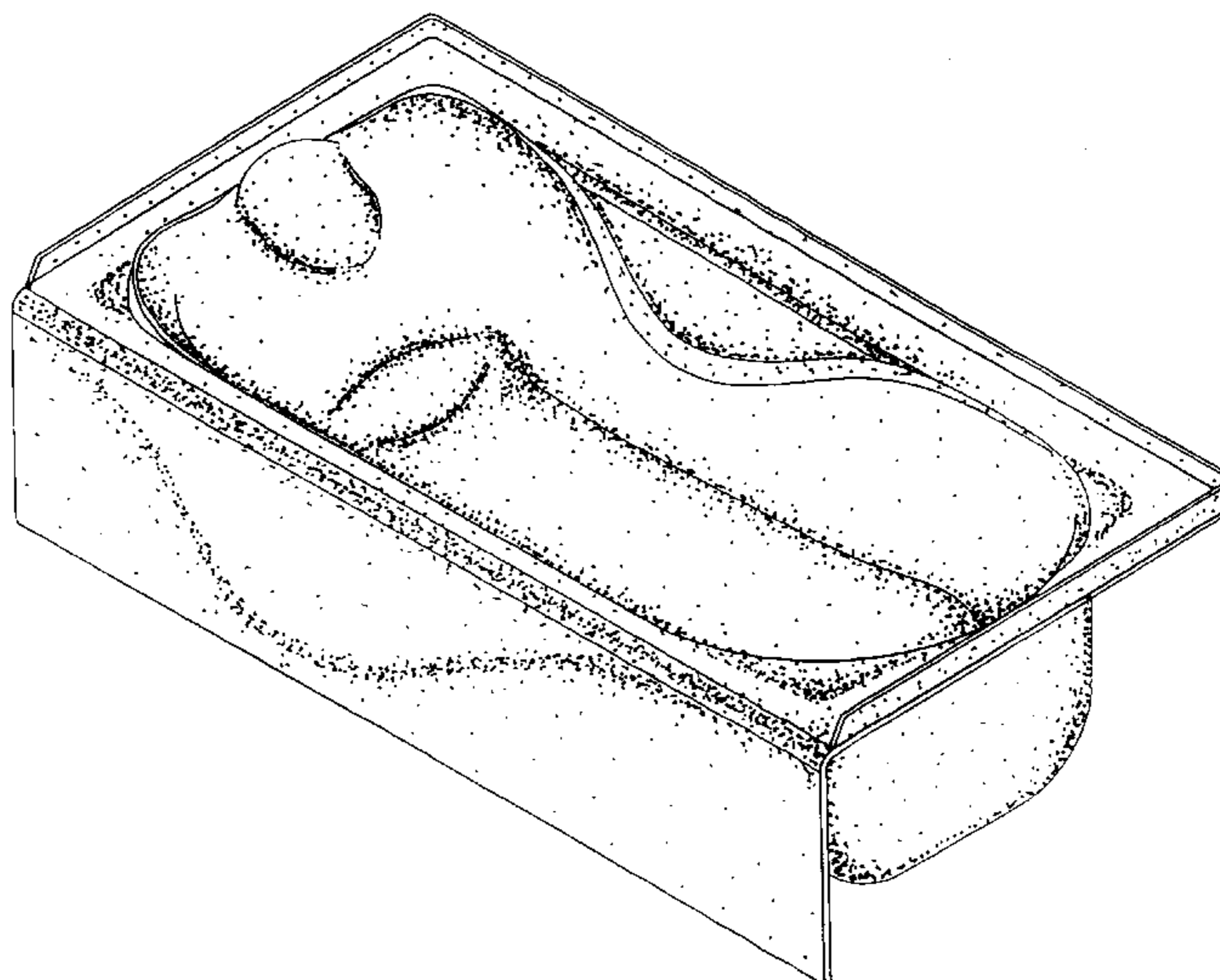
FIG. 4 is a front side view of the bathtub;

FIG. 5 is a rear side view of the bathtub;

FIG. 6 is an end view of the bathtub; and,

FIG. 7 is an end view from the end opposite FIG. 6.

**1 Claim, 5 Drawing Sheets**



**OTHER PUBLICATIONS**

Advertisement, Hydromassage, Inc., "Hydromassage: Carnation", undated, 4 pages.

Advertisement, Hydromassage, Inc., "Price List", 1998, 8 pages.

Advertisement, Galbocca Fixtures, Inc., "Adora", undated, 14 pages.

Advertisement, Maax Inc., "Axam Collection", undated, 6 pages.

Advertisement, Pearl Baths, Inc., "Contractor Series", 1993, 4 pages.

Advertisement, Cedar Glass: Cedar Manufacturing Company, "BremenGlas Inc.", undated 8 pages.

Advertisement, International Cushioned Products Inc., "The Soft Bathtub", undated, 4 pages.

Advertisement, Kohler, "Kohler Design Data", Sep. 1986, 2 pages.

Advertisement, Caldera Spas, "Whirlpool Baths", undated, 2 pages.

Advertisement, Aqualux, "Aqualux", undated, 6 pages.

Advertisement, Broadway Whirlpool Inc., "Broadway Whirlpool: Affordable Luxury", undated, 4 pages.

Advertisement, UltraBath, "UltraBath: the ultimate bath", undated, 8 pages.

Advertisement, Swirl-way Plumbing Group, "Personal Comfort Just Got More Personalized", undated 1 page.

Advertisement, "Verdi", undated, 2 pages.

Advertisement, NoviAmerican, "More Depth. More Features. More Comfort than Ever. Introducing Ultra by NoviAmerican", 1989, 2 pages.

Advertisement, Plastic Creations, Incorporated, "Gulfstream Whirlpool Bath", undated, 4 pages.

Advertisement, Benjamin Manufacturing Co., Inc., "Benjamin Manufacturing Company, Inc.", undated, 6 pages.

Advertisement, Great Lakes Spa, a Division of Precision Engineered Plastics, Inc., "Venus", undated, 1 page.

Advertisement, Acrylica Inc., "Maxima II", undated, 2 pages.

Advertisement, Carron Plastics (1982) Limited, "Carron Plastics: Range of Quality Bathroom Products", undated, 4 pages.

Catalog, Hydromassage, Inc., "Hydromassage: Superior Standard of Excellence", 1991, 32 pages.

Catalog, Aqua Glass Corporation, "Aqua Glass: The Elements of Style", 1990, 30 pages.

Catalog, Jacuzzi Whirlpool Bath, Jacuzzi, Inc., "The International Collection: 1992", 1991, 36 pages.

Catalog, Royal Baths Manufacturing, "Royal Whirlpool Baths", undated, 24 pages.

Catalog, Metall + Kunststoffwerk GmbH & Co., "The Luxury Range", undated, 8 pages.

Catalog, Lasco Bathware, "Aqua Whirlpool Baths", undated, 15 pages.

Catalog, Hydro Swirl, "Hydro Swirl: Acrylic Jetted Baths & Shower Bases", Feb. 1993, 32 pages.

Catalog, American Standard, Inc., "Whirlpool", 1992, 16 pages.

Catalog, Capri Bath Products, a Division of CSI, "Capri Bath Products: Builder's Collection", undated, 12 pages.

Catalog, Acrylic, a Division of Maax, "Acrylic Bathtubs, Whirlpools, Aeromax", undated, 40 pages.

Brochure, Maax, Inc., "Premium by Maax: Bathe the Difference", undated, 12 pages.

\* cited by examiner

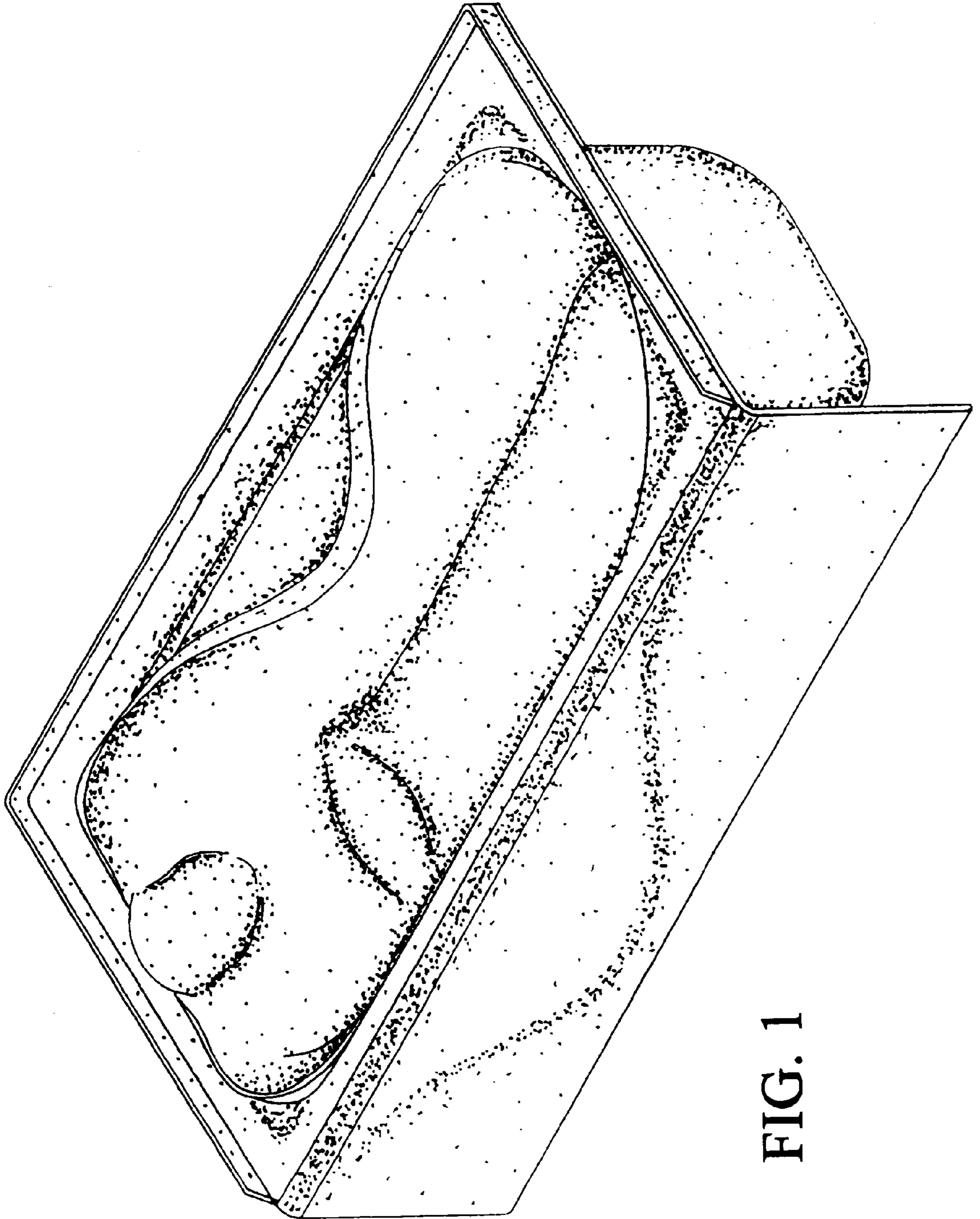


FIG. 1

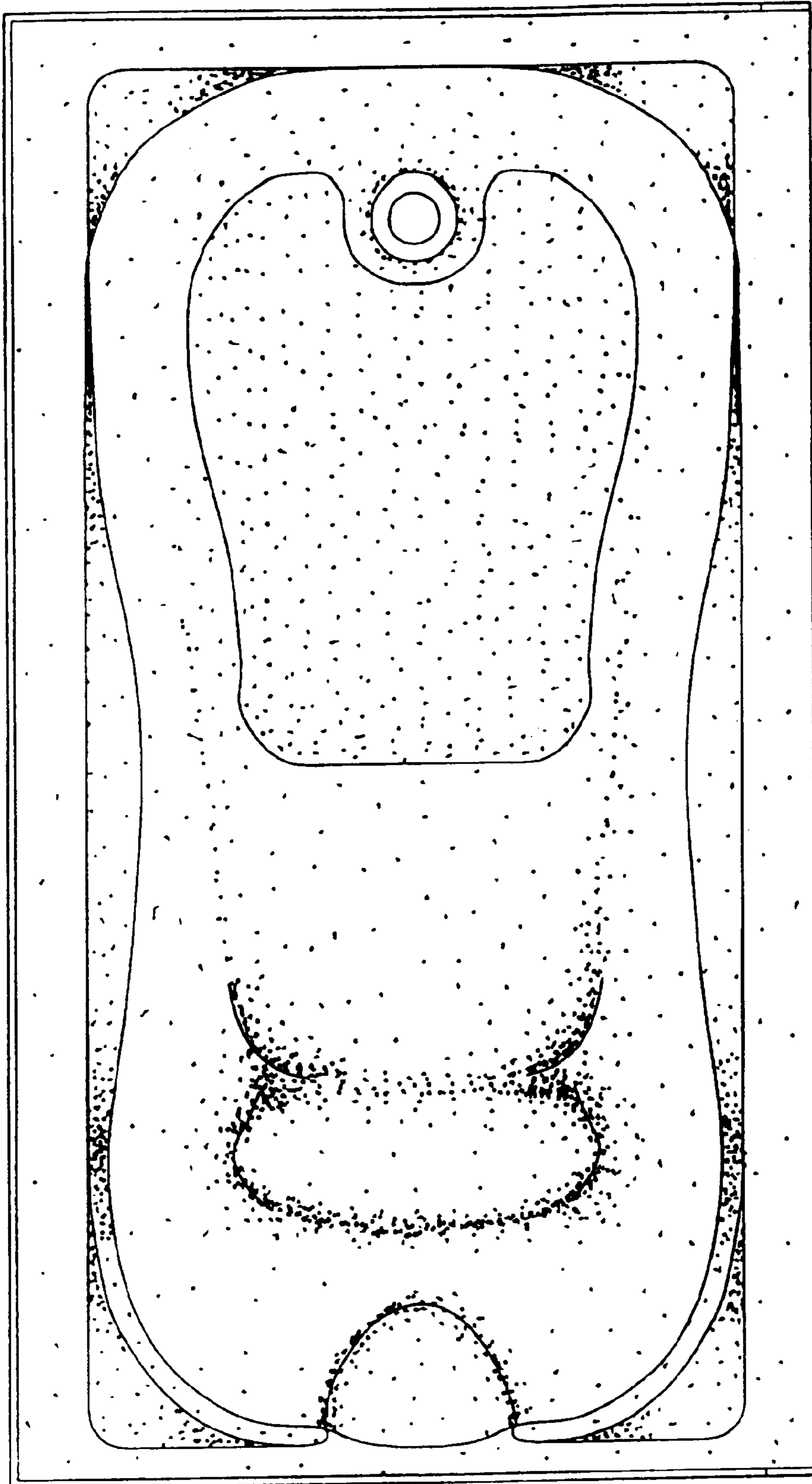


FIG. 2

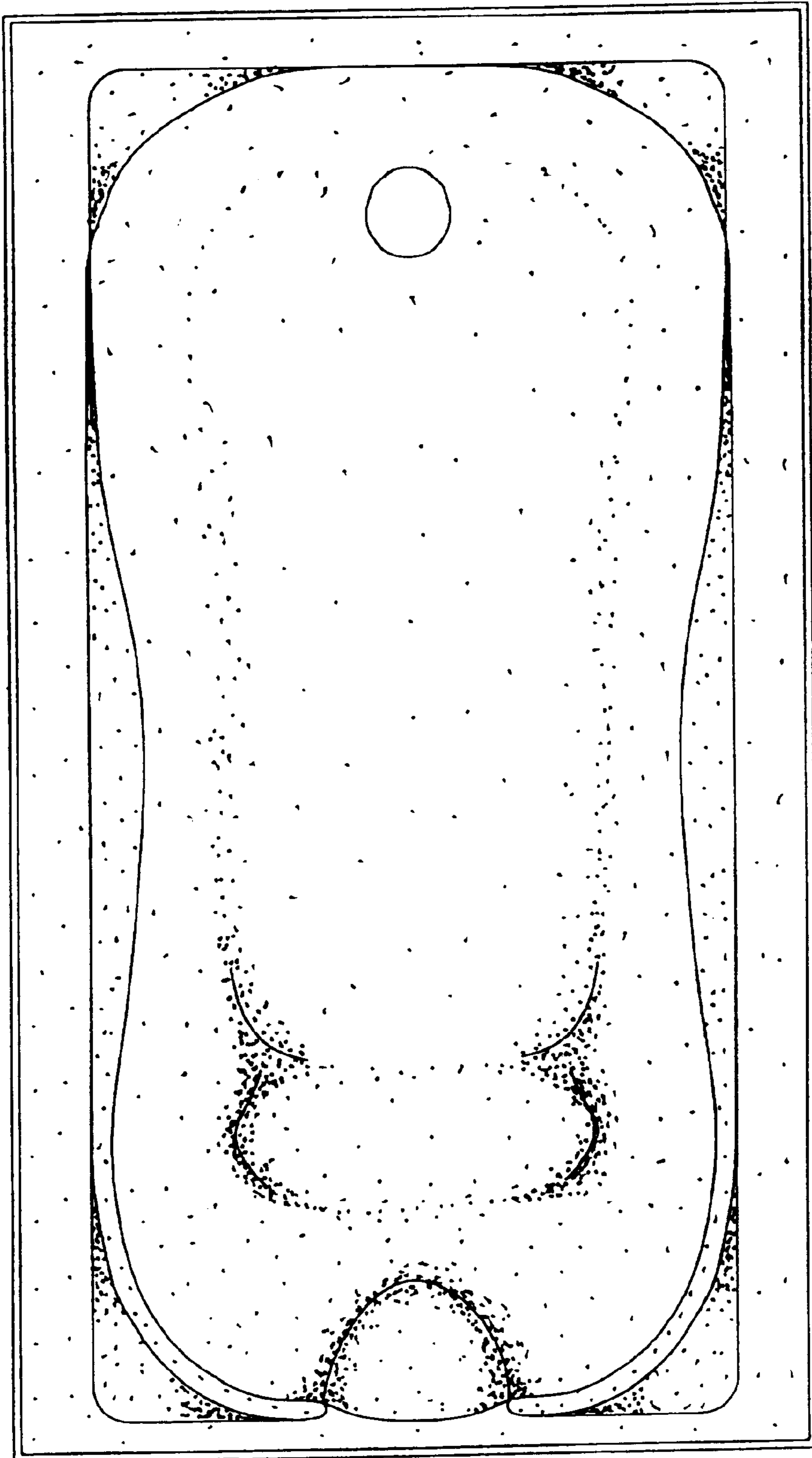


FIG. 3

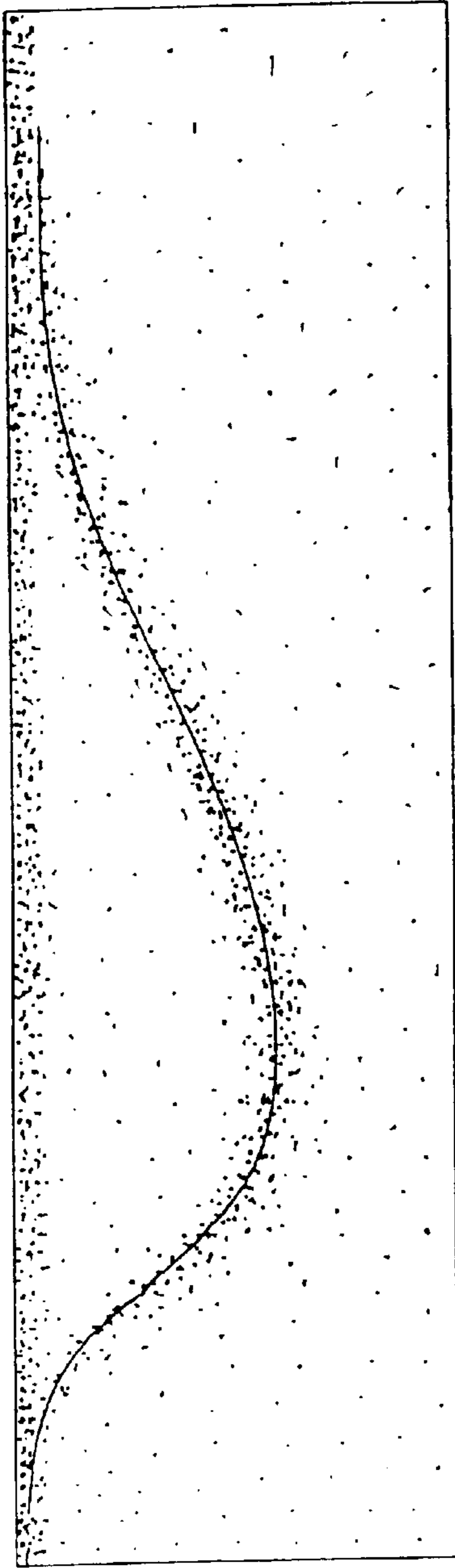


FIG. 4



FIG. 5

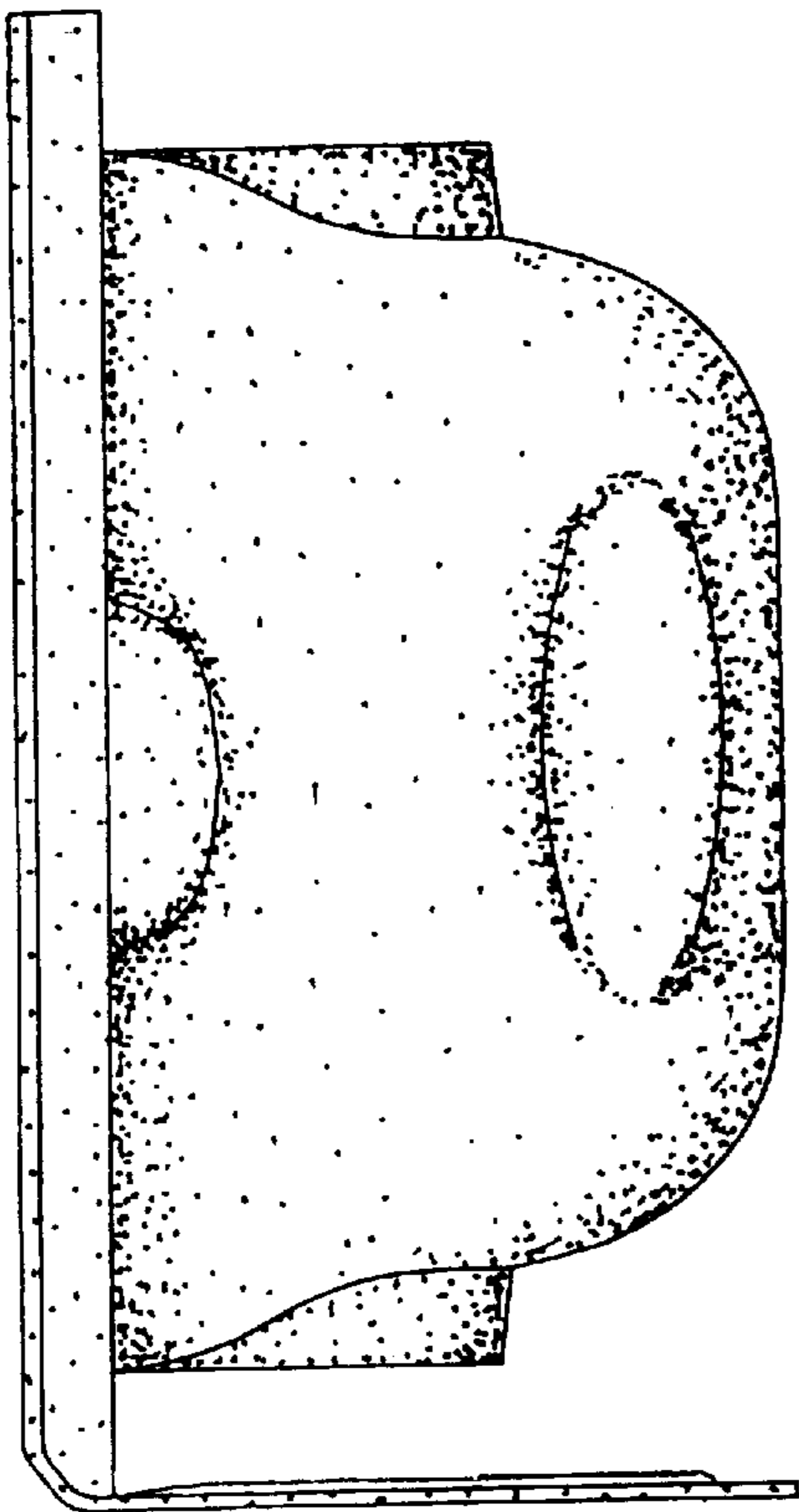


FIG. 6

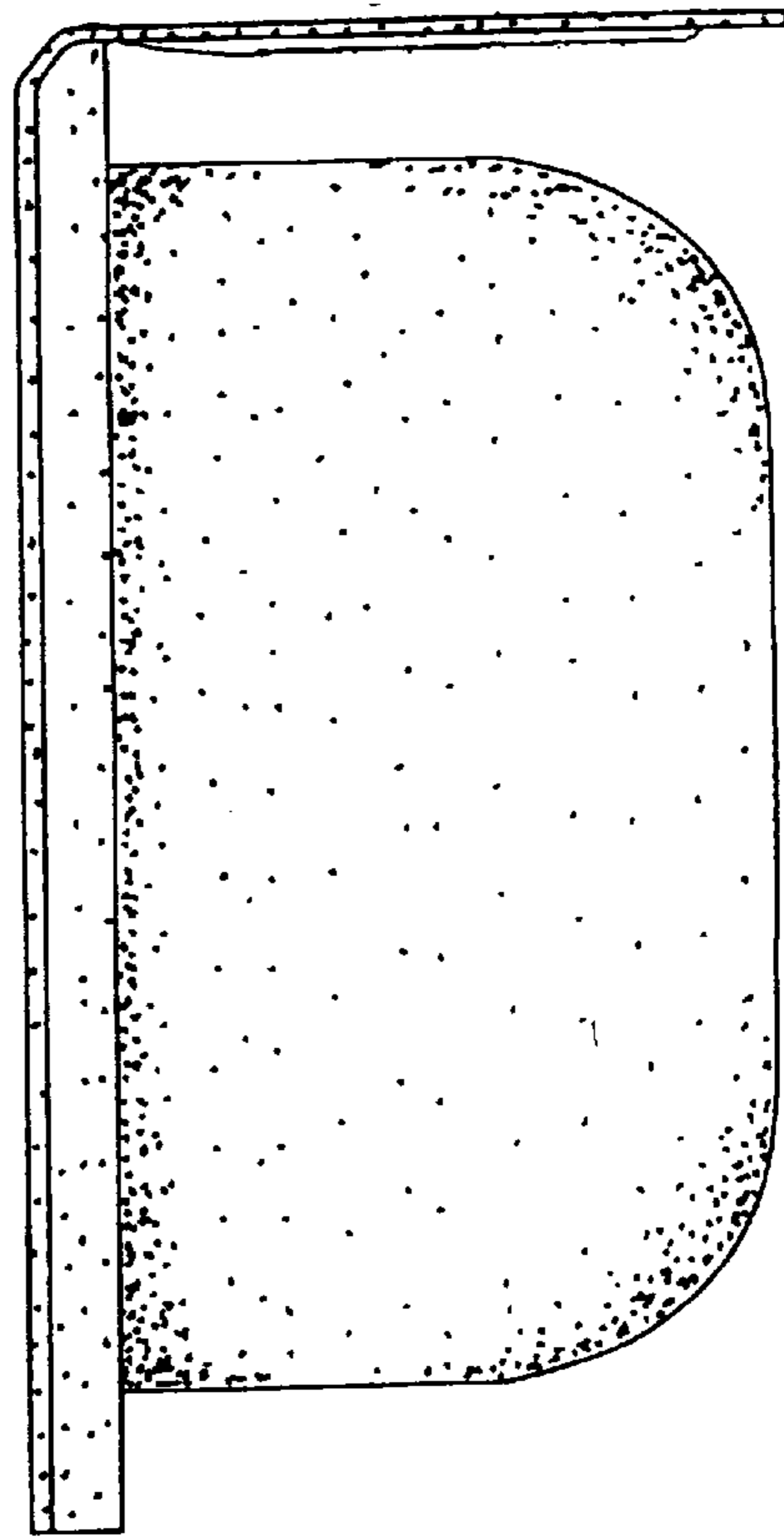


FIG. 7