



US00D485602S

(12) **United States Design Patent**
Lee

(10) **Patent No.:** **US D485,602 S**

(45) **Date of Patent:** **** Jan. 20, 2004**

(54) **COLD-HOT WATER FAUCET**

(76) Inventor: **Jen-Chieh Lee**, No. 47-2, Ju-Yi Rd.,
Hsi-Chi Li, Ta Chia Township,
Taichung Hsien (TW)

(**) Term: **14 Years**

(21) Appl. No.: **29/182,373**

(22) Filed: **May 27, 2003**

(51) **LOC (7) Cl.** **23-01**

(52) **U.S. Cl.** **D23/241; D23/238**

(58) **Field of Search** **D23/238-243,**
D23/250-257; 4/675-678; 137/801

(56) **References Cited**

U.S. PATENT DOCUMENTS

D339,411 S	*	9/1993	Gottwald	D23/241
D457,603 S	*	5/2002	Lobermeier	D23/242
D458,987 S	*	6/2002	Gottwald	D23/242

* cited by examiner

Primary Examiner—Louis S. Zarfes
Assistant Examiner—Gregory Andoll
(74) *Attorney, Agent, or Firm*—Harrison & Egbert

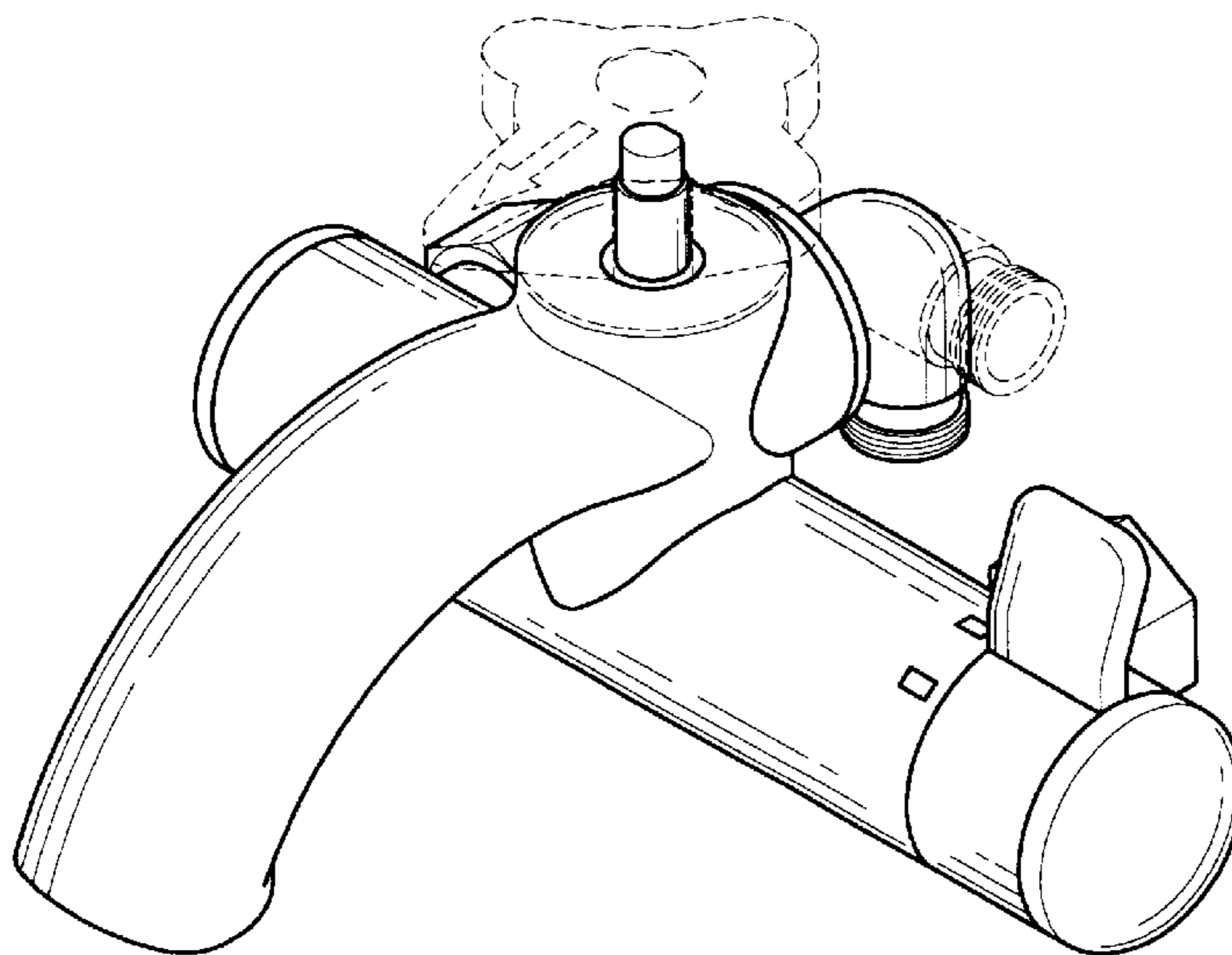
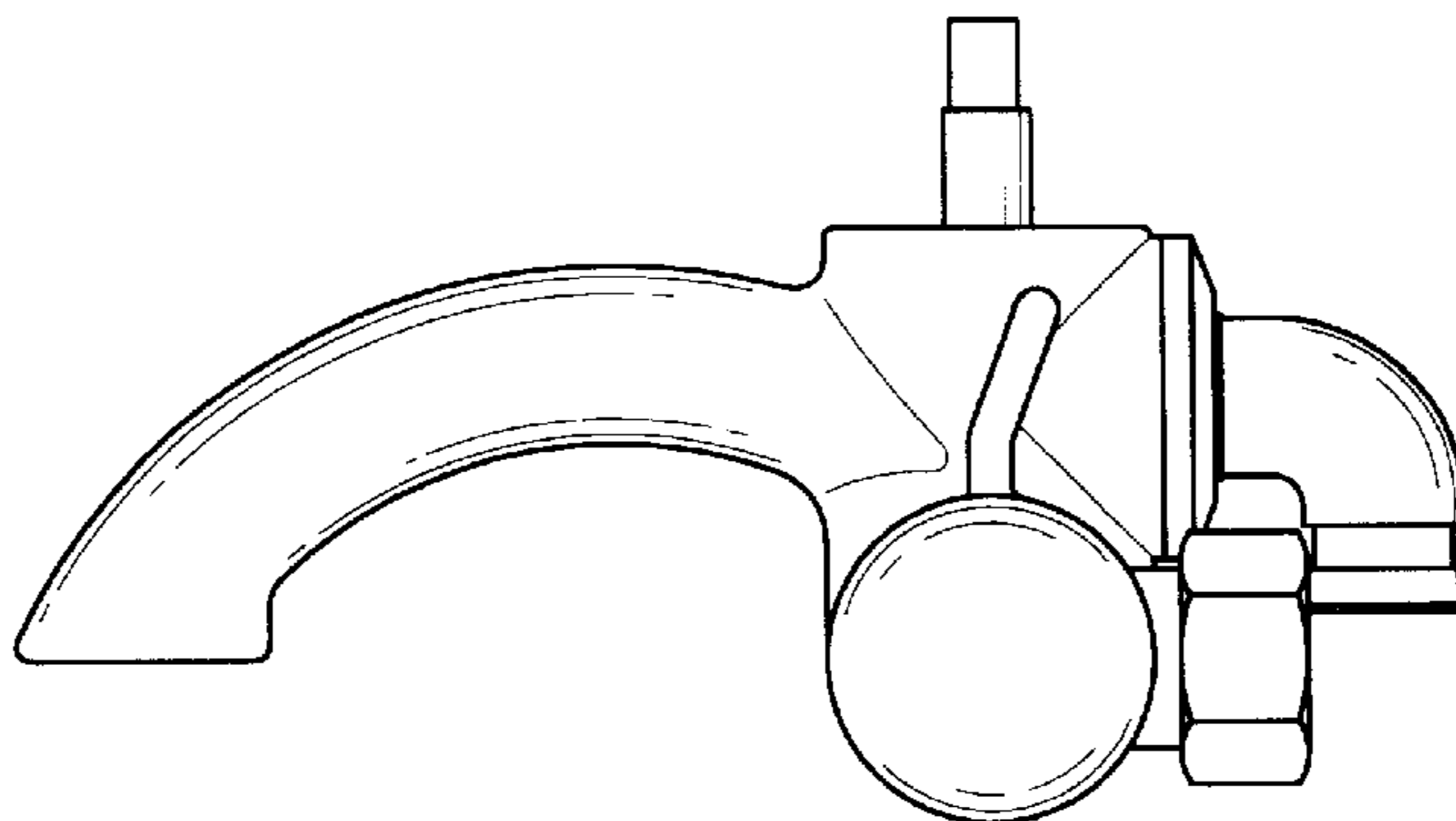
(57) **CLAIM**

I claim the ornamental design for a cold-hot water faucet, as shown and described.

DESCRIPTION

FIG. 1 is an upper perspective view of the cold-hot water faucet showing my design.
FIG. 2 is a front view thereof;
FIG. 3 is a back view thereof;
FIG. 4 is a side view thereof;
FIG. 5 is an opposite side view thereof;
FIG. 6 is a top view thereof;
FIG. 7 is a bottom view thereof; and,
FIG. 8 is an upper perspective view thereof, showing a handle attachment in broken lines.
The broken lines are presented for illustrative purposes and do not form any part of the claimed design.

1 Claim, 5 Drawing Sheets



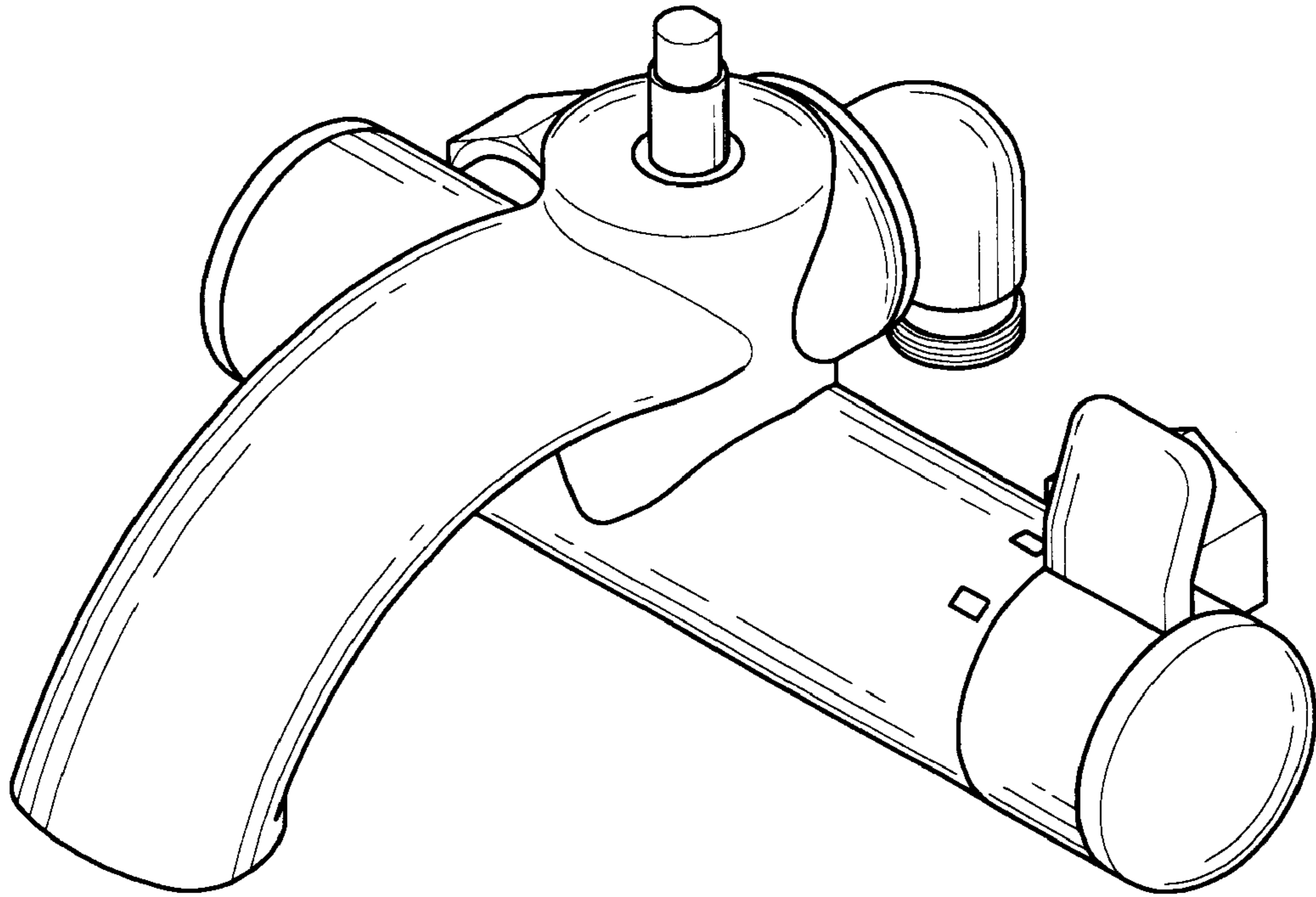


FIG.1

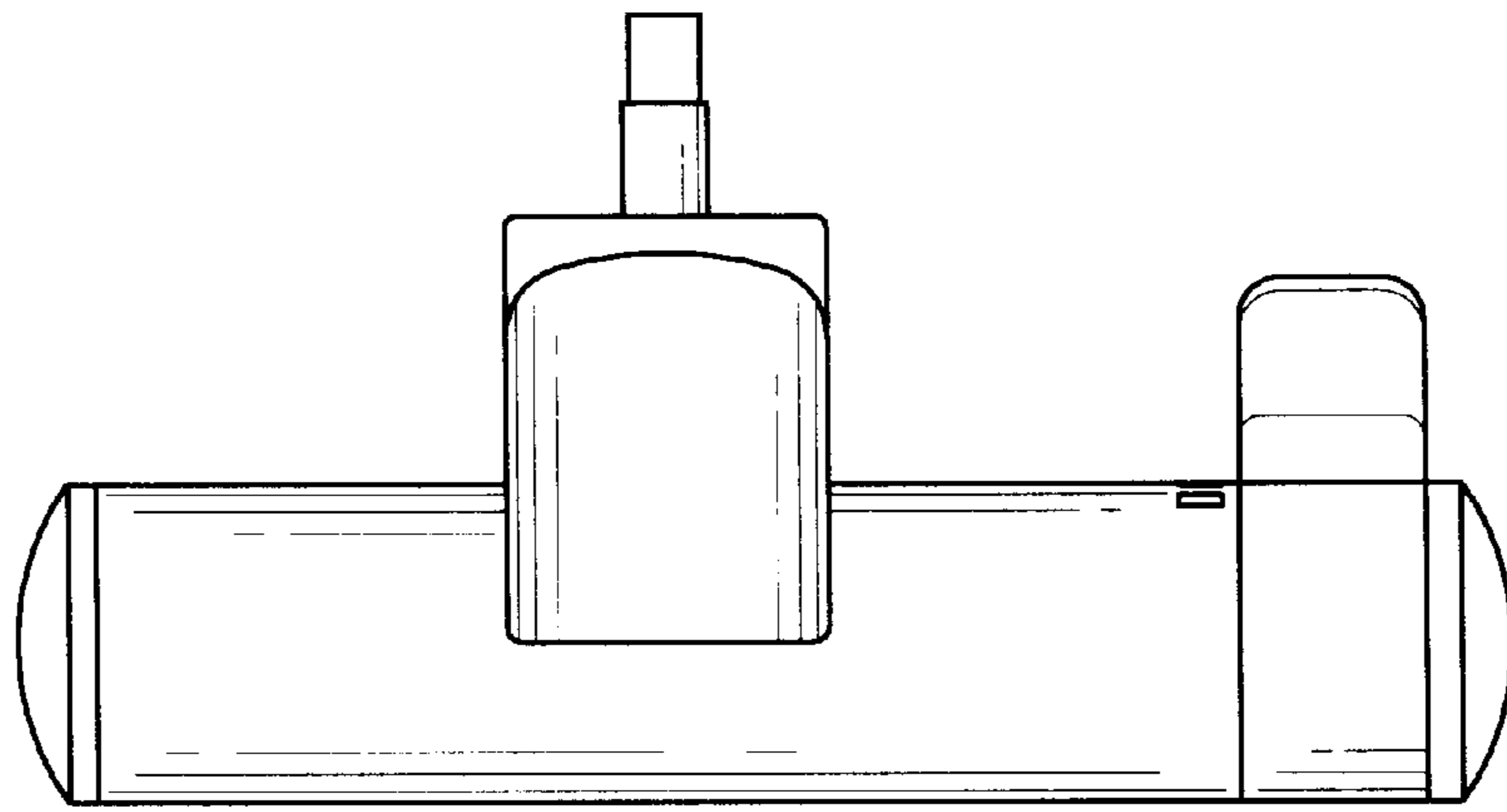


FIG. 2

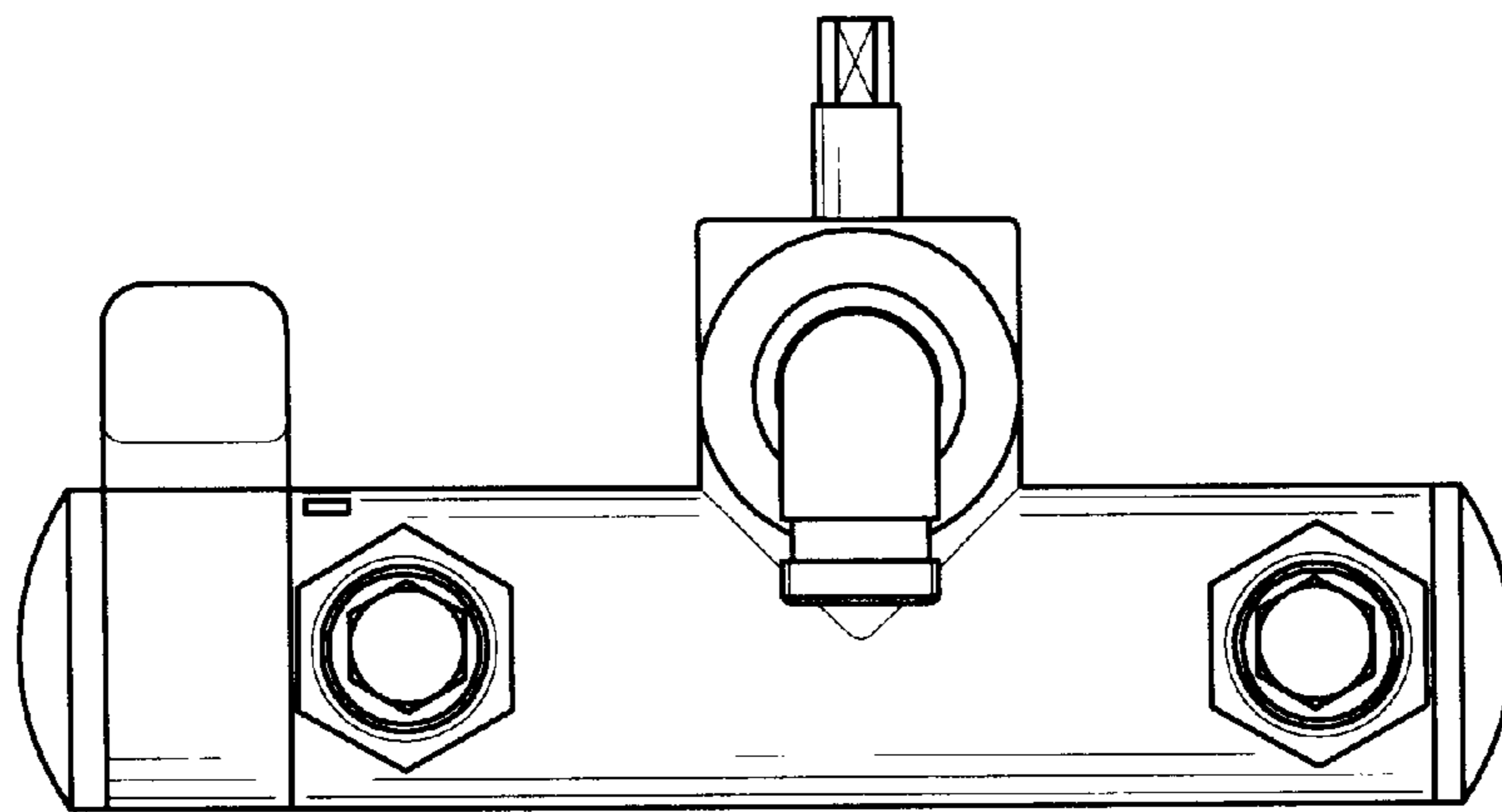


FIG. 3

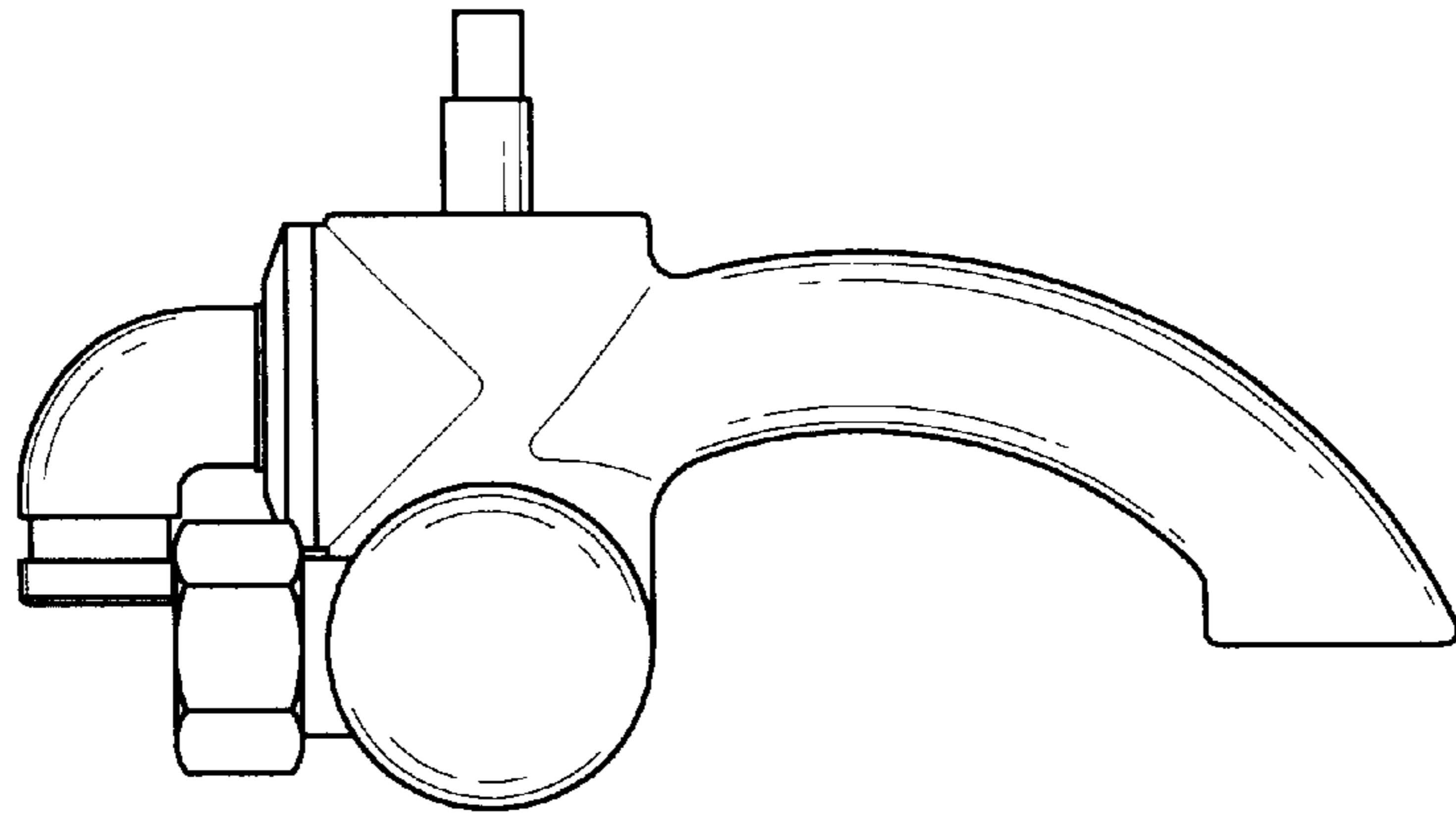


FIG.4

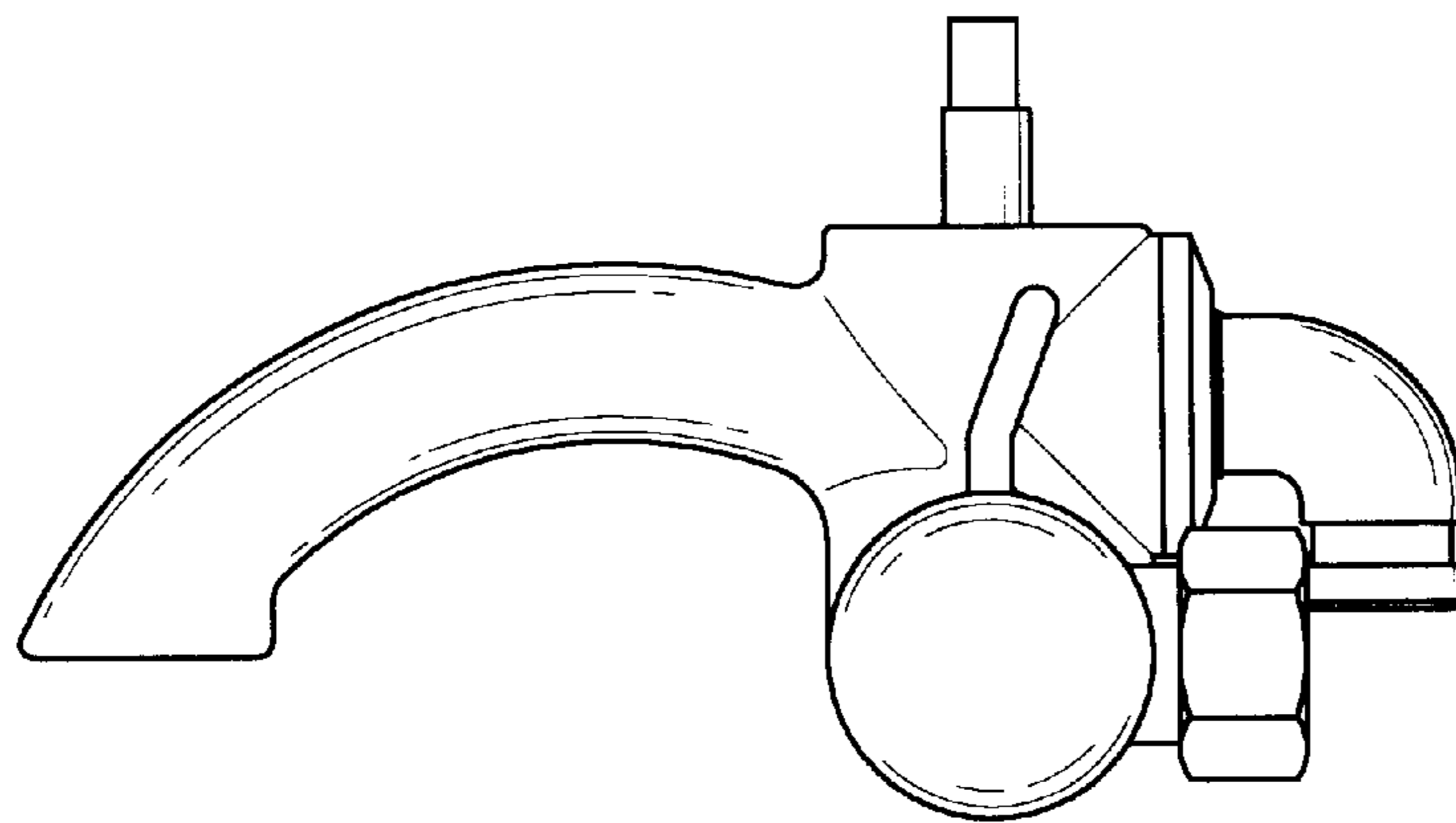


FIG.5

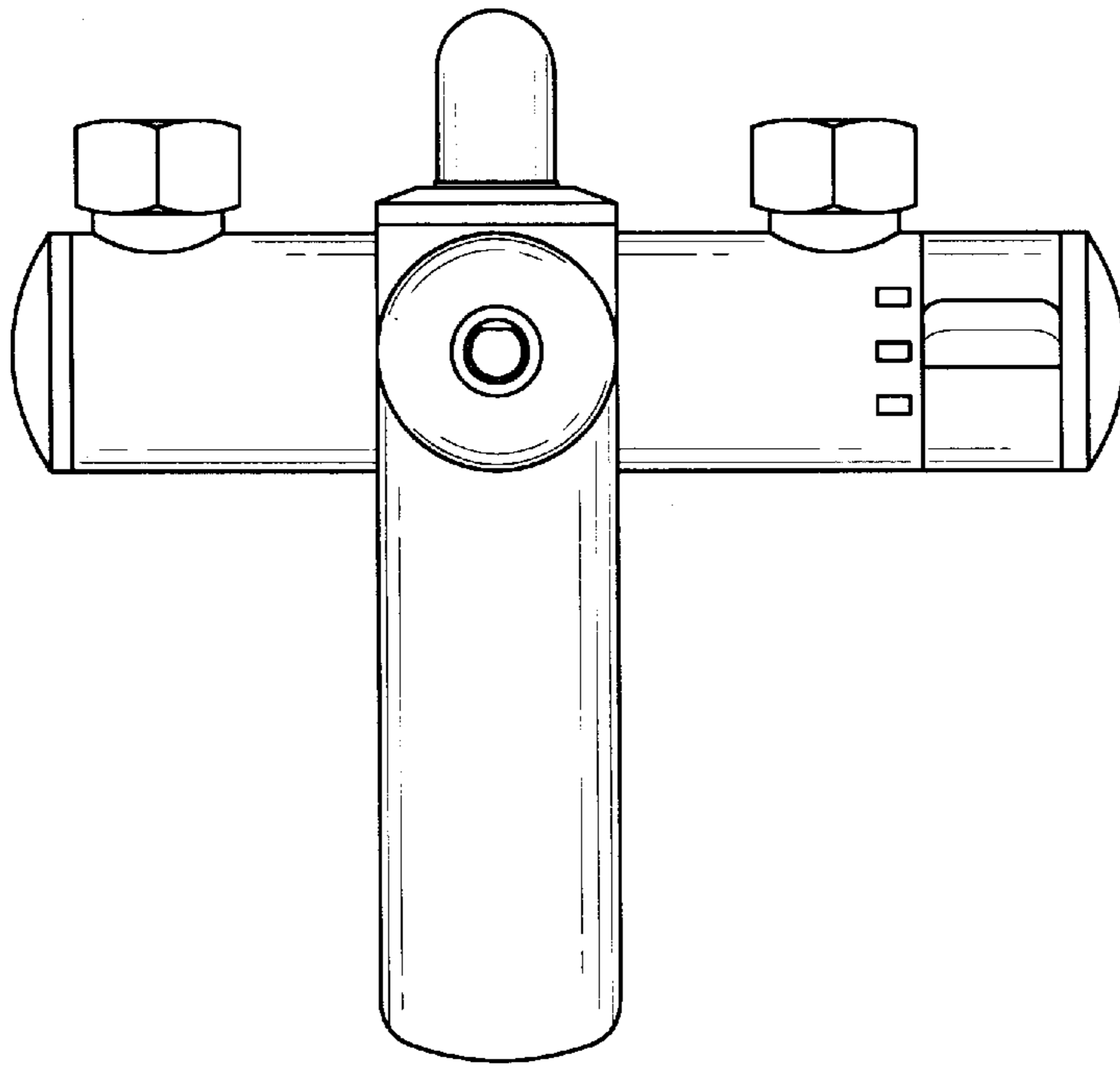


FIG. 6

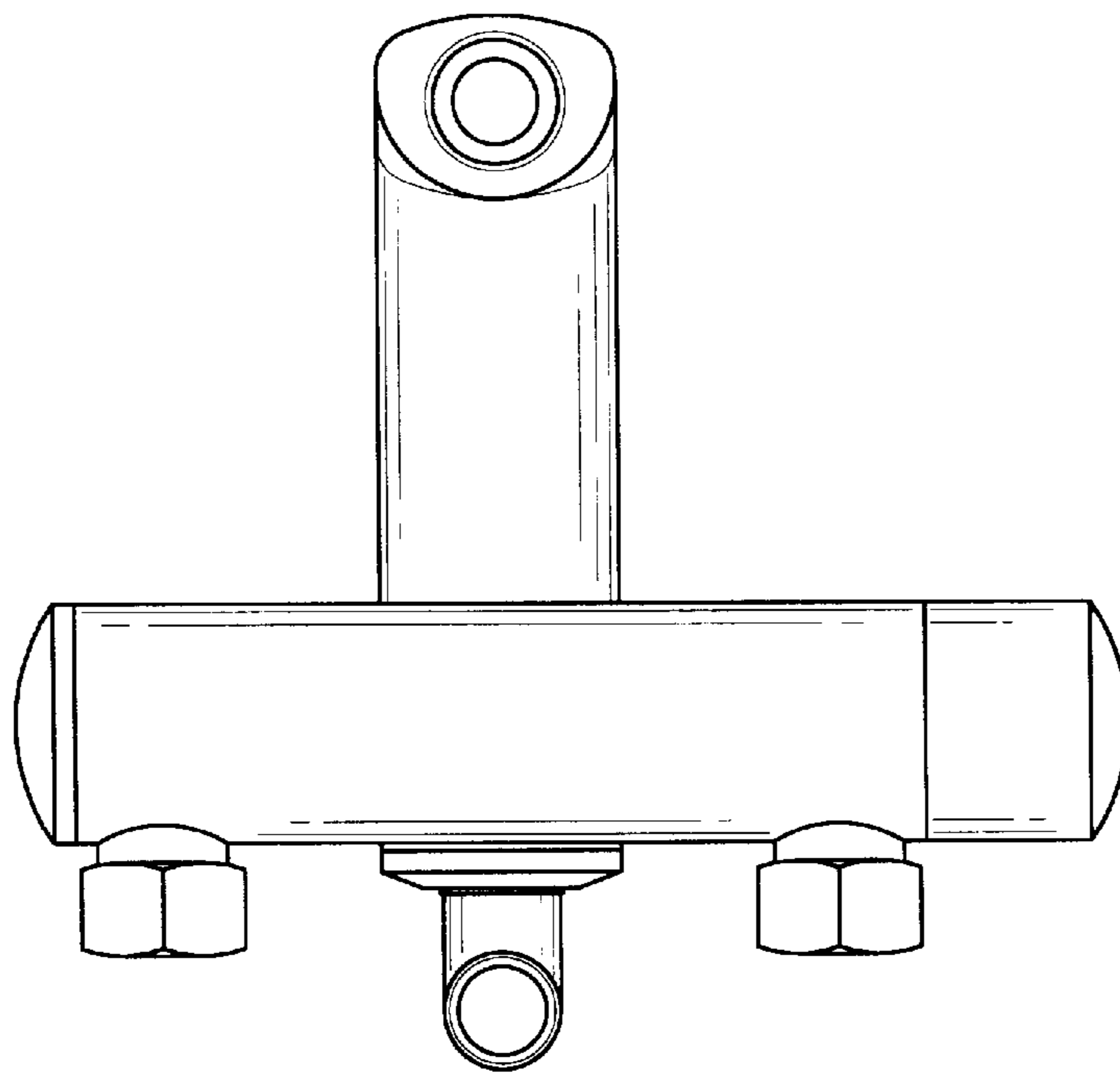


FIG. 7

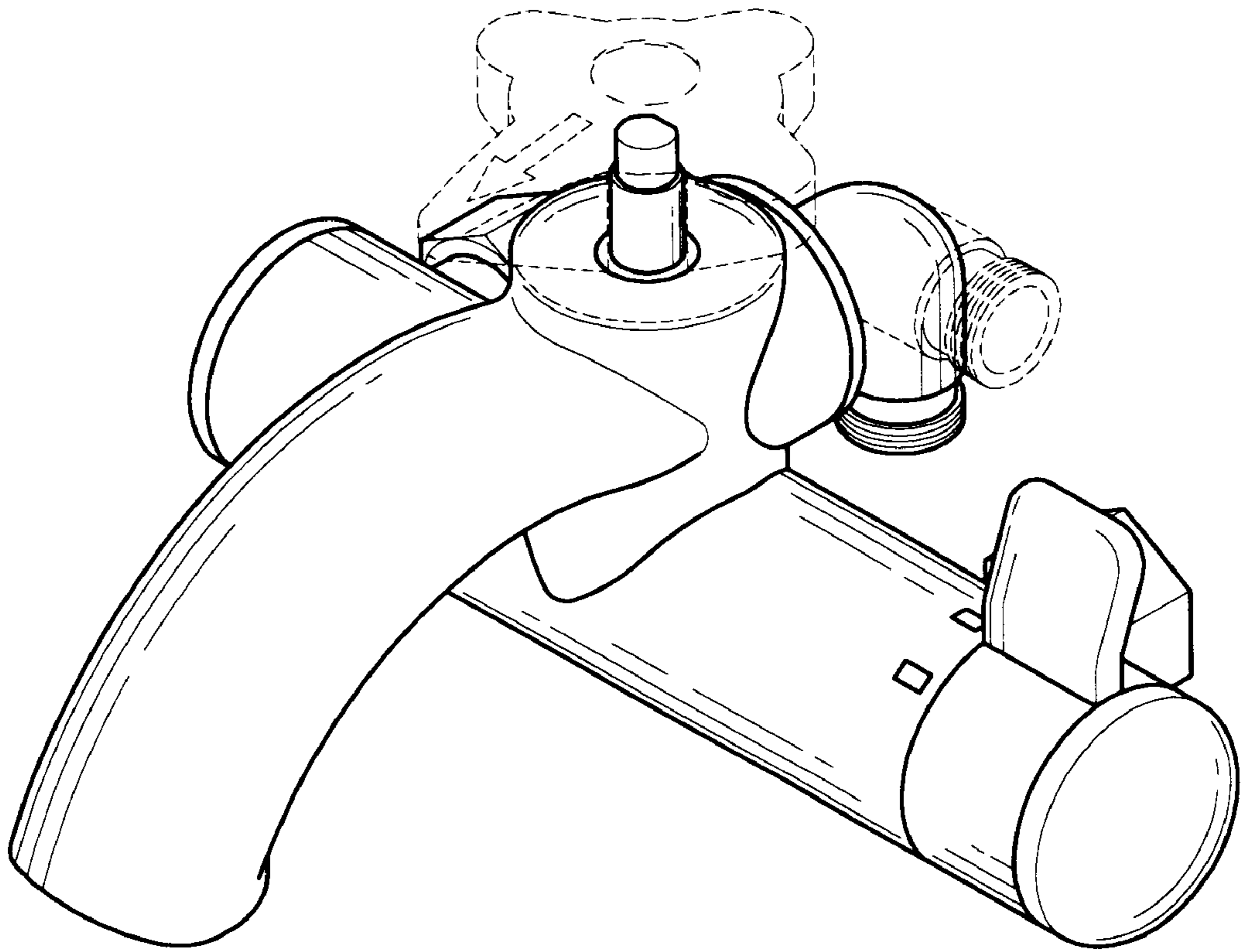


FIG. 8