



US00D485601S

(12) **United States Design Patent**
Bertram

(10) **Patent No.:** **US D485,601 S**

(45) **Date of Patent:** **** Jan. 20, 2004**

(54) **FISHING ROD HOLDER**

(76) Inventor: **Rick Bertram**, 603 Linson La.,
Friendswood, TX (US) 77546

(**) Term: **14 Years**

(21) Appl. No.: **29/177,270**

(22) Filed: **Mar. 6, 2003**

(51) **LOC (7) Cl.** **22-05**

(52) **U.S. Cl.** **D22/147**

(58) **Field of Search** D22/147, 148,
D22/138, 139; 43/21.2, 17, 16; 248/532,
545, 530, 531

(56) **References Cited**

U.S. PATENT DOCUMENTS

5,349,775 A * 9/1994 Mondares 43/21.2

5,383,299 A * 1/1995 Smelker 43/21.2

D386,557 S * 11/1997 Thompson D22/147

D389,555 S * 1/1998 Johnson D22/148

* cited by examiner

Primary Examiner—Catherine R. Oliver

(74) *Attorney, Agent, or Firm*—Kenneth A. Roddy

(57) **CLAIM**

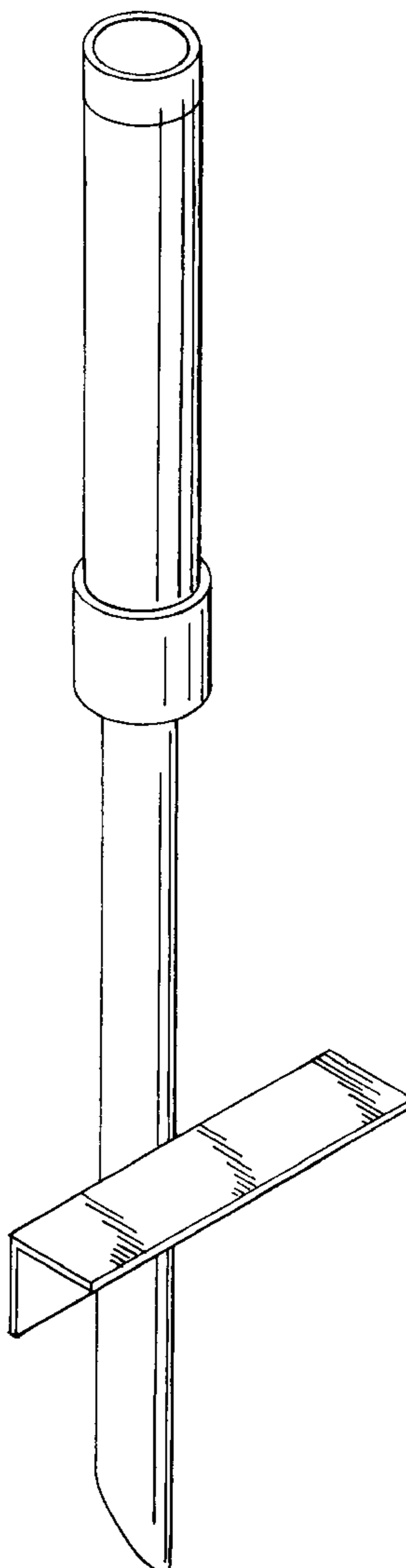
The ornamental design for a fishing rod holder, as shown and described.

DESCRIPTION

FIG. 1 is a top, front perspective view of a fishing rod holder showing my new design; and,

FIG. 2 is a bottom, rear perspective view thereof.

1 Claim, 1 Drawing Sheet



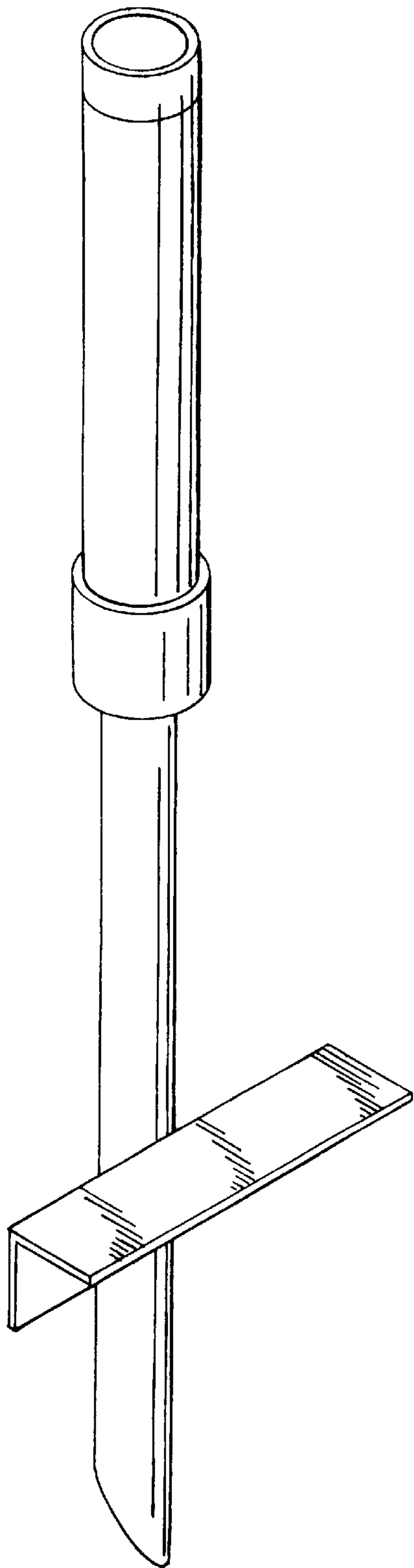


Fig. 1

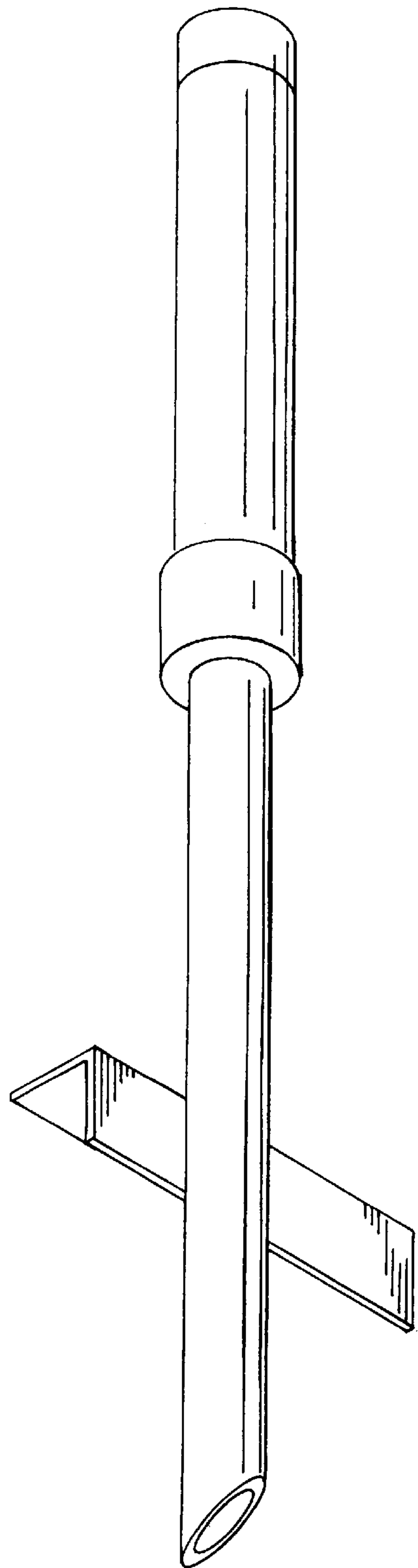


Fig. 2