



US00D485600S

(12) **United States Design Patent**
Williams et al.

(10) **Patent No.:** **US D485,600 S**
(45) **Date of Patent:** **** Jan. 20, 2004**

(54) **FISHING ROD HOLDER**

D407,137 S * 3/1999 Thompson D22/147
D464,705 S * 10/2002 Ratliffe D22/147

(76) Inventors: **Marcellus Williams**, 1 Harlequin Dr.,
Hampton, VA (US) 23669; **Miguel A.**
Morales, 1 Harlequin Dr., Hampton, VA
(US) 23669

* cited by examiner

Primary Examiner—Catherine R. Oliver

(**) Term: **14 Years**

(57) **CLAIM**

The ornamental design for a fishing rod holder, as shown and described.

(21) Appl. No.: **29/167,051**

(22) Filed: **Sep. 9, 2002**

DESCRIPTION

(51) **LOC (7) Cl.** **22-05**

(52) **U.S. Cl.** **D22/147**

(58) **Field of Search** D22/147, 148,
D22/139; D3/221; 224/922; 43/21.2; 211/70.1,
70.2

FIG. 1 is a front elevational view of a fishing rod holder showing my new design;

FIG. 2 is a right side elevational view;

FIG. 3 is an enlarged top plan view;

FIG. 4 is an enlarged front view of the spring clip for fishing rod holder shown in an open position; and,

FIG. 5 is an enlarged front view of the spring clip for fishing rod holder shown in a closed position.

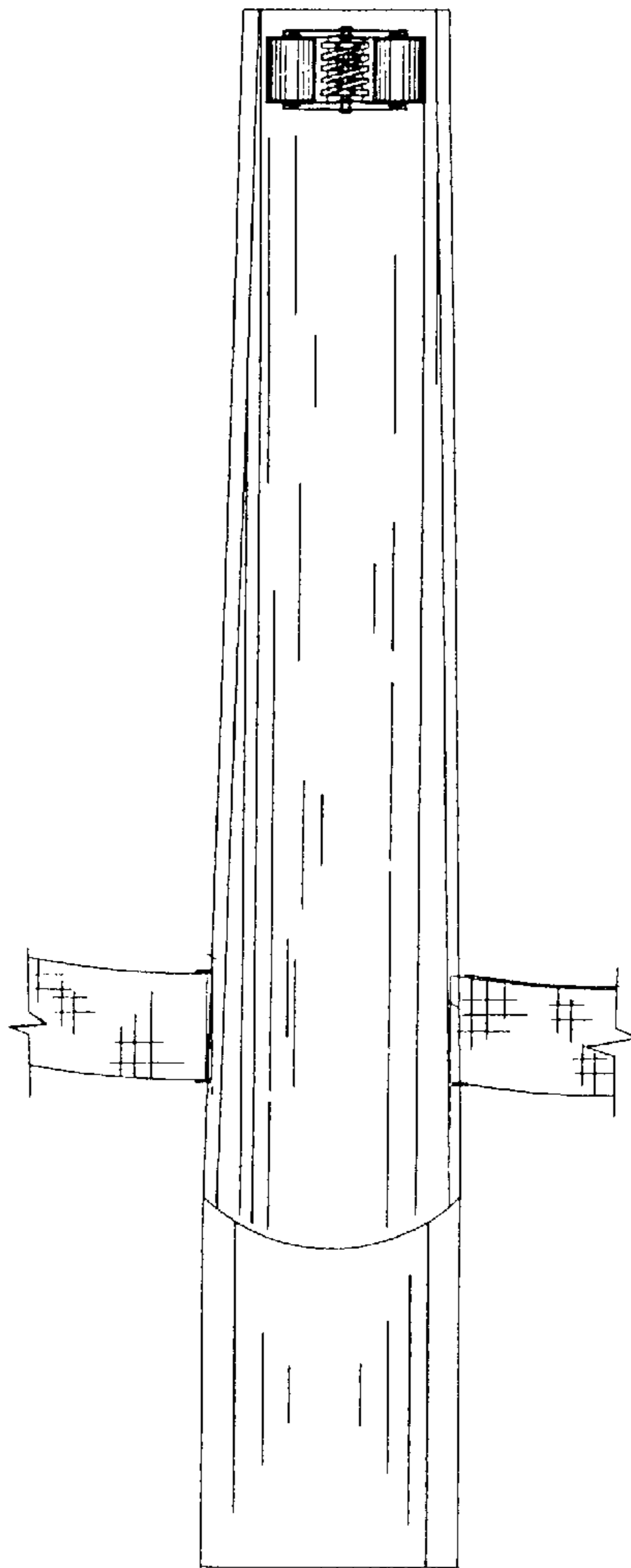
The strap is shown broken away for convenience of illustration.

(56) **References Cited**

U.S. PATENT DOCUMENTS

5,159,775 A * 11/1992 Sutula, Jr. 43/21.2
D335,031 S * 4/1993 Resnik et al. D3/221

1 Claim, 2 Drawing Sheets



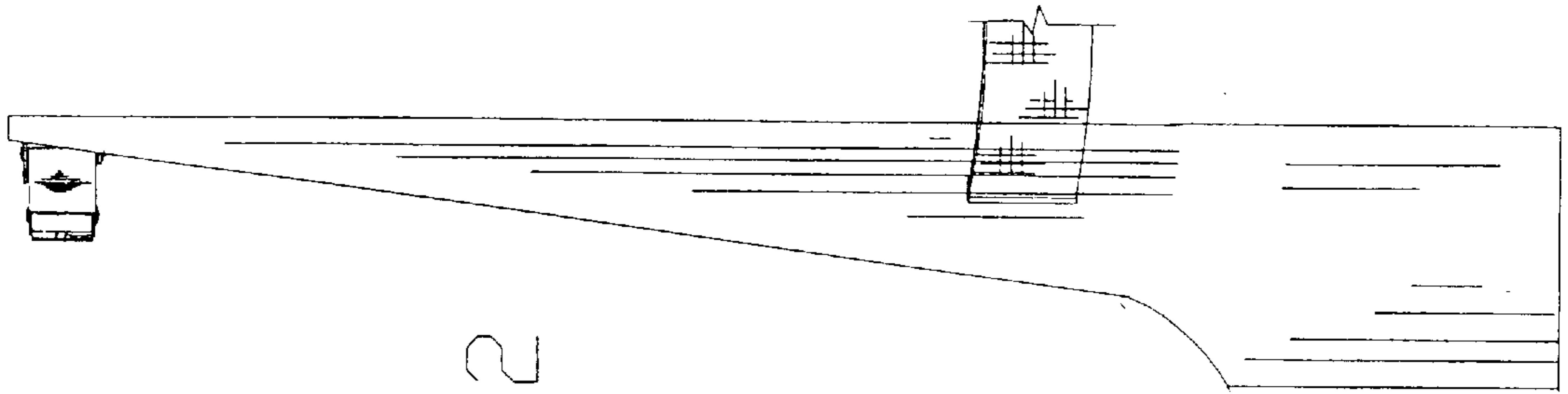


FIG. 2

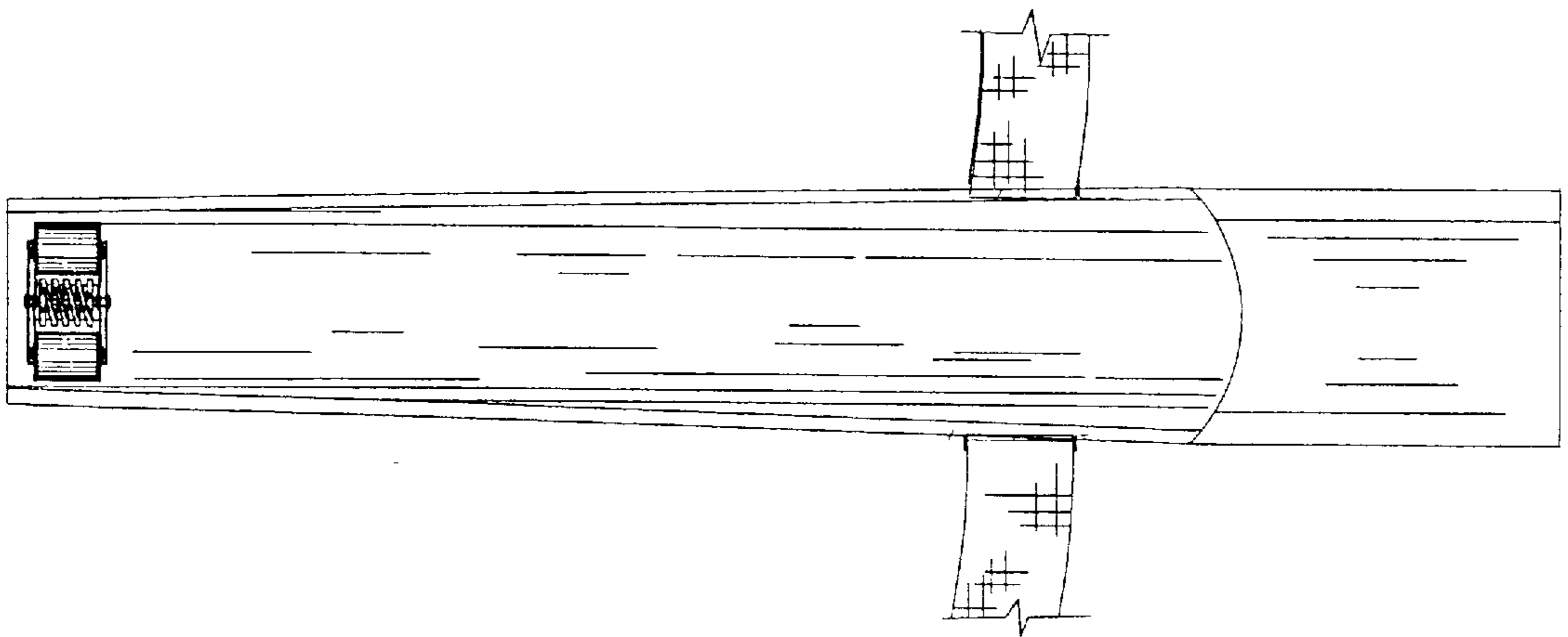


FIG. 1

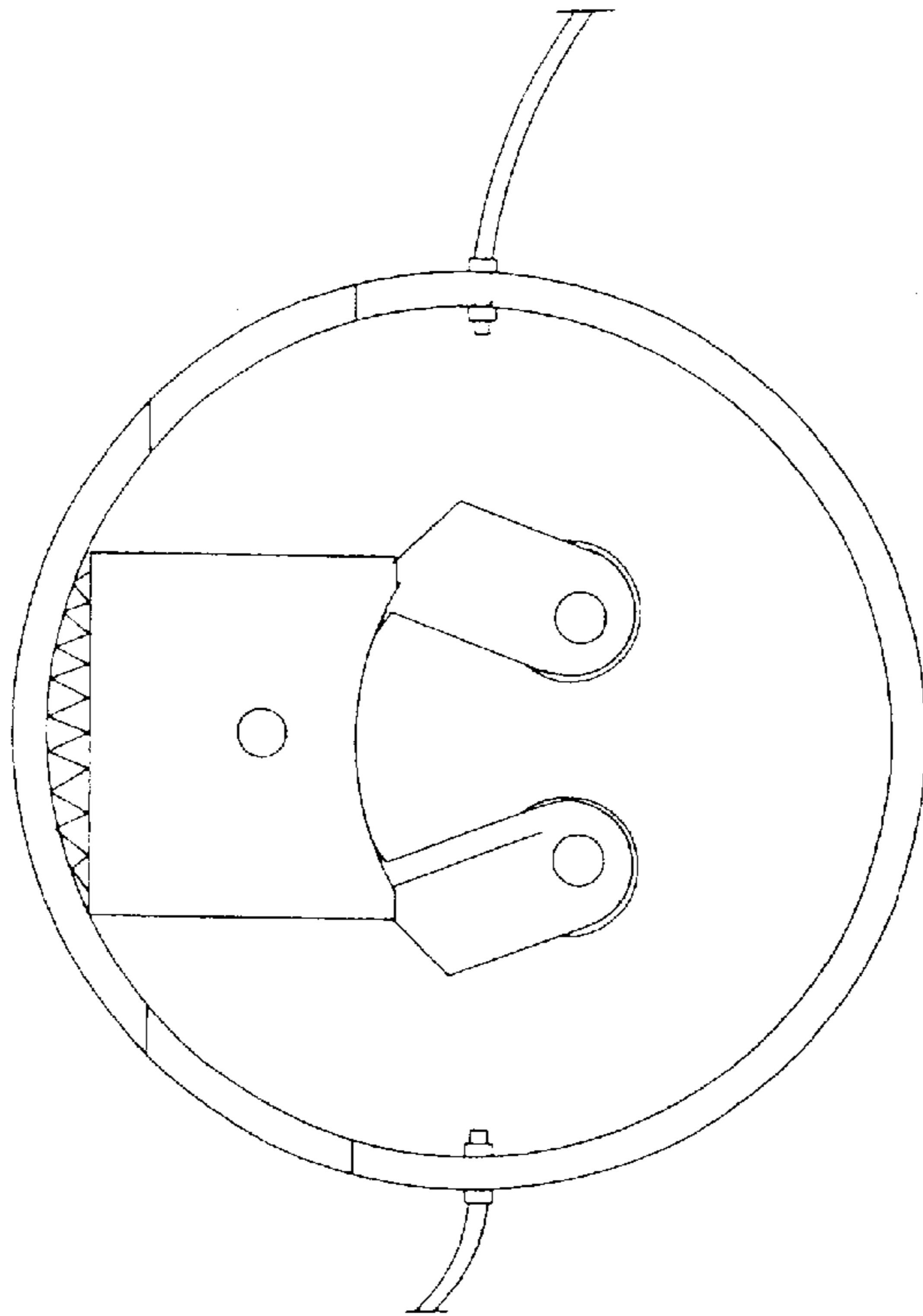


FIG. 3

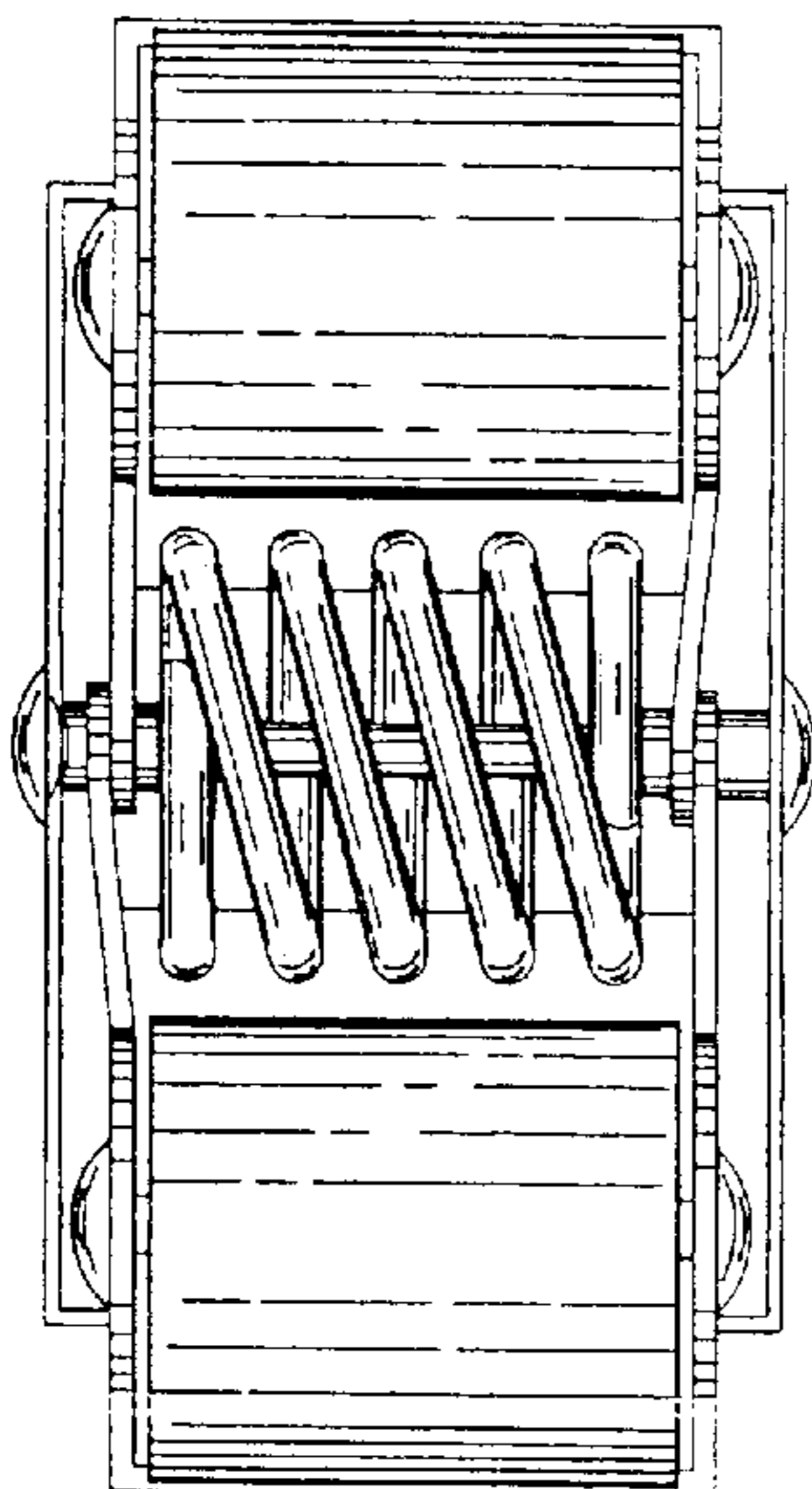


FIG. 4

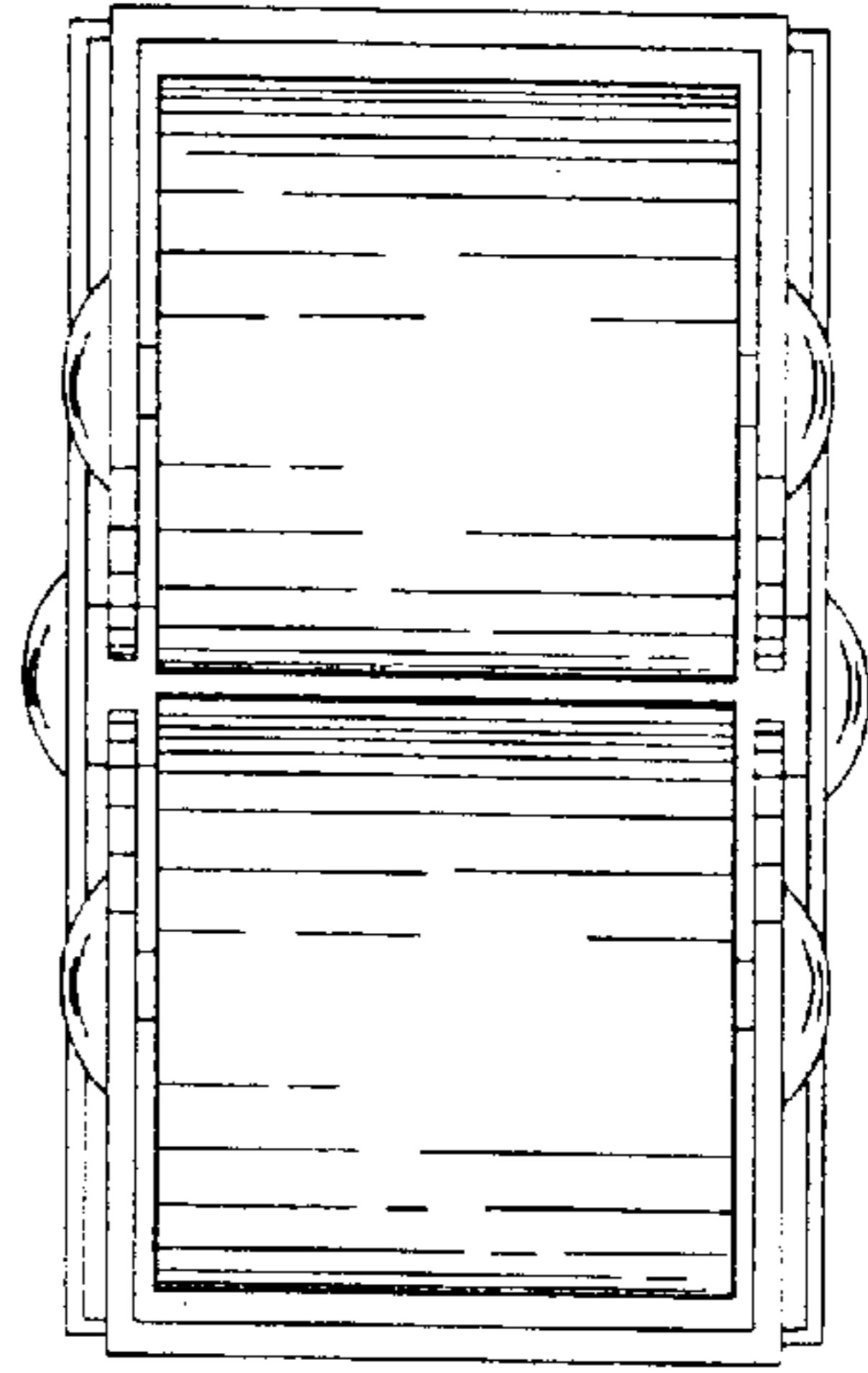


FIG. 5