



US00D485599S

(12) **United States Design Patent**
Steinberg

(10) **Patent No.:** **US D485,599 S**

(45) **Date of Patent:** **** Jan. 20, 2004**

(54) **PORTABLE BATTERY-POWERED LIGHTED FISHING BUOY WITH ANCHOR**

(76) **Inventor:** **Todd W. Steinberg**, 23431 Ivywood St. NW., Saint Francis, MN (US) 55070

(**) **Term:** **14 Years**

(21) **Appl. No.:** **29/182,403**

(22) **Filed:** **May 28, 2003**

(51) **LOC (7) Cl.** **22-05**

(52) **U.S. Cl.** **D22/134; D10/107**

(58) **Field of Search** **D22/134-136, D22/199, 149; D10/107-109; 43/17.5; 441/13, 16, 1-34**

(56) **References Cited**

U.S. PATENT DOCUMENTS

1,530,804 A	3/1925	Anundi	441/16
3,707,736 A	1/1973	Bass	441/13
D235,094 S	5/1975	Murphy et al.	D10/109
4,099,282 A	7/1978	Townsend	441/16
4,405,303 A *	9/1983	Smith	441/16
4,601,126 A *	7/1986	Klockslem	43/17.5

4,809,458 A	3/1989	Tanikuro et al.	43/17.5
D310,792 S *	9/1990	Dalbec	D10/107
5,033,984 A	7/1991	Shroeder	441/16
D465,169 S *	11/2002	Gregorich	D10/107

* cited by examiner

Primary Examiner—Catherine R. Oliver

(74) *Attorney, Agent, or Firm*—Donald R. Schoonover

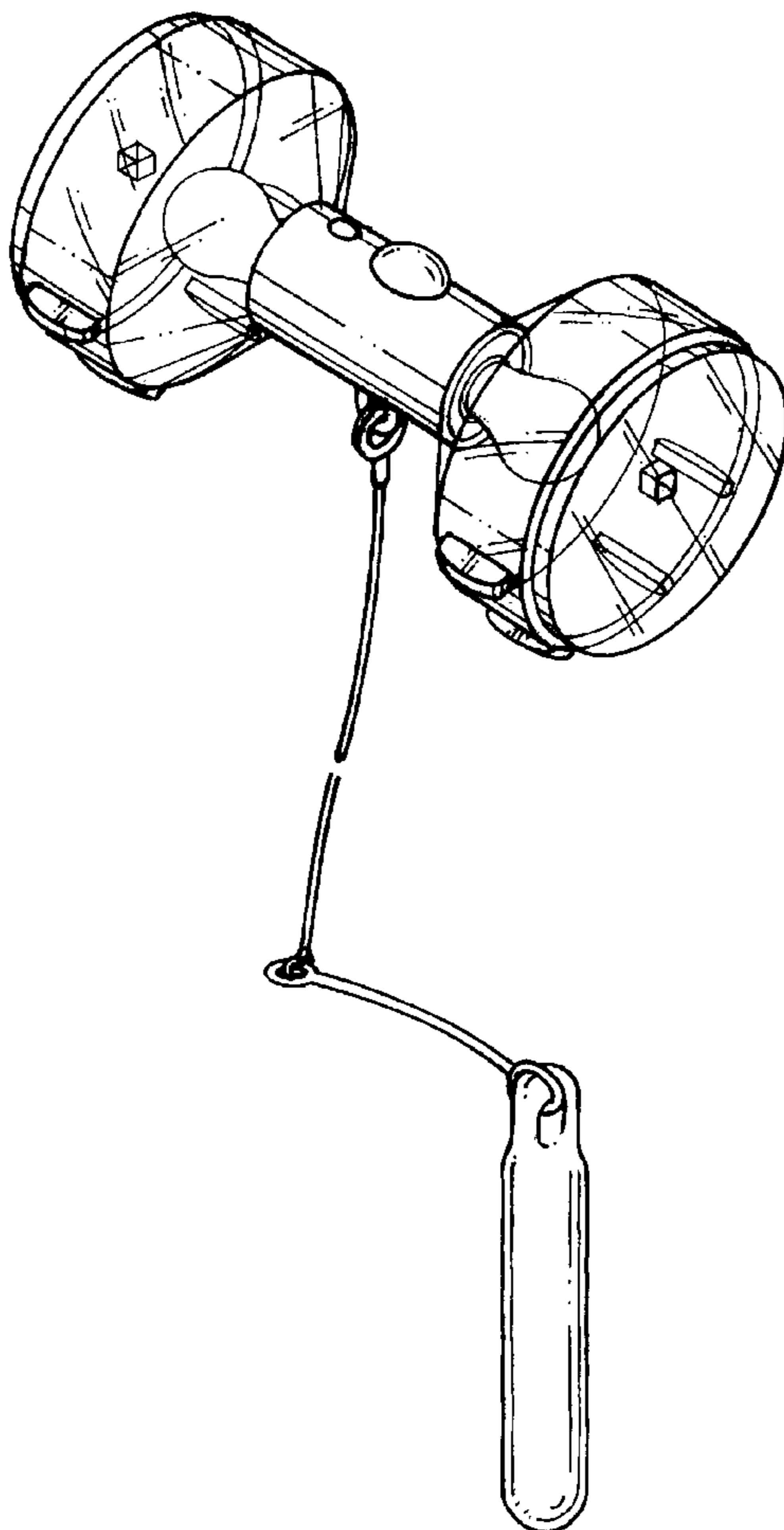
(57) **CLAIM**

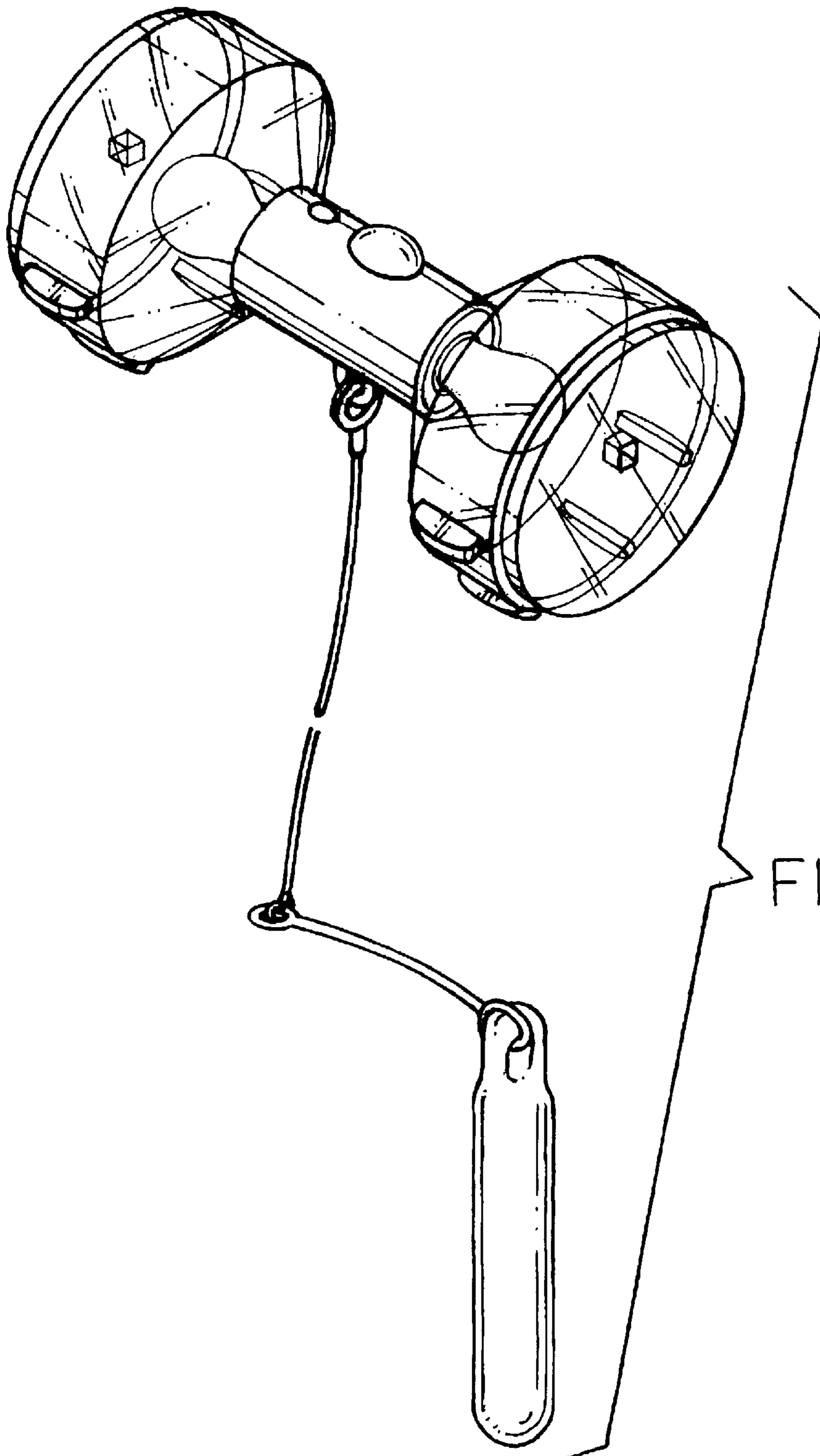
The ornamental design for a portable battery-powered lighted fishing buoy with anchor, as shown and described.

DESCRIPTION

FIG. 1 is a perspective view of a portable battery-powered lighted fishing buoy with anchor showing my new design; FIG. 2 is a front elevational view thereof; FIG. 3 is a rear elevational view thereof; FIG. 4 is a side elevational view, with the opposite side elevational view being a mirror image thereof; FIG. 5 is a top plan view thereof; and, FIG. 6 is a bottom plan view thereof. The anchor line is shown broken away to indicate indeterminate length.

1 Claim, 3 Drawing Sheets





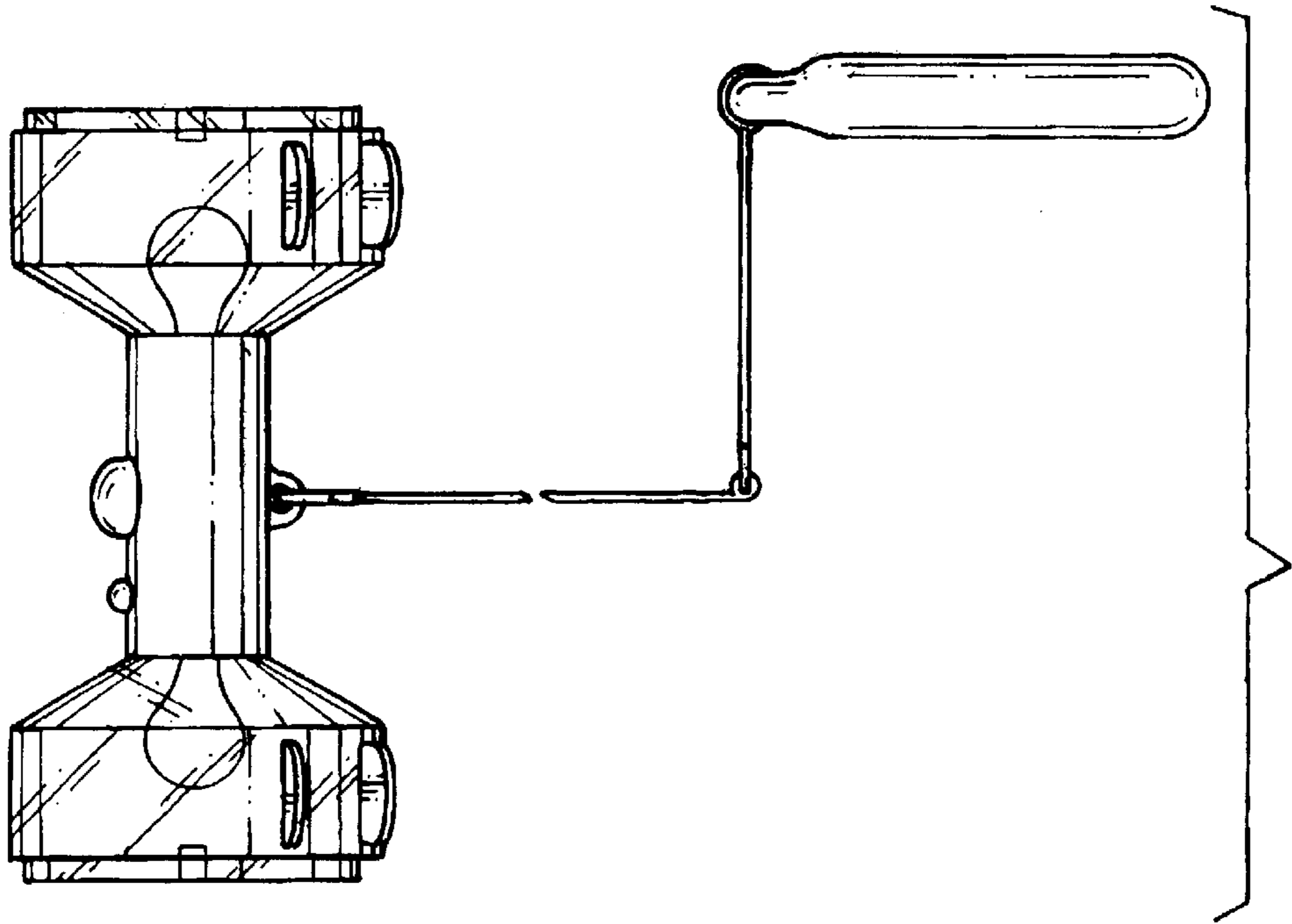


FIG. 4.

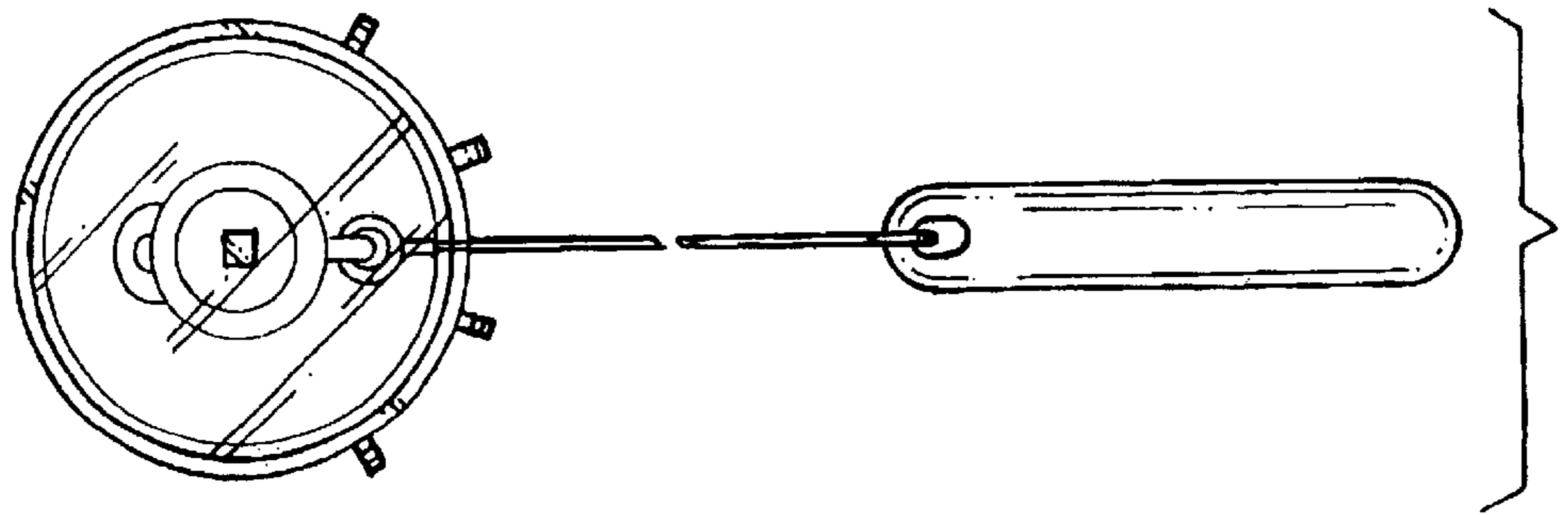


FIG. 2.

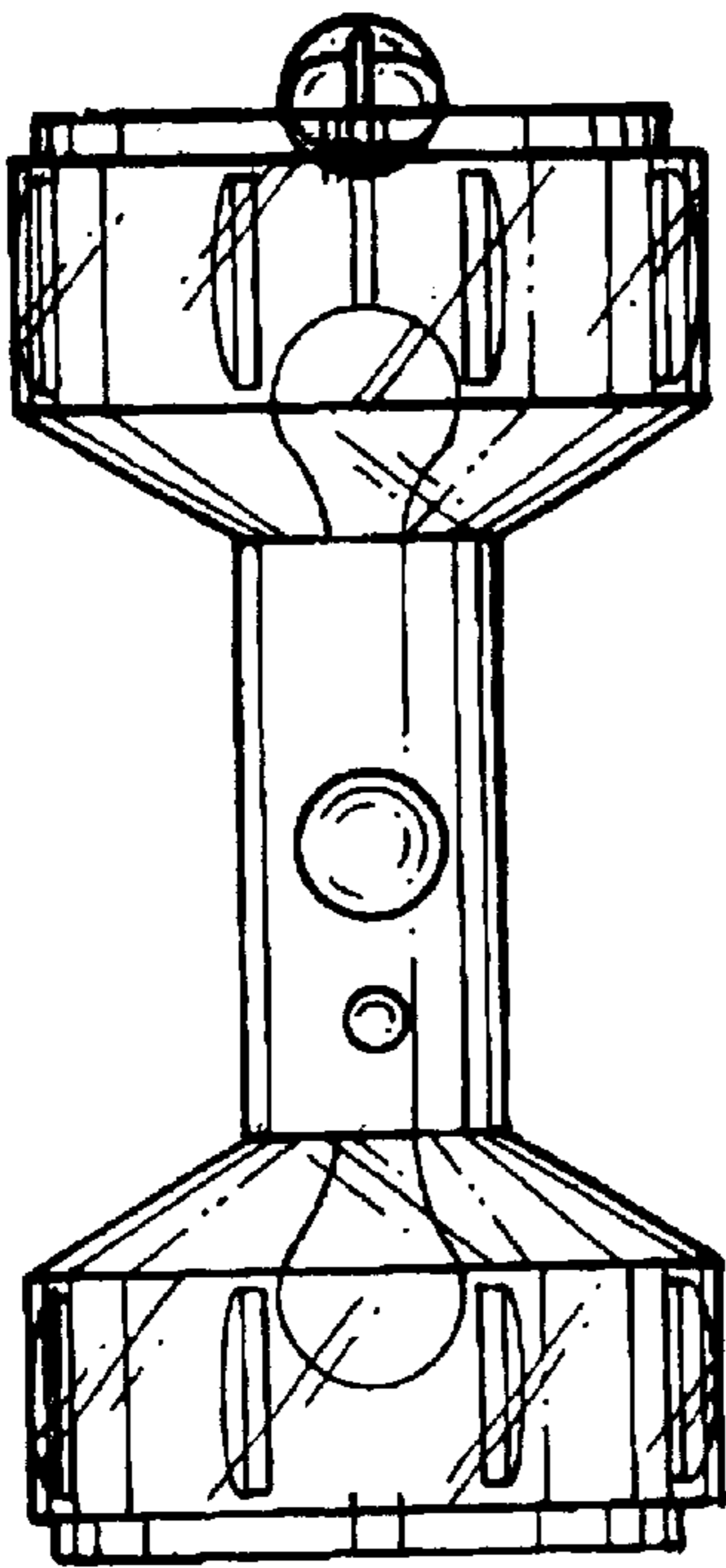
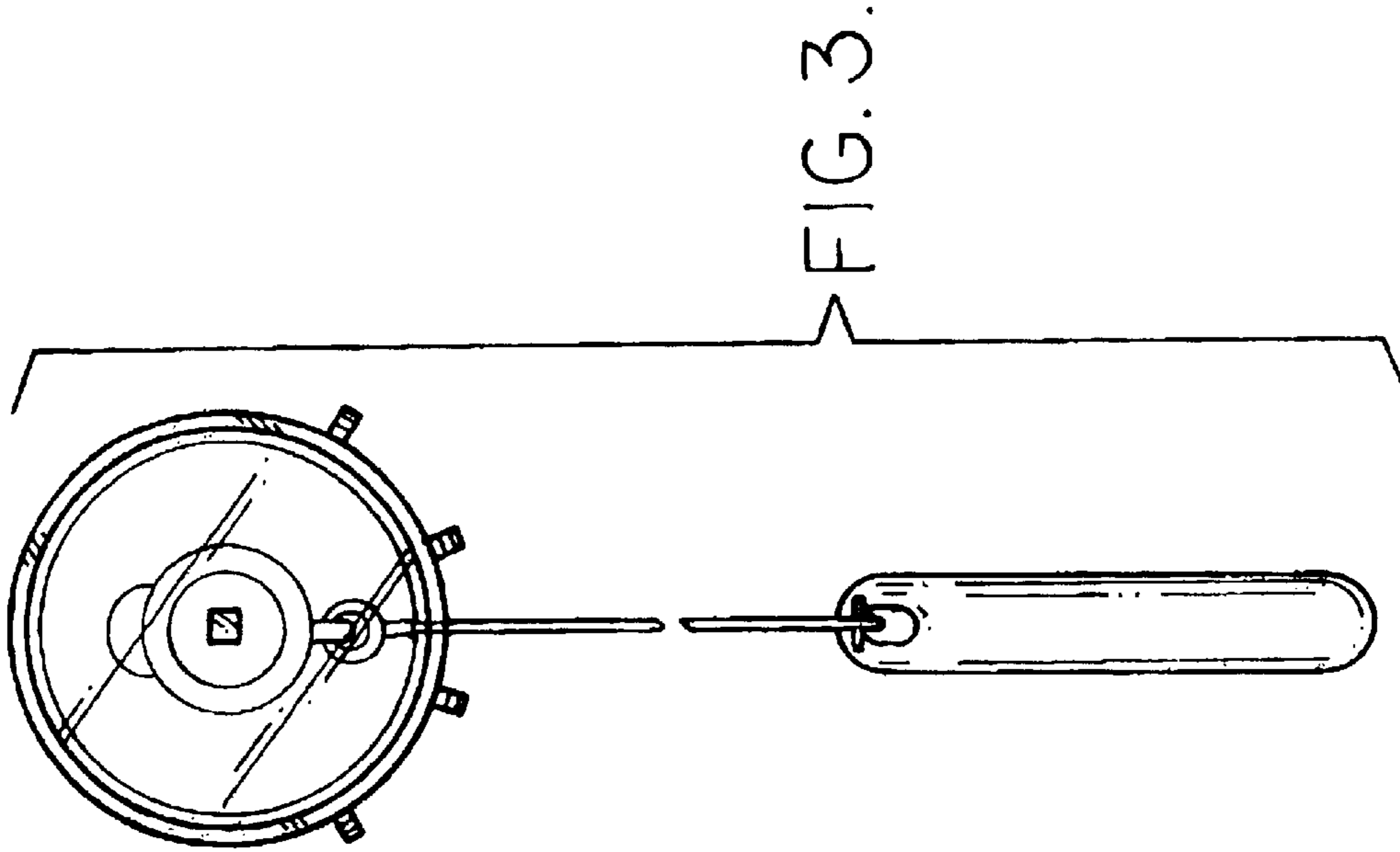


FIG. 5.

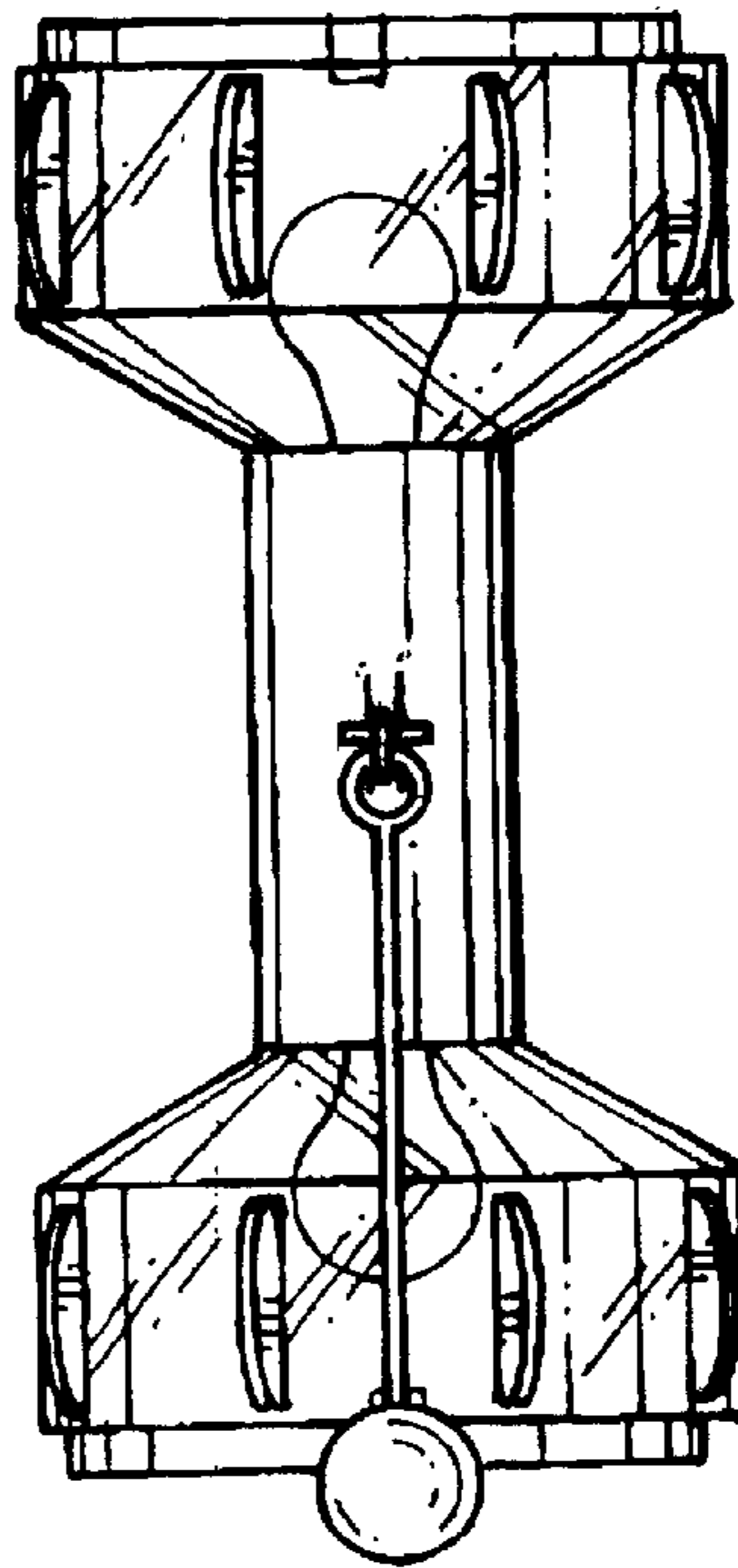


FIG. 6.